



**VS30/50 & VSX30/50**

STANDARD AND HAZARDOUS LOCATION  
3 & 5 HP SUBMERSIBLE GRINDER PUMPS

# SHREDDING WASTEWATER CHALLENGES

IN COMMERCIAL, INDUSTRIAL  
& MUNICIPAL APPLICATIONS



**PATENTED  
AXIAL CUTTER  
TECHNOLOGY**



**LEGENDARY SEAL  
LEAK DETECTION**

Hazardous Location  
Models Only



## MYERS® VS(X)30/50 SERIES

# SHREDDING WASTEWATER CHALLENGES

The Myers VS(X)30/50 grinders feature a patented axial cutter design to effectively macerate challenging sewage solids into a fine slurry.

These rugged 3 & 5 HP submersible centrifugal grinder pumps are available in standard and hazardous location construction making them ideal for commercial, industrial and municipal applications.

VS(X)30/50 grinder pumps can be installed in a variety of packaged systems.

Factory-assembled simplex or duplex packages with guide rail systems are available. Individual rail components are also available for installation in on-site concrete systems.



Watch the Axial Cutter in action at [www.femyers.com](http://www.femyers.com)



**POLY ROPE**



**SHOP RAG**



**SWIFFERS®**



**MOP HEAD**

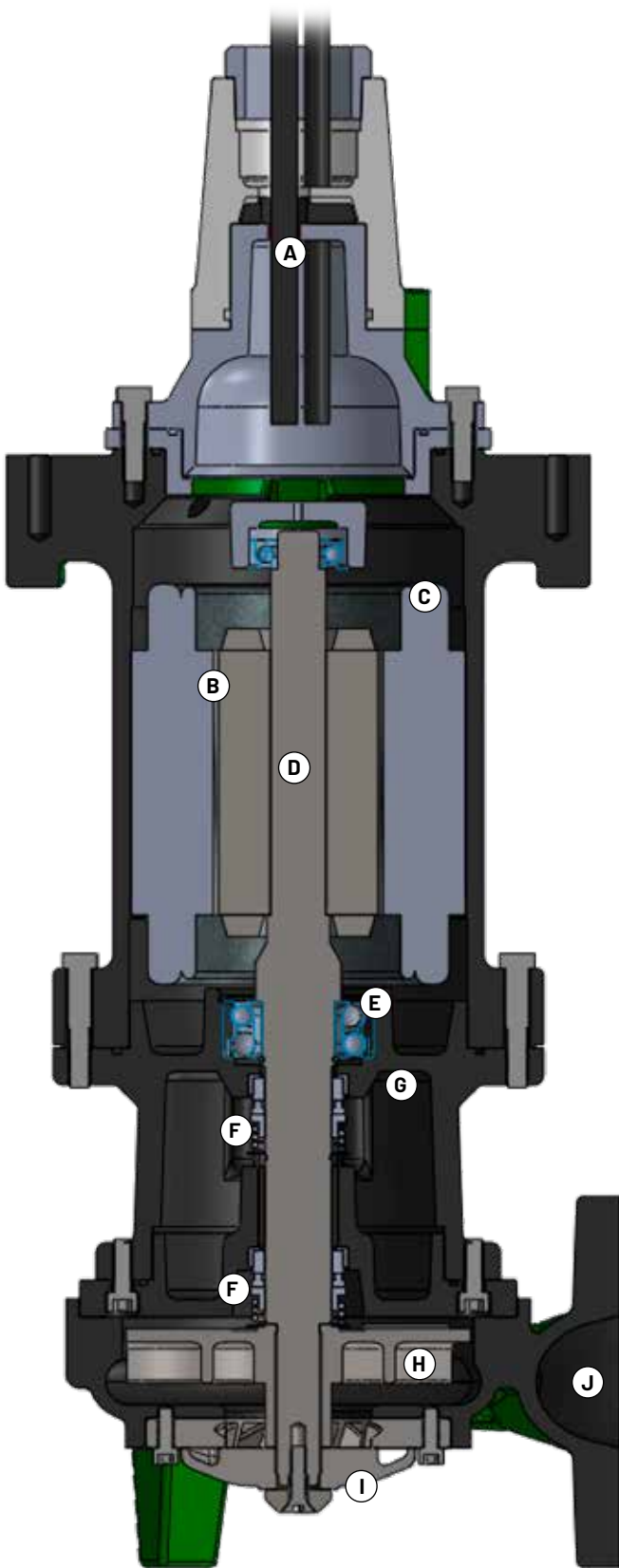
### Product Capabilities

Capacities To:	140 gpm	530 lpm
Heads To:	104 ft.	28.04 m
Liquids Handling	domestic raw sewage	
Intermittent Liquid Temp.	up to 140°F	up to 60°C
Winding Insulation Temp. (Class F)	311°F	155°C
Motor Electrical Data <small>(Single phase motors are capacitor start type. Myers control panels or capacitor kits are recommended for proper operation and warranty.)</small>	3-5 hp, 3450 rpm 1 ph - 230 volts; 60 Hz 3 ph - 200, 230, 460, 575 volts; 60 Hz	
Std. Third Party Approvals Optional Approvals	CSA Class I, Groups C & D (VSX30-50)	
Acceptable pH Range	6 - 9	
Specific Gravity	.9 - 1.1	
Viscosity	28 - 35 SSU	
Discharge (Flange Dia.)	2-1/2 in.	63.5 mm
Min. Sump Diameter		
Simplex	36 in.	91.4 cm
Duplex	48 in.	121.9 cm

### Construction Materials

Motor Housing, Seal Housing, Cord Cap and Volute Case	Cast Iron, Class 30, ASTM A48
Impeller	Semi-open, SST
Power Cord	S00W, W
Control Cord	S00W
Mechanical Seals: Standard Optional	Double Tandem Carbon and Ceramic Lower Tungsten Carbide
Pump, Motor Shaft	416 SST
Fasteners	300 Series SST
Cutting Mechanism	440 SST 58-60 Rockwell

# FEATURES



## A. Cable Entry System

- Cable jacket sealed by compression fitting and individual wires sealed by epoxy potting for double seal protection against water ingress

## B. Oil-Filled Motor

- Maximizes heat dissipation and provides constant bearing lubrication for long life
- High torque single phase motor with start/run capacitor or three-phase motors for assured starting under heavy loads

## C. Heat Sensor

- Protects motor from burnout due to excessive heat from any overload condition
- Automatically resets when motor has cooled

## D. Heavy 416 SST Shaft

- Corrosion resistant and reduces shaft deflection for long life

## E. Double Row Ball Bearings

- Lower double row angular ball bearings absorbs both axial and radial loads for increased durability

## F. Shaft Seals

- Located in oil-filled seal chamber for continuous lubrication
- Dual mechanical shaft seals for superior motor protection

## G. Seal Leak Probe

- Located in seal chamber instead of motor area for true early warning of water leaks. Allows corrective action before costly motor or bearing failure occurs
- Activates warning light in control panel

## H. Impeller

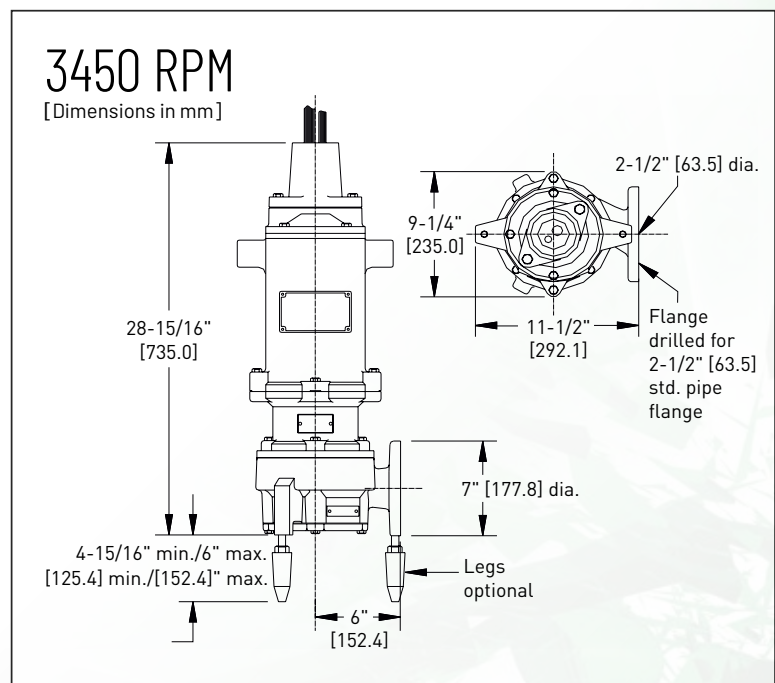
- SST, semi-open impeller provides improved performance and resists clogging
- Pump-out vanes help keep trash from seal and reduces pressure at seal face for longer life

## I. Axial Cutter System

- Constructed of 440 SST hardened to 57-60Rc for long life
- Easily replaceable without dismantling pump

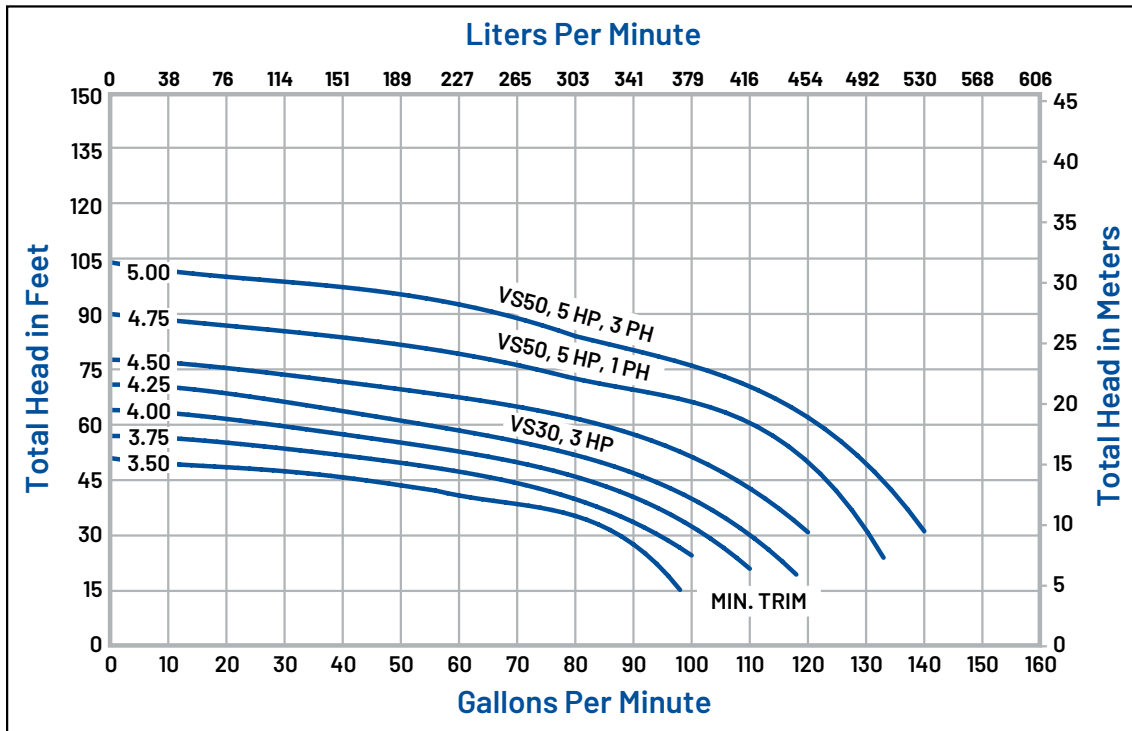
## J. Volute Case

- Cast iron, horizontal discharge
- Drilled for 2-1/2" pipe flange



# PERFORMANCE AND ELECTRICAL DATA

## VS50 – VS30 Performance



	V/Ph/Hz	HP	Start Amps	FL Amps	Full Load kW	Start KVA	FL KVA	NEC Code Letter	Service Factor	Model
Standard Flow	230/1/60	3	145	30.5	6.5	33.4	7.0	M	2.0	VS(X)30-21
	208/3/60	3	126	19.6	6.0	45.3	7.1	R	2.0	VS(X)30-03
	230/3/60	3	150	17.8	6.0	59.7	7.1	T	2.0	VS(X)30-23
	460/3/60	3	75	8.9	6.0	59.7	7.1	T	2.0	VS(X)30-43
	575/3/60	3	43	7.1	6.0	42.8	7.1	R	2.0	VS(X)30-53
	230/1/60	5	145	35	8.0	33.4	8.1	H	1.7	VS(X)50-21
	208/3/60	5	126	24.2	8.0	45.3	8.7	L	1.7	VS(X)50-03
	230/3/60	5	150	21.9	8.0	59.7	8.7	N	1.7	VS(X)50-23
	460/3/60	5	75	10.9	8.0	59.7	8.7	N	1.7	VS(X)50-43
	575/3/60	5	43	8.8	8.0	42.8	8.8	K	1.7	VS(X)50-53



1101 Myers Parkway  
Ashland, OH 44805  
USA  
PH: 855.274.8947

490 Pinebush Road  
Unit 4  
Cambridge, Ontario N1T 0A5  
Canada  
PH: 800.387.4386  
Orders Fax: 888.606.5484

[www.femyers.com](http://www.femyers.com)