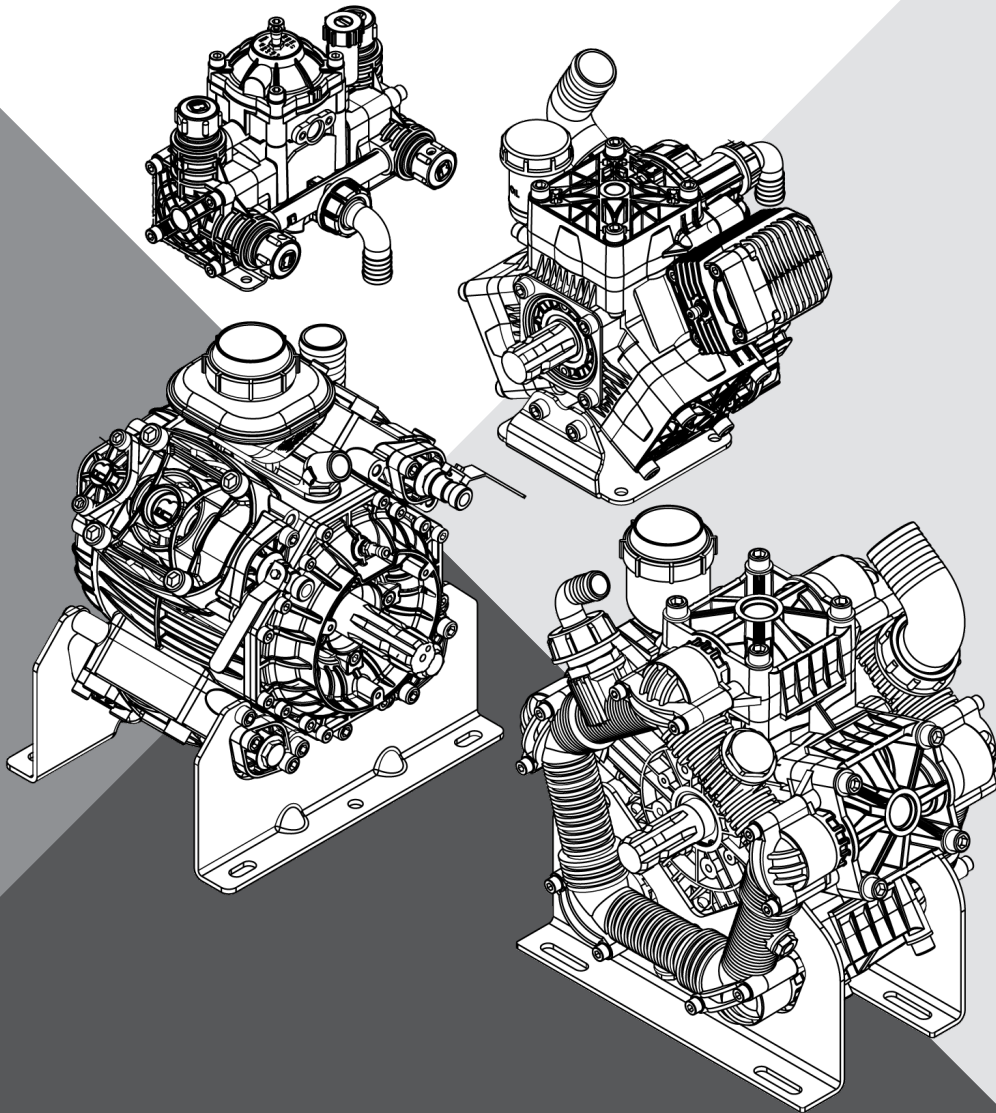


DIAPHRAGM PUMPS



REPAIR PARTS INDEX

pentair.com

TABLE OF CONTENTS

MODEL DP803 4

MODEL DP1003 6

MODEL DP2505 8

MODEL DP252 10

MODEL DP302 12

MODEL D303 14

MODEL D403 16

MODEL D503 18

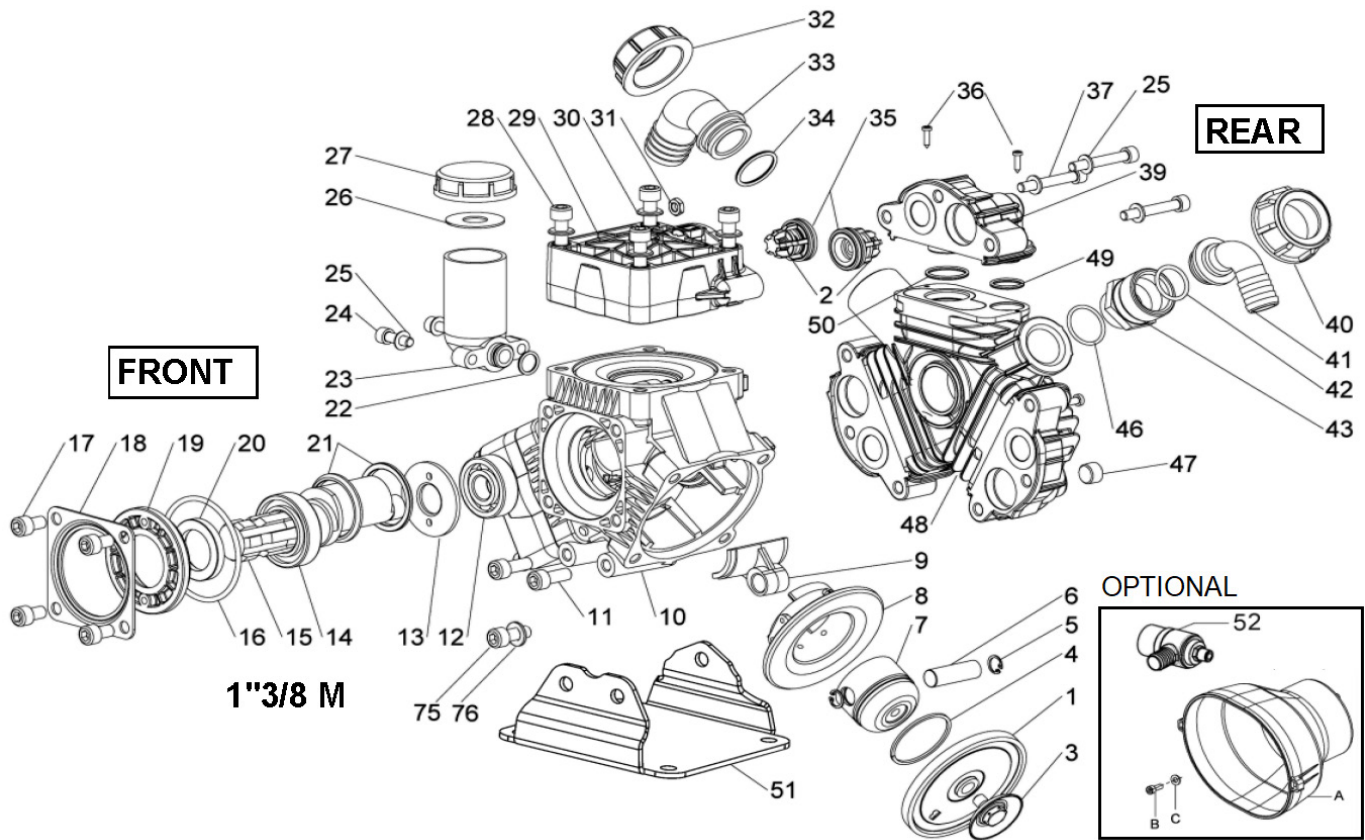
MODEL DP503 20

MODEL D1063 22

MODEL D1504 24

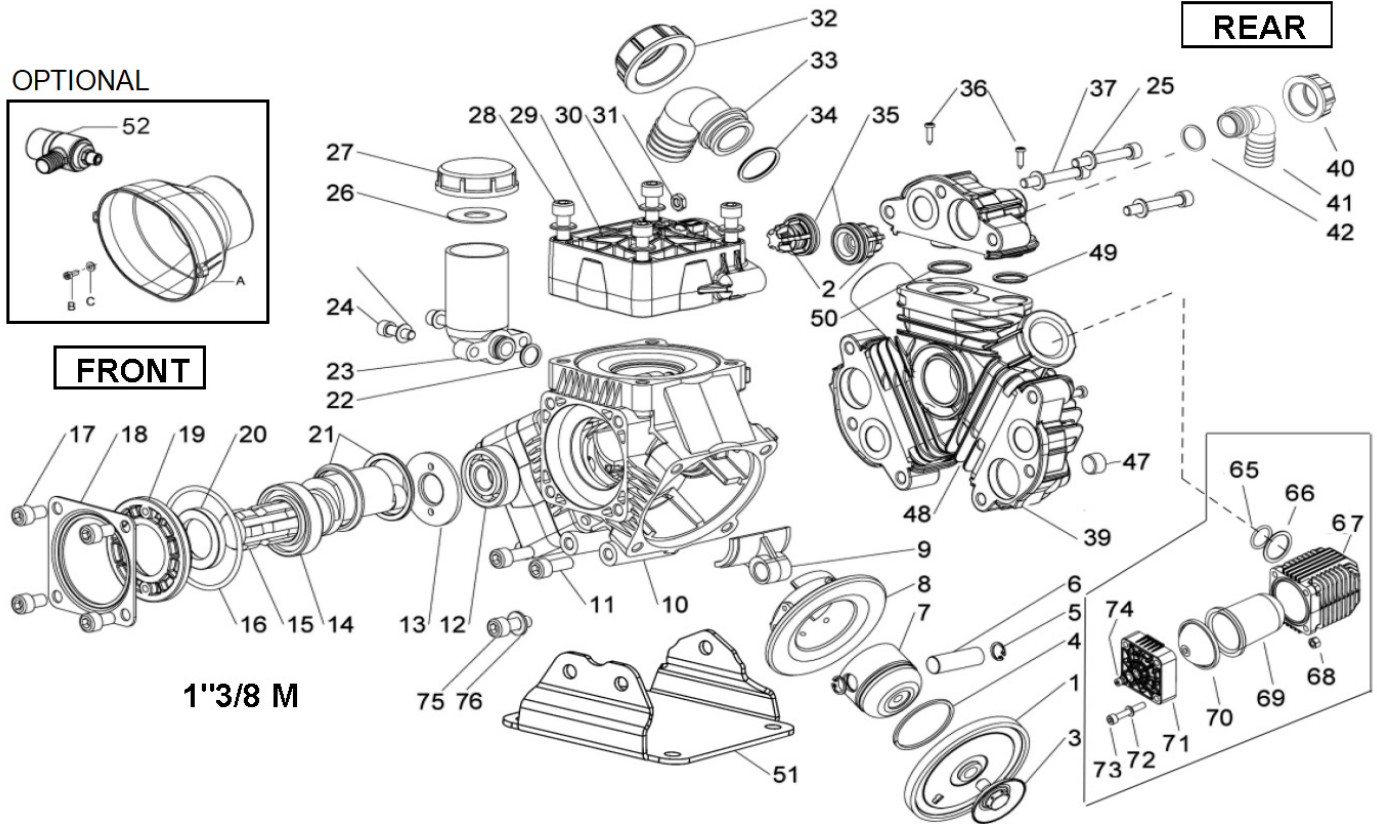
PAGE INTENTIONALLY LEFT BLANK

MODEL DP803



MODEL DP803

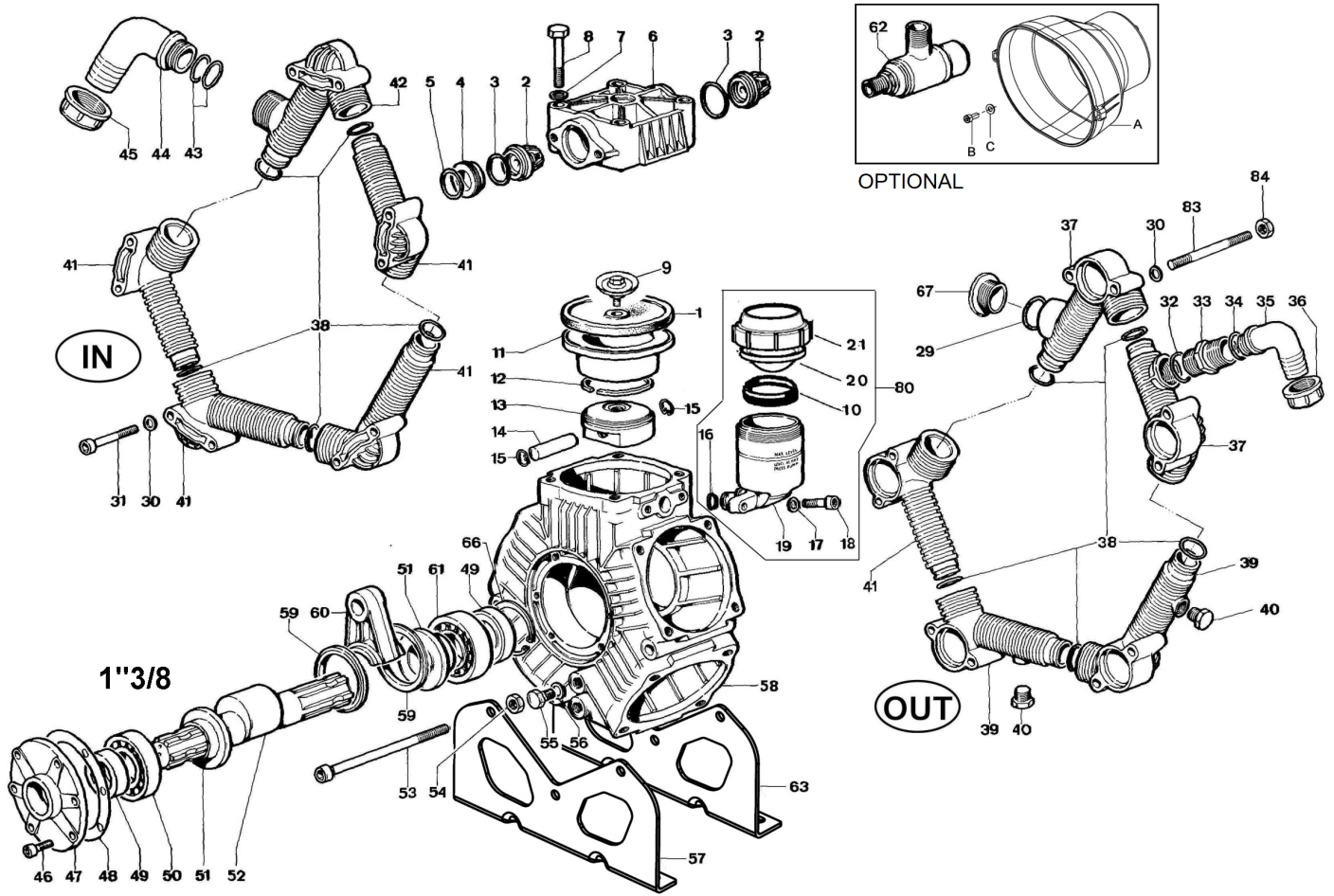
REFERENCE #	KIT	DESCRIPTION	QUANTITY IN KIT
1	9915-KIT2004	Pre-set Duramax piston diaphragm	3
2	9915-KIT2104	Valve assy	6
3-15	Contact your sales rep to order		
16	9915-KIT2204	O-ring	1
17-19	Contact your sales rep to order		
20	9915-KIT2204	Oil seal	1
21	Contact your sales rep to order		
22	9915-KIT3002	O-ring	1
23	9915-KIT3002	Oil filler	1
24,25	Contact your sales rep to order		
26	9915-KIT3002	Oil filler diaphragm	1
27	9915-KIT3002	Oil filler cap	1
28-31	Contact your sales rep to order		
32	9915-KIT3104	Wing nut	1
33	9915-KIT3104	Elbow fitting	1
34	9915-KIT3104	O-ring	1
35	9915-KIT2004 9915-KIT2104 9915-KIT2204	O-ring	6
36-39	Contact your sales rep to order		
40	9915-KIT3112	Wing nut	1
41	9915-KIT3112	Elbow fitting	1
42	9915-KIT3112	O-ring	1
43-76	Contact your sales rep to order		



MODEL DP1003

REFERENCE #	KIT	DESCRIPTION	QUANTITY IN KIT
1	9915-KIT2004	Pre-set Duramax piston diaphragm	3
2	9915-KIT2104	Valve assy	6
3 - 15	Contact your sales rep to order		
16	9915-KIT2204	O-ring	1
17, 18, 19	Contact your sales rep to order		
20	9915-KIT2204	Oil seal	1
21	Contact your sales rep to order		
22	9915-KIT3002	O-ring	1
23	9915-KIT3002	Oil filler	1
24, 25	Contact your sales rep to order		
26	9915-KIT3002	Oil filler diaphragm	1
27	9915-KIT3002	Oil filler cap	1
28-31	Contact your sales rep to order		
32	9915-KIT3104	Wing nut	1
33	9915-KIT3104	Elbow fitting	1
34	9915-KIT3104	O-ring	1
35	9915-KIT2004 9915-KIT2104 9915-KIT2204	O-ring	6
36 -39	Contact your sales rep to order		
40	9915-KIT3112	Wing nut	1
41	9915-KIT3112	Elbow fitting	1
42	9915-KIT3112	O-ring	1
43-76	Contact your sales rep to order		

MODEL DP2505

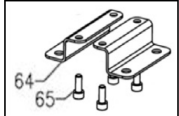


MODEL DP2505

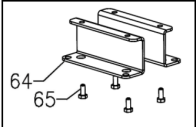
REFERENCE #	KIT	DESCRIPTION	QUANTITY IN KIT
1	9915-KIT2005	Pre-set Duramax piston diaphragm	5
2	9915-KIT2105	Value Assy	10
3	9915-KIT2005 9915-KIT2105 9915-KIT2205	O-ring	10
4	Contact your sales rep to order		
5	9915-KIT2105 9915-KIT2205	O-ring	5
6-9	Contact your sales rep to order		
10	9915-KIT3003	Diaphragm spacer	1
11-15	Contact your sales rep to order		
16	9915-KIT3003	O-ring	1
17,28	Contact your sales rep to order		
19	9915-KIT3003	Oil filler	1
20	9915-KIT3003	Oil filler diaphragm	1
21	9915-KIT3003	Oil filler cap	1
22-33	Contact your sales rep to order		
34	9915-KIT3113	O-ring	1
35	9915-KIT3113	Elbow fitting	1
36	9915-KIT3113	Wing nut	1
37	Contact your sales rep to order		
38	9915-KIT2205	O-ring	10
39-42	Contact your sales rep to order		
43	9915-KIT3106	O-ring	1
44	9915-KIT3106	Elbow fitting	1
45	9915-KIT3106	Wing nut	1
46,47	Contact your sales rep to order		
48	9915-KIT2205	Cover gasket	1
49	9915-KIT2205	Oil seal	2
50-84	Contact your sales rep to order		

MODEL DP252

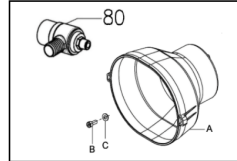
INCLUDED WITH DP252



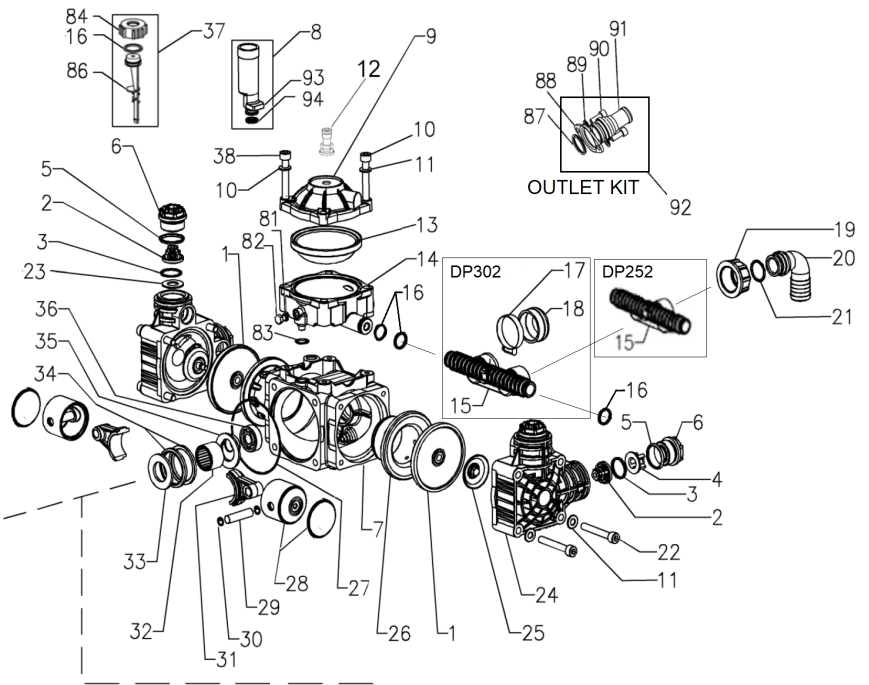
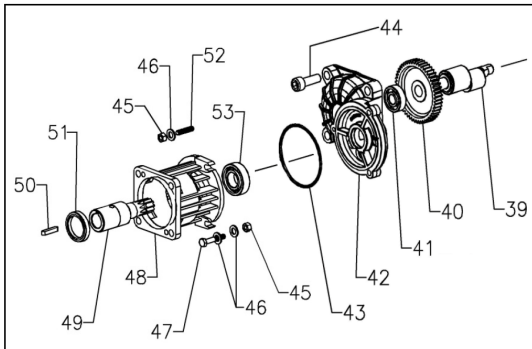
INCLUDED WITH DP302/DP302AP-A



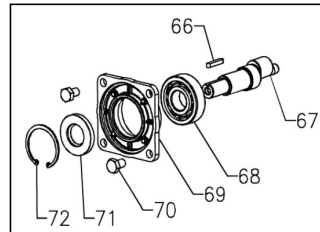
OPTIONAL



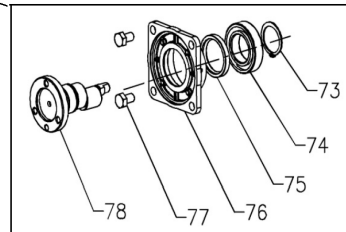
FOR GRGI MODELS (DP252/DP302)



FOR DP252 MODEL



FOR DP302/DP302AP-A MODEL

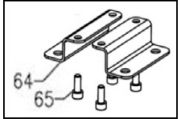


MODEL DP252

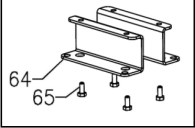
REFERENCE #	KIT	DESCRIPTION	QUANTITY IN KIT
1	9915-KIT2001	Pre-set Duramax piston diaphragm	2
2	9915-KIT2101	Valve Assy	4
3	9915-KIT2001 9915-KIT2101 9915-KIT2201	O-ring	4
4	9915-KIT2101	Spacer inlet valve	2
5	9915-KIT2001 9915-KIT2101	O-ring	4
6, 7	Contact your sales rep to order		
8	Reference #8 includes numbers 16, 82, 84, 90, 91		
9-12	Contact your sales rep to order		
13	9915-KIT2001	Dampner diaphragm	1
14, 15	Contact your sales rep to order		
16	9915-KIT2001 9915-KIT2201 9915-KIT3001	O-ring	4
17, 18	Contact your sales rep to order		
19	9915-KIT3101	Wing nut	1
20	9915-KIT3101	Elbow fitting	1
21	9915-KIT3101	O-ring	1
22-26	Contact your sales rep to order		
27	915-KIT2201	O-ring	1
28-42	Contact your sales rep to order		
43	9915-KIT2201	O-ring	1
44-80	Contact your sales rep to order		
81	9915-KIT2201	O-ring	1
82	9915-KIT3001	Oil filler cap	1
83	9915-KIT2201	O-ring	1
84	9915-KIT3001	Oil level dipstick	1
85	Reference #85 includes numbers 86, 87, 88, 89		
86	9915-KIT3108	O-ring	1
87	9915-KIT3108	Fitting	1
88	9915-KIT3108	Washer	2
89	9915-KIT3108	Screw	2
90	9915-KIT3001	Oil filler	1
91	9915-KIT3001	O-ring	1
92, 93	Contact your sales rep to order		
94	9915-KIT2201	O-ring	1

MODEL DP302

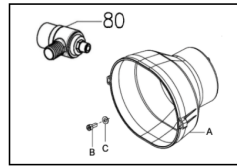
INCLUDED WITH DP252



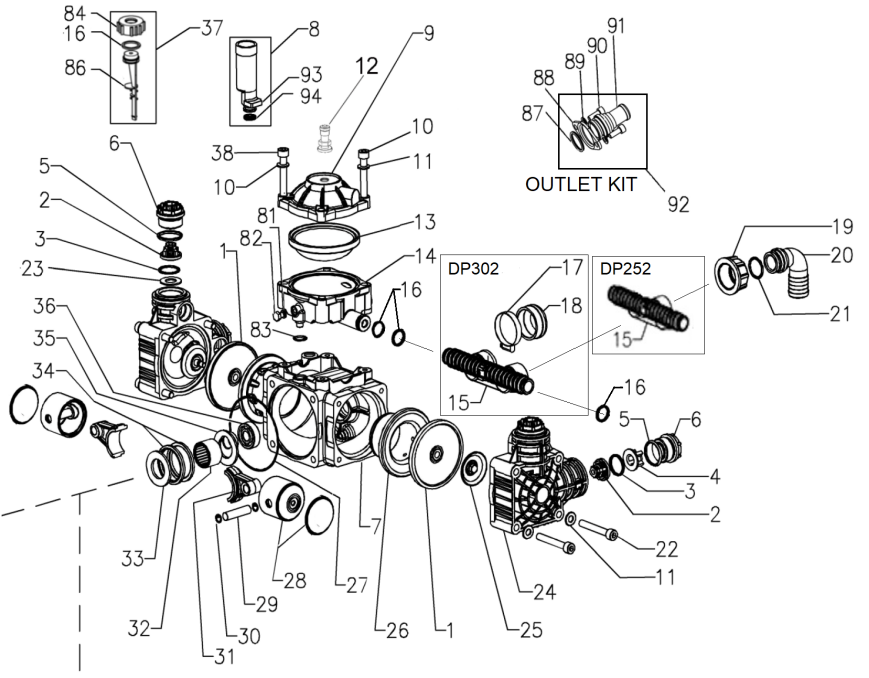
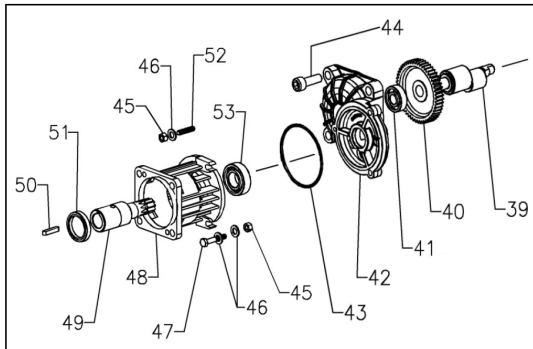
INCLUDED WITH DP302/DP302AP-A



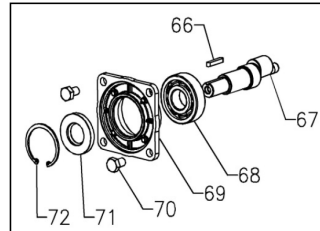
OPTIONAL



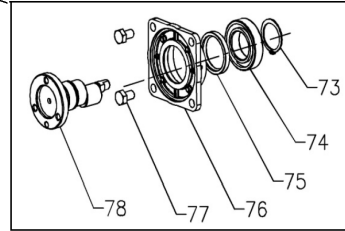
FOR GRGI MODELS (DP252/DP302)



FOR DP252 MODEL

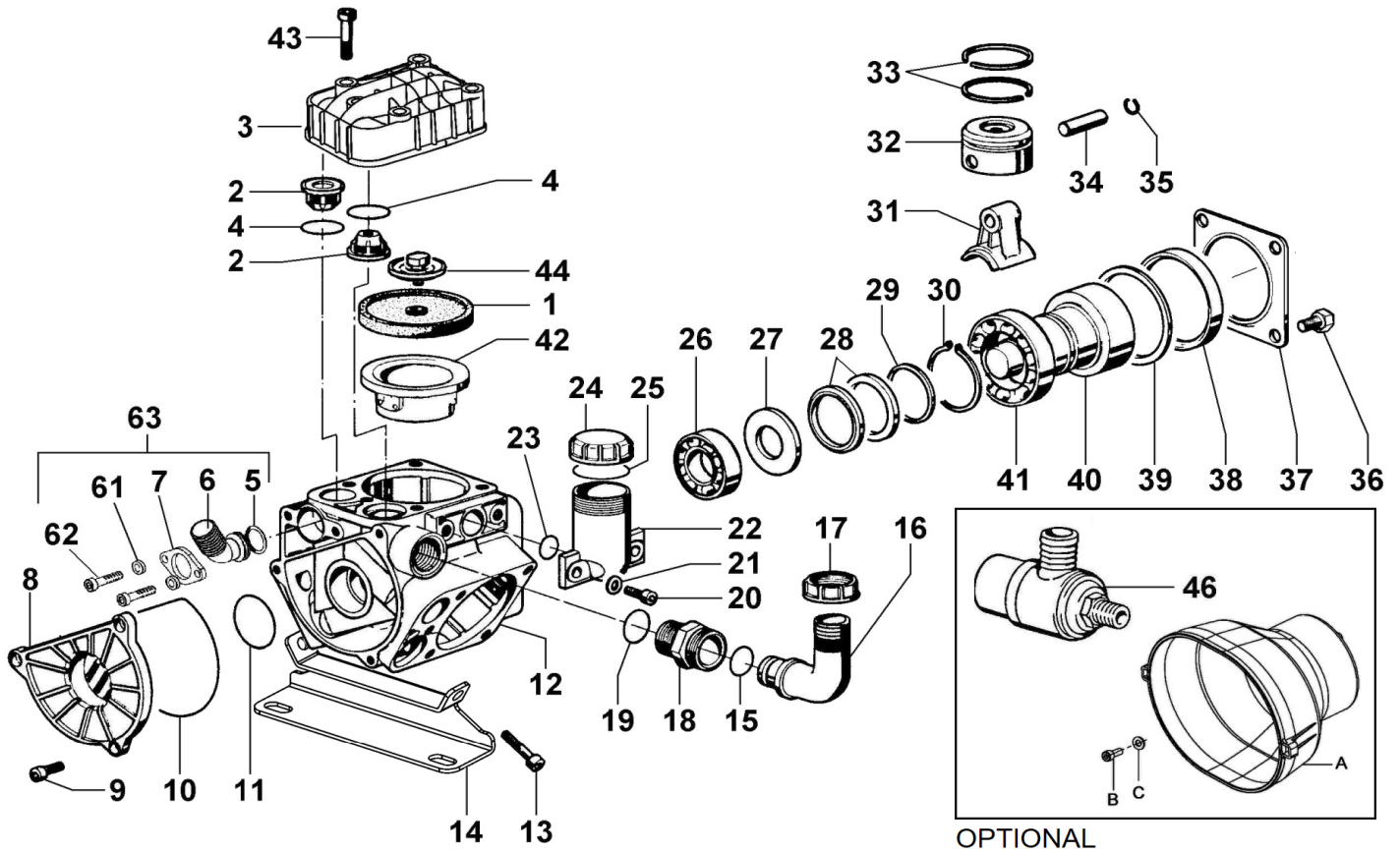


FOR DP302/DP302AP-A MODEL



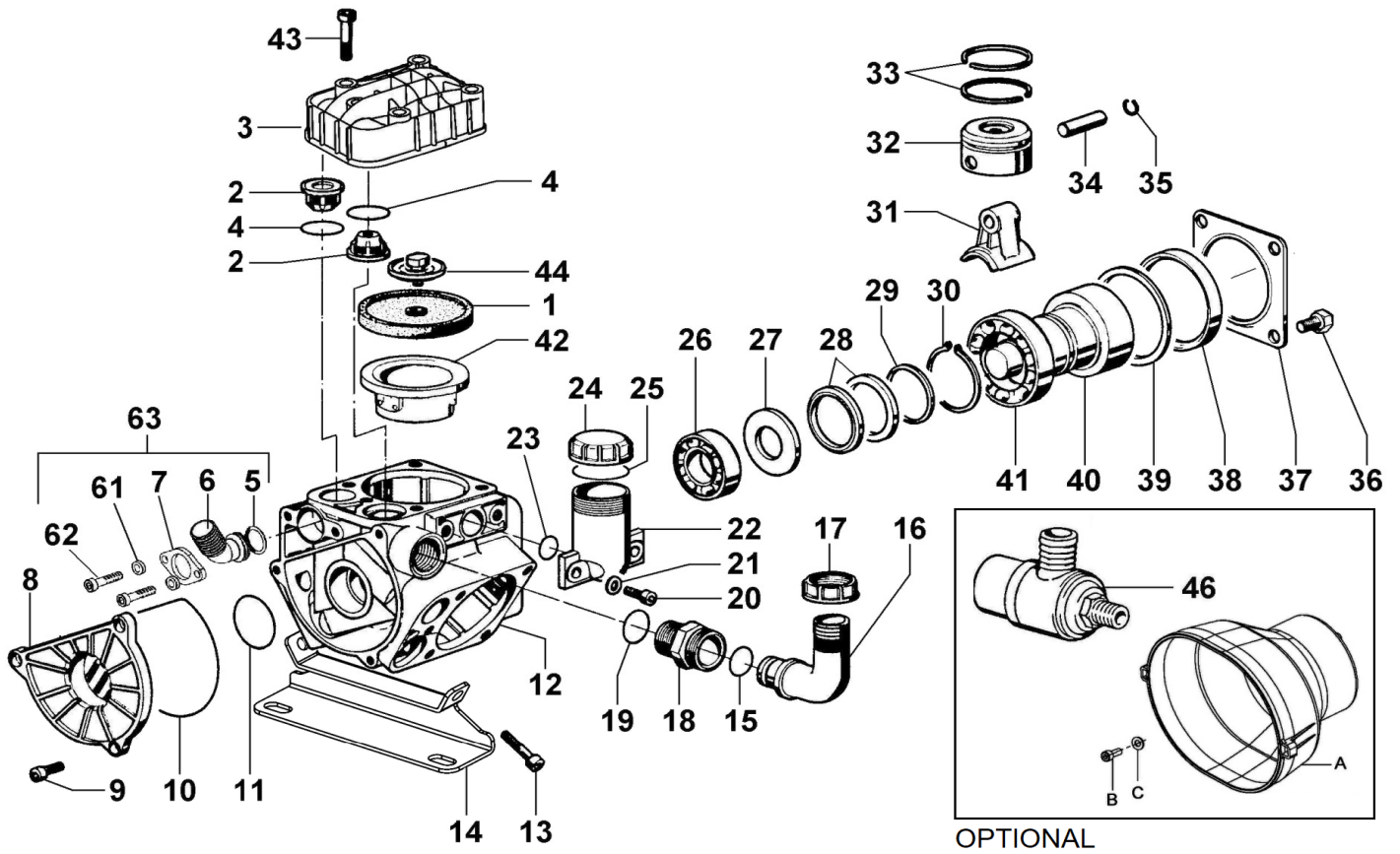
MODEL DP302

REFERENCE #	KIT	DESCRIPTION	QUANTITY IN KIT
1	9915-KIT2001	Pre-set Duramax piston diaphragm	2
2	9915-KIT2101	Valve Assy	4
3	9915-KIT2001 9915-KIT2101 9915-KIT2201	O-ring	4
4	9915-KIT2101	Spacer inlet valve	2
5	9915-KIT2001 9915-KIT2101	O-ring	4
6, 7	Contact your sales rep to order		
8	Reference #8 includes numbers 16, 84, 86, 93, 94		
9-12	Contact your sales rep to order		
13	9915-KIT2001	Dampner diaphragm	1
14, 15	Contact your sales rep to order		
16	9915-KIT2001 9915-KIT2201 9915-KIT3001	O-ring	4
17, 18	Contact your sales rep to order		
19	9915-KIT3101	Wing nut	1
20	9915-KIT3101	Elbow fitting	1
21	9915-KIT3101	O-ring	1
22-26	Contact your sales rep to order		
27	915-KIT2201	O-ring	1
28-42	Contact your sales rep to order		
43	9915-KIT2201	O-ring	1
44-78	Contact your sales rep to order		
81	9915-KIT2201	O-ring	1
82	Contact your sales rep to order		
83	9915-KIT2201	O-ring	1
84	9915-KIT3001	Oil filler cap	1
85	Contact your sales rep to order		
86	9915-KIT3001	Oil level dipstick	1
87	9915-KIT3109	O-ring	1
88	9915-KIT3109	Flange	1
89	9915-KIT3109	Washer	1
90	9915-KIT3109	Screw	1
91	9915-KIT3109	Fitting	1
92	Reference #92 includes numbers 87, 88, 89, 90, 91		
93	9915-KIT3001	Oil filler	1
94	9915-KIT2201 9915-KIT3001	O-ring	1



MODEL 9915-D303

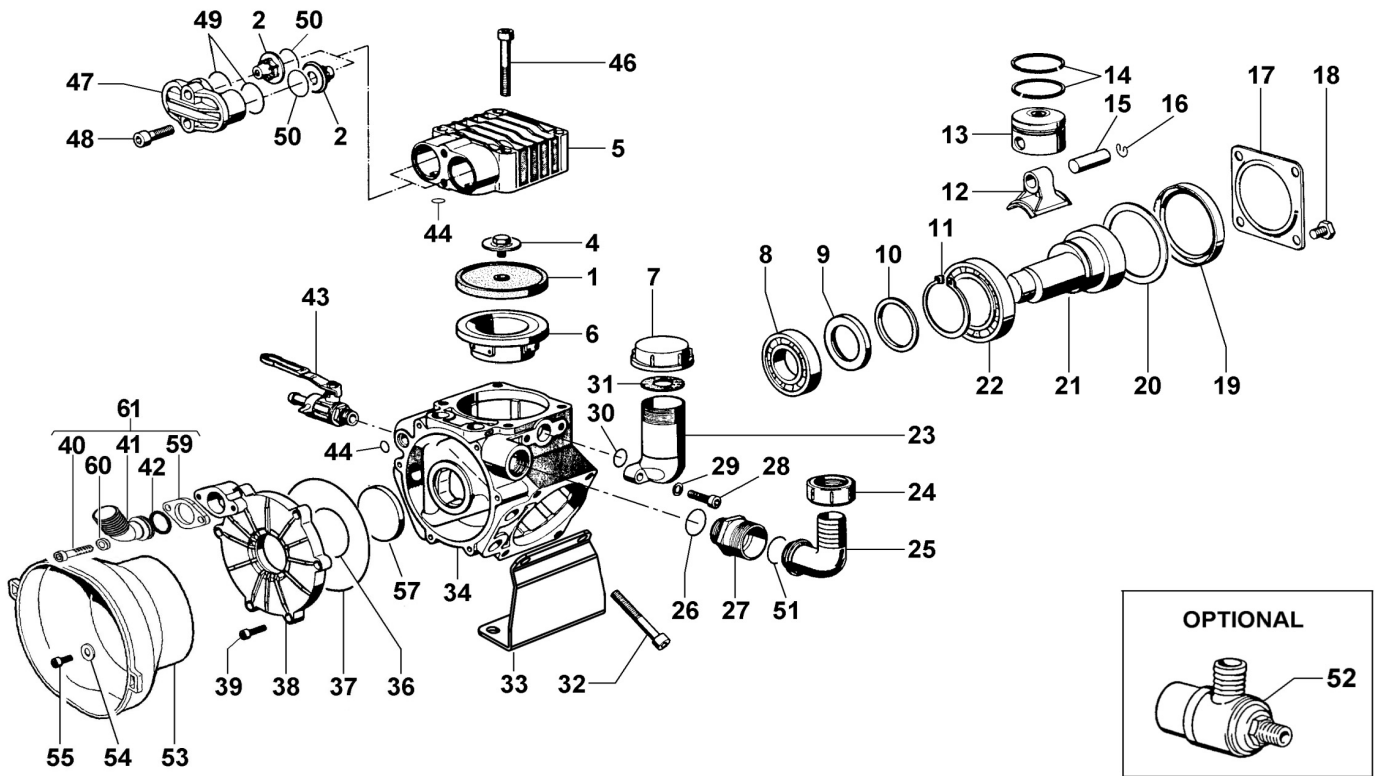
REFERENCE #	KIT	DESCRIPTION	QUANTITY IN KIT
1	9915-KIT2002	Duramax piston diaphragm	3
2	9915-KIT2102	Valve assy	6
3	Contact your sales rep to order		
4	9915-KIT2002 9915-KIT2102 9915-KIT2202	Valve seal	6
5	9915-KIT3110	O-ring	1
6	9915-KIT3110	Adjustable fitting	1
7	9915-KIT3110	Flange	1
8, 9	Contact your sales rep to order		
10	9915-KIT2202	O-ring	
11	9915-KIT2202	O-ring	1
12-14	Contact your sales rep to order		
15	9915-KIT3102	O-ring	1
16	9915-KIT3102	Elbow fitting	1
17	9915-KIT3102	Wing nut	1
18-21	Contact your sales rep to order		
22	9915-KIT3002	Oil filler	1
23	9915-KIT3002	O-ring	1
24	9915-KIT3002	Oil filler cap	1
25	9915-KIT3002	Oil filler diaphragm	1
26-37	Contact your sales rep to order		
38	9915-KIT2202	Oil seal	1
39-46	Contact your sales rep to order		
61	9915-KIT3110	Washer	2
62	9915-KIT3110	Screw	2
63	Contact your sales rep to order		



MODEL 9915-D403

REFERENCE #	KIT	DESCRIPTION	QUANTITY IN KIT
1	9915-KIT2002	Duramax piston diaphragm	3
2	9915-KIT2102	Valve assy	6
3	Contact your sales rep to order		
4	9915-KIT2002 9915-KIT2102 9915-KIT2202	Valve seal	6
5	9915-KIT3110	O-ring	1
6	9915-KIT3110	Adjustable fitting	1
7	9915-KIT3110	Flange	1
8, 9	Contact your sales rep to order		
10	9915-KIT2202	O-ring	1
11	9915-KIT2202	O-ring	1
12-14	Contact your sales rep to order		
15	9915-KIT3102	O-ring	1
16	9915-KIT3102	Elbow fitting	1
17	9915-KIT3102	Wing nut	1
18-21	Contact your sales rep to order		
22	9915-KIT3002	Oil filler	1
23	9915-KIT3002	O-ring	1
24	9915-KIT3002	Oil filler cap	1
25	9915-KIT3002	Oil filler diaphragm	1
26-37	Contact your sales rep to order		
38	9915-KIT2202	Oil seal	1
39-48	Contact your sales rep to order		
61	9915-KIT3110	Washer	2
62	9915-KIT3110	Screw	2
63	Contact your sales rep to order		

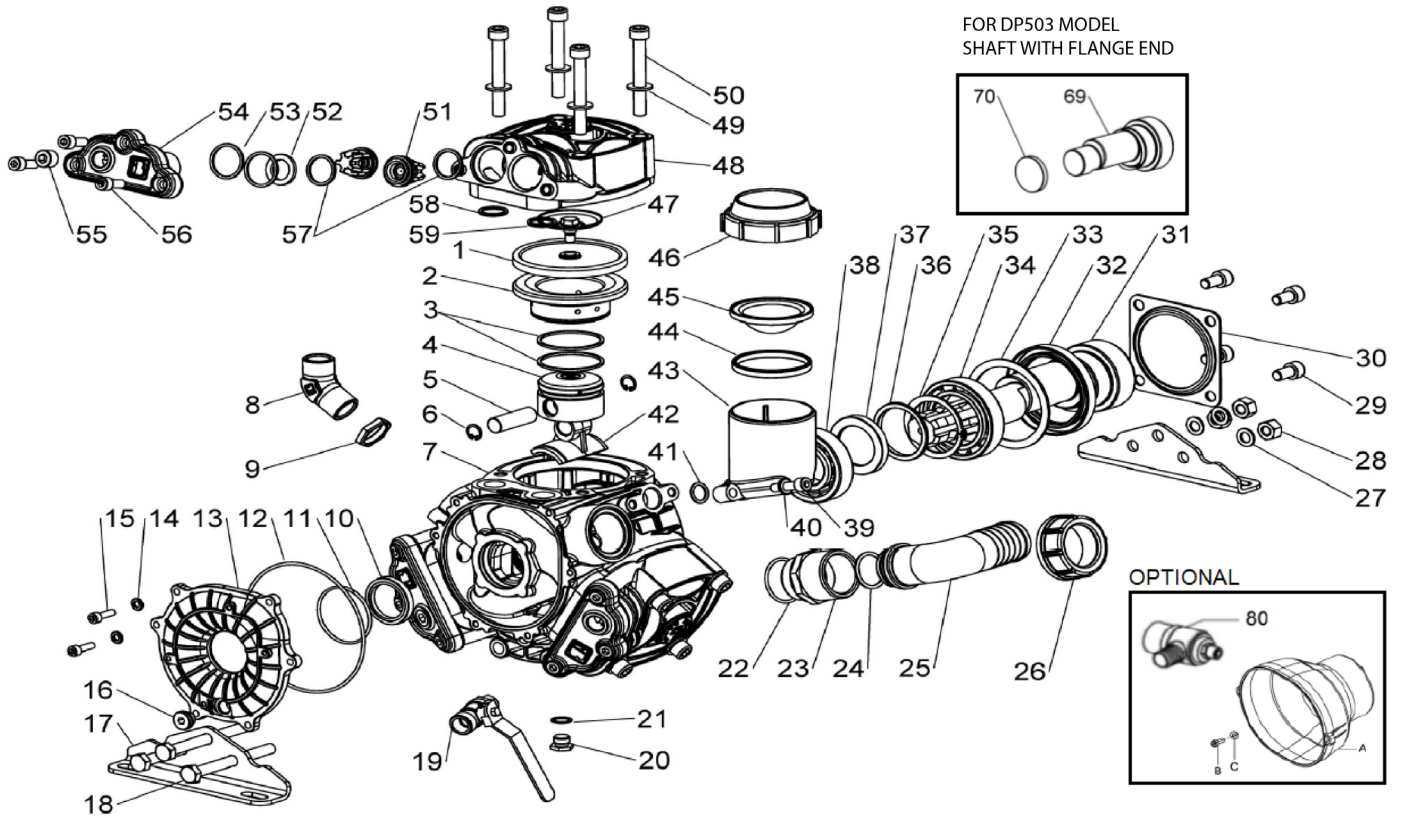
MODEL 9915-D503



MODEL 9915-D503

REFERENCE #	KIT	DESCRIPTION	QUANTITY IN KIT
1	9915-KIT2008	Duramax piston diaphragm	3
2	9915-KIT2108	Valve assy	6
3-6	Contact your sales rep to order		
7	9915-KIT3002	Oil filler cap	1
8-18	Contact your sales rep to order		
19	9915-KIT2208	Oil seal	1
20-22	Contact your sales rep to order		
23	9915-KIT3002	Oil filler	1
24	9915-KIT3103	Wing nut	1
25	9915-KIT3103	Elbow fitting	1
26-29	Contact your sales rep to order		
30	9915-KIT3002	O-ring	1
31	9915-KIT3002	Oil filler diaphragm	1
32-35	Contact your sales rep to order		
36	9915-KIT2208	O-ring	1
37	9915-KIT2208	O-ring	1
38, 39	Contact your sales rep to order		
40	9915-KIT3111	Screw	2
41	9915-KIT3111	Adjustable fitting	1
42	9915-KIT3111	O-ring	1
43	Contact your sales rep to order		
44	9915-KIT2008 9915-KIT2208	O-ring	6
45-48	Contact your sales rep to order		
49	9915-KIT2108 9915-KIT2208	O-ring	6
50	9915-KIT2108 9915-KIT2208	O-ring	6
51	9915-KIT3103	O-ring	1
52-57	Contact your sales rep to order		
59	9915-KIT3111	Flange	1
60	9915-KIT3111	Washer	2
61	Reference #61 includes numbers 40, 41, 42, 59, 60		

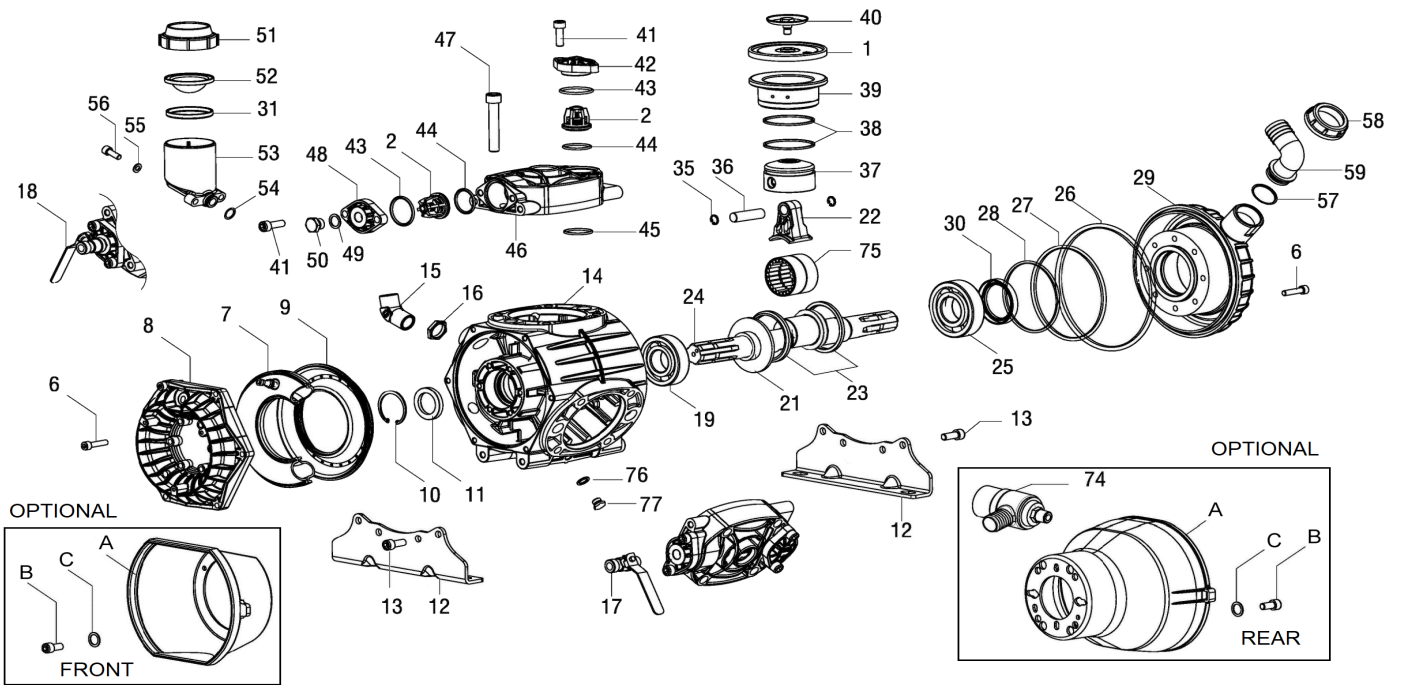
MODEL 9915-DP503



MODEL 9915-DP503

REFERENCE #	KIT	DESCRIPTION	QUANTITY IN KIT
1	9915-KIT2003	Pre-set Duramax piston diaphragm	3
2-7	Contact your sales rep to order		
8	9915-KIT3114	Elbow fitting	1
9	9915-KIT3114	Nut	1
10	9915-KIT2203	Oil seal	1
11	9915-KIT2203	O-ring	1
12	9915-KIT2203	O-ring	1
13-20	Contact your sales rep to order		
21	9915-KIT2203	Gasket	1
22, 23	Contact your sales rep to order		
24	9915-KIT3107	O-ring	1
25	9915-KIT3107	Elbow fitting	1
26	9915-KIT3107	Wing nut	1
27-31	Contact your sales rep to order		
32	9915-KIT2203	Oil seal	1
33-40	Contact your sales rep to order		
41	9915-KIT3003	O-ring	1
42	Contact your sales rep to order		
43	9915-KIT3003	Oil filler	1
44	9915-KIT3003	Diaphragm spacer	1
45	9915-KIT3003	Oil filler diaphragm	1
46	9915-KIT3003	Oil filler cap	1
47-50	Contact your sales rep to order		
51	9915-KIT2103	Valve assy	6
52	9915-KIT2103	Spacer	3
53	9915-KIT2103 9915-KIT2203	O-ring	6
54 - 56	Contact your sales rep to order		
57	9915-KIT2103 9915-KIT2203	O-ring	6
58	9915-KIT2003 99150KIT2203	O-ring	3
59	9915-KIT2003 9915-KIT2203	O-ring	3
69	Contact your sales rep to order		
70	9915-KIT2203	Cover	1
80	Contact your sales rep to order		

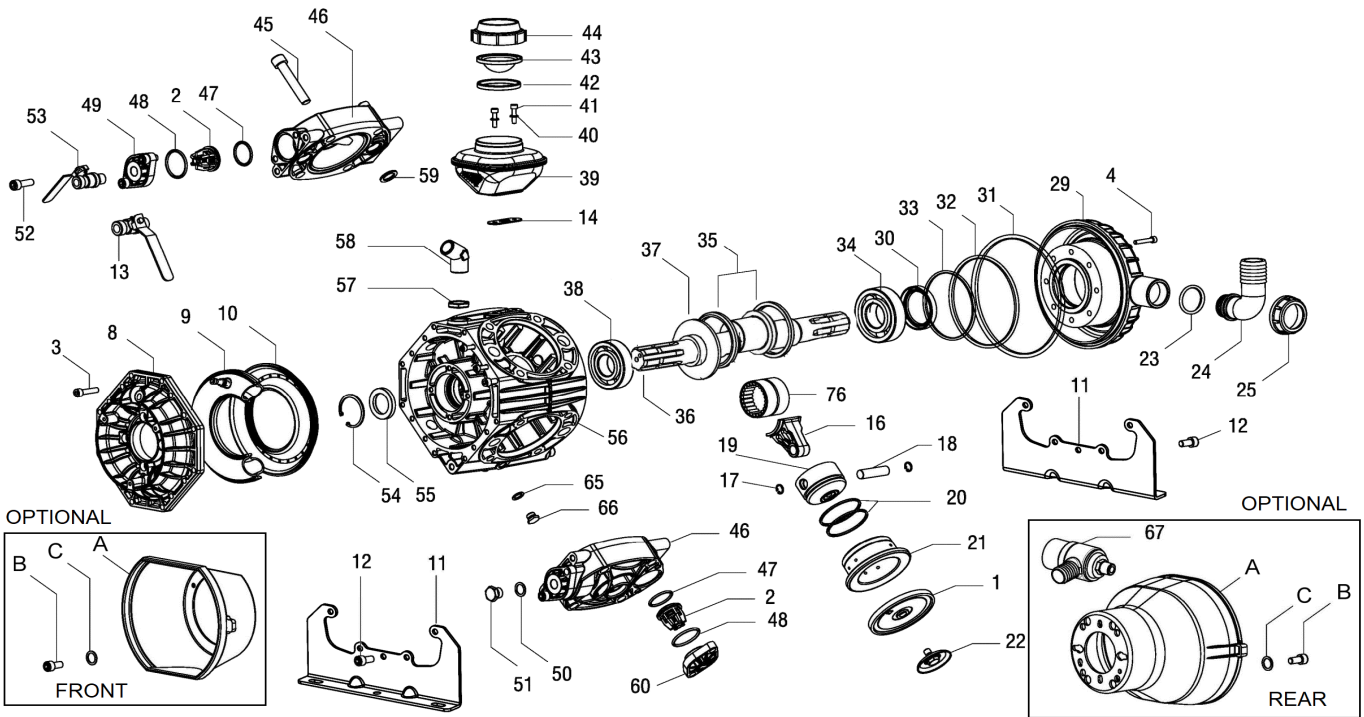
MODEL 9915-D1063



MODEL 9915-D1063

REFERENCE #	KIT	DESCRIPTION	QUANTITY IN KIT
1	9915-KIT2006	Desmopan piston diaphragm	3
2	9915-KIT2106	Valves assembly	6
3	9915-KIT2106	O-ring	6
4	Contact your sales rep to order		
5	9915-KIT2106	O-ring	6
6	Contact your sales rep to order		
7	9915-KIT2006	NBR Ballaster diaphragm	1
8-10	Contact your sales rep to order		
11	9915-KIT2206	Oil seal	1
12-14	Contact your sales rep to order		
15	9915-KIT3114	Elbow fitting	1
16	9915-KIT3114	Nut	1
17-25	Contact your sales rep to order		
26	9915-KIT2206	O-ring	1
27	9915-KIT2206	O-ring	1
28	9915-KIT2206	O-ring	1
29	Contact your sales rep to order		
30	9915-KIT2206	Oil seal	1
31	9915-KIT3003	Diaphragm spacer	1
32-42	Contact your sales rep to order		
43	9915-KIT2206	O-ring	6
44	9915-KIT2206	O-ring	6
45	9915-KIT2006 9915-KIT2206	O-ring	6
46-50	Contact your sales rep to order		
51	9915-KIT3003	Oil filler cap	1
52	9915-KIT3003	Oil filler diaphragm	1
53	9915-KIT3003	Oil filler	1
54	9915-KIT3003	O-ring	1
55, 56	Contact your sales rep to order		
57	9915-KIT3105	O-ring	1
58	9915-KIT3105	Wing nut	1
59	9915-KIT3105	Elbow fitting	1
74-77	Contact your sales rep to order		

MODEL 9915-D1504



MODEL 9915-D1504

REFERENCE #	KIT	DESCRIPTION	QUANTITY IN KIT
1	9915-KIT2007	Desmopan piston diaphragm	4
2	9915-KIT2107	Valves assembly	8
3-8	Contact your sales rep to order		
9	9915-KIT2007	NBR Ballaster diaphragm	1
10-13	Contact your sales rep to order		
14	9915-KIT3004	Oil filler sealing	1
15-22	Contact your sales rep to order		
23	9915-KIT3105	O-ring	1
24	9915-KIT3105	Elbow fitting	1
25	9915-KIT3105	Wing nut	1
26-29	Contact your sales rep to order		
30	9915-KIT2207	Oil seal	1
31	9915-KIT2207	O-ring	1
32	9915-KIT2207	O-ring	1
33	9915-KIT2207	O-ring	1
34-38	Contact your sales rep to order		
39	9915-KIT3004	Oil filler	1
40, 41	Contact your sales rep to order		
42	9915-KIT3004	Diaphragm spacer	1
43	9915-KIT3004	Oil filler diaphragm	1
44	9915-KIT3004	Oil filler cap	1
45, 46	Contact your sales rep to order		
47	9915-KIT2107 9915-KIT2207	O-ring	8
48	9915-KIT2107 9915-KIT2207	O-ring	8
49-54	Contact your sales rep to order		
55	9915-KIT2207	Oil seal	1
56	Contact your sales rep to order		
57	9915-KIT3114	Nut	1
58	9915-KIT3114	Elbow fitting	1
59	9915-KIT2007 9915-KIT2207	O-ring	8
60-67	Contact your sales rep to order		



375 5th Ave NW | New Brighton, MN 55112 US | Ph: (651) 766-6300, (800) 424-9776 | Fx: (800) 323-6496 | pentair.com

All indicated Pentair trademarks and logos are property of Pentair. Third party registered and unregistered trademarks and logos are the property of their respective owners. Because we are continuously improving our products and services, Pentair reserves the right to change specifications without prior notice. Pentair is an equal opportunity employer.

©2022 Pentair. All Rights Reserved.

L-3114 (08-01-22)