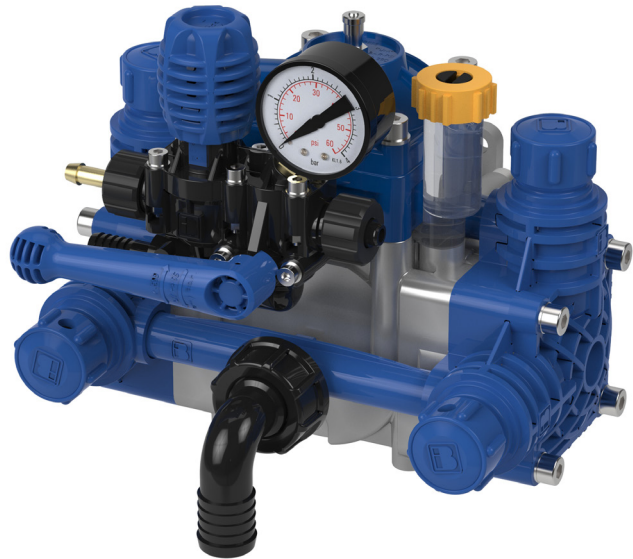


MEDIUM PRESSURE POLY DIAPHRAGM PUMP

9915-DP252, 9915-DP252GRGI, 9915-DP252GRGI58

FEATURES

- Polypropylene heads, manifolds, and control unit.
- Two Duramax diaphragms. Crown shaped pistons.
- Valves: 316 stainless steel spherical profiled valve poppet.
- Case Material: Aluminum
- Inlet Port: 1"/25mm
- Outlet Port: 1/2"/13mm
- Max Fluid Temp: 140°F/60°C
- Weight: 12.3 lbs/5.6 kg



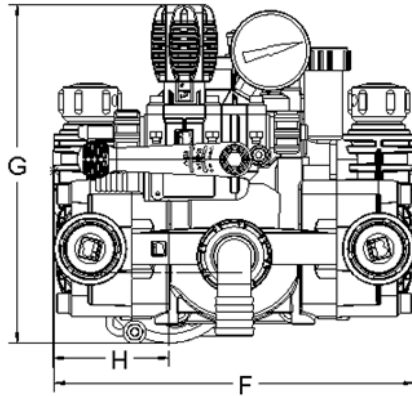
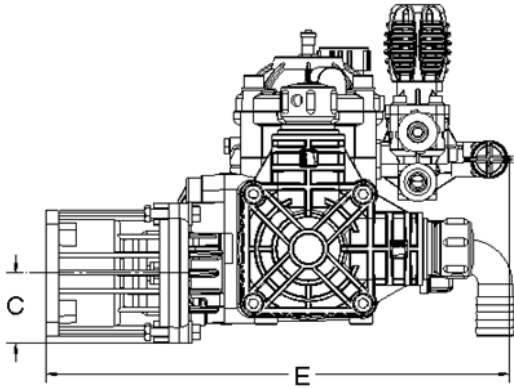
PERFORMANCE INFORMATION

PRESSURE PSI	RPM							
	400		450		500		550	
	GPM	HP	GPM	HP	GPM	HP	GPM	HP
30	5.5	0.1	6.0	0.1	6.6	0.1	7.1	0.2
145	5.2	0.6	5.7	0.6	6.2	0.7	6.7	0.9
218	5.1	0.9	5.6	0.9	6.1	1.0	6.6	1.1
290	4.9	1.1	5.4	1.2	5.9	1.3	6.3	1.4

PRESSURE BAR	RPM							
	400		450		500		550	
	LPM	KW	LPM	KW	LPM	KW	LPM	KW
2	20.8	0.1	22.8	0.1	24.9	0.1	27.0	0.1
10	19.6	0.4	21.6	0.5	23.5	0.5	25.5	0.6
15	19.2	0.6	21.1	0.7	23.0	0.8	24.9	0.8
20	18.5	0.8	20.3	0.9	22.2	1.0	24.0	1.1

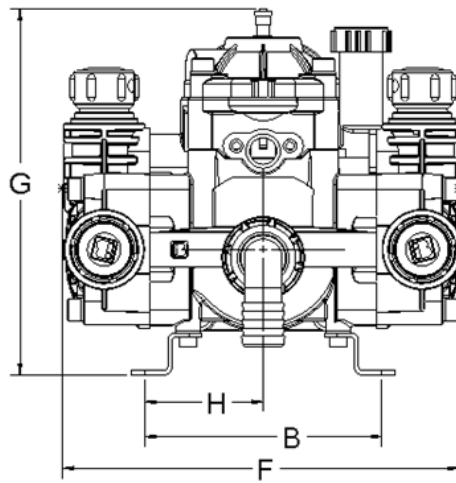
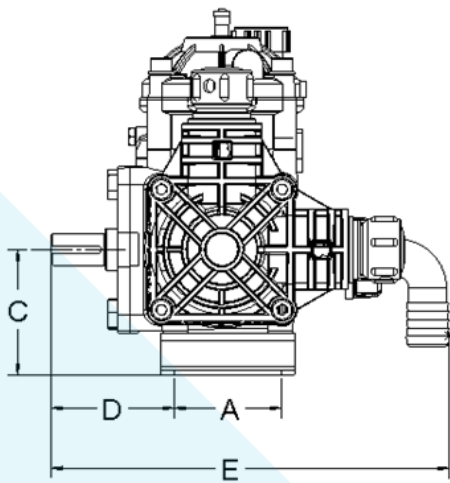
DIMENSIONAL DATA

9915-DP252GRGI, 9915-DP252GRGI58



DIM	IN	MM
A	-	-
B	-	-
C	1.8	46
D	-	-
E	12.0	305
F	9.4	238
G	8.8	223
H	3.0	76

9915-DP252



DIM	IN	MM
A	2.2	55
B	5.6	142
C	3.0	75
D	2.9	73
E	9.4	238
F	9.3	237
G	8.6	219
H	2.8	71

ORDERING INFORMATION

MODEL NUMBER	DESCRIPTION	MAX FLOW GPM [LPM]	MAX PRESSURE PSI [BAR]	MAX SPEED RPM	POWER HP [KW]	NUMBER OF DIAPHRAGMS
9915-DP252	Pump Assembly 3/4" solid Shaft	6.3 [24]	290 [20]	650	1.4 [1.1]	2
9915-DP252GRGI	Pump Gearbox Controller 3/4" Hollow Shaft			3450		
9915-DP252GRGI58	Pump Gearbox Controller 5/8" Hollow Shaft			3450		
9915-KIT1001	Control Unit					
9915-KIT1403	Control Unit Remote Mounting Kit					
9915-KIT2001	Diaphragm Kit					
9915-KIT2101	Valve Kit					
9915-KIT2201	Pump Kit					
9915-KIT1101	Gear Reduction Kit 3/4" Shaft					
9915-KIT1102	Gear Reduction Kit 5/8" Shaft					
9915-KIT1201	3/4" Shaft Kit					
9915-KIT1202	1" Shaft Kit					
9915-KIT1401	Hose Barb Outlet Kit 1/2" [13mm]					



375 Fifth Ave NW,
 New Brighton, MN 55112 U.S.
 PHONE: 651-766-6300, 800-424-9776
 FAX: 800-323-6496

pentair.com

All indicated Pentair trademarks and logos are property of Pentair. Third party registered and unregistered trademarks and logos are the property of their respective owners. Because we are continuously improving our products and services, Pentair reserves the right to change specifications without prior notice. Pentair is an equal opportunity employer.

HYP2108DS(04/15/2021) ©2021 Pentair. All Rights Reserved.