



# QL3B 7FC5, QL3B 4FC5, QL3B 2FC5, QL3B 2FC5-S WATER FILTRATION SYSTEMS INSTALLATION, OPERATION & MAINTENANCE GUIDE

## INTRODUCTION

The new Pentair® Everpure® QL3B FC Series water filtration systems are designed to provide optimum water characteristics for its specified applications. These systems can help reduce equipment maintenance, extend equipment life, and help improve the quality and consistency of your products. Built with high quality materials, each system is quality inspected prior to shipment. Proper system installation and routine filter changes will ensure years of trouble-free operation and performance.

## NOTES

**Do not discard. Give this guide to the owner/operator after installation.**

- Installation must conform to all local plumbing codes and regulations.
- Do not use with water that is microbiologically unsafe or of unknown quality without adequate disinfection before or after the system.
- Connect system to cold water supply only. Water temperature must not exceed 100°F (38°C).
- Do not solder plumbing connections attached to the assembly. High temperature will damage these components.
- Do not mount the system behind equipment. The unit must be easily accessible for filter replacement.
- Do not install system where it may interfere with moving equipment, carts, mops or any other item that may cause damage.
- Allow a minimum of 2½" (6.35 cm) clearance under the filter to facilitate cartridge change.
- Not for residential use. For foodservice applications only.

## OPERATING SPECIFICATIONS

For use on cold water only.

Pressure Requirements: 10 - 125 psi, non-shock  
(0.7 - 8.6 bar), non-shock

Temperature: 35 - 100°F (2 - 38°C)

Refer to this manual for general installation, operation, and maintenance requirements.



### Performance Specifications

Model	Part Number	Capacity		Flow Rate		Scale Inhibitor	Reduces
		gallons	liters	gpm	lpm		
QL3B 7FC5	EV925973	25,000	94,635	2.5	9.46	No	Particulate Class III, Chlorine, Taste & Odor
QL3B 4FC5	EV925972	15,000	56,781	2.5	9.46	No	Particulate Class III, Chlorine, Taste & Odor
QL3B 2FC5	EV925970	6,000	22,713	1.5	5.68	No	Particulate Class III, Chlorine, Taste & Odor
QL3B 2FC5-S*	EV925971	6,000	22,713	1.5	5.68	Yes	Particulate Class III, Chlorine, Taste & Odor

\*Denotes WaterMark



QL3B 7FC5, QL3B 4FC5, QL3B 2FC5, QL3B 2FC5-S models are Tested and Certified by NSF International against NSF/ANSI Standard 42 for the reduction of:

STANDARD NO. 42 – AESTHETIC EFFECTS

Bacteriostatic Effects

Chemical Reduction

Taste & Odor

Chlorine

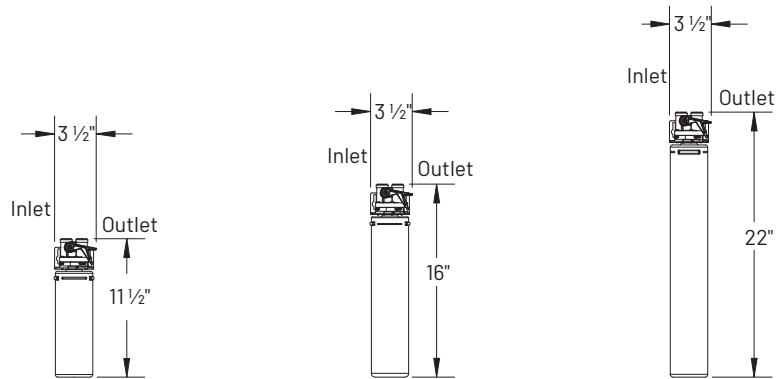
Mechanical Filtration

Nominal Particulate Class III

## MOUNTING AND CONNECTION CONSIDERATIONS

Give consideration to the following when selecting a suitable mounting location for the system. Filtration system configurations correspond to system model names listed below.

- Height and width dimensions
- Inlet/outlet connection size (3/8" FNPT)
- Inlet/Outlet direction of flow
- Operating weight (when filled with water)
- Be near a drain for flushing the system after installation and when replacing the cartridge(s).
- Allow a minimum clearance of 2 1/2" (6.4 cm) under the cartridge(s) to allow for filter removal and replacement.



QL3B 2FC5 and QL3B 2FC5-S  
Operating Weight: 7 lbs (3.2 kgs)

QL3B 4FC5  
Operating Weight: 8 lbs (3.7 kgs)

QL3B 7FC5  
Operating Weight: 9 lbs (4.0 kgs)

## INSTALLATION PRECAUTIONS

- Feed water supply pressure must not exceed 125 psi (non-shock). When pressure exceeds 85 psi, a pressure reducing valve is recommended.
- If water hammer is evident, install a water hammer arrestor before the Pentair® Everpure® system.
- Do not use liquid pipe compounds for fitting connections. Use two (2) or three (3) wraps of PTFE thread sealant tape.
- Do not over-tighten fitting connections. Always back-up valves and fittings with a wrench to avoid excessive stress on system components.

**NOTE:** If this filter system is to be used as post-filtration for a reverse osmosis system, plumb-in between the RO water outlet and in front of the equipment water inlet.

## INSTALLATION PROCEDURE

**IMPORTANT:** Confirm with the manager, and or owner/operator that equipment to be fed by the filtration system is turned off or not in use. The water supply to equipment will be shut off during installation.

**NOTE:** For installations in Australia and New Zealand product must be installed with a backflow prevention device in accordance with AS/NZS 3500 and AS/NZS 2845.1.

1. Locate the feed water supply shut-off valve and turn off.  
**NOTE:** If not available, we recommend the installation of a full-flow ball valve on the supply line to be connected to the Pentair Everpure system. This will allow the system to be serviced without shutting off the main water supply. (It will not be necessary to use this valve when replacing filters.)
2. Securely mount the filter head on a wall or in a cabinet. The filter must be mounted in a vertical position.
3. Connect a feed water supply line from the full-flow ball valve to the inlet connection of the system.
4. Install the filter cartridge into the filter head.
  - A. Hold filter head firmly. Align cartridge lug with label – push up and insert the new cartridge firmly into the head.
  - B. Turn cartridge to right (1/4 turn) until rotation stops.
5. Select the appropriate size supply line for the equipment being served and connect it to the outlet port of the system. Do not connect the supply line from the outlet of the filter to equipment at this time – this can be used to flush the filter prior to connection.
6. With the system inlet shut-off valve in the closed/off position (see illustration on page 3), slowly open the feed water supply full-flow ball valve. Check for leaks from the plumbing leading to the system inlet connection.
7. Hold the unconnected equipment supply line over a bucket or drain and slowly open the system inlet valve to flush the filter. When air is purged and water runs clear, close the system inlet valve.
8. Connect the outlet supply line to equipment served as required.
9. Open the inlet valve and check for leaks.
10. If no leaks, the installation is complete.
11. Inform the manager and or owner/operator that the equipment serviced can now be turned on and checked for normal operation.

**Leave this installation, operation, and maintenance manual with the establishment for future reference.**

**WARNING:** FOR CORRECT OPERATION OF THIS APPLIANCE IT IS ESSENTIAL TO OBSERVE THE MANUFACTURER'S INSTRUCTIONS.

## MAINTENANCE

---

With adequate pressure, normal operation of the system is completely automatic. The only routine maintenance your system should ever require is periodic filter cartridge changes. Filter changes are necessary for optimum performance of your foodservice equipment.

Contact your Pentair Everpure dealer for replacement cartridges and system replacement parts.

### The Pentair Total Water Management (TWM) program offers end-to-end water treatment services that include:

- Water Analysis
- Site Surveys
- Product Solutions
- Installation and Start-Up
- Planned Maintenance

To learn more about how Pentair Total Water Management can help support your business, contact your Pentair Everpure dealer or TWM Project Management at (800) 842-6193 or TWM@Pentair.com.

## FILTER CHANGE DETERMINATION

---

It is recommended that all filter cartridges be replaced:

- Every six (6) months on a regular scheduled program
- When water pressure or flow to equipment becomes inadequate.  
This may be due to excessive sediment accumulating in the filter cartridge(s) causing flow restriction. If this occurs and the filtration system includes a prefilter, replace the prefilter cartridge first. If the water pressure and flow to equipment is not corrected, replace the primary quick-change (QC) filter cartridge(s).
- Always replace filter cartridges at least once per year.

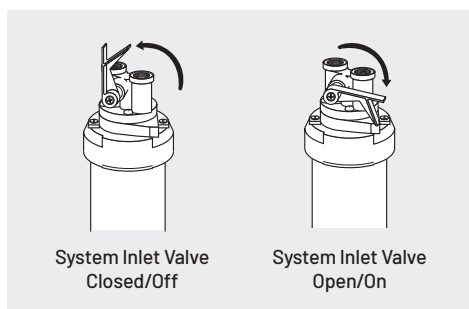
## CARTRIDGE REPLACEMENT

---

**IMPORTANT:** Confirm that equipment fed by the filtration system is turned off or not in use. Water supply to equipment will be shut off when replacing filter cartridges.

1. Close the system inlet shut-off valve.
2. Remove used filter cartridge.
  - A. Hold filter firmly near the head. Turn cartridge to left (1/4 turn) until rotation stops.
  - B. Pull down and remove from head. Discard used cartridge.
3. Install the filter cartridge into the filter head.
  - A. Hold filter firmly near the head. Align cartridge lug with label. Push up and insert the new cartridge firmly into the head.
  - B. Turn cartridge to right (1/4 turn) until rotation stops.
4. Flush the filter. Open down-stream flush valve (if available) or disconnect supply line to equipment.
5. Slowly open the system inlet valve. When air is purged and water runs clear, close the system inlet valve.
6. Re-connect the outlet supply line to equipment.
7. Open the inlet valve and check for leaks.
8. If no leaks, the cartridge replacement procedure is complete.

**After cartridge change is complete, equipment can be returned to service and checked for normal operation.**



## REPLACEMENT CARTRIDGES

---

Pentair Everpure filtration systems are designed, tested, and certified with exclusive Everpure filter cartridges with proven performance, size and operating capacities. Use of replacement cartridges other than those specified will void warranties, certifications and may compromise equipment serviced.

System	Cartridge(s)	Part Number	Quantity
QL3B 7FC5	7FC5	EV927222	1
QL3B 4FC5	4FC5	EV969321	1
QL3B 2FC5	2FC5	EV969166	1
QL3B 2FC5-S	2FC5-S	EV969186	1

For Pentair Everpure Product Warranties visit:  
<http://pentair.com/assets/foodservice-warranty>



**United States** | 1040 Muirfield Drive | Hanover Park, IL 60133 | 800.942.1153 (US Only) 630.307.3000 Main | [cseverpure@pentair.com](mailto:cseverpure@pentair.com) | [foodservice.pentair.com](http://foodservice.pentair.com)  
**Australia** | 1-21 Monash Drive | Dandenong South, Vic 3175 | Australia | 011.1300 576 190 Tel | [au.everpure@pentair.com](mailto:au.everpure@pentair.com)  
**China** | 21F Cloud 9 Plaza, NO 1118 | Shanghai, 200052 | China | 86.21.3211.4588 Tel | [china.water@pentair.com](mailto:china.water@pentair.com)  
**India** | Boulevard, B-9/A, 7th Floor - Tower B Sector 62 | Noida - 201301 | 91.120.419.9444 Tel | [indiacustomer@pentair.com](mailto:indiacustomer@pentair.com)  
**Europe** | Pentair Water Belgium BVBA | Industriepark Wolfstee, Toekomstlaan 30, B-2200 Herentals | Belgium | +32.(0).14.283.504 Tel | [sales@everpure-europe.com](mailto:sales@everpure-europe.com)  
**Japan** | Japan Inc. | Hashimoto MN Bldg. 7F, | 3-25-1 Hashimoto, Midori-ku, Sagamihara-shi | Kanagawa 252-0143 | Japan | 81.(0)42.775.3011 Tel | [info@everpure.co.jp](mailto:info@everpure.co.jp)  
**Southeast Asia** | 390 Havelock Road, | #04-01 King's Centre | Singapore 169662 | 65.6768.5800 Tel | [cseverpure@pentair.com](mailto:cseverpure@pentair.com)

All indicated Pentair trademarks and logos are property of Pentair. Third party registered and unregistered trademarks and logos are the property of their respective owners.