



# SOLAR SYSTEMS AND PARTS CATALOG



## ENLIST THE “GREEN TEAM” FOR CUSTOMER CONVENIENCE AND ENERGY SAVINGS

The **SunTouch® and SolarTouch® Solar Control Systems** are a perfect fit for customers looking to make the most of the sun’s energy with the convenience of an easy, affordable control system. The SunTouch and SolarTouch systems offer push-button digital technology for simple operation.

Simply set the digital thermostat and the SolarTouch system will monitor the temperature of the pool water and solar collectors. Whenever the sun offers sufficient energy for effective heating, the SolarTouch controller opens a motorized valve and sends filtered water to the collectors. If temperatures drop, the system shuts the valve to keep water out of your pool.

SunTouch control systems offer all the advantages of SolarTouch systems, plus the ability to control two additional features, such as lights or automatic cleaners.

And while you’re having the “green” talk, make sure to mention energy-efficient **IntelliFlo® and IntelliPro® Variable Speed Pumps**. These revolutionary pumps feature permanent magnet motor technology (used in hybrid cars) that dramatically cuts energy costs by up to 90%, saving up to an estimated \$1,500 per year.\* Pool owners also enjoy nearly silent operation and longer, trouble-free service life.

Enhance your “green team” today with these top performers—a natural fit for your eco-hungry customers.

\*Savings based on variable speed pump compared to a single-speed pump running 12 hours per day at an average of \$0.16 per kWh in a 20,000 gallon pool. Actual savings may vary based on local utility rates, pool size, pump run time, pump horsepower, pump rpm, plumbing size and length, pump model, service factor and other hydraulic factors.



As Eco Select® branded products, SunTouch and SolarTouch systems, along with IntelliFlo and IntelliPro pumps, are among the greenest and most efficient equipment choices.

# YOUR SINGLE SOURCE FOR SOLAR CONTROLS, PARTS AND ACCESSORIES...




Get the most out of the sun's energy for pools and spas with quality solar control systems, parts and accessories. Choose from the following array of actuators, valves, relays, thermometers, temperature sensors and more—to add greater economy, comfort and convenience to your customers' personal retreats.

	Part Number	Description
<b>SolarTouch Controls</b>		
	521592	SolarTouch Solar Control System with 3-Way Solar drain-down, valve actuator and 2 temp sensors (20' water, 40" solar)
	521632	SolarTouch Solar Control System with 3-Way Valve, valve actuator and 2 temp sensors (20' water, 40" solar)
	521942	SolarTouch Solar Controller Booster Pump—includes 2 temp sensors (20' water, 40" solar) and 30 amp relay
<b>SunTouch Controls</b>		
<b>520856</b> 	520819	SunTouch Solar Control System—includes 1 actuator, 1 solar valve and 2 temp sensors (20' water, 40" solar)
	520820	SunTouch Solar Control System (Pool/Spa)—includes 2 actuators, 2 temp sensors (20' water, 40" air) and 3 relays
	520856	SunTouch Solar Control System with 3-Way Valve—includes 1 actuator, 3-way valve and 2 temp sensors (20' water, 40" solar)
	520857	SunTouch Booster Pump Version—includes 1 relay and 2 temp sensors (20' water, 40" solar)
	520859	SunTouch Single Body Solar Control System—includes 2 temp sensors (20' water, 40" air) and 3 relays
<b>Communication System for IntelliFlo/IntelliPro Pumps and Non-Pentair® Control Systems</b>		
<b>521109</b> 	521109	IntelliComm® II Communication System
	350122	Communication Cable (50 ft., included with IntelliFlo and IntelliPro Variable Speed Pumps)
<b>Actuators</b>		
<b>263045</b> 	263043	CVA24L—2-port, 90 degree Compool, Ortega® and Jandy® Valves
	263045	CVA24T—3-port, 180 degree Compool, Ortega® and Jandy® Valves
<b>Valves</b>		
<b>263026</b> 	263026	3-Way CPVC 2 in. (2½ in. slip outside)
	263027	2-Way CPVC 2 in. (2½ in. slip outside)
	263028*	3-Way PVC 2 in. (2½ in. slip outside)
	263029*	2-Way PVC 2 in. (2½ in. slip outside)
<b>263042</b> 	263035	3-Way CPVC 1½ in. (2 in. slip outside)
	263036	2-Way CPVC 1½ in. (2 in. slip outside)
	263037*	3-Way PVC 1½ in. (2 in. slip outside)
<b>263057</b> 	263038*	2-Way PVC 1½ in. (2 in. slip outside)
	263042	Check Valve CPVC 2 in. (straight)
	263047	3-Way Solar Valve with Drain-Down, CPVC 2 in. (2½ in. slip outside)
<b>263077</b> 	263056	3-Way CPVC 2½ in. (3 in. slip outside)
	263057	3-Way Solar Valve with Drain-Down, CPVC 2½ in. (3 in. slip outside)
	263059	2-Way CPVC 2½ in. (3 in. slip outside)
	263068	90 Degree 2-Way CPVC 2½ in. (3 in. slip outside)
	263060	Check Valve CPVC 2½ in. (3 in. slip outside)
	263077	90 Degree Check Valve CPVC 2½" (3 in. slip outside)
	R172288	Corrosion Resistant Check Valve 1½ in. or 2 in. slip, 2 lb. spring

\*PVC valves are not recommended for extreme temperature applications.

**Note:** All Pentair® 2- and 3-way valves are positive seal. All SolarTouch controller models include one 3HP Solar Booster Pump SPST relay and one 3HP Pressure Cleaner Booster Pump delay SPST relay.

## REPLACEMENT AND MISC. PARTS

	Part Number	Description
<b>Relays</b>		
	RLYLX	Additional Power Relay (for auxiliary equipment)
	RLYLXD	Relay Kit for 2-Speed Pump
	RLYSC	Relay Kit for LX220 & LX820, 20 AMP
	RLYSC3HP	25 AMP, 3HP Power Relay for LX220 & LX820 Systems
	520106	3HP Relay for IntelliTouch®, EasyTouch® and SunTouch® Automation Systems
	520198	Two-Speed 3HP Relay for IntelliTouch, EasyTouch and SunTouch Automation Systems
	521605	Power Replacement Kit (Power Board & Ribbon Cable) with 2 relays
<b>Thermometers</b>		
	SL1DW	Thermometer, 30/130° F with nylon well
	SL2D	Thermometer, 50/220° F with ½ in. NPT (threaded)
	SL2DW	Thermometer, 50/220° F with ½ in. brass well
	SL2DW3	Thermometer, 50/220° F with ¾ in. brass well
	SWN	Nylon well
	SWB	½ in. Brass well
	SWB1	¾ in. Brass well
	R141036	Tube Thermometer, ABS case, 3 ft. cord, bubble pack (carton qty. 24)
	R141076	Chrome Brass Thermometer, blown glass tube secured in brass tubing, 3 ft. cord, bubble pack (carton qty. 24)
	R141106	Floating Thermometer, ABS tube, 3 ft. cord & flotation cap with color label, bubble pack (carton qty. 24)
<b>Flowmeters</b>		
	LDF356B	Flowmeter, ½ – 5 GPM, ½ in., brass sweat end
	LDF360B	Flowmeter, ½ – 5 GPM, ¾ in., brass sweat end
	LDF360N	Flowmeter, ½ – 5 GPM, ¾ in., nylon threaded end
	LDF360T	Flowmeter, ½ – 5 GPM, 1 in., brass threaded end
	LDF357B	Flowmeter, 1 – 10 GPM, ¾ in., brass sweat end
	LDF357N	Flowmeter, 1 – 10 GPM, ¾ in., nylon threaded end
	LDF357T	Flowmeter, 1 – 10 GPM, 1 in., brass threaded end
	LDF359B	Flowmeter, 2 – 16 GPM, ¾ in., brass sweat end
	LDF359N	Flowmeter, 2 – 16 GPM ¾ in., nylon threaded end
	LDF359T	Flowmeter, 2 – 16 GPM, 1 in., brass threaded end
	LDF450B	Flowmeter, 2 – 40 GPM, 1 in., brass sweat end
	LDF450T	Flowmeter, 2 – 40 GPM, 1 in., brass threaded end
	LDF460T	Flowmeter, 2 – 40 GPM, 1½ in., brass threaded end
	LDF461T	Flowmeter, 8 – 75 GPM, 1½ in., brass threaded end
	LDF452T	Flowmeter, 15 – 100 GPM, 1 in., brass threaded end
LDF462T	Flowmeter, 15 – 100 GPM, 1½ in., brass threaded end	
<b>Temp Sensors</b>		
	520272	Temp Sensor for IntelliTouch, EasyTouch and SunTouch Control Systems
	TS5L	Temp Sensor for LX80 Control System—CP3000 family of products, red and green wire
	9321004	Clamp for water temperature sensor
	9142109	O-ring, 5/16 in. for water temperature sensor



## REPLACEMENT AND MISC. PARTS CONTINUED

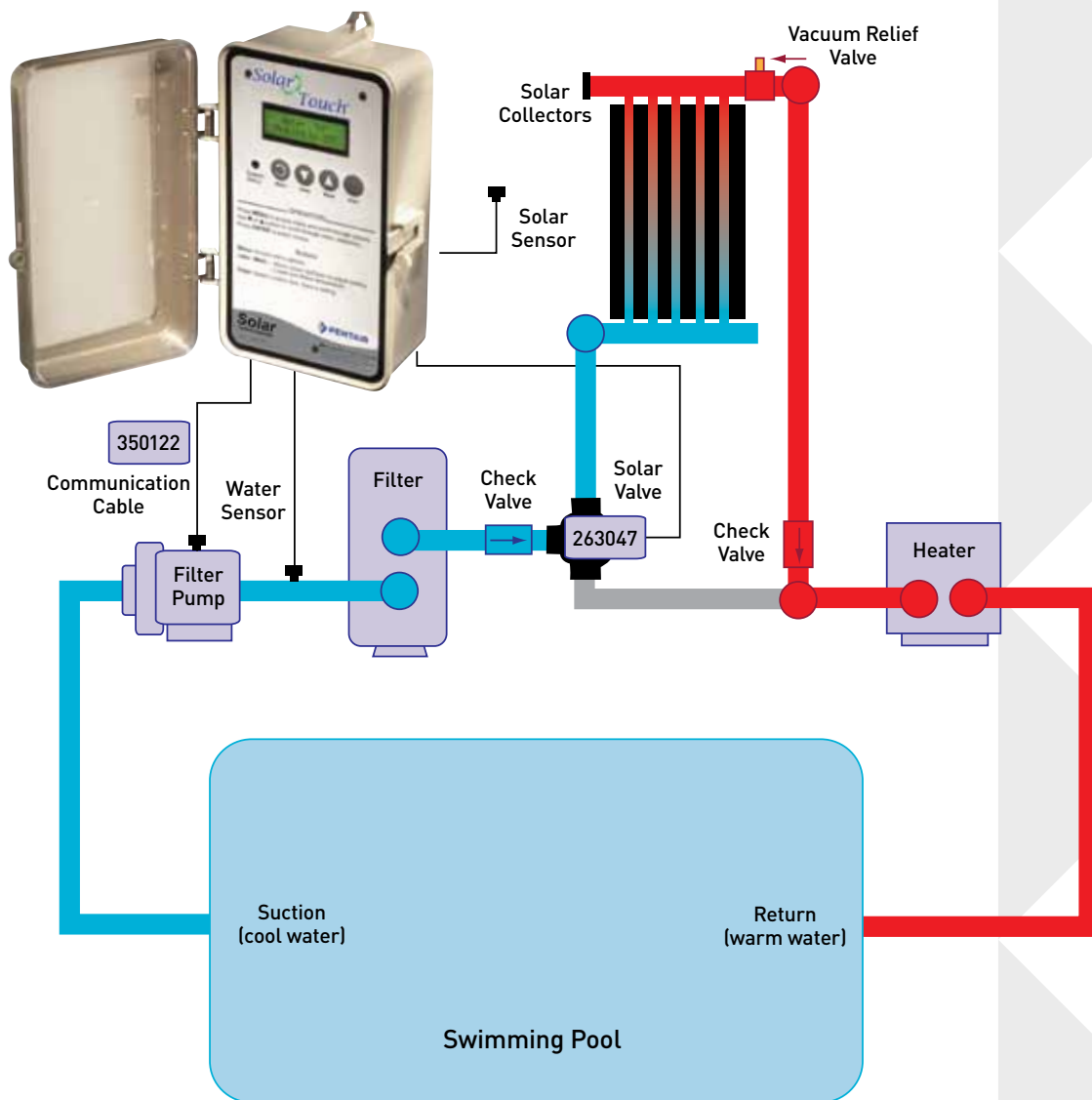
Part Number	Description
<b>SunTouch® Solar Replacement Parts</b>	
520842	Door for SunTouch Solar Control System
520841Z	Transformer Kit for SunTouch Solar Control System
520942Z	4 AMP Circuit Breaker Kit for SunTouch Control System
520645Z	Circuit Board Assembly Kit for SunTouch Pool/Spa Control System
520940Z	Circuit Board Assembly Kit for SunTouch Solar Control System
520941Z	Circuit Board Assembly Kit for Single Body SunTouch Control System
BAT3	Battery 3V Lithium IntelliTouch, EasyTouch and SunTouch Control Systems
ES03	Emergency Shut-off Switch with Audible Alarm for SunTouch Control Systems
MODESO	PC Board for Emergency Shut-off
<b>SolarTouch® Solar Control System Replacement Parts</b>	
521516	Enclosure Door Replacement Kit
521604	Control Panel Replacement Kit (Faceplate & Control Board)
521605	Power Replacement Kit (Power Board & Ribbon Cable)
<b>LX220 Replacement Parts</b>	
XFM20	Transformer Assembly for LX220 Control System
PCLX220	PCB LX220 Circuit Board for LX220
LXLATCH	Latch LX Enclosure
<b>Actuator Parts</b>	
270078	Circuit Board
270077	Gear Set
4231033	Motor
CVASCR	Mounting Screws
520010	Micro Switch
PIG3	Harness
<b>Valve Parts</b>	
270032	Handle Knob 2- and 3-Way Valve
270021	Pin Stop 2- and 3-Way Valve
270028	Handle 2- and 3-Way Valve
520389	Screw Kit (8 Screws)
270030	Cover CPVC 2- and 3-Way Valve
51016200	O-ring #2-152 Buna 70 Shore
270038	Spacer Split Ring
192039	O-ring #2-116 Buna 70 Shore
270056	Diverter Assembly 2- and 3-Way Valve (2 - 2½ in.)*
270075	Diverter Assembly 2- and 3-Way Valve (1½ - 2 in.)*
270094	Diverter Assembly 3-Way Solar Valve with drain down (2 - 2½ in.)
263042Z	Check Valve Replacement Kit

Part Number	Description
<b>Flowmeter Parts</b>	
FS1	Flowmeter Body (1 - 10 GPM)
FS2	Flowmeter Body (2 - 16 GPM)
FS3	Flowmeter Body (0.5 - 5 GPM)
FL2	Flowmeter Body (2 - 40 GPM)
FLGW	Guide Wire, large
FSKN	Knurled Nut, small
FLKN	Knurled Nut, large
FS0	O-ring, small
FLO	O-ring, large
FSSE	¾ in. Sweat End, small
FSNE	Nylon End, small
FSTE	Threaded End 1 in., small
FLTE1	Threaded End 1 in., large
FLTE2	Threaded End 1½ in., large
FLTG	Top Guide Support, large
F3	Float (2 - 16 GPM)
F7	Float (15 - 100 GPM)
FB	Nylon Cleaning Brush
<b>Misc. Parts</b>	
AI101	Suppressor Surge 115V
AI201	Suppressor Surge 230V
520008	Splice
521209	QuickTouch® II Controller RF Kit
521109	IntelliComm® II Communication System
8023302	Terminal 2 Plug
8023304	Terminal 4 Plug
8023306	Terminal 6 Plug
RYALX	Adapter Circuit for 2 Relays
R172036	Lubricant Silicone ¾ oz.
R172351	Lubricant Silicone ¾ oz. 30 PK Display Box
2COND	Cable 2 Conduct 22 AWG 1000 ft.
P1-056	SunTouch and SolarTouch Solar Systems and Parts Catalog
P1-014	SunTouch Solar Product Sheet
P1-137	SolarTouch Solar Systems Brochure

\*Includes: P/N 270038 (Spacer Split Ring) and P/N 192039 (O-ring).

# SOLARTOUCH® SOLAR CONTROL SYSTEM

The **SolarTouch Solar Control Panel** lets you set your desired temperature, then automatically sends water to the solar collectors when conditions are just right.





## THE MARKETPLACE IS **GOING GREEN**

With Eco Select® brand products,  
so can your business

Whether it's about saving the planet or hard-earned cash, consumers are increasingly looking for ways to lighten their environmental footprint. Our Eco Select brand of products highlights our "greenest" products—those that conserve energy, reduce chemical usage, eliminate noise or contribute to a more environmentally responsible equipment system. Even if your customers aren't thinking green, they are certainly looking for energy savings, less maintenance and quieter operation—all key benefits of Eco Select brand products.

To learn more about Eco Select brand products and the sales tools we've developed to support your sales, go to [www.pentairpool.com/pool-pro](http://www.pentairpool.com/pool-pro) and click on Eco Select in the top menu bar.





1620 HAWKINS AVE, SANFORD, NC 27330 800.831.7133 [WWW.PENTAIRPOOL.COM](http://WWW.PENTAIRPOOL.COM) [WWW.STARITEPOOL.COM](http://WWW.STARITEPOOL.COM)

All Pentair trademarks and logos are owned by Pentair, Inc. QuickTouch®, SunTouch®, Eco Select®, IntelliFlo®, IntelliPro®, IntelliComm®, IntelliTouch®, EasyTouch® and SolarTouch® are registered trademarks of Pentair Water Pool and Spa, Inc. and/or its affiliated companies in the United States and/or other countries. Jandy® and Ortega® are registered trademarks of Jandy Industries, Inc. Because we are continuously improving our products and services, Pentair reserves the right to change specifications without prior notice. Pentair is an equal opportunity employer.

11/12 Part # P1-056 ©2012 Pentair Aquatic Systems. All rights reserved.