

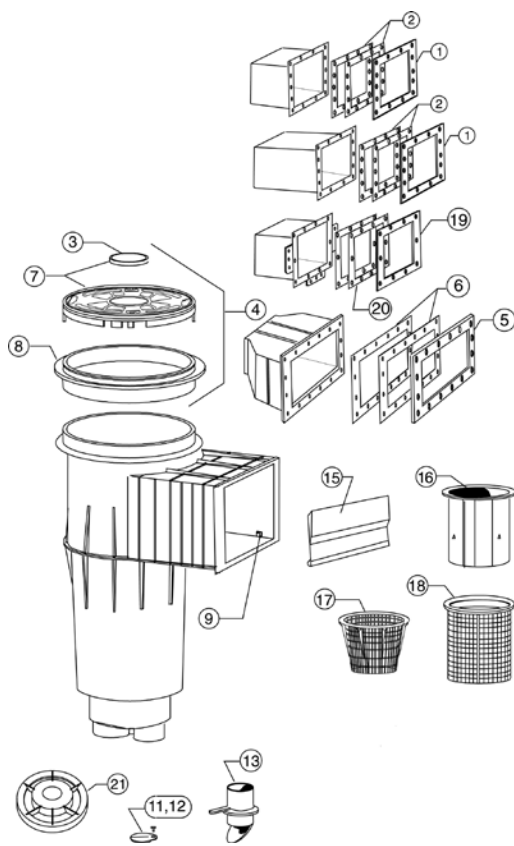


# WHITE GOODS PARTS

Product Catalog 2022

# ADMIRAL™ SKIMMERS

## REPLACEMENT PARTS



Item	Part No.	Description
<b>ADMIRAL SKIMMERS</b>		
1	85004200	Frame, sealing liner, white std. 12 hole pattern
1	85004211	Frame, sealing liner, black std. 12 hole pattern
1	85004213	Frame, sealing liner, gray std. 12 hole pattern
2	85001600	Gasket set, liner, std. 12 hole pattern
3	510161	Disk, logo
4	85000400	Lid/ring seat, complete, white
4	85000411	Lid/ring seat, complete, black
4	85018000	Lid/ring seat, complete, tan
5	85007600	Frame, sealing liner, wide mouth, white
6	85007700	Gasket, sealing liner, wide mouth (2), white
7	85007400Z	Lock down lid, white
7	85007411	Lock down lid, black
7	85007413	Lock down lid, gray
7	85007430	Lock down lid, tan
8	85000600	Ring seat only, 9 in. diameter, white
8	85017900	Ring seat only, 9 in. tan
9	85017500	Pivot tab for flap weir

Item	Part No.	Description
11	85002400	Trimmer valve plate, residential
12	98204400	Screw for trimmer plate, 10-24 x 1/2 in.
13	85002600	Vari-flo control insert only
15	85001500	Flap weir
16	R38013B	Floating weir, circular
17	85014500	Basket, tapered
17	85014600	Basket, tapered (S-20 Model Only)
18	R38013AZ	Basket, for floating weir
19	85000300	Frame, liner, American 10 hole pattern
20	81111800	Gasket set, large 10 hole pattern, w/ dbl. wall
20	81111700	Gasket set, large 10 hole pattern, w/o dbl. wall
21	85015200	Equalizer assembly
<b>NOT SHOWN</b>		
	98202600	Screw, sealing <sup>1</sup>
	98202700	Screw, sealing <sup>1</sup>
	98202900	Screw, sealing <sup>2</sup>
	98207200	Screw, sealing <sup>2</sup>
	98203000	Screw <sup>2</sup>
	85008500	Screw kit, American 10 hole pattern
	85008600	Screw kit, American 10 hole pattern, extra long
	85008700	Screw kit, std. 12 hole pattern
	85008800	Screw kit, std. 12 hole pattern, extra long
	85015100	O-ring, skimmer bottom
	355330	O-ring, equalizer
	85016600Z	Rubber stopper, flap weir
	98213000	Screw, 8-32 x 5/8 in. commercial lid
	98208500	Washer, gum commercial lid
	85014700	Handle, basket
	85007200	Angle bracket
	85012800	Track-VF skimmer
	85014200	Trimmer, equalizer
	85009500	Skimmer Lid (Old Style)

<sup>1</sup> Used on skimmers manufactured before 2-1-76.  
<sup>2</sup> Used on skimmers manufactured after 2-1-76.

CALIFORNIA PROPOSITION 65 WARNING

⚠ **WARNING:** Cancer and Reproductive Harm.  
 ⚠ **AVERTISSEMENT:** Peut Causer le Cancer et des Dommages au Système Reproducteur.  
 ⚠ **ADVERTENCIA:** Cáncer y Daño Reproductivo.  
[www.p65warnings.ca.gov](http://www.p65warnings.ca.gov)

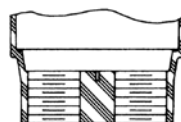
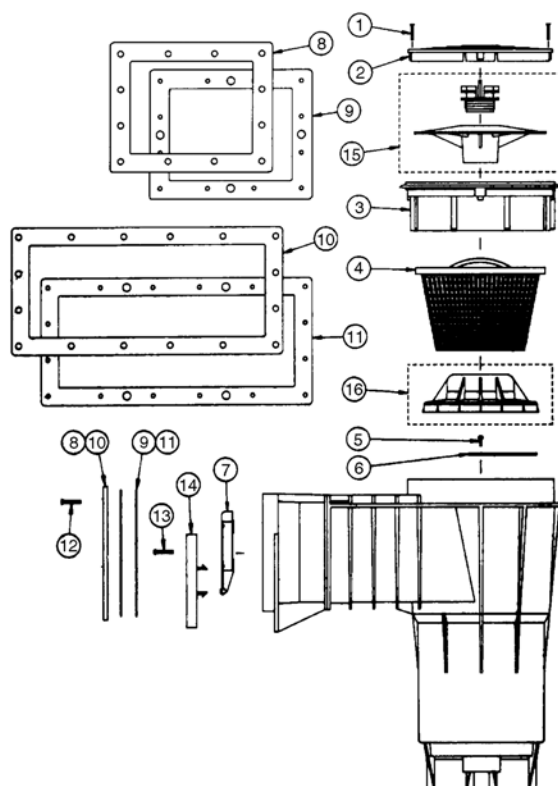
Product on pages 276–277.

Replacement baskets on page 150.

# BERMUDA™ SKIMMERS

## REPLACEMENT PARTS FOR GUNITE & VINYL LINER SKIMMERS

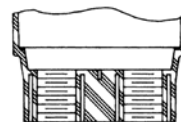
Item	Part No.	Description
<b>BERMUDA SKIMMERS</b>		
1	516242	Screw, No.8-32 x 1 in. SS, 2 req.
2	516215	Deck lid, white
2	516216	Deck lid, tan
2	516306	Deck lid, black
3	516259	Deck collar, vinyl, white
3	516260	Deck collar, vinyl, tan
3	516307	Deck collar, vinyl, black
3	516253	Deck collar, gunite, white
3	516258	Deck collar, gunite, tan
3	516329	Deck collar, gunite, black
4	516112Z	Basket
5	516243	Screw, No.8 x 1/2 in. SS
6	516228	Trimmer plate
7	516252Z	Weir gate assembly, white
7	516315	Weir gate assembly, black
8	516264	Face plate kit, standard throat, white
8	516324	Face plate kit, standard throat, black
9	552566	Gasket, standard throat, 2 req.
10	516265	Face plate kit, widemouth throat, white
10	516318	Face plate widemouth, black
11	516231	Gasket, widemouth throat, 2 req.
12	516345	Screw, No.12-8 x 1-1/4 in. SS, std. face plate
13	516241	Screw, No.12-8 x 1-1/4 in. SS, 4 req.
14	516237	Flange spacer, 3 req.
<b>OPTIONS</b>		
15	506161	Vacuum plate assembly
16	506160	Float valve assembly
16	195829	2 in. O-ring style plug
16	192323	2 in. O-ring for 195829 plug
16	191474	1-1/2 in. O-ring for 191368 plug
16	506162	Equalizer valve assembly
<b>NOT SHOWN</b>		
	516254	Lid/collar set, white
	516328	Lid/collar set, black
	516261	Lid/collar set, tan



2 in. NPSM Thread



2 in. NPSM Thread  
2 in. Slip



1-1/2 in. NPSM Thread



1-1/2 in. NPSM Thread  
1-1/2 in. Slip

CALIFORNIA PROPOSITION 65 WARNING  
 ⚠️ **WARNING:** Cancer and Reproductive Harm.  
 ⚠️ **AVERTISSEMENT:** Peut Causer le Cancer et des Dommages au Système Reproducteur.  
 ⚠️ **ADVERTENCIA:** Cáncer y Daño Reproductivo.  
 www.p65warnings.ca.gov. PR00116A

<sup>1</sup> For skimmers manufactured after 2/1/93.

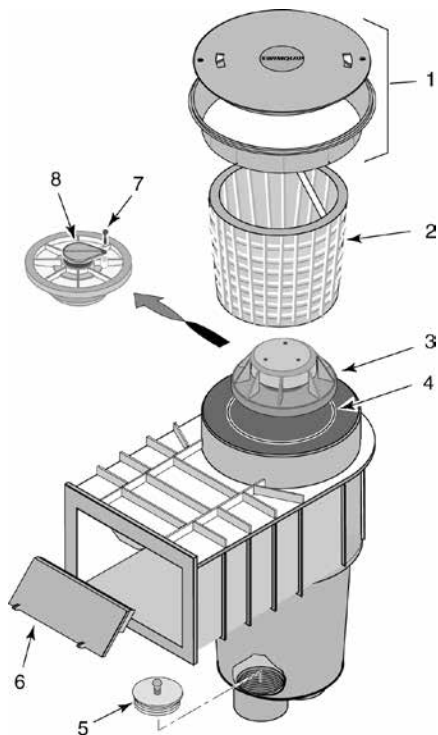
Product on pages 278–279.

Replacement baskets on page 150.



# U-3 SKIMMER

## REPLACEMENT PARTS



<sup>1</sup> For use on Residential U-3 Skimmer Models. Must purchase if skimmer does not come with a float.

<sup>2</sup> For Use on Vinyl Liner Skimmers.

<sup>3</sup> For skimmers purchased after July 2012.



**CALIFORNIA PROPOSITION 65 WARNING**

**⚠ WARNING:** Cancer and Reproductive Harm.  
**⚠ AVERTISSEMENT:** Peut Causer le Cancer et des Dommages au Système Reproducteur.  
**⚠ ADVERTENCIA:** Cáncer y Daño Reproductivo.

www.p65warnings.ca.gov

793207XA

Item	Part No.	Description
<b>U-3 SKIMMER PARTS</b>		
1	08650-0169	Lid and Collar - White (Model 09655-2403, 09655-2404)
1	08650-0159	Lid and Collar - Tan (Model 09655-1403, 09655-1404)
1	08650-0169C	Lid and Collar (Gray)
2	08650-0007Z	Basket and Handle
3	08650-0079	Float Assembly with O-Ring <sup>1</sup>
4	35505-1273	Float O-Ring Only <sup>1</sup>
5	08655-0017	Check Valve <sup>1</sup>
6	08650-0022	Hinged Weir Assembly
6	516442 <sup>3</sup>	Hinged Weir Assembly - Brite white
7	37207-0027	Screw, #8 x 1/2 in. <sup>1</sup>
8	08650-0048Z	Trimmer Plate <sup>1</sup>

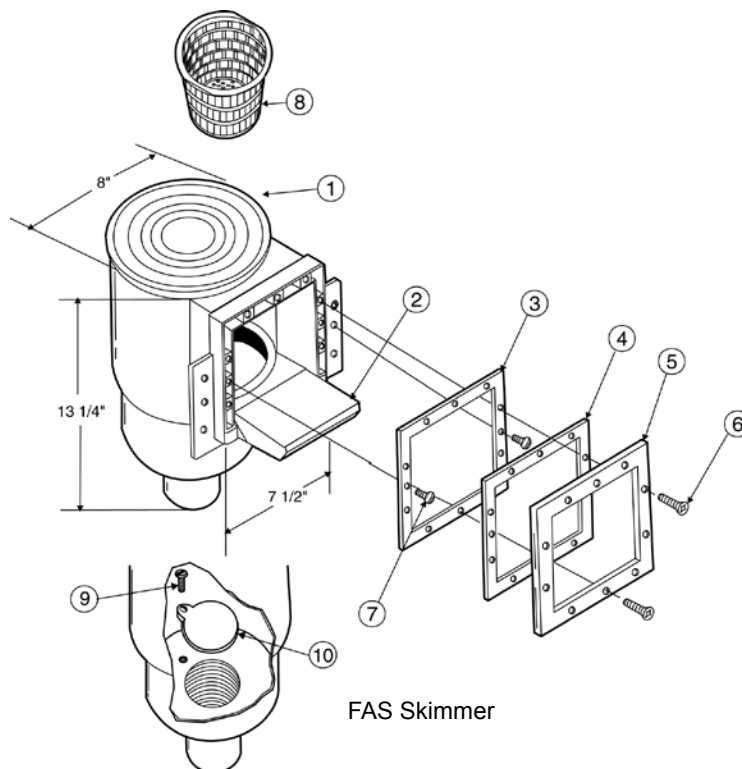
<b>NOT SHOWN</b>		
	37207-0825	Screw, #8 x 3/8 in. Pan Head
	08650-0018	Weir Bumper
	08650-0067	Basket Handle Only
	U78-820P	Reducer, 2 x 1-1/2 in. NPT (Model 09655-1403, 09655-2403)
	U78-858P	Reducer, 2 x 1-1/2 in. Slip (Model 09655-1404, 09655-2404)
	U9-366	Gasket 2
	37416-0004	Screw, #12-14 x 1 in. Flat Head (Model 09655-1404, 09655-2403, 09655-2404)
	37416-0005	Screw, #12-14 x 1-1/2 in. Flat Head (Model 09655-1403)
	U36-105SS	Nut, Hex #10-24 <sup>2</sup>
	WC2-8P	Face Plate <sup>2</sup>
	09655-0010	Skimmer Spacer Block <sup>2</sup>
	08650-0042	Vacuum Plate <sup>1</sup>
	WC37-503P	Skimmer Extension Collar <sup>2</sup>

Item	Part No.	Description
<b>U-3 SKIMMER LIDS AND COLLARS</b>		
1	08650-0058	Lid Only (White)
1	08650-0158	Lid Only (Tan)
1	08650-0058C	Lid Only (Gray)
2	08650-0025	Collar Only (White)
2	08650-0125	Collar Only (Tan)
2	08650-0025C	Collar Only (Gray)
3	08650-0069	Hardware

Product on pages 280–281.

# SKIMMERS FOR ABOVEGROUND POOLS

## REPLACEMENT PARTS



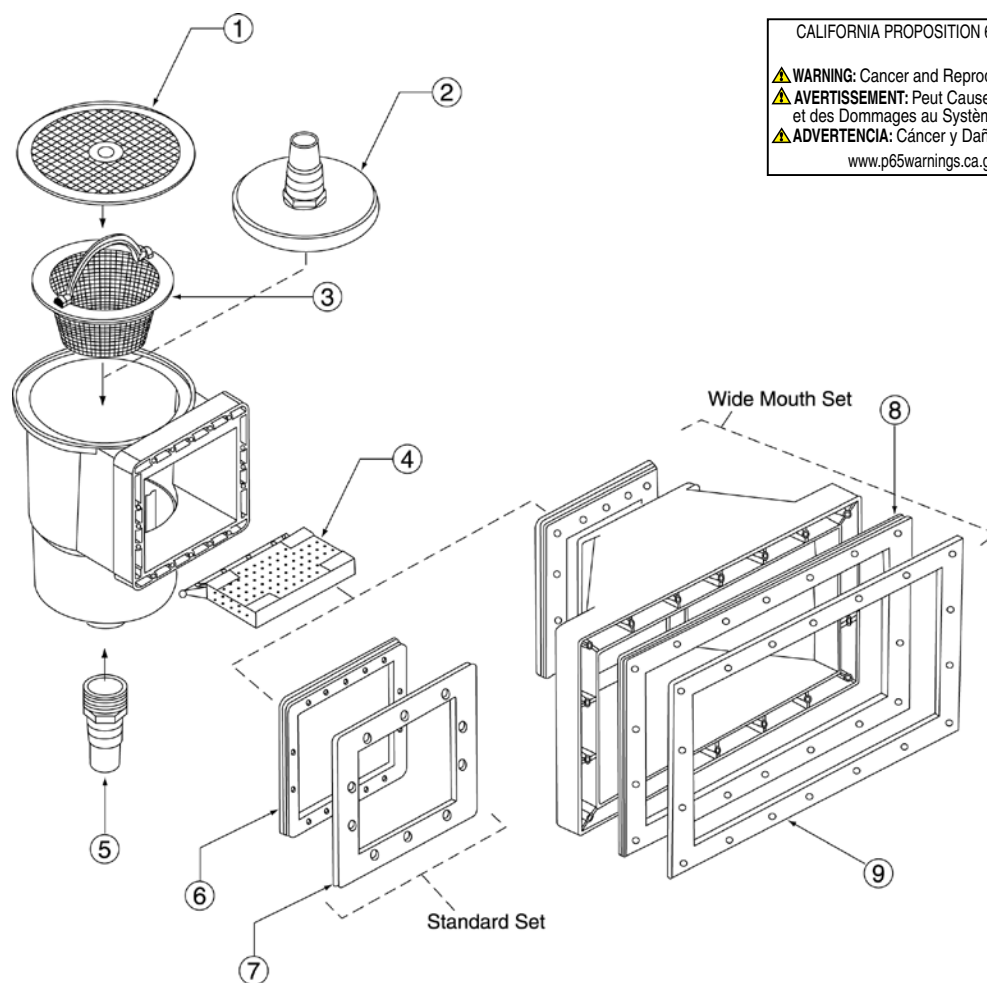
FAS Skimmer

Item	Part No.	Description
<b>FAS 100® SKIMMERS</b>		
1	85004700	Lid for optional top access
2	85003200	Flap weir
3	85003300	Gasket, sealing rear (thick)
4	85003400	Gasket, sealing front
5	85004000	Sealing frame
6	98207200	Screw, sealing 13-16 x 1-1/4 in. high-low, XL
6	98202900	Screw, SS sealing phil. 13-16 x 1 in., high-low fh.
7	98203000	Screw, SS retainer slot. 13-16 x 3/4 in. high-low pph.
8	85003900	Basket
9	98204400	Screw, SS 10-24 x 1/2 in. pph. for trimmer plate
10	85009600	Plate, trimmer
<b>NOT SHOWN</b>		
	85002800	Plate, vacuum adapter
	510166	Hose adapter, 1-1/2 in. MIPT x 1-1/4 in.
	85009700	Screw kit, std.
	85009800	Screw kit, extra long screws
	85017600	Pivot tab, for flap weir

CALIFORNIA PROPOSITION 65 WARNING  
 ⚠️ **WARNING:** Cancer and Reproductive Harm.  
 ⚠️ **AVERTISSEMENT:** Peut Causer le Cancer et des Dommages au Système Reproducteur.  
 ⚠️ **ADVERTENCIA:** Cáncer y Daño Reproductivo.  
[www.p65warnings.ca.gov](http://www.p65warnings.ca.gov) PA 20251A

# HYDROSKIM SKIMMERS

## REPLACEMENT PARTS



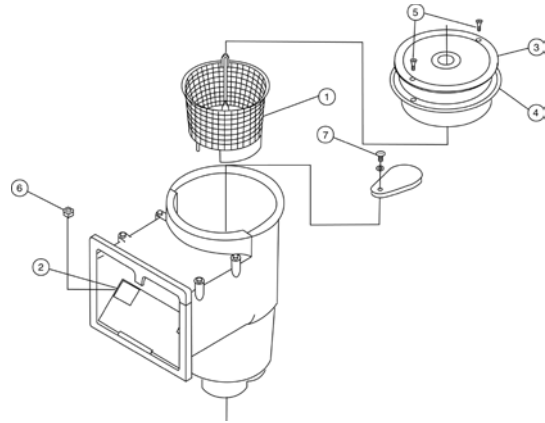
CALIFORNIA PROPOSITION 65 WARNING  
 ⚠️ **WARNING:** Cancer and Reproductive Harm.  
 ⚠️ **AVERTISSEMENT:** Peut Causer le Cancer et des Dommages au Système Reproducteur.  
 ⚠️ **ADVERTENCIA:** Cáncer y Daño Reproductivo.  
 www.p65warnings.ca.gov. PHS2017A

Item	Part No.	Description
<b>HYDROSKIM SKIMMERS</b>		
1	513333	Lid, white
1	513335	Lid, gray
2	513351	Vacuum plate
3	513330	Basket
4	513352	Weir door
5	510166	Hose adapter
6	513331	Gasket
7	513339	Sealing frame, white
7	513340	Sealing frame, black
7	513341	Sealing frame, gray
8	513332	Gasket, wide mouth
9	513345	Sealing frame, wide mouth, white
9	513346	Sealing frame, wide mouth, black
9	513347	Sealing frame, wide mouth, gray

# SKIMCLEAN™ SKIMMERS

## REPLACEMENT PARTS

Item	Part No.	Description
<b>SKIMCLEAN SKIMMERS</b>		
1	513036	Basket
2	513027	Weir
3	513030	Deck lid
4	513031	Deck ring
5	512149	Screw, No. 6-32 x 7/16 in. SS, 2 req.
6	192106	Nut, 1/4 in., 20 SS, 2 req.
7	98204400	Screw, No. 10-24 x 12 in.

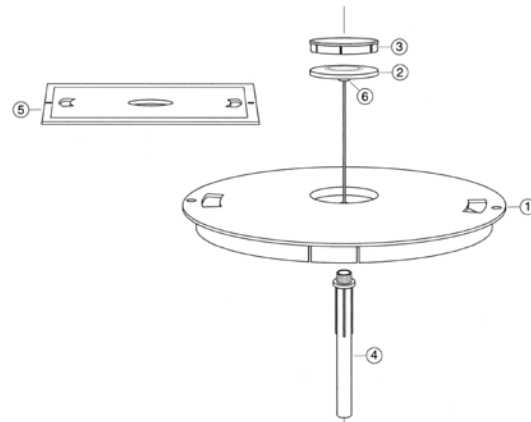


Replacement baskets on page 150.

# SKIMMER LID WITH THERMOMETER

## REPLACEMENT PARTS

Item	Part No.	Description
<b>SKIMMER LID</b>		
1	L1RW	SwimQuip, Swimrite, Jacuzzi®, New Style Hayward®, 9-7/8 in., white
1	L1RG	Gray
1	L1RB	Almond
1	L2R	Baker Hydro®, 9-7/8 in., white
1	L4RW	American Products, 9-3/16 in. round, white
1	L4RG	Gray
1	L4RB	Almond
1	L5R	PacFab™, Old Style, 8-3/8 in., white
1	L6RW	PacFab, Bermuda, 9-1/4 in., white
1	L6RG	Gray
1	L6RB	Almond
2	SK	Thermometer w/ bushing
2,4	SKR	Thermometer w/ tube & bushing
3	SKC	Cap for skimmer lid, (white, almond, gray)
4	SKTU	Protector tube
5	L3R	Hayward®, square, 10 in. x 10 in., white
6	SKB	Bushing for thermometer



Jacuzzi® is a registered trademark of Jacuzzi, Inc.

Hayward® is a registered trademark of Hayward Industries, Inc.

Baker Hydro® is a registered trademark of Waterco USA DBA Baker Hydro Corp.

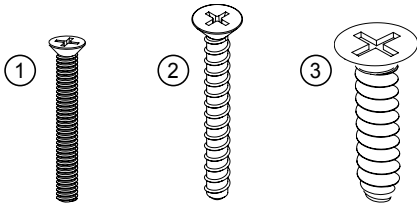
CALIFORNIA PROPOSITION 65 WARNING

⚠️ **WARNING:** Cancer and Reproductive Harm.  
 ⚠️ **AVERTISSEMENT:** Peut Causer le Cancer et des Dommages au Système Reproducteur.  
 ⚠️ **ADVERTENCIA:** Cáncer y Daño Reproductivo.  
[www.p65warnings.ca.gov](http://www.p65warnings.ca.gov)

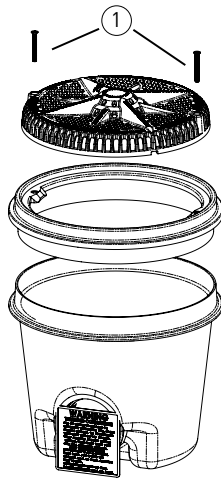
# STARGUARD® MAIN DRAINS

## REPLACEMENT PARTS

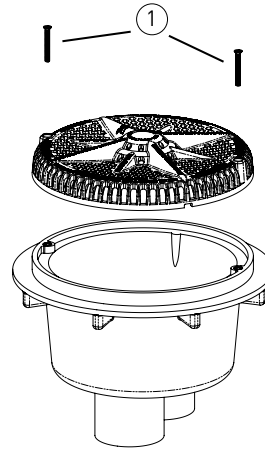
Item	Part No.	Description
<b>STARGUARD MAIN DRAINS</b>		
1	510543Z	Kit includes 2 screws
2	510583Z	Kit includes 2 screws
3	510592Z	Kit includes 8 screws
4	07017-0079	Gasket
5	500135	Vinyl ring and gasket kit



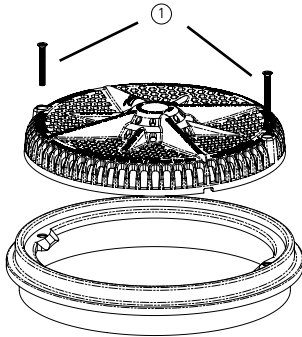
500110-500120



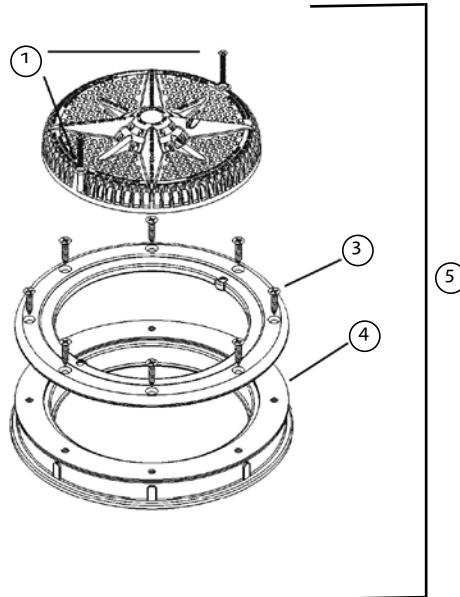
500120-500125



500100-500109  
500140-500149



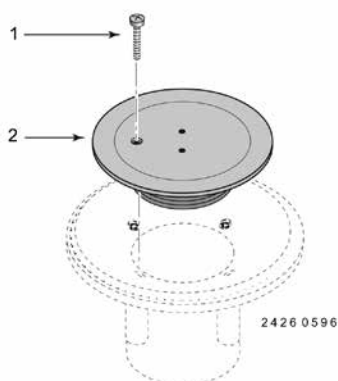
500135



CALIFORNIA PROPOSITION 65 WARNING  
 ⚠️ **WARNING:** Cancer and Reproductive Harm.  
 ⚠️ **AVERTISSEMENT:** Peut Causer le Cancer et des Dommages au Système Reproducteur.  
 ⚠️ **ADVERTENCIA:** Cáncer y Daño Reproductivo.  
[www.p65warnings.ca.gov](http://www.p65warnings.ca.gov) PH 201514

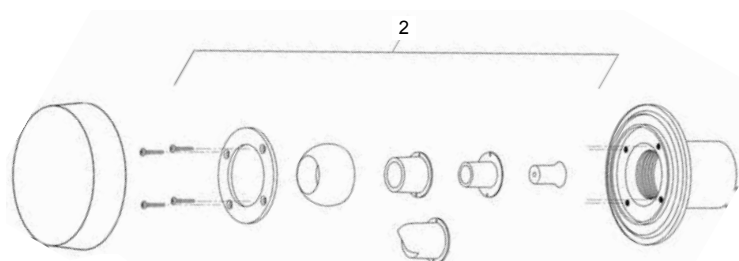


# ADJUSTABLE FLOOR INLET FITTING



Item	Part No.	Description	Qty
<b>EQUALIZER SUCTION FITTING KIT</b>			
1	37207-0430	Screw, No. 8 x 1 in., SS	1
2	08417-0005	Cover plate, white <sup>1</sup>	1
2	08417-0005B	Cover plate, gray <sup>1</sup>	1
2	08417-0005C	Cover plate, black <sup>1</sup>	1

<sup>1</sup> To be used only as floor inlet fitting(s).



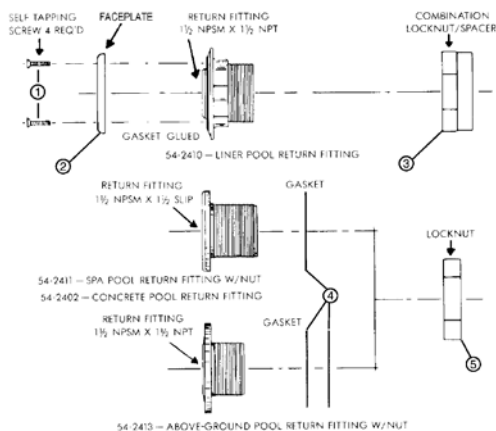
## POOL INLETS

CALIFORNIA PROPOSITION 65 WARNING  
 ⚠️ **WARNING:** Cancer and Reproductive Harm.  
 ⚠️ **AVERTISSEMENT:** Peut Causer le Cancer et des Dommages au Système Reproducteur.  
 ⚠️ **ADVERTENCIA:** Cáncer y Daño Reproductivo.  
[www.p65warnings.ca.gov](http://www.p65warnings.ca.gov)      P650017A

Item	Part No.	Description	Qty.
<b>EYEBALL INLETS</b>			
1	08429-0014	Body, 08429-0000, 1-1/2 in. inlet, white	1
1	08428-0014B	Body, 08428-0100, 1-1/4 in. inlet, gray	1
2	08428-0001	Inlet Eyeball Kit, white, includes: Screw, No. 8, 32 x 1/2 in.; Face plate; Ball; nozzle - 3/4 in.; Right angle nozzle; Nozzle - 1/2 in.; Nozzle - 3/16 in.	1
2	08428-0001B	Inlet Eyeball Kit, gray, includes: Screw, No. 8, 32 x 1/2 in.; Face plate; Ball; nozzle - 3/4 in.; Right angle nozzle; Nozzle - 1/2 in.; Nozzle - 3/16 in.	1
<b>NOT SHOWN</b>			
	08428-0125	Eyeball inlet kit	1

Product on page 289.

## WALL FITTINGS

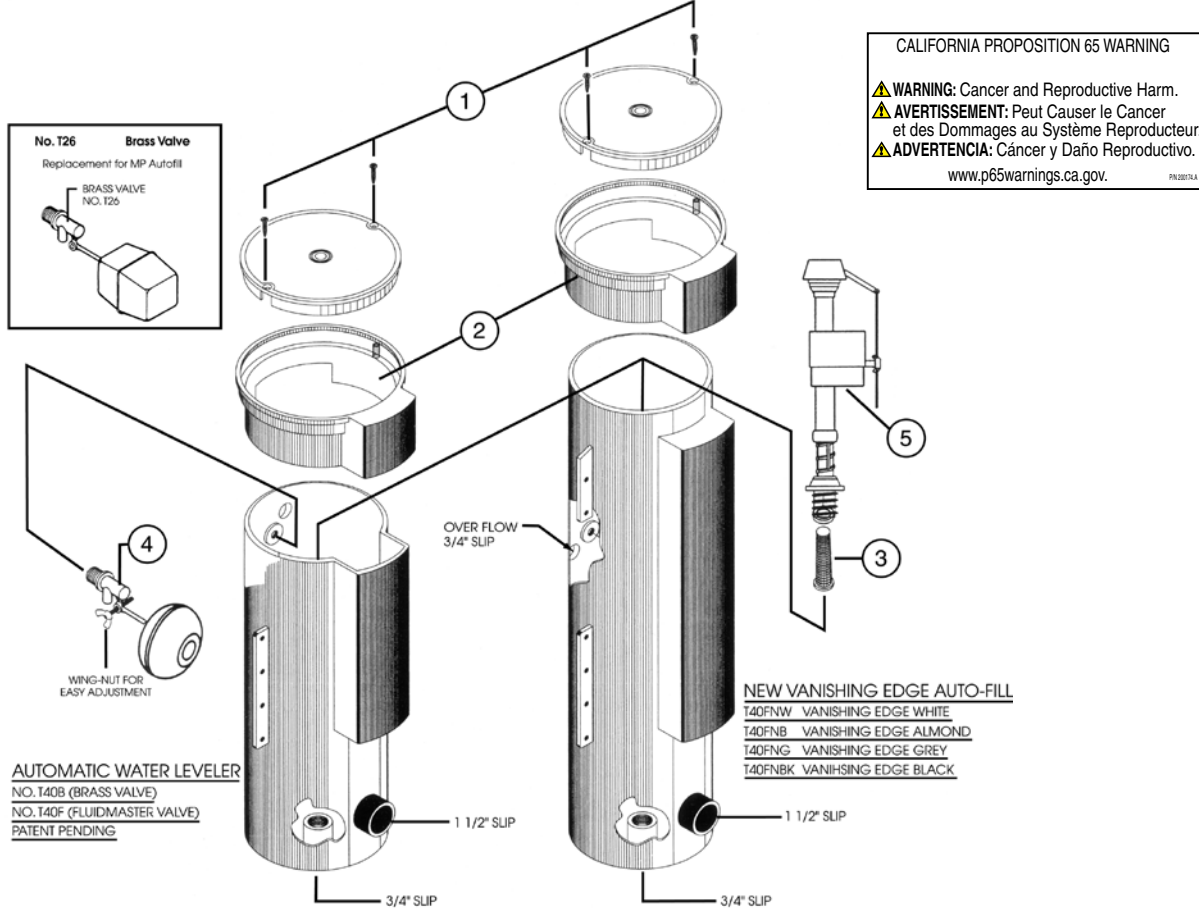


Item	Part No.	Description
<b>WALL FITTINGS</b>		
1	552472	Screw, No.12 x 1 in. flat phillips, 4 req.
2	545100	Face plate, white for 542410 / 86205100
2	545101	Face plate, black for 542420 / 86205101
2	545103	Face plate, gray for 86205103
4	552496	Cork gasket
4	552406	Gasket, 2 req.
5	154412	Locknut

Product on page 289.

# AUTOMATIC WATER FILLERS

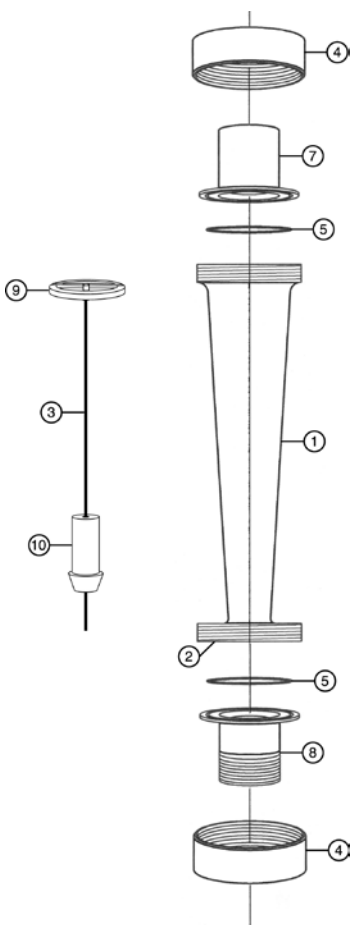
## REPLACEMENT PARTS



Item	Part No.	Description
<b>AUTOMATIC WATER FILLERS</b>		
1	T10W	AutoFill lid, with screws, white
1	T10B	AutoFill lid, with screws, almond
1	T10G	AutoFill lid, with screws, gray
1	T10BK	AutoFill lid, with screws, black
	T10DG	Autofill lid with screws, dark gray
2	T16W	AutoFill top ring, white
2	T16B	AutoFill top ring, almond
2	T16G	AutoFill top ring, gray
2	T16BK	AutoFill top ring, black
	T16DG	Autofill top ring, dark gray
3	T24	Debris screen w/ washer
4	T26	Brass valve
4	261058	Plastic valve
5	T29	Fluidmaster® valve
<b>NOT SHOWN</b>		
	370006	T-40 FW Parts Bag
	T6EXT	6 in. extension for Fluidmaster valve

# FLOWMETERS MADE FOR LIQUID APPLICATIONS

## REPLACEMENT PARTS



Item	Part No.	Description
<b>FLOWMETERS</b>		
1	FS1	Flowmeter body (1–10 GPM)
1	FS2	Flowmeter body (2–16 GPM)
1	FS3	Flowmeter body (1/2–5 GPM)
1	FL2	Flowmeter body (2–40 GPM)
2	FSBG	Bottom guide support, small
3	FSGW	Guide wire, small
3	FLGW	Guide wire, large
4	FSKN	Knurled nut, small
4	FLKN	Knurled nut, large
5	F5O	O-ring, small
5	F5L	O-ring, large
7	FSSE	3/4 in. Sweat end, small
7	FLSE	1 in. Sweat end, large
8	FSNE	Nylon end, small
8	FSTE	Threaded end 1 in., small
8	FLTE1	Threaded end 1 in., large
8	FLTE2	Threaded end 1-1/2 in., large
9	FSTG	Top guide support, small
9	FLTG	Top guide support, large
<b>NOT SHOWN</b>		
	F2	Float (1-10 GPM)
	F3	Float (2-16 GPM)
	F4	Float (.5-5 GPM)
	F5	Float (2-40 GPM)
	F6	Float (8-75 GPM)
	F7	Float (15-100 GPM)

CALIFORNIA PROPOSITION 65 WARNING  
 ⚠️ **WARNING:** Cancer and Reproductive Harm.  
 ⚠️ **AVERTISSEMENT:** Peut Causer le Cancer et des Dommages au Système Reproducteur.  
 ⚠️ **ADVERTENCIA:** Cáncer y Daño Reproductivo.  
[www.p65warnings.ca.gov](http://www.p65warnings.ca.gov) PH.202174

