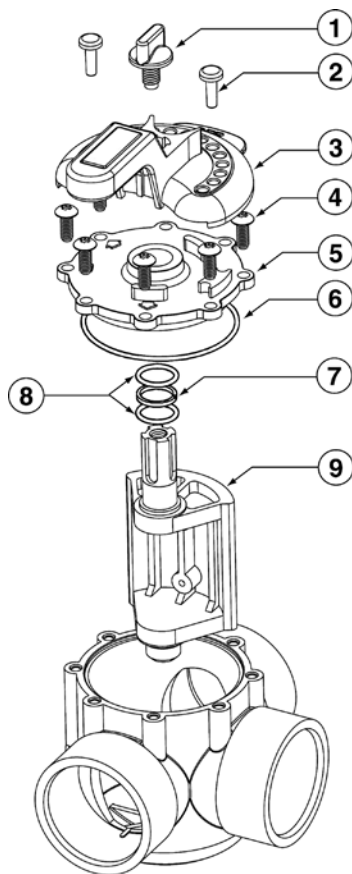


# VALVE PARTS

Product Catalog 2022

# DIVERTER VALVES – 1-1/2 IN. AND 2 IN.

## REPLACEMENT PARTS (PACFAB AND COMPOOL VALVES)



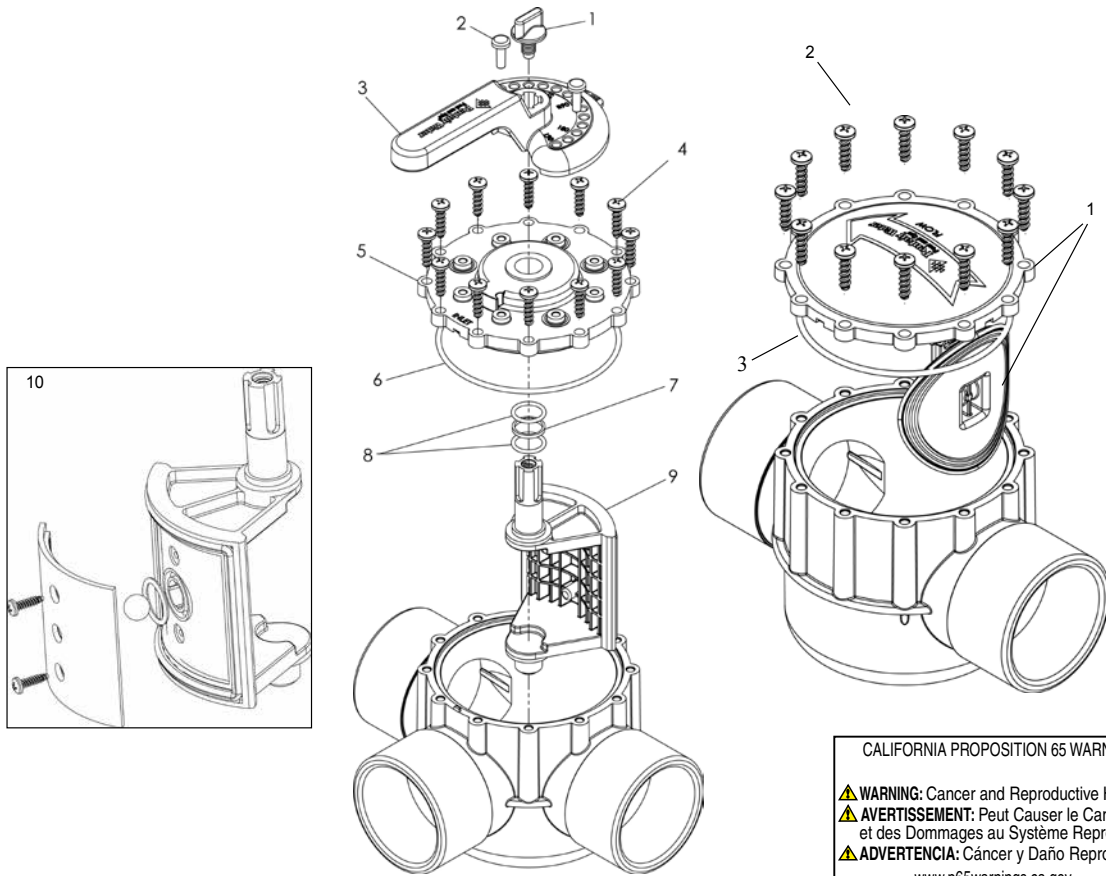
CALIFORNIA PROPOSITION 65 WARNING  
 ⚠️ **WARNING:** Cancer and Reproductive Harm.  
 ⚠️ **AVERTISSEMENT:** Peut Causer le Cancer et des Dommages au Système Reproducteur.  
 ⚠️ **ADVERTENCIA:** Cáncer y Daño Reproductivo.  
[www.p65warnings.ca.gov](http://www.p65warnings.ca.gov) PHL201714A

Item No.	Part No.	Description
<b>DIVERTER VALVES – 1-1/2 IN. AND 2 IN.</b>		
1	270032	Handle Knob 2 & 3-Way Valve
2	270021	Pin stop 2 & 3-Way Valve
3	270028	Handle 2 & 3-Way Valve
4	520389	Screw Kit, (8 Screws)
5	270030	Cover CPVC 2 & 3-Way Valve
6	51016200Z	O-ring #2-152 Buna 70 Shore
7	270038	Spacer ring
8	192039Z	O-ring #2-116 Buna 70 Shore
9	270056	Diverter assy. 2 & 3-Way Valve, (2–2-1/2 in.) <sup>1</sup>
9	270075	Diverter assy. 2 & 3-Way Valve, (1-1/2–2 in.) <sup>1</sup>
9	270094	Diverter assy. 3-Way Solar Valve w/ drain down, (2–2-1/2 in.)
<b>NOT SHOWN</b>		
	263042Z	Check Valve Replacement Kit

<sup>1</sup> Includes: P/N 270038 (Spacer split ring) and P/N 192039Z (O-ring).

# FULLFLOXF® DIVERTER & CHECK VALVES – 2-1/2" & 3"

## REPLACEMENT PARTS

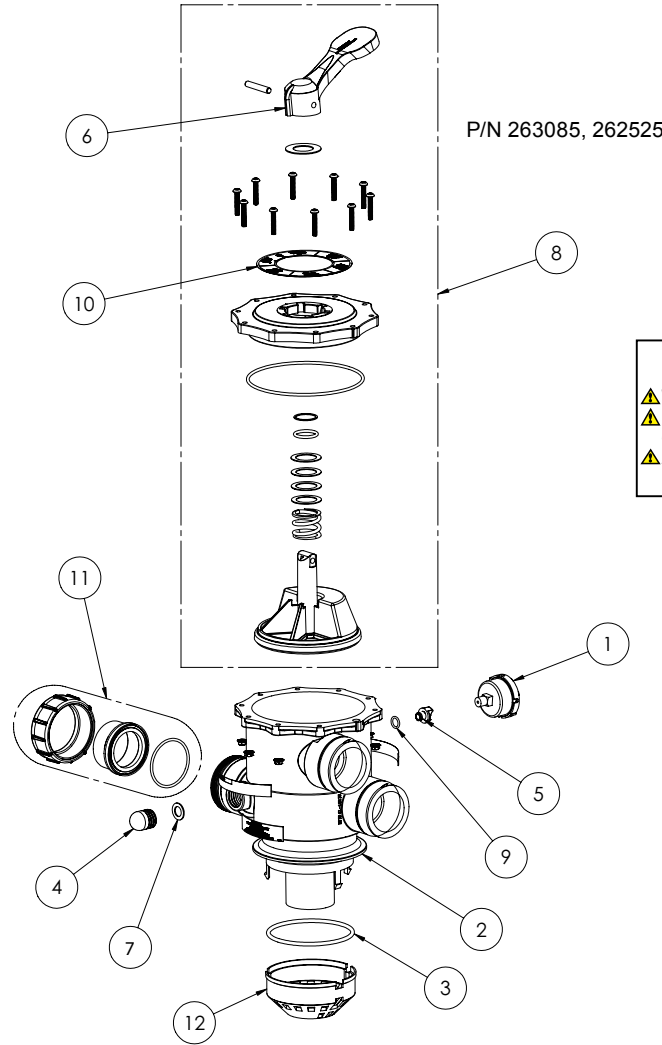


CALIFORNIA PROPOSITION 65 WARNING  
 ⚠️ **WARNING:** Cancer and Reproductive Harm.  
 ⚠️ **AVERTISSEMENT:** Peut Causer le Cancer et des Dommages au Système Reproducteur.  
 ⚠️ **ADVERTENCIA:** Cáncer y Daño Reproductivo.  
[www.p65warnings.ca.gov](http://www.p65warnings.ca.gov) PH 201714

Item No.	Part No.	Description
<b>DIVERTER VALVE</b>		
1	271074Z	Screw Handle Lock
2	271072Z	Pin Handle Stop
3	270118Z	Handle
4	271077Z	Screw Kit (12 screws/kit)
5	270115Z	Diverter Valve Cover
6	270116Z	O-Ring, 2-248 Buna-N 70 Shore A (1 req.)
7	271073Z	O-ring, Spacer (1 req.)
8	192039Z	O-Ring, 2-116 Buna-N 70 Shore A (2 req.)
9	270106Z	Diverter Shaft Assy
10	270107Z	Diverter Assy Solar 3-Way Valve w/ Drain Down Check Valve
<b>CHECK VALVE</b>		
1	270119Z	Check Valve Flapper Replacement Kit (includes items 2 & 3)
2	271077Z	Screw Kit (12 Screw/Kit)
3	270116Z	O-Ring 2-248 Buna-N 70 Shore A (1 req.)

# 2 IN. TOP MOUNT VALVE

## REPLACEMENT PARTS



CALIFORNIA PROPOSITION 65 WARNING  
 ⚠️ **WARNING:** Cancer and Reproductive Harm.  
 ⚠️ **AVERTISSEMENT:** Peut Causer le Cancer et des Dommages au Système Reproducteur.  
 ⚠️ **ADVERTENCIA:** Cáncer y Daño Reproductivo.  
[www.p65warnings.ca.gov](http://www.p65warnings.ca.gov) P/N263085

Item	Part No.	Description
<b>6 POSITION TOP MOUNT CLAMP-ON MULTI-PORT VALVE</b>		
1	190059Z	Pressure Gauge
2	270210Z	Valve Body
3	272541	Valve Body O-Ring
4	272556Z	Sight Glass
5	272557Z	Drain Plug
6	272558Z	Handle
7	272567Z	Sight Glass Gasket
8	272568Z	Valve Top Assembly*
9	272573Z	Drain Plug O-Ring
10	272576Z	Valve Position Label
11	272590Z	Union Kit
12	274402Z	Diffuser

\* Item #8 does not include screws.

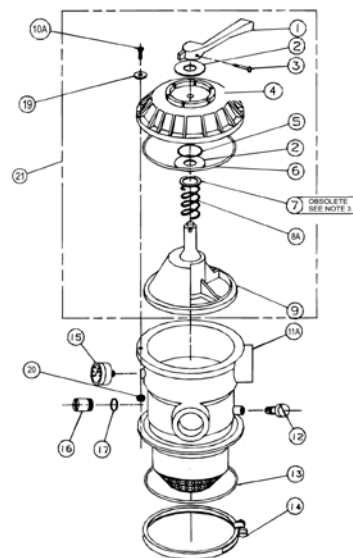
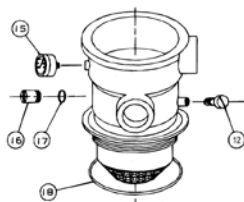
# SIX-WAY 1-1/2 IN. TOP MOUNT HIFLOW™ VALVES

## REPLACEMENT PARTS (PACFAB MULTIPOINT VALVES 262504, 262505, 262506)

### NOTE

- 1 VALVES MANUFACTURED BEFORE MARCH 1, 1993 DO NOT CONTAIN ITEM 16 SIGHT GLASS OR ITEM 17 SIGHT GLASS GASKET.
- 2 CLAMP STYLE VALVES MANUFACTURED BEFORE MARCH 1, 1993 CONTAIN A DIFFERENT AIR BLEEDER WITH O-RING P/N 272515. THIS PART IS NOT INTERCHANGEABLE WITH P/N 273512. THREADED VALVES MANUFACTURED BEFORE MARCH 1, 1993 DO NOT CONTAIN AN AIR BLEEDER WITH O-RING.
- 3 ITEM 8A USED ON VALVES MANUFACTURED AFTER MAY 1, 1992 AND REPLACES BOTH ITEMS 7 AND 8.
- 4 ITEMS 10A, 19 AND 20 ARE USED ON VALVES MANUFACTURED AFTER APRIL 15, 1994 AND REPLACE ITEM 10.

For (261130) 6 in.  
Buttress Style Valve For  
TA Filters



For (262504) (262505)(262506) Clamp Style Valve For TA-D Filters

CALIFORNIA PROPOSITION 65 WARNING

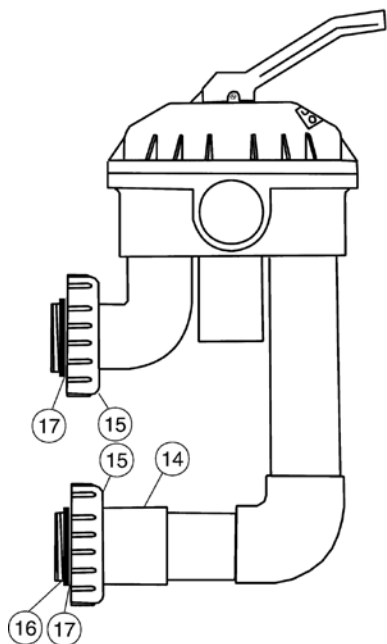
⚠ **WARNING:** Cancer and Reproductive Harm.  
 ⚠ **AVERTISSEMENT:** Peut Causer le Cancer et des Dommages au Système Reproducteur.  
 ⚠ **ADVERTENCIA:** Cáncer y Daño Reproductivo.

www.p65warnings.ca.gov. PH 201514

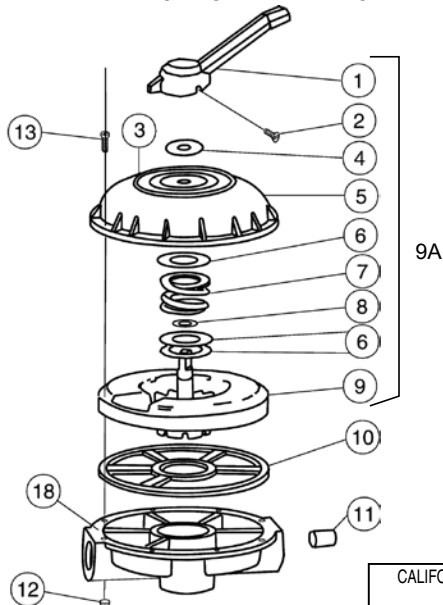
-Item No.	Part No.	Description
<b>6-WAY HIFLOW MULTIPOINT VALVES</b>		
1	272520	Handle
2	272505	Washer plastic, 2 req.
3	272405	Screw - handle
4	272599	Six-way valve label
5	272511	O-ring - diverter shaft
6	354053	O-ring - valve top
7	271193	Washer - s/s <sup>3</sup>
8	272400	Spring - comp. 100 lb. 1-13/16 o.d. <sup>3</sup>
8A	272535	Spring - comp. 100 lb. 1-3/8 o.d. <sup>3</sup>
9	272512	Diverter w/ gasket
10A	354541	Screw #10-24 hex pan head, 6 req. <sup>4</sup>
11A	272530	Valve body w/ diffuser - clamp style
12	273512	Air bleeder with O ring <sup>2</sup>
13	272541	O-ring - 3/16 in. x 4-5/8 in. i.d.
14	152165	Clamp
15	190059Z	Pressure gauge
16	272550	Sight glass <sup>1</sup>
17	271106	Gasket - sight glass <sup>1</sup>
18	154493	O-ring
19	272555	Washer - 9/16 s/s, 6 req. <sup>4</sup>
20	272554	Nut - #10-24 serrated flange s/s, 6 req. <sup>4</sup>
21	272531	HiFlow 1-1/2 in. top valve assy.

## 2 IN. HIFLOW™ VALVES

### REPLACEMENT PARTS FOR VALVES



Valves  
261049  
261050  
261142



CALIFORNIA PROPOSITION 65 WARNING  
 ⚠️ **WARNING:** Cancer and Reproductive Harm.  
 ⚠️ **AVERTISSEMENT:** Peut Causer le Cancer et des Dommages au Système Reproducteur.  
 ⚠️ **ADVERTENCIA:** Cáncer y Daño Reproductivo.  
[www.p65warnings.ca.gov](http://www.p65warnings.ca.gov) PR2019A

Item	Part No.	Description
<b>2 IN. HIFLOW VALVES</b>		
1	272520	Handle
2	272405	Screw - Handle
3	272120	Label
4	272402	Washer - Plastic
5	272412	Valve Top
6	271193	Washer - 18 GA., 2 req.
7	272400	Spring - Compression
8	JV18	O-ring Kit Bag
9	272413Z	Diverter
9A	272422	Valve top assy. <sup>1</sup>
10	272409	Seal - Diverter
11	154566	Sight Glass 2 in. clear
12	98211400	Nut 1/4 in.- 20 Hex, 8 req.
13	272403	Screw 1/4 in.- 20, 8 req.
15	274407	Nut - Bulkhead adapter, 2 req.
16	274426	Adapter - Union Kit
17	274494	O-ring - Bulkhead adapter, 2 req.
18	272433	Valve btm. 2 in. w/ gasket <sup>2</sup>

<sup>1</sup> This part number includes items 1 thru 9.

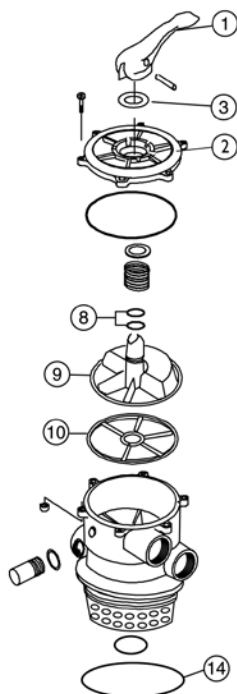
<sup>2</sup> 272433 valve btm. 2 in. w/ gasket contains one each of: 272409 seal diverter and 272415 Plate 2 in. valve btm.

# TOP MOUNT CLAMP-ON MULTIPOINT VALVES

## REPLACEMENT PARTS FOR AMERICAN VALVES

P/N 50113100  
1-1/2 in. thrd.

P/N 50123100  
2 in. slip



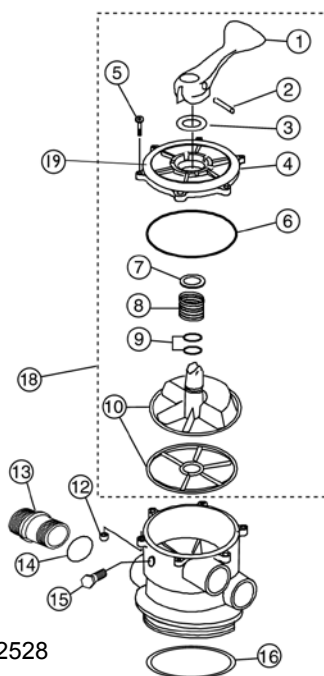
Item	Part No.	Description
<b>6 POSITION TOP MOUNT CLAMP-ON MULTIPOINT VALVE</b>		
1	271156	Handle
2	98740900	Label multiport valve - 2 in. eclipse
3	51001400	Washer, poly
8	191479	O-ring
9	51002800	Rotor 1-1/2 in.
9	51002900	Rotor 2 in.
10	271104	Gasket, spider, 1-1/2 in. valve
10	271148Z	Gasket, spider, 2 in. valve
14	39300600Z	O-ring, 26 & 30 in. filter

CALIFORNIA PROPOSITION 65 WARNING

⚠ **WARNING:** Cancer and Reproductive Harm.  
 ⚠ **AVERTISSEMENT:** Peut Causer le Cancer et des Dommages au Système Reproducteur.  
 ⚠ **ADVERTENCIA:** Cáncer y Daño Reproductivo.  
[www.p65warnings.ca.gov](http://www.p65warnings.ca.gov)

# TOP MOUNT CLAMP-ON MULTIPOINT VALVES

## REPLACEMENT PARTS FOR AMERICAN VALVES



P/N 272528

5 Position Product No.: 50115100

8 Position Product Nos.: 50118100,  
50118200, & 50118300

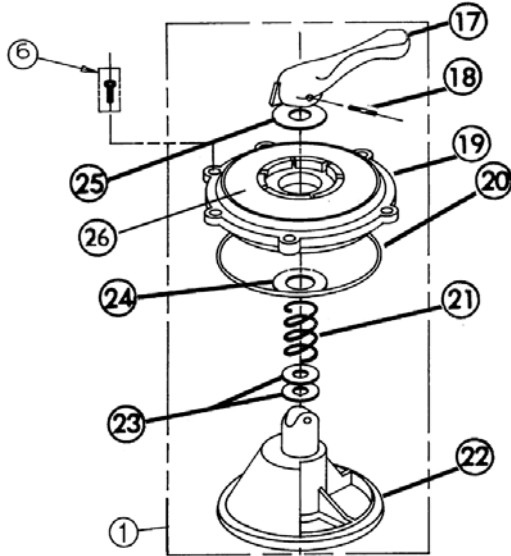
Item	Part No.	Description
<b>5 &amp; 8 POSITION TOP MOUNT CLAMP-ON MULTIPOINT VALVE</b>		
1	50131100	Handle, 8-pos.
2	50151400	Pin, handle
3	51025700	Washer, poly
4	50133100	Lid assy., 8-pos., w/ label
5	98209000	Screw 14-20 x 1-1/2 in., 6 req.
6	50151700	O-ring, lid
7	51021600	Washer
8	51000700	Spring
9	191479	O-ring, rotor, 2 req.
10	50131400	Rotor, spider gasket assy.
12	98211400	Nut, 1/4 in. -20, 6 req.
13	85019000	Sight glass, 18, 20 in. sand filter
13	85019100	Sight glass, 22, 26 in. sand filter
14	50152300	O-ring, backwash sight glass
15	98206400	Plug, 1/4 in. NPT w/ O-ring
16	39300600Z	O-ring, 26, 30 in. sand filter
18	272528	Top Valve Assy.
19	96734200	Label multiport valve 8 pos.

CALIFORNIA PROPOSITION 65 WARNING

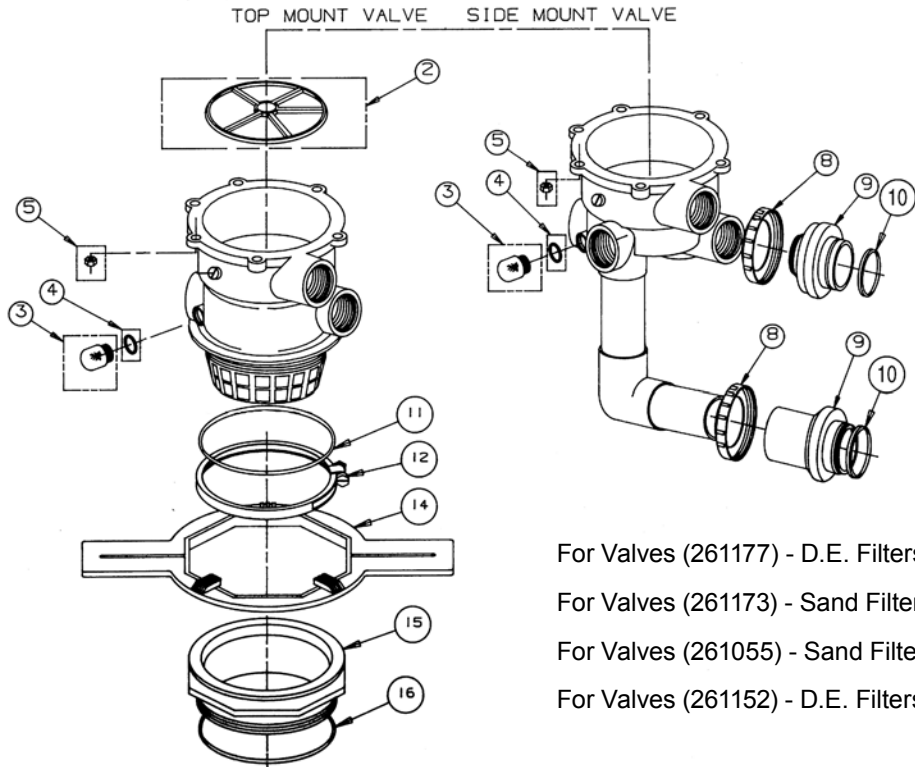
⚠ **WARNING:** Cancer and Reproductive Harm.  
 ⚠ **AVERTISSEMENT:** Peut Causer le Cancer et des Dommages au Système Reproducteur.  
 ⚠ **ADVERTENCIA:** Cáncer y Daño Reproductivo.  
[www.p65warnings.ca.gov](http://www.p65warnings.ca.gov)

# TOP MOUNT / SIDE MOUNT VALVES

## REPLACEMENT PARTS FOR PACFAB MULTIPOINT VALVES



For use on TR, TA, NS or FNS filters



For Valves (261124, 261185)

For Valves (261177) - D.E. Filters  
 For Valves (261173) - Sand Filters  
 For Valves (261055) - Sand Filters  
 For Valves (261152) - D.E. Filters

CALIFORNIA PROPOSITION 65 WARNING  
 ⚠️ WARNING: Cancer and Reproductive Harm.  
 ⚠️ AVERTISSEMENT: Peut Causer le Cancer et des Dommages au Système Reproducteur.  
 ⚠️ ADVERTENCIA: Cáncer y Daño Reproductivo.  
 www.p65warnings.ca.gov. P#261144



# TOP MOUNT / SIDE MOUNT VALVES (CONT'D)

## REPLACEMENT PARTS FOR PACFAB MULTIPORT VALVES

Item	Part No.	Description
<b>TM/SM HIFLOW MULTIPORT VALVES</b>		
1	270068	Top valve assy. 1-1/2 in.
1	270067	Top valve assy. 2 in.
2	271104	Gasket - diverter, 1-1/2 in.
2	271148Z	Gasket - diverter, 2 in.
3	272550	Sight glass
4	271106	Gasket - sight glass
5	152167	Nut, M6 s/s, 6 req.
6	152168	Screw - M6 x 30mm s/s, 6 req.
8	274407	Nut - bulkhead adapter, 2 req.
9	274404	Adapter - valve, slip 1-1/2 in.
9	274651	Adapter - valve, threaded 1-1/2 in.
9	274556	Adapter - valve thread, 2 in.
10	274494	O-ring - adapter, 2 req.
11	272541	O-ring - valve adapter, 1-1/2 in.
11	275333	O-ring - valve, 2 in.
12	152165	Clamp with screws and nuts, 1-1/2 in.
12	152130	Band assy. - valve, 2 in.
14	154512	Wrench - flanged valve, 1-1/2 in.
14	151608	Wrench - adapter flange
15	155225	Adapter - flanged std. thread, 1-1/2 in.
15	152520Z	Adapter - flanged buttress, 1-1/2 in.

Item	Part No.	Description
15	154521	Adapter - flange buttress thread, 2 in.
16	154493	O-ring flanged valve adapter, 1-1/2 in.
16	152501	O-ring - adapter, 2 in.
17	271156	Handle
18	271164	Pin, handle
19	271158	Valve top, white, 1-1/2 in.
19	271165	Valve top, black, 1-1/2 in.
19	271166	Top valve cover, blk, 2 in.
19	271169	Top valve cover, blk, 2 in.
20	271103	O-ring, valve top, 1-1/2 in.
20	271151	O-ring, valve top, 2 in.
21	271161	Valve spring
22	271163	Valve diverter, 1-1/2 in.
22	271168	Valve diverter, 2 in.
23	191479	O-ring, stem, 2 req.
24	271160	Washer, valve spring
25	271157	Washer, handle
26	273208	Label 2 in. Sand (261055)
26	273207	Label 2 in. D.E. (261152)
26	271140	Label 1.5 in. Sand (261173)
26	271141	Label 1.5 in. D.E. (261177)
26	272035	Label 1.5 in. Sand (261124)
26	273211	Label 2 in. Sand (261185)

CALIFORNIA PROPOSITION 65 WARNING

⚠ **WARNING:** Cancer and Reproductive Harm.  
 ⚠ **AVERTISSEMENT:** Peut Causer le Cancer  
 et des Dommages au Système Reproducteur.  
 ⚠ **ADVERTENCIA:** Cáncer y Daño Reproductivo.  
[www.p65warnings.ca.gov](http://www.p65warnings.ca.gov)

# MULTIPOINT SIDE MOUNT 1-1/2 IN. VALVES

## REPLACEMENT PARTS FOR STA-RITE VALVES



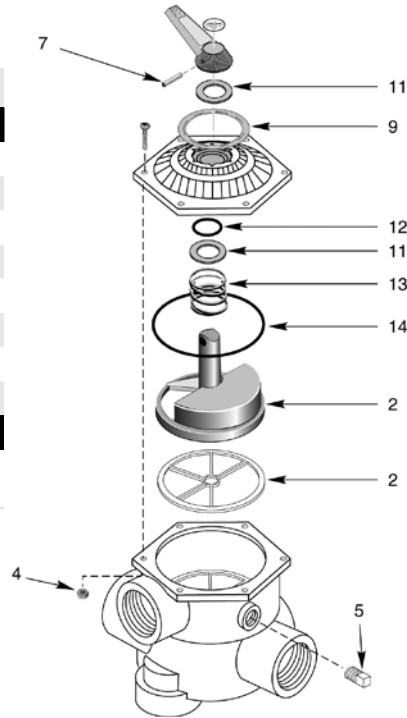
Item	Part No.	Description
<b>MULTIPOINT SIDE MOUNT 1-1/2 IN. VALVE</b>		
2	14962-0017	Plug and Gasket
4	98211400	Hex Nut, 1/4-20 S.S.
5	WC78-40T	Plug, 1/4 in.
7	35857-0021	Dowel Pin, 5/16 x 2-1/2 in. S.S.
11	14962-0005	Washer
12	35505-1228	O-Ring
13	14962-0011	Spring
14	35505-1272	O-Ring
<b>NOT SHOWN</b>		
14962-0035	Spring and O-Ring Kit, Includes Items 11, 12, 13 & 14	

**MODELS**

14964-0014 – Hose Connection  
 WC212-143P – Union onnection

CALIFORNIA PROPOSITION 65 WARNING

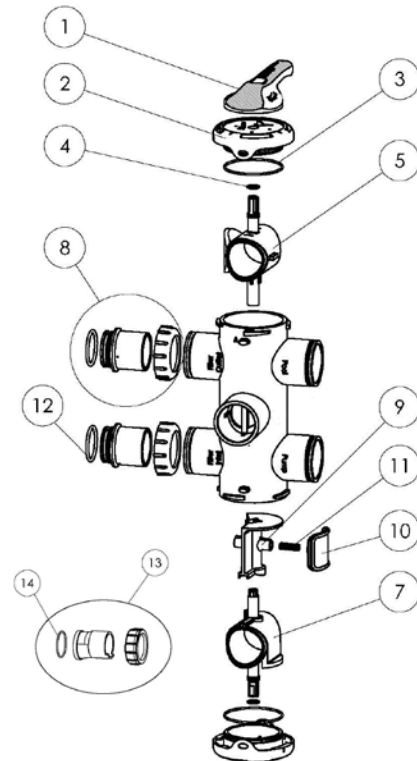
⚠ **WARNING:** Cancer and Reproductive Harm.  
 ⚠ **AVERTISSEMENT:** Peut Causer le Cancer et des Dommages au Système Reproducteur.  
 ⚠ **ADVERTENCIA:** Cáncer y Daño Reproductivo.  
[www.p65warnings.ca.gov](http://www.p65warnings.ca.gov)



# FULLFLOXF® BACKWASH VALVE

## REPLACEMENT PARTS FOR VALVES

Item	Part No.	Description
<b>FULLFLOXF BACKWASH VALVE</b>		
1	270187Z	Handle
2	270190Z	End Cap, 2 Req.
3	270197Z	O-Ring #2-244 Buna, 2 Req.
4	192039Z	O-Ring #2-116 Buna, 2 Req.
5	270199Z	Outlet Diverter
7	270200Z	Inlet Diverter
8	274426Z	Pentair Union Assembly
9	274416Z	Center Diverter
10	274417Z	Waste Seal
11	274421Z	Waste Seal Spring
12	274494	O-Ring #2-332 Buna
13	261067Z	Sta-Rite Union Assembly
14	U9-362	O-Ring #2-231 Buna
<b>NOT SHOWN</b>		
270514Z	Rebuilt Kit includes Item 3 (Qty. 2), Item 4 (Qty. 2), and Items 5, 7, and 10.	
411101Z	XF Union Kit	



# MULTIPORT SIDE MOUNT 1-1/2 & 2 IN. VALVES

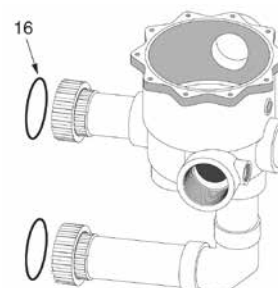
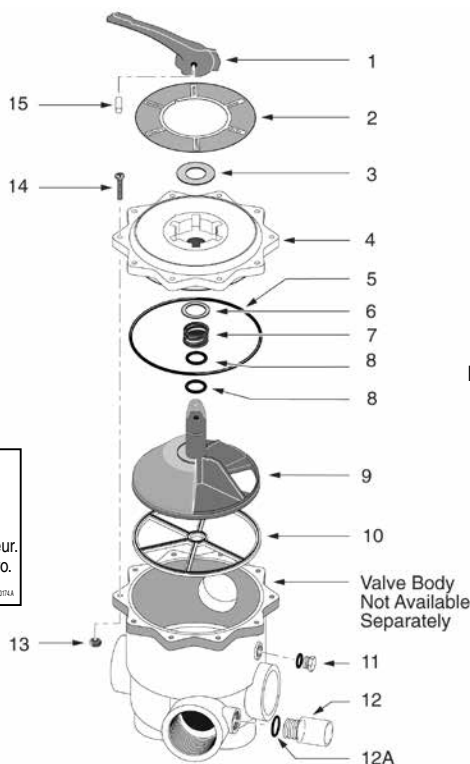
## REPLACEMENT PARTS FOR STA-RITE VALVES



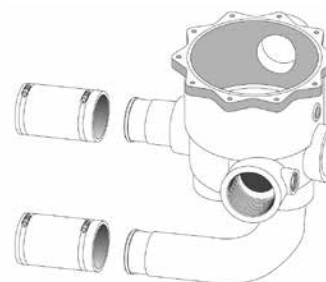
### MODELS

- 18202-0150
- 18202-0150H
- 18201-0200
- 18201-0200H
- 18201-0300
- 18202-0250

CALIFORNIA PROPOSITION 65 WARNING  
 ⚠️ **WARNING:** Cancer and Reproductive Harm.  
 ⚠️ **AVERTISSEMENT:** Peut Causer le Cancer et des Dommages au Système Reproducteur.  
 ⚠️ **ADVERTENCIA:** Cáncer y Daño Reproductivo.  
[www.p65warnings.ca.gov](http://www.p65warnings.ca.gov) P9-2017-14



Models 18202-0150, 18201-0200, and 18201-0300 include union halves as shown.



Models 18202-0150H and 18202-0200H require hose connector kits.

Item	Part No.	Description
<b>MULTIPORT SIDE MOUNT 1-1/2 &amp; 2 IN. VALVE</b>		
1	14971-SM10E1	Handle
2	32155-4136	Label Decal (2 in. Valve) (18201-0200 & 18201-0200H)
2	32155-4133	Label Decal (1.5 in. Valve) (18202-0150 & 18202-0150H)
2	32155-4171	Label Decal (1.5 in. Valve) (18202-0250)
3	14971-SM10E3	Washer
4	14971-SM10E6	Valve Cover (1-1/2 in. Valve)
4	14971-SM20E6	Valve Cover (2 in. Valve)
5	14971-SM20E7	Cover O-Ring (2 in. Valve)
6	14971-SM10E8	Washer
7	14971-SM10E9	Spring
8	14971-SM10E10	O-Ring
9	14971-SM10E11	Plug (1-1/2 in. Valve)
9	14971-SM20E11	Plug (2 in. Valve)
10	14971-SM10E12	Spider Gasket (1-1/2 in. Valve)
10	14971-SM20E12	Spider Gasket (2 in. Valve)
11	U178-920PZ	1/4 in. NPT Plug w/ O-Ring
12	14971-SM10E17	Sight Glass
12A	14971-SM10E16	Sight Glass Gasket
13	14971-SM10E14	Nut (6 for 1-1/2 in., 10 for 2 in.)
14	14971-SM10E4	Bolt (6 for 1-1/2 in., 10 for 2 in.)
15	14971-SM10E2	Handle Pin
16	U9-362	O-Ring (-0150, -0200 only)

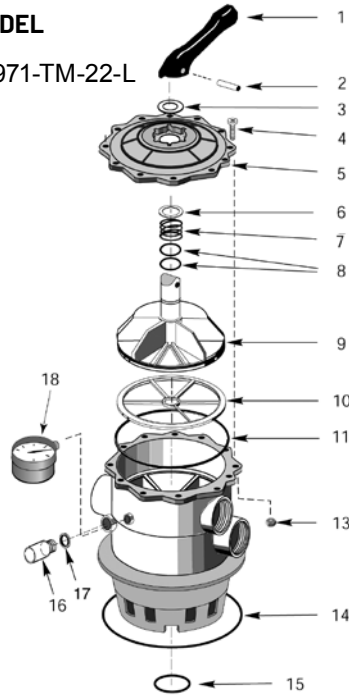
# MULTIPOINT 2 IN. VALVES

## REPLACEMENT PARTS FOR STA-RITE VALVES



MODEL

14971-TM-22-L



Item	Part No.	Description
<b>MULTIPOINT 2 IN. VALVE</b>		
1	14971-SM10E1	Handle (ABS)
2	14971-SM10E2	Pin (S.S. 304)
3	14971-SM10E3	Washer
4	14971-SM10E4	Screw (S.S. 304)
5	14971-SM20E6	Valve Cover (ABS)
6	14971-SM10E8	Washer
7	14971-SM10E9	Spring (S.S. 304)
8	14971-SM10E10	O-Ring (Mitrile)
9	14971-SM20E11	Plug & Gasket Assembly
10	14971-SM20E12	Gasket (Kratom)
11	14971-SM20E7	O-Ring, Cover
13	14971-SM10E14	Nut, Hex (S.S. 304)
14	U9-369	O-Ring, Tank Flange
15	35505-1243	O-Ring, Stand Pipe
16	14971-SM10E17	Sight Glass
17	14971-SM10E16	Sight Glass, Gasket
18	15060-0000T	Gauge, Pressure
<b>NOT SHOWN</b>		
	14971-SM20E50	Key Assembly Items 1-10

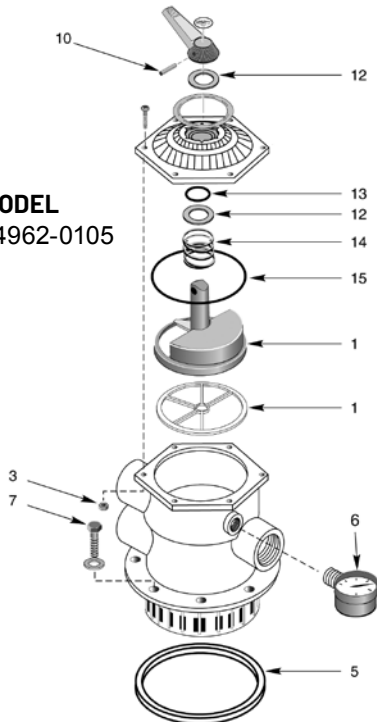
# MULTIPOINT TOP MOUNT 1-1/2 IN. VALVES

## REPLACEMENT PARTS FOR STA-RITE VALVES



MODEL

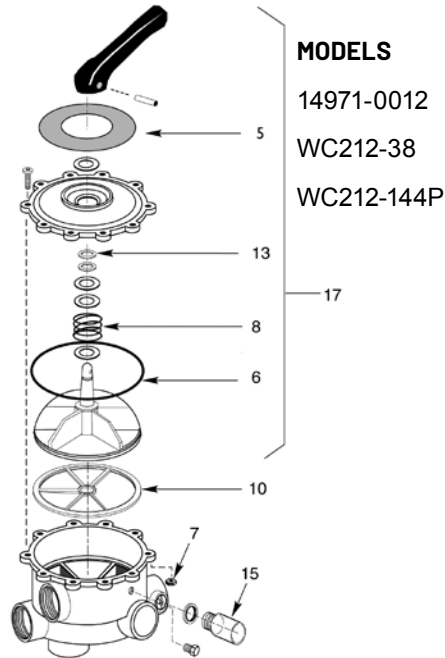
14962-0105



Item	Part No.	Description
<b>MULTIPOINT TOP MOUNT 1-1/2 IN. VALVE</b>		
1	14962-0017	Plug with Gasket
3	98211400	Hex Nut, 1/4-20 S.S.
5	14962-0021	Square Ring, BUNA-N
6	15060-0000T	Pressure Gauge - 0-60 PSI
7	U30-74SS	Bolt, 3/8-16 x 1 in. S.S.
10	35857-0021	Dowel Pin, 5/16 x 2-1/2 in. S.S.
12	14962-0005	Washer, Celcon
13	35505-1228	O-Ring, Parker #2-216, BUNA-N
14	14962-0011	Spring, Compression
15	35505-1272	O-Ring, Parker #2-255
<b>NOT SHOWN</b>		
	14962-0035	Spring and O-ring Kit, includes items 12, 13, 14 & 15

# MULTIPOINT SIDE MOUNT 2 IN. VALVE PLUG & GASKET KIT

## REPLACEMENT PARTS FOR STA-RITE VALVES



### MODELS

14971-0012

WC212-38

WC212-144P

Item	Part No.	Description
<b>MULTIPOINT 2 IN. VALVE PLUG &amp; GASKET KIT</b>		
5	60000-0706	Label
6	35505-1412	O-Ring <sup>1</sup>
7	35407-0071	Nut, 1/4 -20 S.S.
8	14971-0006	Spring <sup>1</sup>
10	14971-0005	Gasket, Valve Seat
13	57006800	O-Ring <sup>1</sup>
15	14971-0009	Sight Glass
17	77704-0100	Cover and Plug Assembly Kit, includes items 5 & 9

<sup>1</sup> Kit includes 2 hoses, 4 clamps.

**CALIFORNIA PROPOSITION 65 WARNING**

⚠ **WARNING:** Cancer and Reproductive Harm.  
 ⚠ **AVERTISSEMENT:** Peut Causer le Cancer et des Dommages au Système Reproducteur.  
 ⚠ **ADVERTENCIA:** Cáncer y Daño Reproductivo.  
[www.p65warnings.ca.gov](http://www.p65warnings.ca.gov)

# FULLFLOW® VALVES

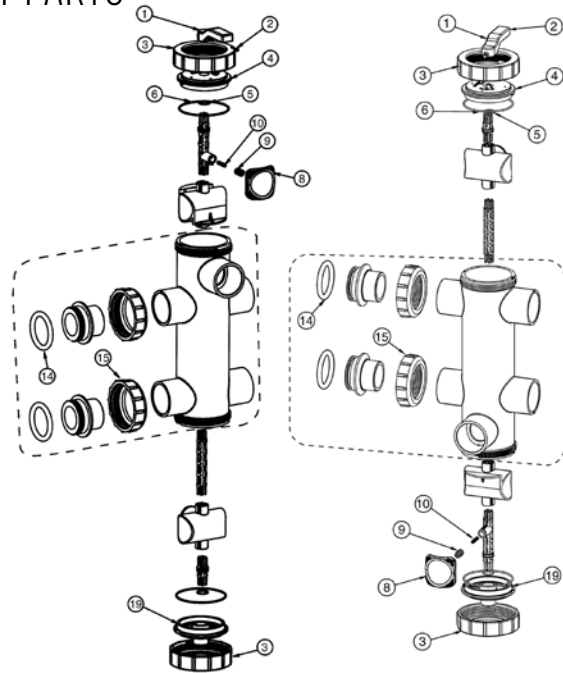
## REPLACEMENT PARTS

Item	Part No.	Description
<b>FULLFLOW VALVES</b>		
1	278006	Handle
2	072536	Screw
3	278020	Cap, nut, 2 req.
4	278021	Cap, insert - top.
5	192039Z	O-ring #2-116 Bunan, 2 req.
6	275300	O-ring #2-154 Bunan 70, 2 req.
8	278019	Seal, waste.
9	271065	Spring, .42 o. d..
10	270006	Spring, .24 o. d..
14	274494	O-ring, adapter, 2 req.
15	274440	Nut, adapter, 2 req. <sup>1</sup>
19	278022	Cap insert, bottom
20	270011	Shaft Assembly

<sup>1</sup> Items may not be purchased separately, order item #20, Shaft Assy.

CALIFORNIA PROPOSITION 65 WARNING

⚠ **WARNING:** Cancer and Reproductive Harm.  
 ⚠ **AVERTISSEMENT:** Peut Causer le Cancer et des Dommages au Système Reproducteur.  
 ⚠ **ADVERTENCIA:** Cáncer y Daño Reproductivo.  
[www.p65warnings.ca.gov](http://www.p65warnings.ca.gov)



FullFlow Sand Valve  
263010  
7-1/2 in. Centerline  
Filters

FullFlow D. E. Valve  
263011  
7-1.2 in. Centerline  
Filters

# PUSH PULL™ VALVE

## REPLACEMENT PARTS FOR AMERICAN VALVES

Item	Part No.	Description
<b>PUSH PULL VALVES</b>		
1	51013811	Valve stem complete, w/ handle
2	51013011	Nut
3	51013500	O-ring, nut
4	51013111	Reducer bushing, 2 in. male x 1-1/2 in.
5	6020006	O-ring, cap
6	51012911	Cap
8	51005000	O-ring, valve stem, 2 in., 2 req.
9	273062	O-ring, bulkhead, 8 in. model only
10	51013500	O-ring, bulkhead, 8 in. model only
11	274494	O-ring, bulkhead, 7-1/2 in. model only

Both items 9 and 10 are included in the kit for multiple applications. Choose only the one set appropriate for your application.

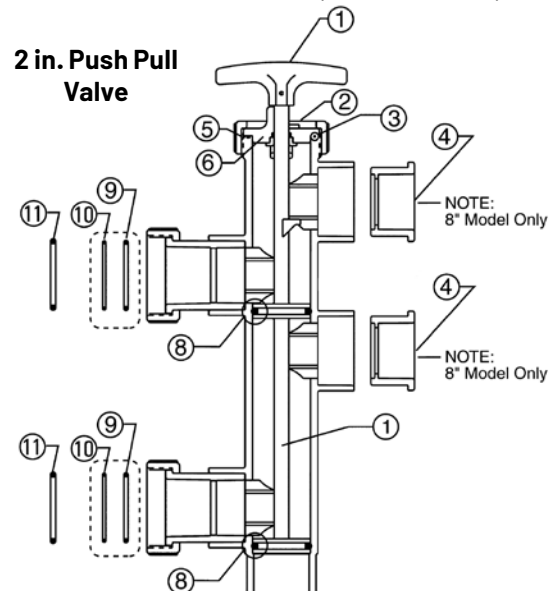
CALIFORNIA PROPOSITION 65 WARNING

⚠ **WARNING:** Cancer and Reproductive Harm.  
 ⚠ **AVERTISSEMENT:** Peut Causer le Cancer et des Dommages au Système Reproducteur.  
 ⚠ **ADVERTENCIA:** Cáncer y Daño Reproductivo.  
[www.p65warnings.ca.gov](http://www.p65warnings.ca.gov)

### MODELS

263064 (7-1/2 in. centerline)

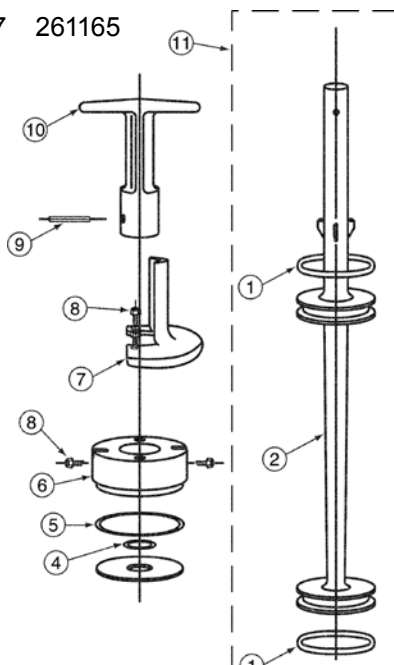
50290211 (8 in. centerline)



# 2 IN. PVC SLIDE VALVE

## REPLACEMENT PARTS FOR SLIDE VALVES

**MODELS**  
261047 261165

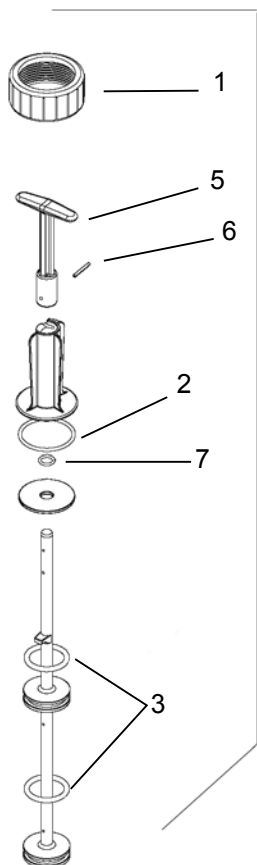


Item	Part No.	Description
<b>2 IN. PVC SLIDE VALVE</b>		
1	273090	O-ring - 1-1/2 in. i.d. x 3/16 in. dia., 2 req.
2	273106	Piston Shaft
4	JV18	O-ring Kit
5	273062	O-ring - 2-1/8 in. i. d. x 1/8 in. dia.
6	273077	Plug - 5/8 in. i.d. x 2-3/8 in. o.d.
7	273064	Position Bracket
8	273071	Screw - #14 - 18-8 s/s, 4 req.
9	273063	Pin - 1/8 in. dia. x 1-1/8 in. long s/s.
10	273089	Handle for plastic shaft - 5/8 in. i.d.
11	273241Z	Piston rod assy.
<b>NOT SHOWN</b>		
	154566	Sight glass - 2 in. clear

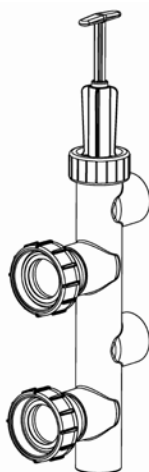
CALIFORNIA PROPOSITION 65 WARNING  
 ⚠️ **WARNING:** Cancer and Reproductive Harm.  
 ⚠️ **AVERTISSEMENT:** Peut Causer le Cancer et des Dommages au Système Reproducteur.  
 ⚠️ **ADVERTENCIA:** Cáncer y Daño Reproductivo.  
[www.p65warnings.ca.gov](http://www.p65warnings.ca.gov) P19.200714

# SLIDE VALVES

## REPLACEMENT PARTS FOR SLIDE VALVES



**MODELS**  
263064  
263052 263078  
263053 263079



263053

Item	Part No.	Description
<b>SLIDE VALVE</b>		
1	270141	Nut, Black SF PMP/VLV PSHPL
2	273062	O-ring
3	51005000	O-ring
4	263055	Kit, Piston Shaft Assembly
5	270134	Handle
6	273063	Pin
7	6020006	O-ring
<b>NOT SHOWN</b>		
	263054	Kit, O-rings. Includes all valve O-rings.

CALIFORNIA PROPOSITION 65 WARNING  
 ⚠️ **WARNING:** Cancer and Reproductive Harm.  
 ⚠️ **AVERTISSEMENT:** Peut Causer le Cancer et des Dommages au Système Reproducteur.  
 ⚠️ **ADVERTENCIA:** Cáncer y Daño Reproductivo.  
[www.p65warnings.ca.gov](http://www.p65warnings.ca.gov) P19.200714

Product on pages 254 and 257.

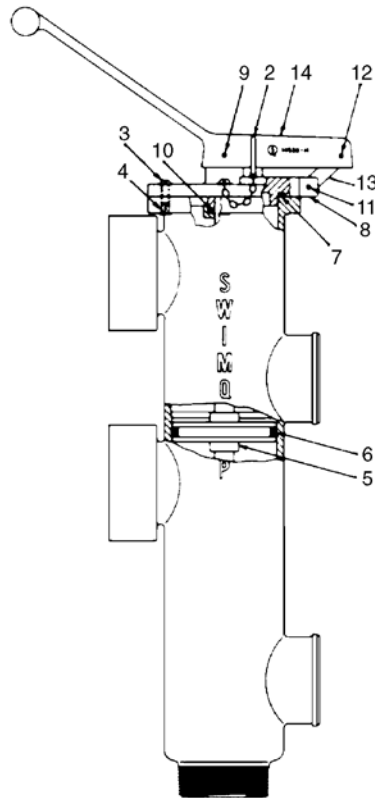
# PLASTIC SLIDE VALVE

## REPLACEMENT PARTS FOR STA-RITE PLASTIC SLIDE VALVE


**MODEL**

WC212-134P

14936-0000



Item	Part No.	Description
<b>PLASTIC SLIDE VALVE</b>		
2	WC30-84	Lock Pin Assembly
3	37107-0085	Screw
4	34302-0518	Brass Insert
5	14930-0033	Piston Assembly
6	35505-1318	O-Ring
7	35505-1246	O-Ring
8	14930-0012	Index Plate
9	51009500	Spring Pin
10	35505-1116	O-Ring
11	51009500	Spring Pin
12	35817-0056	Spring Pin
13	14930-0016	Lever Linkage
14	14930-0014	Handle

**CALIFORNIA PROPOSITION 65 WARNING**

⚠ **WARNING:** Cancer and Reproductive Harm.  
 ⚠ **AVERTISSEMENT:** Peut Causer le Cancer  
 et des Dommages au Système Reproducteur.  
 ⚠ **ADVERTENCIA:** Cáncer y Daño Reproductivo.  
[www.p65warnings.ca.gov](http://www.p65warnings.ca.gov)

PWS2017A

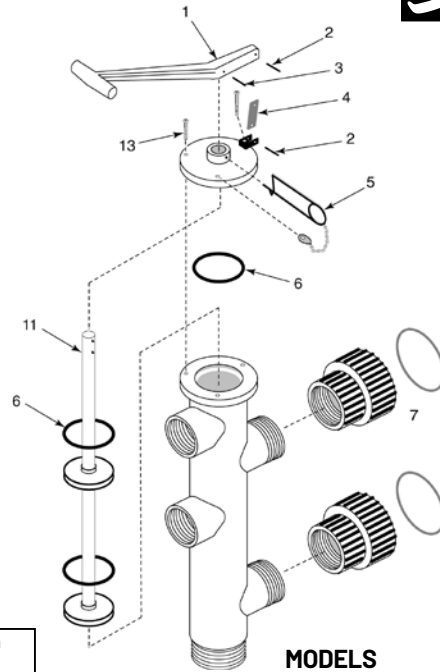


# BRONZE VALVES

## REPLACEMENT PARTS FOR STA-RITE VALVES



Item	Part No.	Description
<b>BRONZE VALVE</b>		
1	14821-0005	Lever Handle
2	35817-0056	Spring Pin
3	51009500	Spring Pin
4	14821-0008	Linkage
5	WC30-84	Lock Pin Assembly
6	35505-1401	O-Ring
7	77703-0100	Union Kit
8	38405-4089	Union Adapter
11	14819-0011	Piston Assembly, 1-1/2 in.
11	14823-0011	Piston Assembly, 2 in.
13	37062-0130	Screw
<b>NOT SHOWN</b>		
	35505-1116	O-Ring



**MODELS**

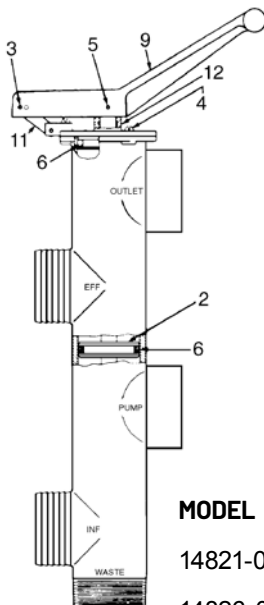
WC212-135D – 1-1/2 in.

WC212-136D – 2 in.

CALIFORNIA PROPOSITION 65 WARNING  
 ⚠️ **WARNING:** Cancer and Reproductive Harm.  
 ⚠️ **AVERTISSEMENT:** Peut Causer le Cancer et des Dommages au Système Reproducteur.  
 ⚠️ **ADVERTENCIA:** Cáncer y Daño Reproductivo.  
[www.p65warnings.ca.gov](http://www.p65warnings.ca.gov)

# BRONZE SLIDE VALVES

## REPLACEMENT PARTS FOR STA-RITE VALVES



**MODEL**

14821-0000 – 1-1/2 in.

14826-0000 – 2 in.

Item	Part No.	Description
<b>BRONZE SLIDE VALVE</b>		
2	14819-0011	Piston Assembly with O-Rings
3	35817-0056	Spring Pin
4	37062-0130	Screw
5	51009500	Spring Pin
6	35505-1401	O-Ring (Model 14821-6000)
6	35505-1313	O-Ring
9	14821-0005	Lever Handle
11	14821-0008	Linkage
12	35505-1116	O-Ring

CALIFORNIA PROPOSITION 65 WARNING  
 ⚠️ **WARNING:** Cancer and Reproductive Harm.  
 ⚠️ **AVERTISSEMENT:** Peut Causer le Cancer et des Dommages au Système Reproducteur.  
 ⚠️ **ADVERTENCIA:** Cáncer y Daño Reproductivo.  
[www.p65warnings.ca.gov](http://www.p65warnings.ca.gov)

