

PUMP PARTS

Product Catalog 2022

INTELLIFLO® & INTELLIPRO® PUMP DRIVE PART NUMBER HISTORY

REPLACEMENT PARTS

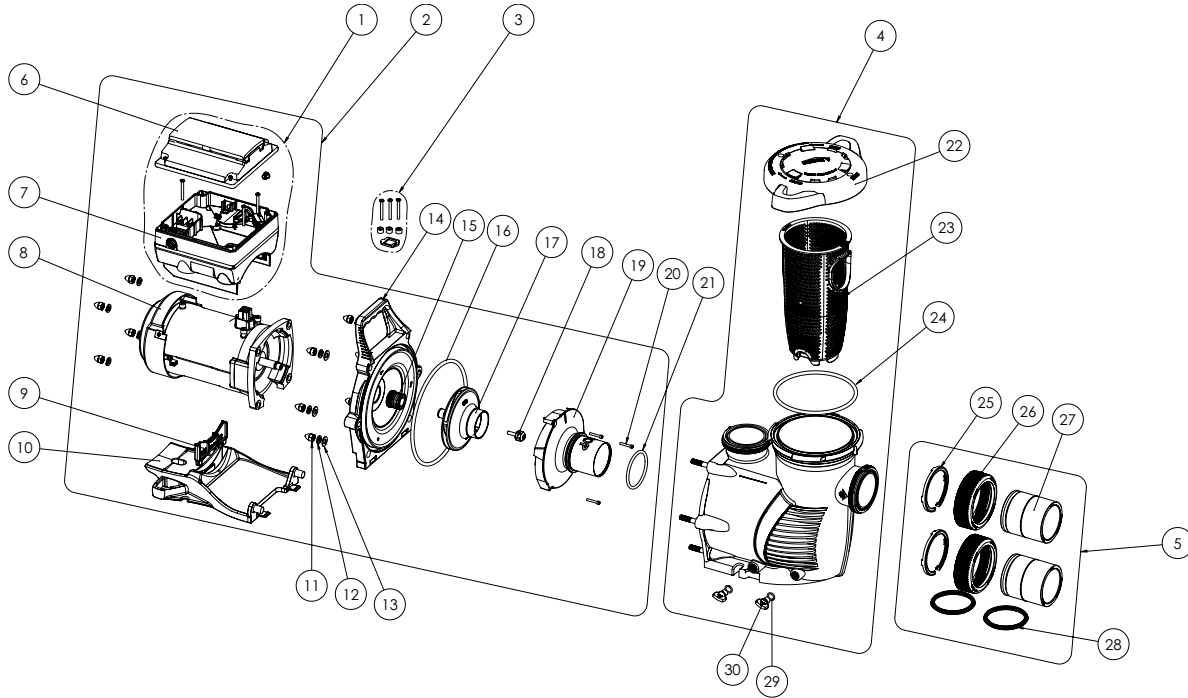
NOTE: The table below lists original drive kit part numbers and active replacement parts for the IntelliFlo and IntelliPro family pump product lines.

| Pump Part No. | Pump Name | Pump Obsolete? | Original Drive Kit | Original Drive Available? | Current Drive Part No. | Current Keypad Part No. | Current Drive Kit |
|--|------------------------------------|----------------|--------------------|---------------------------|------------------------|-------------------------|-------------------|
| IntelliFlo Family Pump Product Line | | | | | | | |
| 011008 | IntelliFlo i1 <i>original</i> | Yes | 353251 | No | 356878Z | 357527Z | 356879Z |
| 011009 | IntelliFlo i2 <i>original</i> | Yes | 353251 | No | 356878Z | 357527Z | 356879Z |
| 011018 | IntelliFlo VS <i>original</i> | Yes | 353251 | No | 356878Z | 357527Z | 356879Z |
| 011017 | IntelliFlo VS+SRVS <i>original</i> | Yes | 351021 | No | 356910Z | 357527Z | 356911Z |
| 011012 | IntelliFlo VF | Yes | 350721 | No | 356880Z | 357527Z | 356944Z |
| 011059 | IntelliFlo i1 | No | 356879Z | Yes | 356878Z | 357527Z | 356879Z |
| 011060 | IntelliFlo i2 | No | 356879Z | Yes | 356878Z | 357527Z | 356879Z |
| 011055 | IntelliFlo 2 VST | Yes | 356879Z | Yes | 356878Z | 357527Z | 356879Z |
| 011028 | IntelliFlo VS | No | 356879Z | Yes | 356878Z | 357527Z | 356879Z |
| 011057 | IntelliFlo VS+SVRS | No | 356911Z | Yes | 356910Z | 357527Z | 356911Z |
| 011056 | IntelliFlo VSF | No | 356922Z | Yes | 356944Z | 357527Z | 356971Z |
| 022005 | IntelliFloXF VS <i>original</i> | Yes | 353251 | No | 356878Z | 357527Z | 356879Z |
| 022055 | IntelliFloXF VS | No | 356879Z | Yes | 356878Z | 357527Z | 356879Z |
| 022056 | IntelliFloXF VSF | No | 357521Z | Yes | 356896Z | 357527Z | 357521Z |
| IntelliPro Family Pump Product Line | | | | | | | |
| P6E6VS4H-209L | IntelliPro VS | No | 353252 | No | 356892Z | 358527Z | 356893Z |
| P6E6XS4H-209L | IntelliPro VS+SVRS <i>original</i> | Yes | 353250 | No | 356912Z | 358527Z | 356913Z |
| 013001 | IntelliPro 2 VST | Yes | 356893Z | Yes | 356892Z | 358527Z | 356893Z |
| 013002 | IntelliPro VS+SVRS | No | 356913Z | Yes | 356912Z | 358527Z | 356913Z |
| 013004 | IntelliPro VSF | No | 353141Z | Yes | 356657Z | 358527Z | 353141Z |
| 023005 | IntelliProXF VS <i>original</i> | Yes | 353252 | No | 356892Z | 358527Z | 356893Z |
| 023055 | IntelliProXF VS | No | 356893Z | Yes | 356892Z | 358527Z | 356893Z |
| 023056 | IntelliProXF VSF | No | 352032Z | Yes | 356898Z | 358527Z | 352032Z |

CALIFORNIA PROPOSITION 65 WARNING
 ⚠️ WARNING: Cancer and Reproductive Harm.
 ⚠️ AVERTISSEMENT: Peut Causer le Cancer et des Dommages au Système Reproducteur.
 ⚠️ ADVERTENCIA: Cáncer y Daño Reproductivo.
www.p65warnings.ca.gov PA 201514

INTELLIFLOX[®] VSF PUMP INTELLIFLOX[®] VS PUMP - AFTER AUGUST 2015

REPLACEMENT PARTS



| Item | Part No. | Description |
|------------------------|-------------|--|
| INTELLIFLO PUMP | | |
| 1 | 357521Z | Drive Kit (VSF model) |
| 1 | 356879Z | Drive Kit (VS model) |
| 2 | 400655Z | Power End Kit (VS model) |
| 3 | 355685 | Drive Hardware Kit |
| 4 | 400000 | Wet End Assembly |
| 5 | 410020 | Union Kit w/o Tap |
| 6 | 357527Z | Keypad Assembly Kit |
| 7 | 356896Z | Drive (VSF model) |
| 7 | 356878Z | Drive (VS model) |
| 8 | 350305S | Motor |
| 9 | 070929 | Motor Support Insert |
| 10 | 400004Z | Motor Base |
| 11 | 071413 | Acorn Nut (Qty. 10) |
| 12 | U43-12SS | Lock Washer (Qty. 10) |
| 13 | 072184 | Flat Washer (Qty. 6) |
| 14 | 400002 | Seal Plate |
| 15 | 17351-0101S | Mechanical Seal |
| 16 | 351446 | Seal Plate O-Ring |
| 17 | 400015Z | Impeller assembly (includes screw and washer) |
| 18 | 37337-6080 | Impeller Screw, Plastic-Head (pumps mfg. before 10/7/19) |
| 18 | 356073 | Impeller Screw, Metal-Head (pumps mfg. after 10/7/19) |
| 19 | 400010 | Diffuser |

| Item | Part No. | Description |
|------|------------|-------------------------------------|
| 20 | 353323 | Diffuser Screws |
| 21 | 350336 | Diffuser O-Ring |
| 22 | 400006 | Lid/Locking Ring Assembly |
| 23 | 400007Z | Strainer Basket |
| 24 | 35505-1440 | Lid/Locking Ring O-Ring |
| 25 | 410001 | 2.5" C-Clip Locking Ring (Qty. 2) |
| 26 | 411000 | 2.5" Union Nut (Qty. 2) |
| 27 | 410002 | 2.5" Union Adapter w/o Tap (Qty. 2) |
| 28 | 410016Z | 2.5" Diamond Seal Kit (Qty. 2) |
| 29 | 192115Z | Drain Plug O-Ring (Qty. 2) |
| 30 | 071131Z | Drain Plug (2 req.) |

| NOT SHOWN | | |
|------------------|---------|----------------------------|
| | 356904Z | Keypad Relocation Kit |
| | 400031Z | Seal Plate w/Mech Seal |
| | 350122 | 50 Ft. Communication Cable |
| | 352401 | Motor Fan Kit |
| | 072172 | Impeller screw washer |

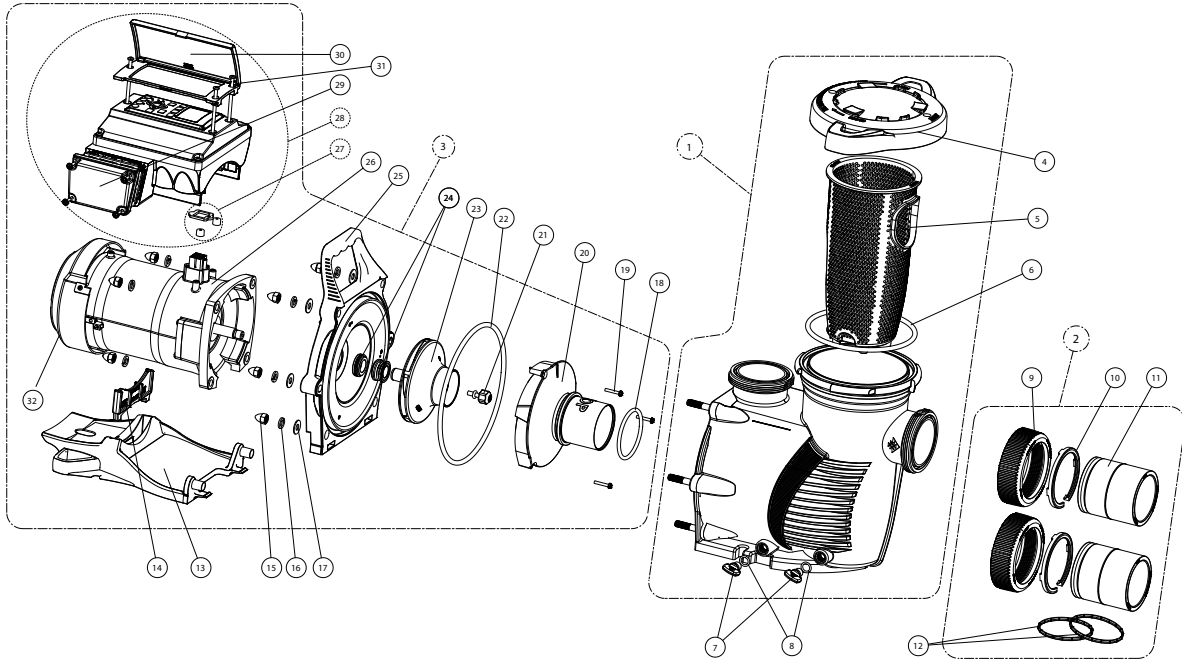
CALIFORNIA PROPOSITION 65 WARNING

⚠ **WARNING:** Cancer and Reproductive Harm.
 ⚠ **AVERTISSEMENT:** Peut Causer le Cancer et des Dommages au Système Reproducteur.
 ⚠ **ADVERTENCIA:** Cáncer y Daño Reproductivo.

www.p65warnings.ca.gov
PH020714A

INTELLIFLOXF® VARIABLE SPEED PUMP - BEFORE AUGUST 2015

REPLACEMENT PARTS



| Item | Part No. | Description |
|--------------------------|------------|---------------------------------|
| INTELLIFLOXF PUMP | | |
| 1 | 400000 | Wet End Assembly |
| 2 | 410020 | Union Kit |
| 3 | 400605Z | Power End Assy w/ Drive & Motor |
| 4 | 400006 | Lid/Locking Ring Assy |
| 5 | 400007Z | XF Series Replacement Basket |
| 6 | 35505-1440 | Lid/Locking Ring O-Ring |
| 7 | 071131Z | Drain Plug (2 req.) |
| 8 | 192115Z | Drain Plug O-ring (2 req.) |
| 9 | 411000 | 2.5 in. Union Nut |
| 10 | 410001 | 2.5 in. C-Clip Locking Ring |
| 11 | 410002 | 2.5 in. Union Adapter |
| 12 | 410016Z | 2.5 in. Seal Kit - (Includes 2) |
| 13 | 400004Z | Motor Base |
| 14 | 357160 | Motor Support Insert- Black |
| 15 | 071413 | Acorn Nut (each) |
| 16 | U43-12SS | Split Lock Washer (each) |
| 17 | 072184 | Flat Washer (each) |
| 18 | 350336 | Diffuser O-ring |
| 19 | 353323 | Diffuser Screw |
| 20 | 400010 | Diffuser |

| Item | Part No. | Description |
|------------------|-------------|--|
| 21 | 37337-6080 | Impeller Screw, Plastic-Head (pumps mfg. before 10/7/19) |
| 22 | 351446 | Seal Plate O-Ring |
| 23 | 400015Z | Impeller assembly (includes screw and washer) |
| 24 | 17351-0101S | Mechanical Seal Assembly |
| 25 | 400002 | Seal Plate |
| 26 | 350105S | Motor Kit |
| 27 | 350612 | Drive Hardware and Gasket Kit (includes item #31) |
| 28 | 356879Z | Variable Speed Drive Assy Kit |
| 29 | 350621 | Field Wiring Comp Kit w/ Gasket |
| 30 | 350601 | Control Cover Assy Kit (incl. item #27) ¹ |
| 30 | 400100 | Control Cover Assy Kit (incl. item #27) ² |
| 31 | 350107 | Screw 10-24 x 3-1/4 in. PH MS 18-8SS (Qty. 3) |
| 32 | 352401 | Motor Fan Kit (contains Fan, Shroud, Hardware) |
| NOT SHOWN | | |
| 400031Z | | Seal Plate Kit w/ Mech Seal |
| 400012 | | Riser Plate XF to Challenger |
| 350122 | | 50 Ft. Communication Cable |

¹ Used on pumps manufactured before 12/23/13

² Used on pumps manufactured after 12/23/13 to present

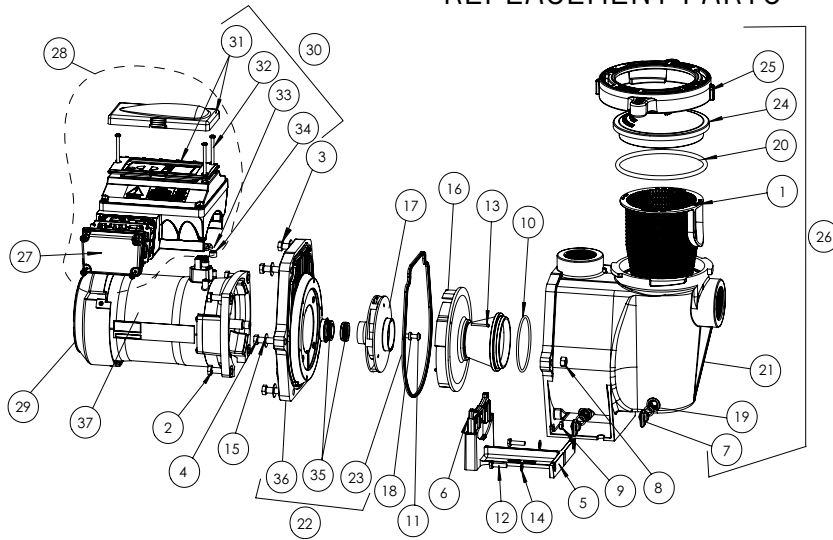
CALIFORNIA PROPOSITION 65 WARNING

⚠ WARNING: Cancer and Reproductive Harm.
⚠ AVERTISSEMENT: Peut Causer le Cancer et des Dommages au Système Reproducteur.
⚠ ADVERTENCIA: Cáncer y Daño Reproductivo.

www.p65warnings.ca.gov.

PK33075A

INTELLIFLO® VF PUMP REPLACEMENT PARTS



CALIFORNIA PROPOSITION 65 WARNING
⚠ WARNING: Cancer and Reproductive Harm.
⚠ AVERTISSEMENT: Peut Causer le Cancer et des Dommages au Système Reproducteur.
⚠ ADVERTENCIA: Cáncer y Daño Reproductivo.
www.p65warnings.ca.gov
PN20075A

| Item | Part No. | Description |
|---------------------------|----------|---|
| INTELLIFLO VF PUMP | | |
| 1 | 070387Z | Basket WF |
| 2 | 070429Z | Bolt, 3/8-16 X 7/8 SS Hex Head 18-8, 4 req. |
| 3 | 070430 | Bolt, 3/8-16 x 1-1/4 hex cap 18-8 S/S, 4 req. |
| 4 | 070431 | Bolt, 3/8-16 x 2 hex cap 18-8 S/S, 2 req. |
| 5 | 070927 | Foot WF, pump motor support, almond |
| 6 | 070929 | Foot insert WF pump, almond |
| 7 | 071131Z | Plug drain WFE, almond, (2 req.) |
| 8 | 071403 | Nut, 3/8-16 brass nickel plated, 2 req. |
| 9 | 071406 | Nut, 1/4-20 hex S/S, 2 req. |
| 10 | 355227Z | O-ring #238, 3.484 x .139, buna N 70 |
| 11 | 071652Z | Screw, 1/4, 20 x 1 LH phillips pan MS 18-8 S/S, 1 req. |
| 12 | 071657Z | Screw, 1/4-20 x 1 in. hex cap 18-8 S/S, 2 req. |
| 13 | 071660Z | Screw set, 4-40 x 1-1/8 WFE sckt cap 18-8 S/S, 2 req. |
| 14 | 072183 | Washer, flat 1/4 x 5/8 20GA thick 18-8 S/S, 2 req. |
| 15 | 072184 | Washer, 3/8 ID x 7/8 OD .05 thick 18-8 S/S, 6 req. |
| 16 | 072928 | Diffuser assembly, black |
| 17 | 073131 | Impeller, IntelliFlo |
| 18 | 075713 | Rubber washer, WFE pump, 1 req. |
| 19 | 192115Z | O-ring 112, .487 x .103 buna -N 70, 2 req. |
| 20 | 350013Z | O-ring lid CH/WF 2-436, 1 req. |
| 21 | 350015 | Housing WFE, almond |
| 22 | 350202 | Seal plate kit, almond w/ gasket (Items 23, 35, 36) |
| 23 | 357100Z | Black Gasket for Seal plate |
| 23 | 357102Z | Almond Gasket for Seal plate |
| 24 | 357151 | Lid, see thru WF. |
| 24 | 357156 | Lid, Chemical Resistant |
| 25 | 357199 | Clamp cam & ramp WF, almond |
| 26 | 357243 | Pot WF assy., almond (contains 1, 7 (qty. 2), 19 (qty. 2), 20, 21, 24, 25 |

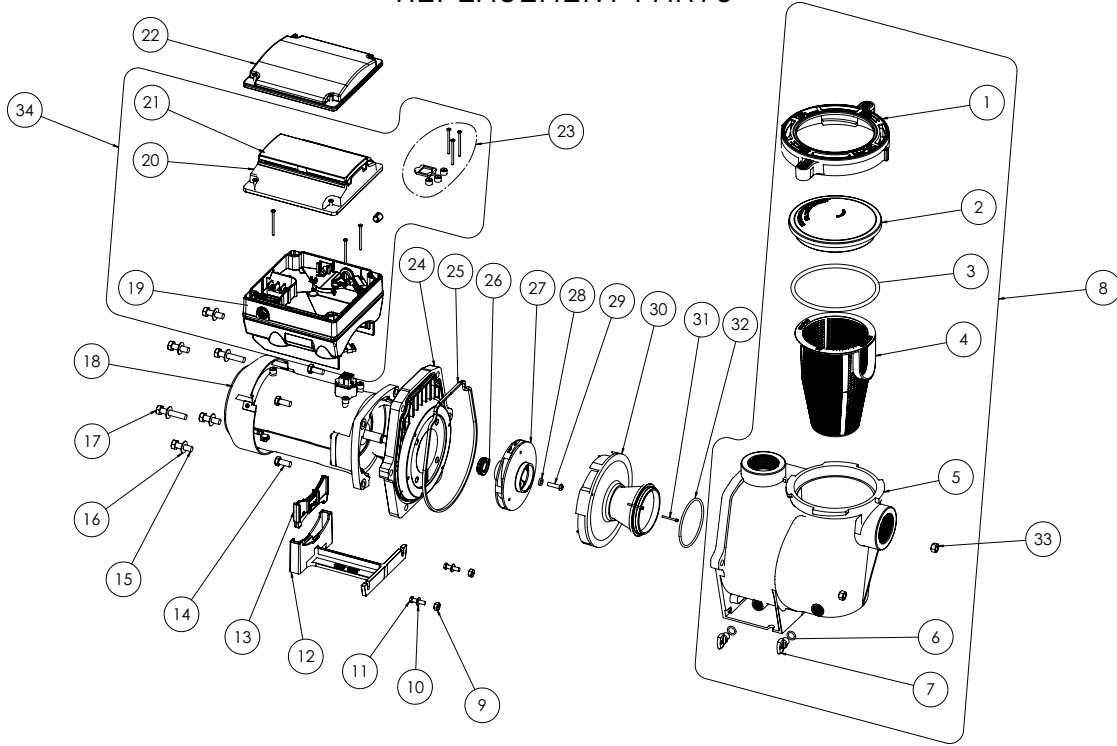
| Item | Part No. | Description |
|------------------|----------|--|
| 27 | 350621 | Junction Box Cover - Almond |
| 28 | 350721 | Drive IntelliFlo VF assy. kit, almond (contains drive VF, control cover assy.) |
| 29 | 352401 | Motor fan kit, almond (contains fan, shroud, hardware). |
| 30 | 350601 | Drive Control Cover assembly kit, almond (contains drive lid, screws, spacer caps, items 31, 32 (qty. 3), 33, 34 (qty. 3) ¹ |
| 30 | 400100 | Drive Control Cover assembly kit, almond (contains drive lid, screws, spacer caps, items 31, 32 (qty. 3), 33, 34 (qty. 3) ² |
| 31 | 350082 | Control cover assembly (not sold individually - order item assy. kit item #30) |
| 32 | 350107 | Screw 10-24 x 3/4 in. PH MS 18-8 s/s (qty. 3) |
| 33 | 350108 | IntelliFlo drive gasket |
| 34 | 350142 | Spacer cap (qty. 3) |
| 35 | 071734S | Seal Kit |
| | 071732S | Mechanical Seal (ozone/salt resistant) |
| 36 | 074564Z | Seal Plate - Almond |
| 37 | 350105S | Motor VFD 3.2KW PMSM replacement, almond |
| NOT SHOWN | | |
| | 070112 | Power end IntelliFlo VF (Contains items 2 (qty. 4), 10, 11, 13, 15, 16, 17, 18, 19, 22, 28, 37) |
| | 350122 | 50 ft. Communication Cable |
| | 357149 | Almond Volute/Seal plate Replacement Kit (Items 1, 7 (Qty 2), 19 (Qty 2), 20, 21, 22, 23, 24, 25) |
| | 350612 | Hardware/gasket assy. kit (contains 3 screws, 3 spacer caps and drive gasket) |
| | 357603 | Union Kit (contains 2 complete unions for one pump, not included with pump). |
| | 356198 | WhisperFlo/IntelliFlo Quick Kit (includes 36, 32, 25, 6(x2), 3, and 28) |
| | 350199 | Seal Plate Kit (ozone/salt resistant) |

¹ Used on pumps manufactured before 12/28/11

² Used on pumps manufactured after 12/28/11

INTELLIFLO® VSF PUMP/INTELLIFLO 2 VST PUMP INTELLIFLO VS PUMP - AFTER 2018

REPLACEMENT PARTS

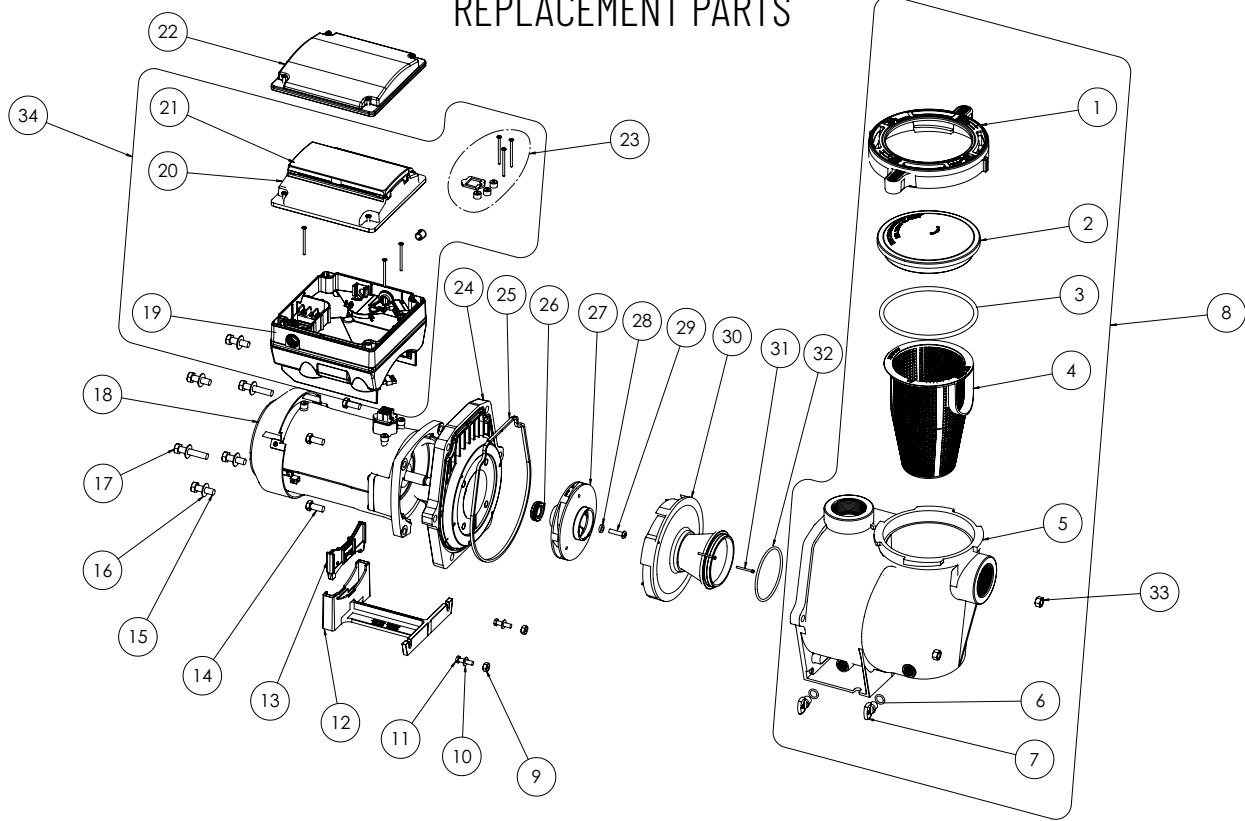


| Item | Part No. | Description |
|------------------------|----------|--|
| INTELLIFLO PUMP | | |
| 1 | 357199 | Clamp, Cam and Ramp |
| 2 | 357151 | See-through Lid |
| 3 | 350013Z | Lid O-Ring |
| 4 | 070387Z | Strainer Basket |
| 5 | 350015 | Volute WF |
| 6 | 192115Z | O-Ring 112 for Drain Plug (Qty 2) |
| 7 | 071131Z | Drain Plug WF (2 req.) |
| 8 | 357243 | Volute Kit (Contains items #1-7) |
| 9 | 071406 | Nut 1/4-20 Hex SS (Qty 2) |
| 10 | 072183 | Washer, Flat 1/4" ID x 5/8" OD (Qty 2) |
| 11 | 071657Z | Screw 1/4-20 x 1" Hex Cap SS, 2 req. |
| 12 | 070927 | Foot WF |
| 13 | 070929 | Foot Insert WFE Pump Motor Support |
| 14 | 070429Z | Bolt, 3/8-16 X 7/8 SS Hex Head 18-8, 4 req. |
| 15 | 072184 | Washer, Flat 3/8" ID x 7/8 OD (Qty 6) |
| 16 | 070430 | Bolt, Hex Head 3/8-16 x 1.25" (Qty 4) |
| 17 | 070431 | Bolt, Hex Head 3/8-16 x 2" (Qty 2) |
| 18 | 350305S | Motor, 3.2 kW 10 Pole |
| 19 | 356880Z | Drive (VSF model) (pumps mfg. before 10/2020) |
| 19 | 356944Z | Drive (VSF model) (pumps mfg. after 10/2020) |
| 19 | 356878Z | Drive (2VST and VS models) |
| 20 | 357527Z | Keypad Assembly Kit (Contains item #21) |
| 21 | 400100 | Keypad Cover |
| 22 | 356904Z | Keypad Relocation Kit (Contains Keypad Relocation cable and Blank Drive Cover) |

| Item | Part No. | Description |
|------------------|----------|---|
| 23 | 355685 | Drive Hardware Kit (Contains Drive Screws, Drive Gasket and Screw Caps) |
| 24 | 074564Z | Seal Plate |
| 25 | 357100Z | Seal Plate Gasket |
| 26 | 071734S | Mechanical Seal |
| 26 | 071732S | Mechanical Seal (ozone/salt resistant) |
| 27 | 073131 | Impeller (pumps mfg. before 10/2020) |
| 27 | 356237 | Impeller (pumps mfg. after 10/2020) |
| 28 | 075713 | Rubber Washer, Impeller Set Screw |
| 29 | 071652Z | Impeller Set Screw 1/4-20 LH Thread |
| 30 | 072928 | Diffuser (pumps mfg. before 10/2020) |
| 30 | 356238 | Diffuser (pumps mfg. after 10/2020) |
| 31 | 071660Z | Diffuser Set Screw 4-40 x 1-1/8, 2 req. |
| 32 | 355227Z | Diffuser O-Ring |
| 33 | 071403 | Nut 3/8" Brass, Nickel Plated (Qty 2) |
| 34 | 356922Z | Drive Kit (VSF model) (Incl. Items #19-23) |
| 34 | 356971Z | Drive Kit (VSF Model mfg. after 11/20) (Incl. items #19-23)" |
| 34 | 356879Z | Drive Kit (2VST and VS models) (Incl. Items #19-23) |
| NOT SHOWN | | |
| | 350122 | 50 Ft. Communication Cable |
| | 350202 | Seal Plate Kit w/Mechanical Seal (Incl. Items #24, 25 and 26) |
| | 354044 | Power End - (2VST and VS models) |
| | 356198 | WhisperFlo/IntelliFlo Quick Kit (includes 26, 32, 25, 6(x2), 3 and 28) |
| | 357603 | Union Kit (Incl. 2 complete unions for 1 pump - Not included with pump) |
| | 350199 | Seal Plate Kit (Ozone/Salt resistant) |
| | 352401 | Motor Fan Kit |

INTELLIFLO® VS+SVRS PUMP - AFTER JUNE 2016

REPLACEMENT PARTS



| Item | Part No. | Description |
|--------------------------------|----------|--|
| INTELLIFLO VS+SVRS PUMP | | |
| 1 | 357199 | Clamp, Cam and Ramp |
| 2 | 357151 | See-through Lid |
| 3 | 350013Z | Lid O-Ring |
| 4 | 070387Z | Strainer Basket |
| 5 | 350015 | Volute WF |
| 6 | 192115Z | O-Ring 112 for Drain Plug (Qty 2) |
| 7 | 071131Z | Drain Plug WF (2 req.) |
| 8 | 357243 | Volute Kit (Contains items #1-7) |
| 9 | 071406 | Nut 1/4-20 Hex SS (Qty 2) |
| 10 | 072183 | Washer, Flat 1/4" ID x 5/8" OD (Qty 2) |
| 11 | 071657Z | Screw 1/4-20 x 1" Hex Cap SS, 2 req. |
| 12 | 070927 | Foot WF |
| 13 | 070929 | Foot Insert WFE Pump Motor Support |
| 14 | 070429Z | Bolt, 3/8-16 X 7/8 SS Hex Head 18-8, 4 req. |
| 15 | 072184 | Washer, Flat 3/8" ID x 7/8 OD (Qty 6) |
| 16 | 070430 | Bolt, Hex Head 3/8-16 x 1.25" (Qty 4) |
| 17 | 070431 | Bolt, Hex Head 3/8-16 x 2" (Qty 2) |
| 18 | 350305S | Motor, 3.2 kW 10 Pole |
| 19 | 356910Z | Drive |
| 20 | 357527Z | Keypad Assembly Kit (Contains item #21) |
| 21 | 400100 | Keypad Cover |
| 22 | 356904Z | Keypad Relocation Kit (Contains Keypad Relocation cable and Blank Drive Cover) |

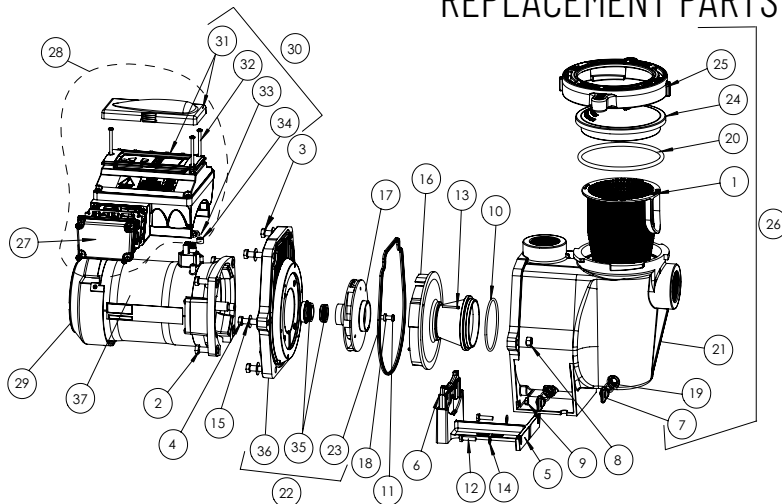
| Item | Part No. | Description |
|------------------|----------|---|
| 23 | 355685 | Drive Hardware Kit (Contains Drive Screws, Drive Gasket and Screw Caps) |
| 24 | 074564Z | Seal Plate |
| 25 | 357100Z | Seal Plate Gasket |
| 26 | 071734S | Mechanical Seal |
| 26 | 071732S | Mechanical Seal (ozone/salt resistant) |
| 27 | 073131 | Impeller (pumps mfg. before 10/2020) |
| 27 | 356237 | Impeller (pumps mfg. after 10/2020) |
| 28 | 075713 | Rubber Washer, Impeller Set Screw |
| 29 | 071652Z | Impeller Set Screw 1/4-20 LH Thread |
| 30 | 072928 | Diffuser (pumps mfg. before 10/2020) |
| 30 | 072928 | Diffuser (pumps mfg. after 10/2020) |
| 31 | 071660Z | Diffuser Set Screw 4-40 x 1-1/8, 2 req. |
| 32 | 355227Z | Diffuser O-Ring |
| 33 | 071403 | Nut 3/8" Brass, Nickel Plated (Qty 2) |
| 34 | 356911Z | Drive Kit (Incl. Items #19-23) |
| NOT SHOWN | | |
| | 350122 | 50 Ft. Communication Cable |
| | 350202 | Seal Plate Kit w/Mechanical Seal (Incl. Items #24, 25 and 26) |
| | 357603 | Union Kit (Incl. 2 complete unions for 1 pump - Not included with pump) |
| | 356198 | Whisper/IntelliFlo Quick Kit (Includes 26, 32, 25, 6(x2), 2 and 28) |
| | 350199 | Seal Plate Kit (Ozone/Salt resistant) |
| | 352401 | Motor Fan Kit |

Product on pages 174–175.

CALIFORNIA PROPOSITION 65 WARNING
 ⚠️ **WARNING:** Cancer and Reproductive Harm.
 ⚠️ **AVERTISSEMENT:** Peut Causer le Cancer et des Dommages au Système Reproducteur.
 ⚠️ **ADVERTENCIA:** Cáncer y Daño Reproductivo.
www.p65warnings.ca.gov

INTELLIFLO® VARIABLE SPEED PUMP- BEFORE 2019 INTELLIFLO VS+SVRS PUMP - BEFORE JUNE 2016

REPLACEMENT PARTS



CALIFORNIA PROPOSITION 65 WARNING
 ⚠️ WARNING: Cancer and Reproductive Harm.
 ⚠️ AVERTISSEMENT: Peut Causer le Cancer et des Dommages au Système Reproducteur.
 ⚠️ ADVERTENCIA: Cáncer y Daño Reproductivo.
 www.p65warnings.ca.gov. FN20271A

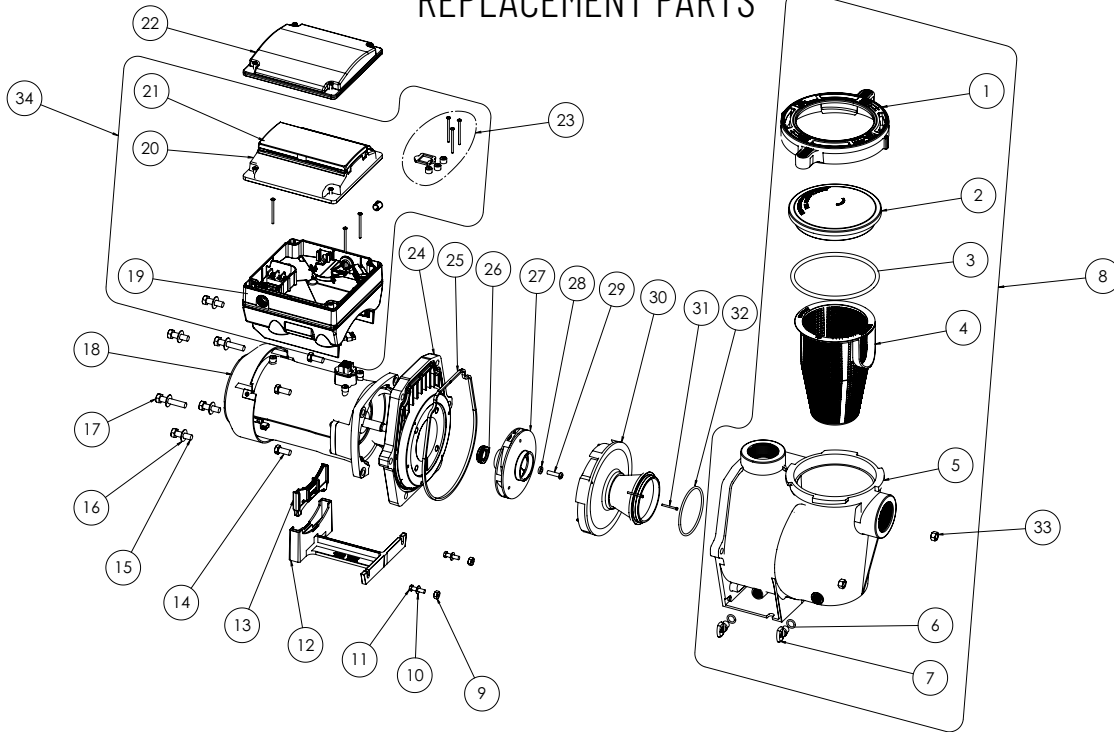
| Item | Part No. | Description |
|---|----------|---|
| INTELLIFLO VARIABLE SPEED & INTELLIFLO VS+SVRS | | |
| 1 | 070387Z | Basket WF |
| 2 | 070429Z | Bolt, 3/8-16 X 7/8 SS Hex Head 18-8, 4 req. |
| 3 | 070430 | Bolt, 3/8-16 x 1-1/4 hex cap 18-8 S/S, 4 req. |
| 4 | 070431 | Bolt, 3/8-16 x 2 hex cap 18-8 S/S, 2 req. |
| 5 | 070927 | Foot WF, pump motor support, almond |
| 6 | 070929 | Foot insert WF pump, almond |
| 7 | 071131Z | Plug drain WFE, almond, (2 req.) |
| 8 | 071403 | Nut, 3/8-16 brass nickel plated, 2 req. |
| 9 | 071406 | Nut, 1/4-20 hex S/S, 2 req. |
| 10 | 355227Z | O-ring #238, 3.484 x .139, buna N 70 |
| 11 | 071652Z | Screw, 1/4, 20 x 1 LH phillips pan MS 18-8 S/S, 1 req. |
| 12 | 071657Z | Screw, 1/4-20 x 1 in. hex cap 18-8 S/S, 2 req. |
| 13 | 071660Z | Screw set, 4-40 x 1-1/8 WFE sckt cap 18-8 S/S, 2 req. |
| 14 | 072183 | Washer, flat 1/4 x 5/8 20GA thick 18-8 S/S, 2 req. |
| 15 | 072184 | Washer, 3/8 ID x 7/8 OD .05 thick 18-8 S/S, 6 req. |
| 16 | 072928 | Diffuser assembly, black |
| 17 | 073131 | Impeller, IntelliFlo |
| 18 | 075713 | Rubber washer, WFE pump, 1 req. |
| 19 | 192115Z | O-ring 112, .487 x .103 buna -N 70, 2 req. |
| 20 | 350013Z | O-ring lid CH/WF 2-436, 1 req. |
| 21 | 350015 | Housing WFE, almond |
| 22 | 350202 | Seal plate kit, almond w/ gasket (Items 23, 35, 36) |
| 23 | 357100Z | Black Gasket for Seal plate |
| 23 | 357102Z | Almond Gasket for Seal plate |
| 24 | 357151 | Lid, see thru WF. |
| 24 | 357156 | Lid, Chemical Resistant |
| 25 | 357199 | Clamp cam & ramp WF, almond |
| 26 | 357243 | Pot WF assy., almond (contains 1, 7 (qty. 2), 19 (qty. 2), 20, 21, 24, 25 |
| 27 | 350621 | Junction Box Cover - Almond |

| Item | Part No. | Description |
|------------------|----------|--|
| 28 | 356879Z | IntelliFlo Variable Speed Drive Kit - Contains Drive and Control Cover Assy. (VS only) |
| 28 | 351021 | IntelliFlo VS+SVRS Drive Kit ¹ - Contains Drive and Control Cover Assy. (SVRS drive) |
| 29 | 352401 | Motor fan kit, almond (contains fan, shroud, hardware). |
| 30 | 350601 | Drive Control Cover assembly kit ² , almond (contains drive lid, screws, spacer caps, items 31, 32 (qty. 3), 33, 34 (qty. 3)) |
| 30 | 400100 | Drive Control Cover assembly kit ³ , almond (contains drive lid, screws, spacer caps, items 31, 32, (qty.3), 33, 34 (qty. 3)) |
| 31 | 350082 | Control cover assembly (not sold individually - order assy. kit item #30) |
| 32 | 350107 | Screw 10-24 x 3 1/4 in. PH MS 18-8 s/s (qty. 3) |
| 33 | 350108 | IntelliFlo drive gasket |
| 34 | 350142 | Spacer cap (qty. 3) |
| 35 | 071734S | Seal Kit |
| 35 | 071732S | Mechanical Seal (ozone/salt resistant) |
| 36 | 074564Z | Seal Plate - Almond |
| 37 | 350105S | Motor VFD 3.2KW PMSM replacement, almond |
| NOT SHOWN | | |
| | 070118 | Power end IntelliFlo Variable Speed (Contains items 2, 10, 11, 13, 15, 16, 17, 18, 19, 22, 28) |
| | 350122 | 50 ft. Communication Cable |
| | 357149 | Almond Volute/Seal plate Replacement Kit (Items 1, 7 (Qty 2), 19 (Qty 2), 20, 21, 22, 23, 24, 25) |
| | 350612 | Hardware/gasket assy. kit (contains 3 screws, 3 spacer caps and drive gasket) |
| | 357603 | Union Kit (contains 2 complete unions for one pump, not included with pump). |
| | 356198 | WhisperFlo/IntelliFlo Quick Kit (includes 35, 10, 18, 23, 20, 19(x2)) |
| | 350199 | Seal Plate Kit (ozone/salt resistant) |

¹ Contact factory for IntelliFlo VS+SVRS2
² Used on pumps manufactured before 12/23/13
³ Used on pumps manufactured after 12/23/13 to present

INTELLIFLO® i1 + i2 VARIABLE SPEED PUMP - AFTER APRIL 2016

REPLACEMENT PARTS



| Item | Part No. | Description |
|--------------------------|----------|--|
| INTELLIFLOXF PUMP | | |
| 1 | 357199 | Clamp, Cam and Ramp |
| 2 | 357151 | See-through Lid |
| 3 | 350013Z | Lid O-Ring |
| 4 | 070387Z | Strainer Basket |
| 5 | 350015 | Volute WF |
| 6 | 192115Z | O-Ring 112 for Drain Plug (Qty 2) |
| 7 | 071131Z | Drain Plug WF (2 req.) |
| 8 | 357243 | Volute Kit (Contains items #1-7) |
| 9 | 071406 | Nut 1/4-20 Hex SS (Qty 2) |
| 10 | 072183 | Washer, Flat 1/4" ID x 5/8" OD (Qty 2) |
| 11 | 071657Z | Screw 1/4-20 x 1" Hex Cap SS, 2 req. |
| 12 | 070927 | Foot WF |
| 13 | 070929 | Foot Insert WFE Pump Motor Support |
| 14 | 070429Z | Bolt, 3/8-16 X 7/8 SS Hex Head 18-8, 4 req. |
| 15 | 072184 | Washer, Flat 3/8" ID x 7/8 OD (Qty 6) |
| 16 | 070430 | Bolt, Hex Head 3/8-16 x 1.25" (Qty 4) |
| 17 | 070431 | Bolt, Hex Head 3/8-16 x 2" (Qty 2) |
| 18 | 350305S | Motor, 3.2 kW 10 Pole |
| 19 | 356878Z | Drive, Variable Speed |
| 20 | 357527Z | Keypad Assembly Kit (Contains item #21) |
| 21 | 400100 | Keypad Cover |
| 22 | 356904Z | Keypad Relocation Kit (Contains Keypad Relocation cable and Blank Drive Cover) |
| 23 | 355685 | Drive Hardware Kit (Contains Drive Screws, Drive Gasket and Screw Caps) |

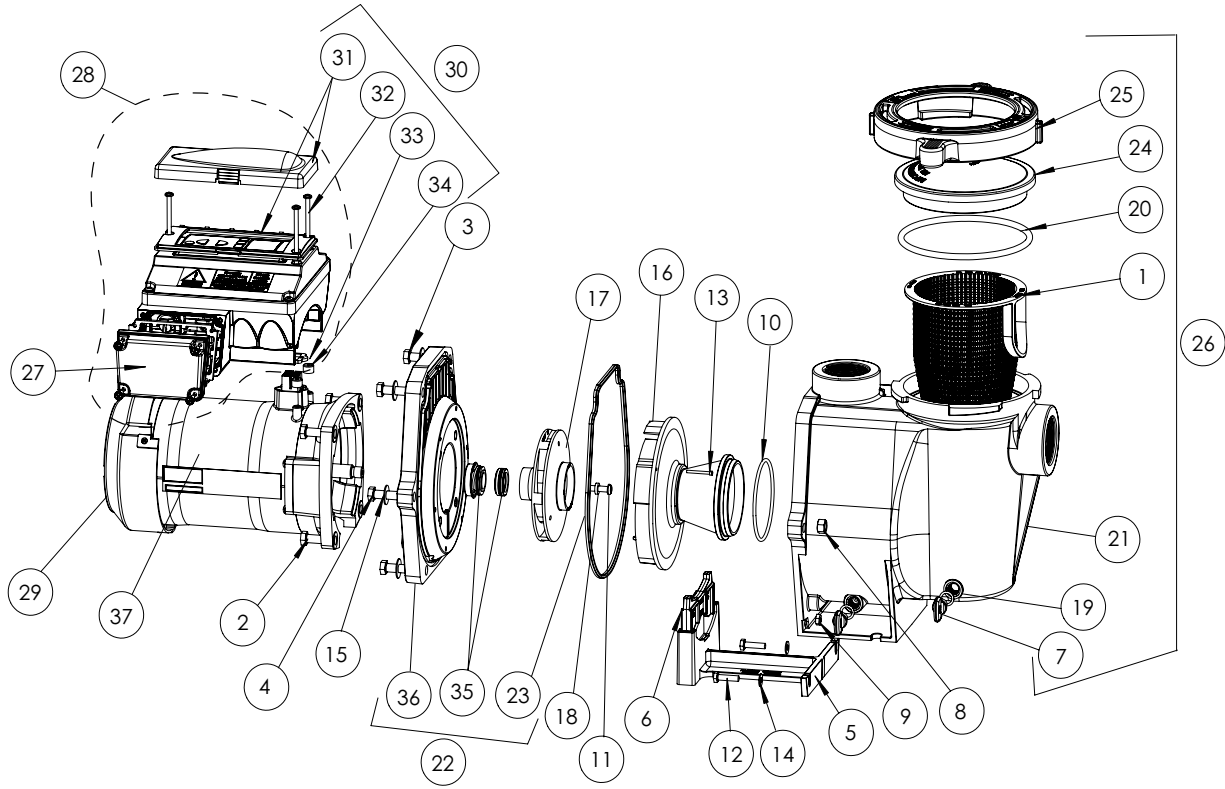
| Item | Part No. | Description |
|------------------|----------|---|
| 24 | 074564Z | Seal Plate |
| 25 | 357100Z | Seal Plate Gasket |
| 26 | 071734S | Mechanical Seal |
| | 071732S | Mechanical Seal (ozone/salt resistant) |
| 27 | 073128 | Impeller, i1 Pump |
| 27 | 073131A | Impeller, i2 Pump |
| 28 | 075713 | Rubber Washer, Impeller Set Screw |
| 29 | 071652Z | Impeller Set Screw 1/4-20 LH Thread |
| 30 | 072930 | Diffuser, i1 Pump |
| 30 | 072927Z | Diffuser, i2 Pump |
| 31 | 071660Z | Diffuser Set Screw 4-40 x 1-1/8, 2 req. |
| 32 | 355227Z | Diffuser O-Ring |
| 33 | 071403 | Nut 3/8" Brass, Nickel Plated (Qty 2) |
| 34 | 356879Z | Drive Kit (Incl. Items #19-23) |
| NOT SHOWN | | |
| | 350122 | 50 Ft. Communication Cable |
| | 350202 | Seal Plate Kit w/Mechanical Seal (Incl. Items #24, 25 and 26) |
| | 357603 | Union Kit (Incl. 2 complete unions for 1 pump - Not included with pump) |
| | 356198 | WhisperFlo/IntelliFlo Quick Kit (includes 26, 32, 25, 6(x2), 3 and 28) |
| | 350199 | Seal Plate Kit (Ozone/Salt resistant) |
| | 352401 | Motor Fan Kit |

CALIFORNIA PROPOSITION 65 WARNING

⚠ **WARNING:** Cancer and Reproductive Harm.
 ⚠ **AVERTISSEMENT:** Peut Causer le Cancer et des Dommages au Système Reproducteur.
 ⚠ **ADVERTENCIA:** Cáncer y Daño Reproductivo.

www.p65warnings.ca.gov. PB202714

INTELLIFLO® i1 VARIABLE SPEED PUMP - BEFORE APRIL 2016 REPLACEMENT PARTS



CALIFORNIA PROPOSITION 65 WARNING
 ⚠️ **WARNING:** Cancer and Reproductive Harm.
 ⚠️ **AVERTISSEMENT:** Peut Causer le Cancer et des Dommages au Système Reproducteur.
 ⚠️ **ADVERTENCIA:** Cáncer y Daño Reproductivo.
www.p65warnings.ca.gov

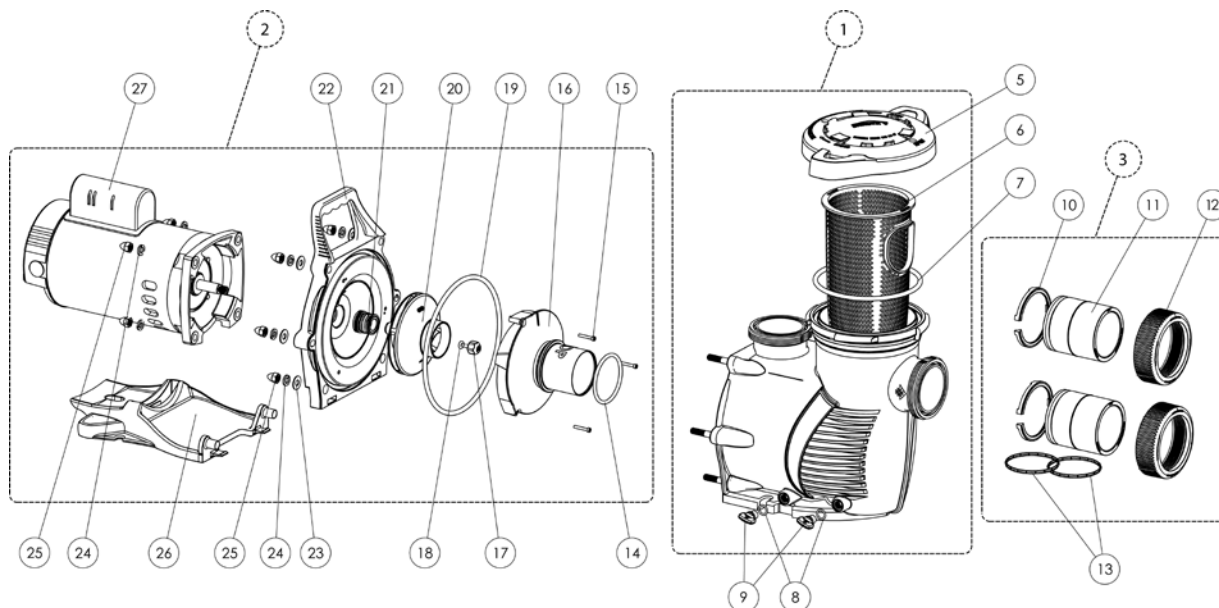
INTELLIFLO® i1 VARIABLE SPEED PUMP - BEFORE APRIL 2016

REPLACEMENT PARTS

| Item | Part No. | Description |
|--|----------|--|
| INTELLIFLO i1 VARIABLE SPEED PUMP | | |
| 1 | 070387Z | Basket WF |
| 2 | 070429Z | Bolt, 3/8-16 X 7/8 SS Hex Head 18-8, 4 req. |
| 3 | 070430 | Bolt, 3/8-16 x 1-1/4 hex cap 18-8 S/S, 4 req. |
| 4 | 070431 | Bolt, 3/8-16 x 2 hex cap 18-8 S/S, 2 req. |
| 5 | 070927 | Foot WF, pump motor support, almond |
| 6 | 070929 | Foot insert WF pump, almond |
| 7 | 071131Z | Plug drain WFE, almond, (2 req.) |
| 8 | 071403 | Nut, 3/8-16 brass nickel plated, 2 req. |
| 9 | 071406 | Nut, 1/4-20 hex S/S, 2 req. |
| 10 | 355227Z | O-ring #238, 3.484 x .139, buna N 70 |
| 11 | 071652Z | Screw, 1/4, 20 x 1 LH phillips pan MS 18-8 S/S, 1 req. |
| 12 | 071657Z | Screw, 1/4-20 x 1 in. hex cap 18-8 S/S, 2 req. |
| 13 | 071660Z | Screw set, 4-40 x 1-1/8 WFE sckt cap 18-8 S/S, 2 req. |
| 14 | 072183 | Washer, flat 1/4 x 5/8 20GA thick 18-8 S/S, 2 req. |
| 15 | 072184 | Washer, 3/8 ID x 7/8 OD .05 thick 18-8 S/S, 6 req. |
| 16 | 072930 | Diffuser assembly |
| 17 | 073128 | Impeller, 1 HP |
| 18 | 075713 | Rubber washer, WFE pump, 1 req. |
| 19 | 192115Z | O-ring 112, .487 x .103 buna -N 70, 2 req. |
| 20 | 350013Z | O-ring lid CH/WF 2-436, 1 req. |
| 21 | 350015 | Housing WFE, almond |
| 22 | 350202 | Seal plate kit, almond w/ gasket (Items 23, 35, 36) |
| 23 | 357100Z | Black Gasket for Seal plate |
| 24 | 357151 | Lid, see thru WF. |
| 24 | 357156 | Lid, Chemical Resistant |
| 25 | 357199 | Clamp cam & ramp WF, almond |
| 26 | 357243 | Pot WF assy., almond (contains 1, 7 (qty. 2), 19 (qty. 2), 20, 21, 24, 25) |
| 27 | 350621 | Junction Box Cover - Almond |
| 28 | 356879Z | IntelliFlo Variable Speed Drive Kit - Contains Drive and Control Cover Assy. |
| 29 | 352401 | Motor fan kit, almond (contains fan, shroud, hardware). |

| Item | Part No. | Description |
|------------------|----------|--|
| 30 | 350601 | Drive Control Cover assembly kit, almond (contains drive lid, screws, spacer caps, items 31, 32 (qty. 3), 33, 34 (qty. 3)) |
| 31 | 350082 | Control cover assembly (Not sold individually - order assy kit item 30) |
| 32 | 350107 | Screw 10-24 x 3 3/4 in. PH MS 18-8 s/s (qty. 3) |
| 33 | 350108 | IntelliFlo drive gasket |
| 34 | 350142 | Spacer cap (qty. 3) |
| 35 | 071734S | Seal Kit |
| 35 | 071732S | Mechanical Seal (ozone/salt resistant) |
| 36 | 074564Z | Seal Plate - Almond |
| 37 | 350105S | Motor VFD 3.2KW PMSM replacement, almond |
| NOT SHOWN | | |
| | 070119 | Power end IntelliFlo Variable Speed (Contains items 2 (qty. 4), 10, 11, 13, 15, 16, 17, 18, 19, 22, 28, 37) |
| | 350122 | 50 ft. Communication Cable |
| | 357149 | Almond Volute/Seal plate Replacement Kit (Items 1, 7 (Qty 2), 19 (Qty 2), 20, 21, 22, 23, 24, 25) |
| | 350612 | Hardware/gasket assy. kit (contains 3 screws, 3 spacer caps and drive gasket) |
| | 356198 | WhisperFlo/IntelliFlo Quick Kit (includes 35, 10, 18, 23, 20, 19(x2)) |
| | 357603 | Union Kit (contains 2 complete unions for one pump, not included with pump). |
| | 350201 | Seal plate kit without gasket (Items 35 and 36) |
| | 350199 | Seal Plate Kit (ozone/salt resistant) |

WHISPERFLOXF® PUMP REPLACEMENT PARTS



| Item | Part No. | Description |
|---------------------------|------------------------|--|
| WHISPERFLO XF PUMP | | |
| 1 | 400000 | Wet End Assembly |
| 2 | See chart on next page | Power End Assembly |
| 3 | 410020 | Union Kit Without Tap |
| 5 | 400006 | Lid/Locking Ring Assembly |
| 6 | 400007Z | XF Series Replacement Basket |
| 7 | 35505-1440 | Lid/Locking Ring O-Ring |
| 8 | 192115Z | Drain Plug O-Ring |
| 9 | 071131Z | Drain Plug (2 req.) |
| 10 | 410001 | 2.5 in. C-Clip Locking Ring |
| 11 | 410002 | 2.5 in. Union Adapter without Tap |
| 12 | 411000 | 2.5 in. Union Nut |
| 13 | 410016Z | 2.5 in. Seal Kit - (Includes two) |
| 14 | 350336 | Diffuser O-Ring |
| 15 | 353323 | Diffuser Screw |
| 16 | See chart on next page | Diffuser |
| 17 | 37337-6080 | Impeller Screw, Plastic Head (pumps mfg. before 10/7/2019) |
| 17 | 356073 | Impeller Screw, Metal-Head (pumps mfg. after 10/7/19) |
| 18 | 072172 | Impeller screw washer |

| Item | Part No. | Description |
|------------------|------------------------|---|
| 19 | 351446 | Seal Plate O-Ring |
| 20 | See chart on next page | Impeller Assembly (includes screw and washer) |
| 21 | 17351-0101S | Mechanical Seal Assembly |
| 22 | 400002 | Seal Plate |
| 23 | 072184 | Flat Washer |
| 24 | U43-12SS | Split Lock Washer |
| 25 | 071413 | Acorn Nut |
| 26 | 400004Z | Motor Base |
| 27 | See chart on next page | Motors |
| NOT SHOWN | | |
| | 400030Z | Hardware and Orings Kit |
| | 400031Z | Seal Plate Kit w/ Mechanical Seal |
| | 400012 | Riser Plate XF to Challenger |
| | 400013Z | Motor End Cap and Screw |
| | 357923Z | Fan Guard Kit TEFC/Super-Duty |

CALIFORNIA PROPOSITION 65 WARNING
 ⚠️ **WARNING:** Cancer and Reproductive Harm.
 ⚠️ **AVERTISSEMENT:** Peut Causer le Cancer et des Dommages au Système Reproducteur.
 ⚠️ **ADVERTENCIA:** Cáncer y Daño Reproductivo.
www.p65warnings.ca.gov P620174

WHISPERFLOXF® PUMP (CONT'D)

REPLACEMENT PARTS

| Item | Part No. | Description |
|------------------|----------|-------------------------------|
| IMPELLERS | | |
| 20 | 400020Z | XFET-8 |
| 20 | 400015Z | XFET-12 |
| 20 | 400023Z | XFET-20 |
| 20 | 400020Z | XF-8 |
| 20 | 400015Z | XF-12 |
| 20 | 400020Z | XFE-8 |
| 20 | 400015Z | XFE-12 |
| 20 | 400023Z | XFE-20 |
| 20 | 400020Z | XFDS-8 |
| 20 | 400015Z | XFDS-12 |
| 20 | 400020Z | XFDS-30 |
| 20 | 400020Z | XF-30 |
| 20 | 400020Z | XFE-30 |
| 20 | 400020Z | XFJ-8 |
| 20 | 400015Z | XFJ-12 |
| 20 | 400023Z | XFJ-20 |
| 20 | 400020Z | XFK-8 |
| 20 | 400015Z | XFK-12 |
| 20 | 400023Z | XFK-20 |
| MOTORS | | |
| 27 | 354815S | 2hp 1-Phase TEFC 208-230V |
| 27 | 354817S | 3hp 1-Phase TEFC 208-230V |
| 27 | 354819S | 5hp 1-Phase TEFC 208-230V |
| 27 | 355026S | 2hp Standard E 230V |
| 27 | 355033S | 3hp Standard E 230V |
| 27 | 355014S | 2hp High Eff 208-230V |
| 27 | 355016S | 3hp High Eff 208-230V |
| 27 | 353317S | 5hp High Eff 208-230V |
| 27 | 359526S | 2hp 2 Speed 230V |
| 27 | 353316S | 3hp 2 Speed 230V |
| 27 | 359526S | 2.5hp Uprated 2 Speed 230V |
| 27 | 355026S | 2.5hp Uprated Standard E 230V |
| 27 | 355014S | 2.5hp Uprated High E 208-230V |
| 27 | 354809S | 2hp 3 Phase 208-230-460V |
| 27 | 354811S | 3hp 3 Phase 208-230-460V |
| 27 | 354813S | 5hp 3 Phase 208-230-460V |

| Item | Part No. | Description |
|-------------------|----------|-------------------------------|
| DIFFUSERS | | |
| 16 | 400010 | XFET-8 |
| 16 | 400010 | XFET-12 |
| 16 | 400011Z | XFET-20 |
| 16 | 400010 | XF-8 |
| 16 | 400010 | XF-12 |
| 16 | 400010 | XFE-8 |
| 16 | 400010 | XFE-12 |
| 16 | 400011Z | XFE-20 |
| 16 | 400010 | XFDS-8 |
| 16 | 400010 | XFDS-12 |
| 16 | 400010 | XFDS-30 |
| 16 | 400010 | XF-30 |
| 16 | 400010 | XFE-30 |
| 16 | 400010 | XFJ-8 |
| 16 | 400010 | XFJ-12 |
| 16 | 400011Z | XFJ-20 |
| 16 | 400010 | XFK-8 |
| 16 | 400010 | XFK-12 |
| 16 | 400011Z | XFK-20 |
| POWER ENDS | | |
| 2 | 400632Z | 2hp 1-Phase TEFC 208-230V |
| 2 | 400633Z | 3hp 1-Phase TEFC 208-230V |
| 2 | 400634Z | 5hp 1-Phase TEFC 208-230V |
| 2 | 400612Z | 2hp Standard E 230V |
| 2 | 400613Z | 3hp Standard E 230V |
| 2 | 400609Z | 2hp High Eff 208-230V |
| 2 | 400610Z | 3hp High Eff 208-230V |
| 2 | 400611Z | 5hp High Eff 208-230V |
| 2 | 400607Z | 2hp 2 Speed 230V |
| 2 | 400608Z | 3hp 2 Speed 230V |
| 2 | 400607Z | 2.5hp Uprated 2 Speed 230V |
| 2 | 400612Z | 2.5hp Uprated Standard E 230V |
| 2 | 400609Z | 2.5hp Uprated High E 208-230V |
| 2 | 400617Z | 2hp 3 Phase 208-230-460V |
| 2 | 400618Z | 3hp 3 Phase 208-230-460V |
| 2 | 400619Z | 5hp 3 Phase 208-230-460V |

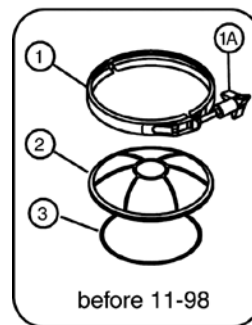
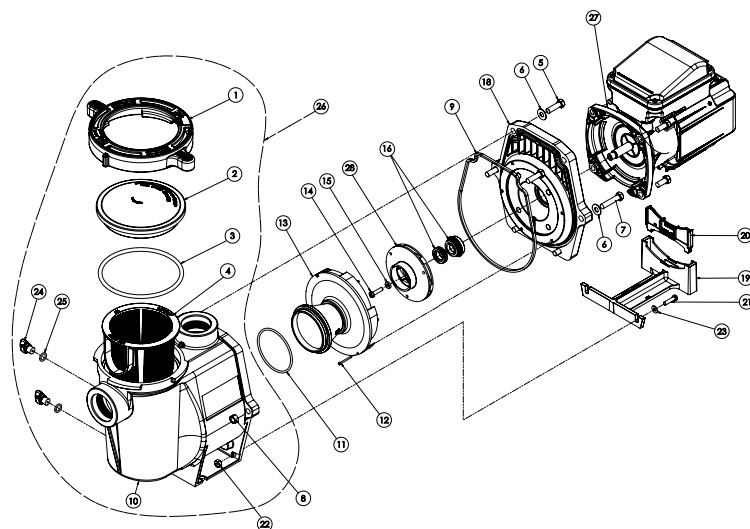
Note: Pumps and replacement motors that are single speed and one (1) Total HP or greater cannot be sold, offered for sale, or installed in a residential pool for filtration use in California, Title 20 CCR sections 1601-1609.

CALIFORNIA PROPOSITION 65 WARNING

⚠️ **WARNING:** Cancer and Reproductive Harm.
 ⚠️ **AVERTISSEMENT:** Peut Causer le Cancer et des Dommages au Système Reproducteur.
 ⚠️ **ADVERTENCIA:** Cáncer y Daño Reproductivo.

www.p65warnings.ca.gov. PK20071A

WHISPERFLO® PUMP REPLACEMENT PARTS



CALIFORNIA PROPOSITION 65 WARNING
 ⚠️ **WARNING:** Cancer and Reproductive Harm.
 ⚠️ **AVERTISSEMENT:** Peut Causer le Cancer et des Dommages au Système Reproducteur.
 ⚠️ **ADVERTENCIA:** Cáncer y Daño Reproductivo.
www.p65warnings.ca.gov PH202114

| Item | Part No. | Description |
|-------------------------|----------|---|
| WHISPERFLO PUMPS | | |
| 1 | 070711 | Clamp band assembly, SS, WF/AQ ⁵ (old style) |
| 1 | 357150 | Clamp, Cam & Ramp™, plastic, black, WF ⁷ |
| 1 | 357199 | Clamp, Cam & Ramp, plastic, almond, WF ⁸ |
| 1A | 071136Z | Knob, only ⁵ |
| 2 | 070795 | Cover, clear, AQ/WFE pump ⁵ (old style) |
| 2 | 357151 | Cover, clear, WFE pump ⁶ |
| 2 | 357156 | Cover, chemical resistant Cam & Ramp |
| 3 | 071422 | O-ring, AQ/WFE cover ⁵ |
| 3 | 350013Z | O-ring, WFE cover ⁶ |
| 4 | 070387Z | Basket |
| 5 | 070430 | Bolt, 3/8, 16 x 1-1/4 hex hd. SS, 4 req. |
| 6 | 072184 | Washer, 3/8 x 13/16 o.d. SS, 6 req. |
| 7 | 070431 | Bolt, 3/8, 16 x 1-3/4 hex hd. SS, 2 req. |
| 8 | 071403 | Nut, 3/8, 16 hex hd., 2 req. |
| 9 | 071445 | O-ring parker No.2-265, WFE pump ^{1,4} |
| 9 | 357100Z | Black Gasket for Seal Plate ¹⁴ |
| 9 | 357102Z | Almond Gasket for Seal Plate ¹⁵ |
| 10 | 357149 | Volute & Sealplate, Almond Replacement Kit ⁶ |
| 10 | 350015 | Volute, almond |
| 10 | 357157 | Volute, black |
| 11 | 355227Z | O-ring parker No.2-238, WFE pump |
| 12 | 071660Z | Set screw, 4-40 x 1-1/8 WFE, 2 req. |
| 13 | 072928 | Diffuser assembly, WFE-12, 3 HP; WFK-12, 3HP models |
| 13 | 072927Z | Diffuser assembly, WFE-2-8, 1/2 HP - 2-1/2 HP |
| 14 | 071652Z | Set screw, 1/4, 20 x 1 lh. phillips |

| Item | Part No. | Description |
|---------------|----------|--|
| 15 | 075713 | Rubber washer, WFE pump |
| 16 | 071734S | Seal PA-7 w/ ceramic seat, PS1000 |
| 16 | 071732S | Mechanical Seal (ozone/salt resistant) |
| 17 | 070429Z | Bolt, 3/8-16 X 7/8 SS Hex Head 18-8, 4 req. |
| 18 | 350202 | Seal Plate Kit, Almond with Gasket (Includes Mechanical Seal Installed and Seal Plate Gasket) Items 9, 16 & 18 |
| 18 | 350101 | Seal Plate Kit WFE Black (Includes Mechanical Seal installed) Items 16 & 18 |
| 19 | 070927 | Foot, WFE-4 pump, almond |
| 19 | 357159 | Foot, black ⁹ |
| 20 | 070929 | Foot insert, WFE pump, almond |
| 20 | 357160 | Foot insert, WFE pump, black ⁹ |
| 21 | 071657Z | Screw, 1/4, 20 x 1 in. hh. SS, 2 req. |
| 22 | 071406 | Nut, 1/4, 20 hex. hd. SS, 2 req. |
| 23 | 072183 | Washer, flat 1/4 x 5/8, 2 req. |
| 24 | 071131Z | Knob plug drain, almond (2 req.) |
| 24 | 357161Z | Knob plug drain, 2 req., black ⁹ |
| 25 | 192115Z | O-Ring drain plug, 2 req. |
| 26 | 357149 | Almond Volute/Seal plate kit ⁶ (Includes items 1-4, 9, 10, 16, 18, 24, 25.) |
| MOTORS | | |
| 27 | 356363S | 1.1 THP Motor |
| 27 | 354803S | 3/4 HP, 1SP, TEFC |
| 27 | 354821S | 1 HP, 1SP, TEFC, WFET- 4 |
| 27 | 354823S | 1-1/2 HP, 1SP, TEFC, WFET- 6 |
| 27 | 354815S | 2 HP, 1SP, TEFC, WFET- 8 |
| 27 | 354817S | 3 HP, 1SP, TEFC, WFET- 12 |
| 27 | 355008S | 3/4 HP, 1SP, WFE- 2, 3 & 24 |
| 27 | 355010S | 1 HP, 1SP, WFE- 4 & 26 |
| 27 | 355012S | 1-1/2 HP, 1SP, WFE- 6 & 28 |
| 27 | 355014S | 2 HP, 1SP, WFE-8 & 30 |

Note: Pumps and replacement motors that are single speed and one (1) Total HP or greater cannot be sold, offered for sale, or installed in a residential pool for filtration use in California, Title 20 CCR sections 1601-1609.

Product on pages 182-183.

WHISPERFLO® PUMP (CONT'D)

REPLACEMENT PARTS

| Item | Part No. | Description |
|------------------|----------|---|
| MOTORS | | |
| 27 | 355016S | 3 HP, 1SP, WFE-12, |
| 27 | 350088S | 3/4 HP, 2 sp, WFDS-3 |
| 27 | 356630S | 1 HP, 2 sp., WFDS-4 & 26 ¹¹ |
| 27 | 071320S | 1-1/2 HP, 2 sp., WFDS-6 & 28 ¹¹ |
| 27 | 071321S | 2 HP, 2 sp., WFDS-8 & 30 ¹¹ |
| 27 | 355018S | 1/2 HP, 1SP, WF-2, 23 |
| 27 | 355020S | 3/4 HP, 1SP, WF-3, 24 |
| 27 | 355022S | 1 HP, 1SP, WF-4, 26 |
| 27 | 355024S | 1-1/2 1SP, HP, WF-6, 28 |
| 27 | 355026S | 2 HP, 1SP, WF-8, 30 |
| 27 | 355033S | 3 HP, 1SP, WF-12 |
| 27 | 355002S | 1/2 HP, 3PH, 1SP |
| 27 | 355001S | 3/4 HP, 3PH, 1SP |
| 27 | 354805S | 1 HP, 3PH, 1SP, WFK-4 |
| 27 | 354807S | 1.5 HP, 3PH, 1SP, WFK-6 |
| 27 | 354809S | 2 HP, 3PH, 1SP, WFK-8 |
| 27 | 354811S | 3 HP, 3PH, 1SP, WFK-12 |
| IMPELLERS | | |
| 28 | 073126 | Impeller (WF-2, WF-23, WFE-2, WFK-2,) |
| 28 | 073127 | Impeller (WFE-3, WFE-24, WF-3, WF-24, WFK-3, WFDS-3, WFDS-24) |
| 28 | 073128 | Impeller (WFE-4, WFE-26, WF-4, WF-26, WFK-4, WFDS-4, WFDS-26) |
| 28 | 073129 | Impeller (WF-6, WF-28, WFE-6, WFE-28, WFK-6, WFDS-6, WFDS-28) |
| 28 | 073130 | Impeller (WF-8, WF-30, WFE-8, WFE-30, WFK-8, WFDS-8, WFDS-30) |
| 28 | 073131 | Impeller (WFE-12, WF-12, WFK-12) |

POWER END SUBASSY. INCLUDES ITEMS No. 12 THRU 18, 27, 28, CONT.

| | |
|--------|-------------------------------|
| 075251 | WF-2, WF-23 |
| 075145 | WFDS-3, WFDS-24 |
| 075136 | WFE-2 |
| 075137 | WFE-3, WFE-24 ³ |
| 075138 | WFE-4, WFE-26 ³ |
| 075139 | WFE-6, WFE-28 ³ |
| 075140 | WFE-8, WFE-30 ³ |
| 075141 | WFE-12 ³ |
| 075142 | WFDS-4, WFDS-26 ¹¹ |
| 075143 | WFDS-6, WFDS-28 ¹¹ |
| 075144 | WFDS-8, WFDS-30 ¹¹ |
| 075252 | WF-3, WF-24 ¹⁰ |
| 075253 | WF-4, WF-26 ¹⁰ |
| 075254 | WF-6, WF-28 ¹⁰ |
| 075255 | WF-8, WF-30 ¹⁰ |
| 075256 | WF-12 ¹⁰ |

| Item | Part No. | Description |
|--|---------------------------|-------------|
| FLUID ENDS-ALL PARTS, W/O MOTOR | | |
| 075452 | WFE-3 fluid end, 3/4 HP | |
| 075453 | WFE-4 fluid end, 1 HP | |
| 075454 | WFE-6 fluid end, 1-1/2 HP | |
| 075455 | WFE-8 fluid end, 2 HP | |
| 075456 | WFE-12 fluid end, 3 HP | |

NOT SHOWN

| | |
|----------|---|
| 79129900 | 2-Speed Toggle Switch with Mounting plate |
| 350202 | Seal Plate Kit: Seal plate (almond), Gasket (black), with installed Seal (Includes items 9, 16, & 18) |
| 350203 | Seal Plate Kit: Seal plate (black), Gasket (black), with installed Seal (Includes items 9, 16, & 18) |
| 356198 | WhisperFlo/IntelliFlo Quick Kit (includes 16, 9, 11, 3, 145, 25(x2)) |
| 357243 | Pot Assembly, Almond NPT. (Includes items 1-4, 10, 24 (qty. 2), 25 (qty. 2)) |
| 357244 | Pot Assembly, Black NPT. (Includes items 1-4, 10, 24 (qty. 2), 25 (qty. 2)) |
| 355001S | Motor for Pump 011021 |
| 355002S | Motor for Pump 340061 |
| 400013Z | ODP Motor End Cap and Screw |
| 357923Z | Fan Guard Kit TEFC/Super-Duty |
| 350199 | Seal Plate Kit (ozone/salt resistant) |

- ¹ Used on pumps manufactured before 6-94.
- ² Used on pumps manufactured after 6-94.
- ³ Energy efficient single phase.
- ⁴ Pumps manufactured before 11-98 require a volute replacement kit (357149) when replacing items No.9-gasket, No.10-volute, or No.18-seal plate. This kit will update the pump to the new configuration using the "Cam and Ramp" lid design.
- ⁵ Used on pumps manufactured before 11-98.
- ⁶ Used on pumps manufactured after 11-98. Includes items 1-4, 9, 10, 16, 18, 24, 25.
- ⁷ Used on pumps manufactured between 11-98 thru 12-17-99.
- ⁸ Used on pumps manufactured after 12-17-99.
- ⁹ CSA/CUL (only) for Canada.
- ¹⁰ Standard efficiency, single phase.
- ¹¹ Two Speed, single phase.
- ¹² Includes items 16 & 18.
- ¹⁴ 2-1-08 to present.
- ¹⁵ 1-31-08 and prior.

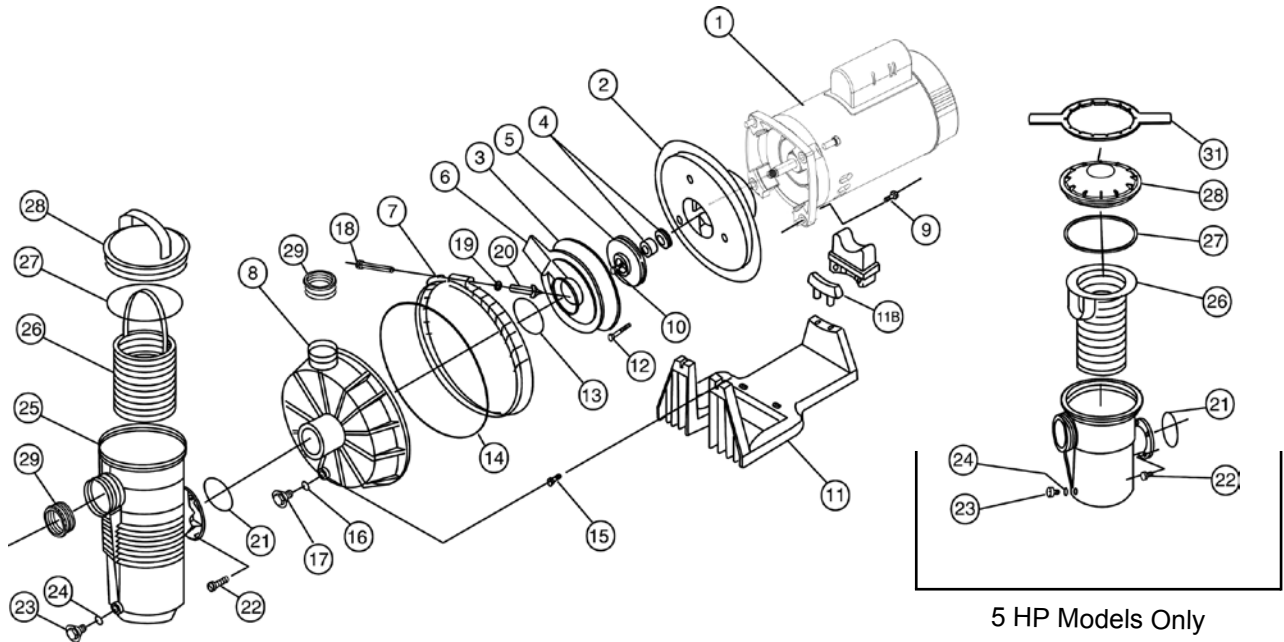
Note: Pumps and replacement motors that are single speed and one (1) Total HP or greater cannot be sold, offered for sale, or installed in a residential pool for filtration use in California, Title 20 CCR sections 1601-1609.

CALIFORNIA PROPOSITION 65 WARNING

⚠ **WARNING:** Cancer and Reproductive Harm.
⚠ **AVERTISSEMENT:** Peut Causer le Cancer et des Dommages au Système Reproducteur.
⚠ **ADVERTENCIA:** Cáncer y Daño Reproductivo.

www.p65warnings.ca.gov. P65019A

CHALLENGER® HIGH FLOW PUMP REPLACEMENT PARTS



| Item | Part No. | Description |
|---|----------|--|
| CHALLENGER HIGH FLOW PUMP MOTORS | | |
| 1 | 354804S | 3/4HP, 1SP,1PH, TEFC, 115/208-230 |
| 1 | 354822S | 1HP, 1SP,1PH, TEFC, 115/208-230 |
| 1 | 354824S | 1-1/2HP, 1SP,1PH, TEFC, 208-230 |
| 1 | 354816S | 2HP, 1SP,1PH, TEFC, 208-230 |
| 1 | 355019S | 1/2F, 3/4A std. sq. fig., 115/208-230 |
| 1 | 355021S | 3/4F, 1A std. sq. fig., 115/208-230 |
| 1 | 355023S | 1F, 1-1/2A std. sq. fig., 115/208-230 |
| 1 | 355025S | 1-1/2F, 2A std. sq. fig., 115/208-230 |
| 1 | 355027S | 2F, 2-1/2A std. sq. fig., 208-230 |
| 1 | 355034S | 3F std. sq. fig. 230 only |
| 1 | 355009S | 3/4FE, 1AE sq. fig. 115/208-230 |
| 1 | 355011S | 1FE, 1-1/2AE sq. fig. 115/208-230 |
| 1 | 355013S | 1-1/2FE, 2AE sq. fig. 208-230 |
| 1 | 355015S | 2FE, 2-1/2AE sq. fig. 208-230 |
| 1 | 355017S | 3FE, 1 ph sq. fig. 208-230 |
| 1 | 353319S | 5FE, 1 ph, 5 HP, 208-230 |
| 1 | 355375S | 3/4F, 1A std. sq. fig. 2 sp. 115 only, 28 lbs. |
| 1 | 355232S | 3/4F, 1A std. sq. fig. 2 sp. 230 only |
| 1 | 355376S | 1F, 1-1/2A std. sq. fig. 2 sp. 230 only |
| 1 | 355377S | 1-1/2F, 2A std. sq. fig. 2 sp. 230 only |

| Item | Part No. | Description |
|------|----------|---|
| 1 | 355378S | 2F, 2-1/2A std. sq. fig. 2 sp. 230 only |
| 2 | 355004 | Plate, seal - black |
| 3 | 355028 | Plate, mounting 1/2F, 3/4F, 3/4A, 1A |
| 3 | 355078 | Plate, mounting 1F, 1-1/2F, 1-1/2A, 2A |
| 3 | 355095 | Plate, mounting 2F, 2-1/2A |
| 3 | 355495 | Plate, mounting 5F |
| 4 | 354545S | Seal, 5/8 in. mechanical |
| | 356210S | Seal, mechanical (ozone/salt resistant) |
| 5 | 355043 | Impeller, 1/2F, 3/4A |
| 5 | 355067 | Impeller, 3/4F, 1A |
| 5 | 355074 | Impeller, 1F, 1-1/2A |
| 5 | 355086 | Impeller, 1-1/2F, 2A |
| 5 | 355093 | Impeller, 2F, 2-1/2A |
| 5 | 355068 | Impeller, 3F 50 Hz/5F 60 Hz |
| 6 | 355029 | Diffuser, 1/2F, 3/4F, 3/4A, 1A |
| 6 | 355077 | Diffuser, 1F, 1-1/2F, 1-1/2A, 2A |
| 6 | 355094 | Diffuser, 2F, 2-1/2A |
| 6 | 355069 | Diffuser, 3F, 50 Hz/5F 60 Hz |
| 7 | 354629 | Band clamp assembly, complete |

Note: Pumps and replacement motors that are single speed and one (1) Total HP or greater cannot be sold, offered for sale, or installed in a residential pool for filtration use in California, Title 20 CCR sections 1601-1609.

CALIFORNIA PROPOSITION 65 WARNING

⚠️ **WARNING:** Cancer and Reproductive Harm.
 ⚠️ **AVERTISSEMENT:** Peut Causer le Cancer et des Dommages au Système Reproducteur.
 ⚠️ **ADVERTENCIA:** Cáncer y Daño Reproductivo.

www.p65warnings.ca.gov. P1902031A

Replacement baskets on page 150.

CHALLENGER® HIGH FLOW PUMP (CONT'D)

REPLACEMENT PARTS

| Item | Part No. | Description |
|-----------------------------------|----------|--|
| CHALLENGER HIGH FLOW PUMPS | | |
| 8 | 355468 | Housing, front, black ⁴ |
| 8 | 355469 | Housing, front, almond ⁴ |
| 9 | 070429Z | Bolt, 3/8-16 X 7/8 SS Hex Head 18-8, 4 req. |
| 10 | 355389 | Screw, impeller locking |
| 11 | 355305 | Base, pump ¹ |
| 11B | 355385 | Adapter, 5-5/8 in. dia. motor ² |
| 12 | 355334Z | Screw, No.8, 32 hex wsh. hd., 3 req. |
| 13 | 355030Z | O-ring, diffuser (all except 5 HP) |
| 13 | 355331Z | O-ring diffuser, 5 HP only |
| 14 | 355329Z | O-ring, front housing |
| 15 | 355335 | Screw, 5/16, 18 x 1/2 in. SS hex hd., 2 req. |
| 16 | 192115Z | O-ring, drain plug |
| 17 | 357161Z | Plug, 1/4 in. drain |
| 18 | 152060 | Bolt, 5/16, 18 x 4 in. carriage ² |
| 19 | 072173 | Washer, 5/16 in. SS flat |
| 20 | 174882 | Knob (fits clamp w/ removable bolt only) |
| 20 | 175025 | Knob (fits clamp w/ captured T-bolt only) |
| 21 | 355330 | O-ring, strainer pot flange |
| 22 | 354265 | Screw, 5/16, 18 hex wsh. hd., 4 req. |
| 23 | 357161Z | Plug, 1/4 in. drain |
| 24 | 192115Z | O-ring, drain plug |
| 25 | 355300 | Strainer, pot, black ³ |
| 26 | 355318Z | Basket, plastic strainer |
| 26 | 355441 | Basket, SS Strainer (3F Only) |
| 26 | 355901 | Basket, SS strainer, 5F |
| 27 | 350013Z | O-ring, lid |
| 27 | 152509Z | Square ring, 8-1/2 in. (5 HP only) |
| 28 | 355301 | Lid, strainer pot |
| 28 | 354112 | Lid, strainer pot, chemical resistant |
| 28 | 355902 | Lid, strainer pot, 5F, clear |
| 28 | 355914 | Lid, strainer pot, 5F, black, chemical resistant |
| 29 | 552377 | Bushing, reducer 1/2F, 3/4F, 3/4A, 1A, 2 req. |
| 31 | 154527 | Wrench, 8-1/2 in. |

| Item | Part No. | Description |
|--|----------|--|
| POWER END ASSEMBLIES (INCLUDES ITEMS 1-6, 9, 12 AND 13) | | |
| | 355637 | CF-N1-3/4F, 1A std., 115/208-230 |
| | 355638 | CF-N1-1F, 1-1/2A std., 115/208-230 |
| | 355520 | CF-N1-1-1/2F, 2A std., 115/208-230 |
| | 355984 | CF-N1-3/4FE, 1AE 115/208-230 |
| | 355639 | CF-N1-1-1/2FE, 2AE 208-230 |
| | 355986 | CF-N1-2FE, 2-1/2AE 208-230 |
| | 355640 | CF-N2-3/4F, 1A 2 sp. std., 115 only |
| | 355641 | CF-N2-1F, 1-1/2A 2 sp. std., 230 only |
| | 355642 | CF-N2-1-1/2F, 2A 2 sp. std., 230 only |
| | 355987 | CF-N2-2F, 2-1/2A 2 sp. std., 230 only |
| | 345211 | CFII-N1-5FE, power end |
| NOT SHOWN | | |
| | 355309 | Union kit |
| | 356199 | Challenger Quick Kit (includes 4, 13, 14, 21, 27, 16, 24) |
| | 357391 | Pot Assembly, Black with SS basket (3F Only) Includes items 23-28 |
| | 359507 | Pot Assembly, Black with plastic bracket (all models except 3F and 5F) Includes items 23-28. |
| | 401014Z | Motor End Cap and Screw |
| | 357924Z | Fan Guard Kit TEFC/Super-Duty |

- ¹ Pump base (item 11) includes dual radius motor support adapter (item 11B) which fits both 5-5/8 in. & 6-1/2 in. dia. motors.
- ² Item 18, carriage bolt is a replacement part for old style clamp band assembly (item 7).
- ³ Includes items 23 & 24.
- ⁴ Includes items 16 & 17.

Note: Challenger booster pumps consist of 1-20.

Note: Challenger pumps consist of all items except No.15.

Note: When ordering replacement motor, give all information on motor name plate.

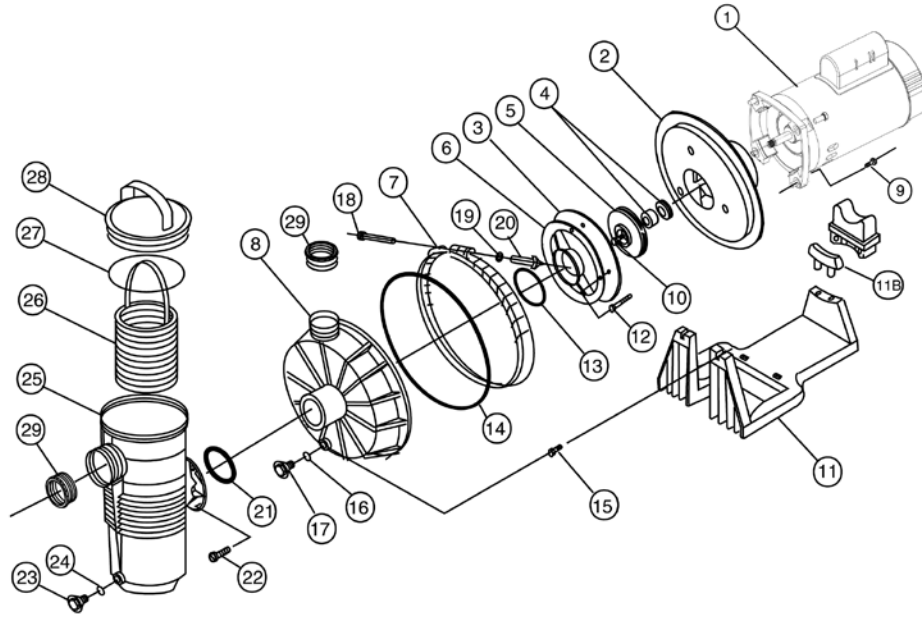
Note: Pumps and replacement motors that are single speed and one (1) Total HP or greater cannot be sold, offered for sale, or installed in a residential pool for filtration use in California, Title 20 CCR sections 1601-1609.

CALIFORNIA PROPOSITION 65 WARNING

▲ **WARNING:** Cancer and Reproductive Harm.
▲ **AVERTISSEMENT:** Peut Causer le Cancer et des Dommages au Système Reproducteur.
▲ **ADVERTENCIA:** Cáncer y Daño Reproductivo.

www.p65warnings.ca.gov. PR030716A

CHALLENGER® HIGH PRESSURE PUMP REPLACEMENT PARTS



| Item | Part No. | Description |
|---|----------|--|
| CHALLENGER HIGH PRESSURE PUMP MOTORS | | |
| 1 | 354804S | 3/4HP, 1SP,1PH, TEFC, 115/208-230 |
| 1 | 354822S | 1HP, 1SP,1PH, TEFC, 115/208-230 |
| 1 | 354824S | 1-1/2HP, 1SP,1PH, TEFC, 208-230 |
| 1 | 354816S | 2HP, 1SP,1PH, TEFC, 208-230 |
| 1 | 354818S | 3HP, 1SP, 1PH, TEFC, 208-230 |
| 1 | 355019S | 1/2F, 3/4A std. sq. fig., 115/208-230 |
| 1 | 355021S | 3/4F, 1A std. sq. fig., 115/208-230 |
| 1 | 355023S | 1F, 1-1/2A std. sq. fig., 115/208-230 |
| 1 | 355025S | 1-1/2F, 2A std. sq. fig., 115/208-230 |
| 1 | 355027S | 2F, 2-1/2A std. sq. fig., 208-230 |
| 1 | 355034S | 3F std. sq. fig. 230 only |
| 1 | 355009S | 3/4FE, 1AE sq. fig. 115/208-230 |
| 1 | 355011S | 1FE, 1-1/2AE sq. fig. 115/208-230 |
| 1 | 355013S | 1-1/2FE, 2AE sq. fig. 208-230 |
| 1 | 355015S | 2FE, 2-1/2AE sq. fig. 208-230 |
| 1 | 355017S | 3FE, 1 ph sq. fig. 208-230 |
| 1 | 353319S | 5FE, 1 ph, 5 HP, 208-230 |
| 1 | 355375S | 3/4F, 1A std. sq. fig. 2 sp. 115 only, 28 lbs. |
| 1 | 355232S | 3/4F, 1A std. sq. fig. 2 sp. 230 only |
| 1 | 355376S | 1F, 1-1/2A std. sq. fig. 2 sp. 230 only |
| 1 | 355377S | 1-1/2F, 2A std. sq. fig. 2 sp. 230 only |
| 1 | 355378S | 2F, 2-1/2A std. sq. fig. 2 sp. 230 only |
| 1 | 354806S | 1 HP, 3 ph sq. fig. 208-230/460 |
| 1 | 354808S | 1-1/2 HP, 3 ph sq. fig. 208-230/460 |
| 1 | 354810S | 2 HP, 3 ph sq. fig. 208-230/460 |
| 1 | 354812S | 3HP, 3 ph sq. fig. 208-230/460 |
| 1 | 354814S | 5HP, 3 ph, sq. fig. 208-230/460 |
| 2 | 355004 | Plate, seal - black |

| Item | Part No. | Description |
|------|----------|---|
| 3 | 355384 | Plate, mounting 1/2F, 3/4A |
| 3 | 355317 | Plate, mount 3/4F thru 3F, 1A thru 2-1/2A |
| 4 | 354545S | Seal, 5/8 in. mechanical PS 200 |
| | 356210S | Seal, mechanical (ozone/salt resistant) |
| 5 | 355147 | Impeller, 1/2F, 3/4A |
| 5 | 355187 | Impeller, 3/4F, 1A |
| 5 | 355369 | Impeller, 1F, 1-1/2A |
| 5 | 355315 | Impeller, 1-1/2F, 2A |
| 5 | 355604 | Impeller, 2F, 2-1/2A ¹ |
| 5 | 355544 | Impeller, 3F |
| 6 | 355148 | Diffuser, 1/2F, 3/4A |
| 6 | 355188 | Diffuser, 3/4F, 1F, 1A, 11/2A |
| 6 | 355270 | Diffuser, 1-1/2F, 2A |
| 6 | 355545 | Diffuser, 3F, 2.5A, 2F ² |
| 7 | 355320 | Band, clamp assembly complete |
| 8 | 355468 | Housing, front, black |
| 8 | 355469 | Housing, front, almond |
| 9 | 070429Z | Bolt, 3/8-16 X 7/8 SS Hex Head 18-8, 4 req. |
| 10 | 355389 | Screw, imp. locking |
| 11 | 355305 | Base, pump ³ |
| 11B | 355385 | Adapter, 5-5/8 in. dia. motor ⁴ |
| 12 | 355334Z | Screw, 8-32 x 1 in. SS hex wsh. hd., 3 req. |
| 13 | 355331Z | O-ring, diffuser |

CALIFORNIA PROPOSITION 65 WARNING

⚠️ **WARNING:** Cancer and Reproductive Harm.
 ⚠️ **AVERTISSEMENT:** Peut Causer le Cancer et des Dommages au Système Reproducteur.
 ⚠️ **ADVERTENCIA:** Cáncer y Daño Reproductivo.

www.p65warnings.ca.gov. P652011A

CHALLENGER® HIGH PRESSURE PUMP (CONT'D)

REPLACEMENT PARTS

| Item | Part No. | Description |
|---------------------------------------|----------|---|
| CHALLENGER HIGH PRESSURE PUMPS | | |
| 14 | 355329Z | O-ring, front housing |
| 15 | 355335 | Screw, 5/16 in., 18 x 1/2 in. SS hex wsh. hd., 2 req. |
| 16 | 192115Z | O-ring, drain plug |
| 17 | 357161Z | Plug, 1/4 in. drain |
| 18 | 152060 | Bolt, 5/16 in., 18 x 4 in. carriage ⁵ |
| 19 | 072173 | Washer, 5/16 in. SS flat |
| 20 | 174882 | Knob (fits clamp w/ removable bolt only) |
| 20 | 175025 | Knob (fits clamp w/ captured t-bolt only) |
| 21 | 355330 | O-ring, strainer pot flange |
| 22 | 354265 | Screw, 5/16 in., 18 x 3/4 in. SS hex wsh. hd., 4 req. |
| 23 | 357161Z | Plug, 1/4 in. drain |
| 24 | 192115Z | O-ring, drain plug |
| 25 | 355300 | Pot strainer |
| 26 | 355318Z | Basket, plastic strainer (all except 3F) |
| 26 | 355441 | Basket, SS strainer (3F only) |
| 27 | 350013Z | O-ring, lid |
| 28 | 355301 | Lid, strainer pot |
| 28 | 354112 | Lid, strainer pot chemical resistant |
| 29 | 552377 | Bushing, reducer 1/2F, 3/4F, 3/4A, 1A |

| POWER END ASSEMBLIES (INCLUDES ITEMS 1-6, 9, 10, 12 AND 13) | | |
|--|---------------------------------------|----------------------|
| 355670 | CH-N1-1/2F, 3/4A std. power end | 115/208-230 |
| 355671 | CH-N1-3/4F, 1A std. power end | 115/208-230 |
| 355672 | CH-N1-1F, 1-1/2A std. power end | 115/208-230 |
| 355669 | CH-N1-11/2F, 2A std. power end | 115/208-230 |
| 355674 | CH-N1-1FE, 1-1/2AE power end | 115/208-230 |
| 355675 | CH-N1-1-1/2FE, 2AE power end | 208-230 |
| 355676 | CH-N1-2FE, 2-1/2AE power end | 208-230 ¹ |
| 355677 | CH-N1-3FE, 1 ph power end | 208-230 |
| 355679 | CH-N2-3/4F, 1A 2 sp. std. power end | 115 only |
| 355680 | CH-N2-1F, 1-1/2A 2 sp. std. power end | 230 only |
| 355681 | CH-N2-1-1/2F, 2A 2 sp. std. power end | 230 only |
| 355682 | CH-N2-2F, 2-1/2A 2 sp. std. power end | 230 only |

| Item | Part No. | Description |
|------------------|----------|--|
| NOT SHOWN | | |
| | 355302 | Housing booster pump |
| | 355309 | Union Kit |
| | 357391 | Pot Assembly, Black with SS basket (3F Only) Includes items 23-28 |
| | 359507 | Pot Assembly, Black with plastic bracket (all models except 3F and 5F) Includes items 23-28. |
| | 356199 | Challenger Quick Kit (includes 4, 13, 14, 21, 27, 16, 24) |
| | 401014Z | Motor End Cap and Screw |
| | 357924Z | Fan Guard Kit TEFC/Super-Duty |

¹ Used on 2F, 2-1/2A pumps built after 10-1-92.

² Used on 2F, 2-1/2A pumps built prior to 10-1-92. Must replace w/ both diffuser 355545 & impeller 355604.

³ Pump base, (item 11) includes dual radius motor support adapter (item 11B), which fits both 5-5/8 in. & 6-1/2 in. dia. motors.

⁴ Item 11A motor support is a replacement part that fits only older style pump bases with rectangular opening.

⁵ Carriage bolt (item 18) fits prev. style clamp band assembly (item 7).

Note: Challenger booster pumps consist of items 1-20.

Note: Challenger pool pumps consist of all items except item 15.

Note: Pumps and replacement motors that are single speed and one (1) Total HP or greater cannot be sold, offered for sale, or installed in a residential pool for filtration use in California, Title 20 CCR sections 1601-1609.

CALIFORNIA PROPOSITION 65 WARNING

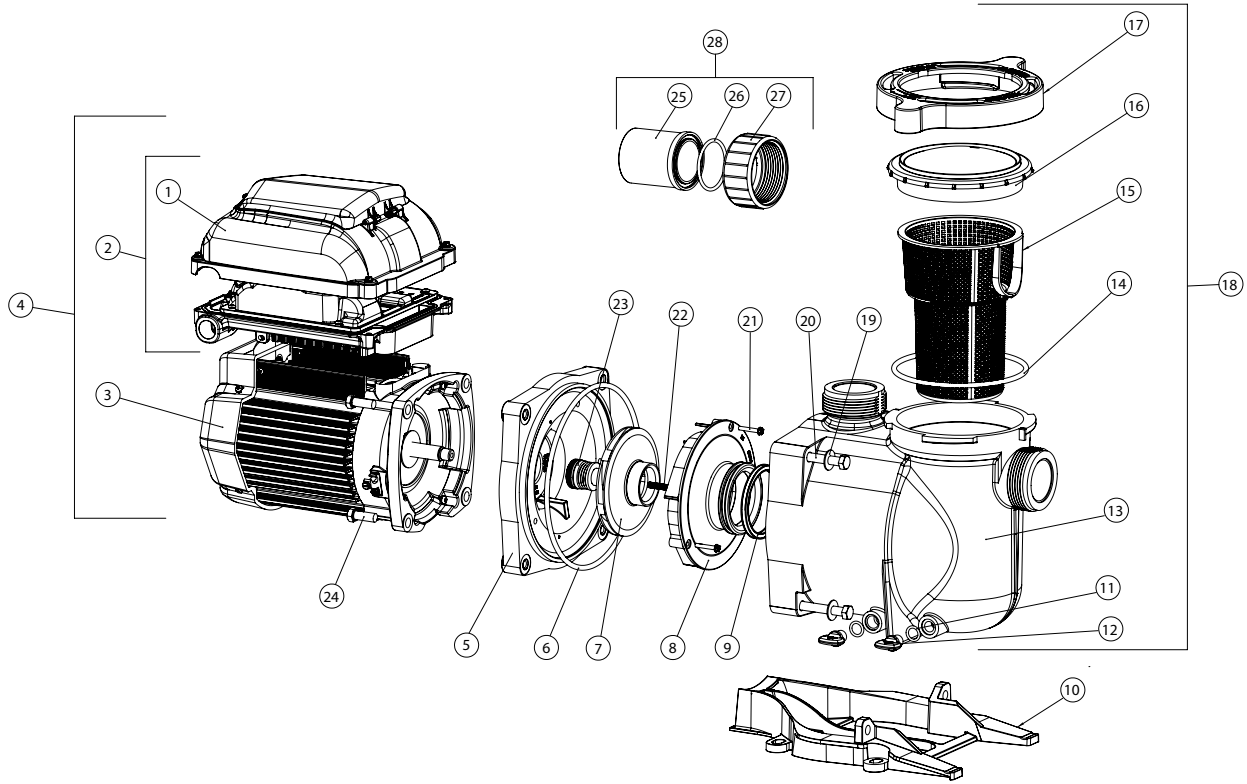
WARNING: Cancer and Reproductive Harm.
AVERTISSEMENT: Peut Causer le Cancer et des Dommages au Système Reproducteur.
ADVERTENCIA: Cáncer y Daño Reproductivo.

www.p65warnings.ca.gov
P65B01RA

SUPERFLO® VS/VST VARIABLE SPEED PUMP- AFTER OCTOBER 2020

SUPERMAX® VS VARIABLE SPEED PUMP- AFTER OCTOBER 2020

REPLACEMENT PARTS



SUPERFLO® VS/VST VARIABLE SPEED PUMP- AFTER OCTOBER 2020

SUPERMAX® VS VARIABLE SPEED PUMP- AFTER OCTOBER 2020

REPLACEMENT PARTS

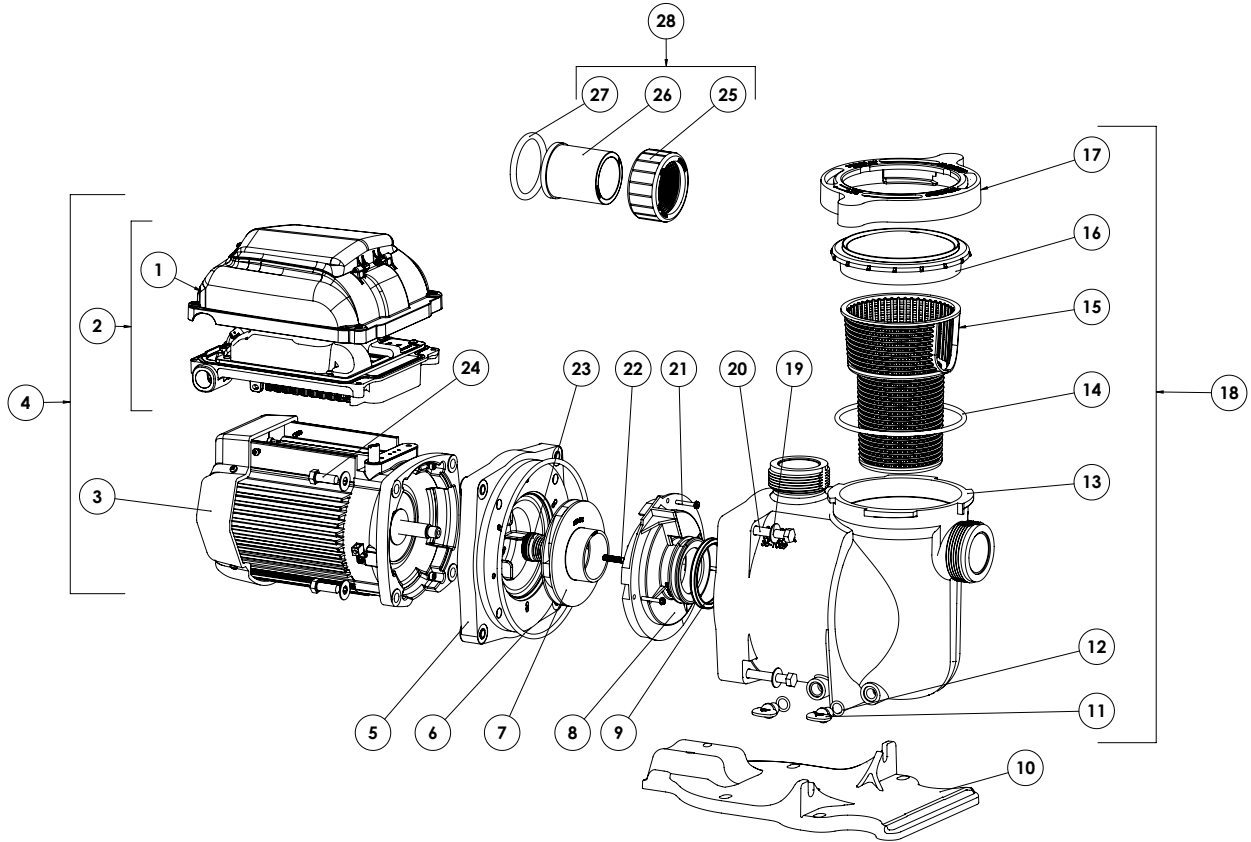
| Item | Part No. | Description |
|---|--------------|--|
| SUPERFLO VS/VST & SUPERMAX VS VARIABLE SPEED PUMPS | | |
| 1 | 353123 | Drive Cover, Almond |
| 1 | 356279 | Drive Cover (RS-485), Almond |
| 1 | 356280 | Drive Cover (RS-485), Black |
| 2 | 356282 | Drive Kit , (RS-485), Almond |
| 2 | 356283 | Drive Kit, (RS-485), Black |
| 3 | 356286S | Motor TEFC, Almond |
| 3 | 356287S | Motor TEFC, Black |
| 4 | 356288S | Motor/Drive Assembly, Almond |
| 4 | 356289S | Motor/Drive Assembly (RS-485), Almond |
| 4 | 356290S | Motor/Drive Assembly (RS-485), Black |
| 5 | 356071Z | Sealplate ⁴ , Almond |
| 5 | 356072Z | Sealplate, Black |
| 6 | 355619Z | Sealplate Gasket |
| 7 | C105-238PDCA | Impeller |
| 8 | 355949Z | Diffuser |
| 9 | 355331Z | Diffuser Seal |
| 10 | 350094 | Base, Almond |
| 10 | 351094 | Base, Black |
| 11 | 071131Z | Drain Plug, Almond (2 req.) |
| 11 | 357161Z | Drain Plug, Black (Qty. 2) |
| 12 | 192115Z | O-Ring Drain Plug (Qty. 2) |
| 13 | 350089 | Strainer Pot, Almond |
| 13 | 351089 | Strainer Pot, Black |
| 14 | 357255Z | Lid O-Ring |
| 15 | 355667 | Strainer Basket |
| 16 | 350091 | Lid |
| 17 | 350090 | Locking Ring, Almond |
| 17 | 351090 | Locking Ring, Black |
| 18 | 353010 | Strainer Pot Assembly, Almond (Includes Items 11-17) |
| 18 | 353110 | Strainer Pot Assembly, Black (Includes Items 11-17) |
| 19 | 072184 | Washer 3/8 In. SS, (Qty. 4) |
| 20 | 355621 | Bolt, Hex 3/8-16 X 2 1/4, (Qty. 4) |
| 21 | 355334Z | Diffuser Screw (Qty. 3) |
| 22 | 355389 | Impeller Screw |
| 23 | 17351-0101S | Shaft Seal |
| 24 | 354290 | Bolt, Hex, 3/8-16 (Qty. 4) |
| 25 | 350093 | Union Adapter, (Qty. 2) |
| 26 | 6020018 | Union Adapter O-ring (Qty. 2) |
| 27 | 270141 | Union Nut, Black (Qty. 2) |
| 28 | 351157 | SuperFlo/SuperMax Union Kit (includes items 25-27) (Qty 2) |
| * | 356324Z | RS-485 Automation Wiring Kit, 25 ft. |
| * | 357923Z | Motor Fan Guard Kit, TEFC Super-Duty, Almond |
| * | 357924Z | Motor Fan Guard Kit, TEFC Super-Duty, Black |

* Not Shown

SUPERFLO® VS/VST VARIABLE SPEED PUMP- BEFORE NOVEMBER 2020

SUPERMAX® VS VARIABLE SPEED PUMP- BEFORE NOVEMBER 2020

REPLACEMENT PARTS



SUPERFLO® VS/VST VARIABLE SPEED PUMP- BEFORE NOVEMBER 2020

SUPERMAX® VS VARIABLE SPEED PUMP- BEFORE NOVEMBER 2020

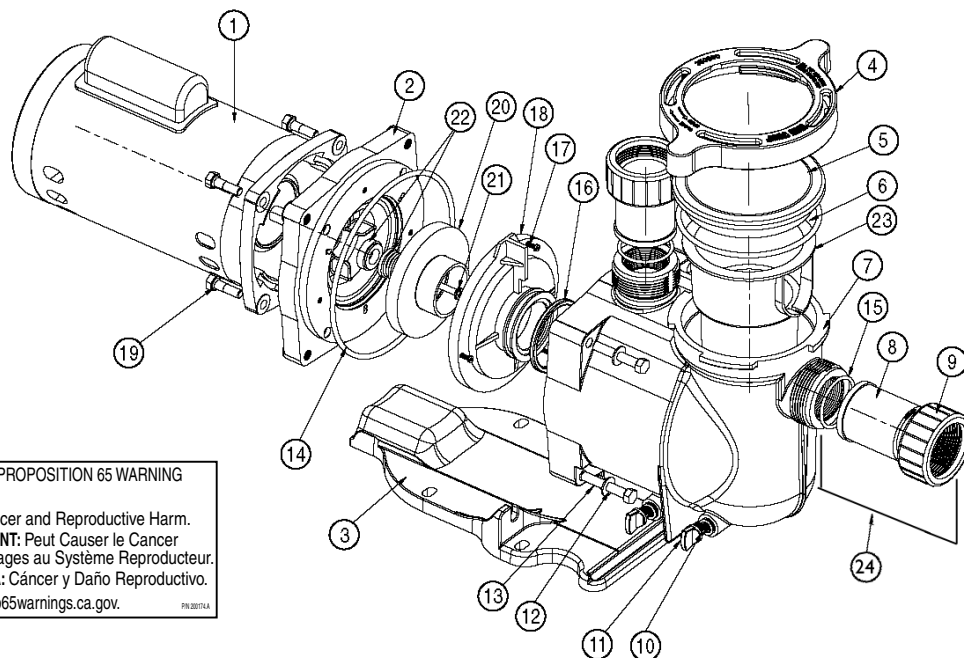
REPLACEMENT PARTS

| Item | Part No. | Description |
|---|--------------|--|
| SUPERFLO VS/VST & SUPERMAX VS VARIABLE SPEED PUMPS | | |
| 1 | 353123 | Drive Cover, Almond |
| 1 | 353124 | Drive Cover, Black |
| 2 | 353127 | Drive Kit, Almond |
| 2 | 353128 | Drive Kit, Black |
| 3 | 353134S | Motor, Almond |
| 3 | 353135S | Motor, Black |
| 4 | 353132S | Motor/Drive Assembly, Almond |
| 4 | 353133S | Motor/Drive Assembly, Black |
| 5 | 356012 | Sealplate- Almond (Mfg. Before 06/17/19) |
| 5 | 355612 | Sealplate, Black (Mfg. Before 06/17/19) |
| 5 | 356071Z | Sealplate, Almond (Mfg. After 06/17/19) |
| 5 | 356072Z | Sealplate, Black (Mfg. After 06/17/19) |
| 6 | 355619Z | Sealplate Gasket |
| 7 | 355074 | Impeller (Mfg. Before 06/17/19) |
| 7 | C105-238PDCA | Impeller (Mfg. After 06/17/19) |
| 8 | 355618 | Diffuser (Mfg. Before 06/17/19) |
| 8 | 355949 | Diffuser (Mfg. After 06/17/19) |
| 9 | 355030Z | Diffuser Seal (Mfg. Before 06/17/19) |
| 9 | 355331Z | Diffuser Seal (Mfg. After 06/17/19) |
| 10 | 350094 | Base, Almond |
| 10 | 351094 | Base, Black |
| 11 | 071131Z | Drain Plug, Almond (2 req.) |
| 11 | 357161Z | Drain Plug, Black (2 req.) |
| 12 | 192115Z | O-Ring Drain Plug (Qty. 2) |
| 13 | 350089 | Strainer Pot, Almond |
| 13 | 351089 | Strainer Pot, Black |
| 14 | 357255Z | Lid O-Ring |
| 15 | 355667 | Strainer Basket |
| 16 | 350091 | Lid |
| 17 | 350090 | Locking Ring, Almond |
| 17 | 351090 | Locking Ring, Black |
| 18 | 353010 | Strainer Pot Assembly, Almond (Includes Items 11-17) |
| 18 | 353110 | Strainer Pot Assembly, Black (Includes Items 11-17) |
| 19 | 072184 | Washer 3/8 In. SS, (Qty. 4) |
| 20 | 355621 | Bolt, Hex 3/8-16 X 2 1/4, (Qty. 4) |
| 21 | 355334Z | Diffuser Screw (Qty. 3) |
| 22 | 355389 | Impeller Screw |
| 23 | 354545S | Shaft Seal (Mfg. Before 06/17/19) |
| 23 | 17351-0101S | Shaft Seal (Mfg. After 06/17/19) |
| 24 | 354290 | Bolt, Hex, 3/8-16 (Qty. 4) |
| 25 | 350093 | Union Adapter, (Qty. 2) |
| 26 | 6020018 | Union Adapter O-ring (Qty. 2) |
| 27 | 270141 | Union Nut, Black (Qty. 2) |
| 28 | 351157 | SuperFlo/SuperMax Union Kit (includes items 25-27) (Qty 2) |
| * | 353129Z | Digital Input Wiring Kit, 25 ft. |
| * | 357923Z | Motor Fan Guard Kit, TEFC Super-Duty, Almond |
| * | 357924Z | Motor Fan Guard Kit, TEFC Super-Duty, Black |

* Not Shown

SUPERFLO® PUMP

REPLACEMENT PARTS



CALIFORNIA PROPOSITION 65 WARNING

⚠ **WARNING:** Cancer and Reproductive Harm.
 ⚠ **AVERTISSEMENT:** Peut Causer le Cancer et des Dommages au Système Reproducteur.
 ⚠ **ADVERTENCIA:** Cáncer y Daño Reproductivo.
www.p65warnings.ca.gov PA 201214

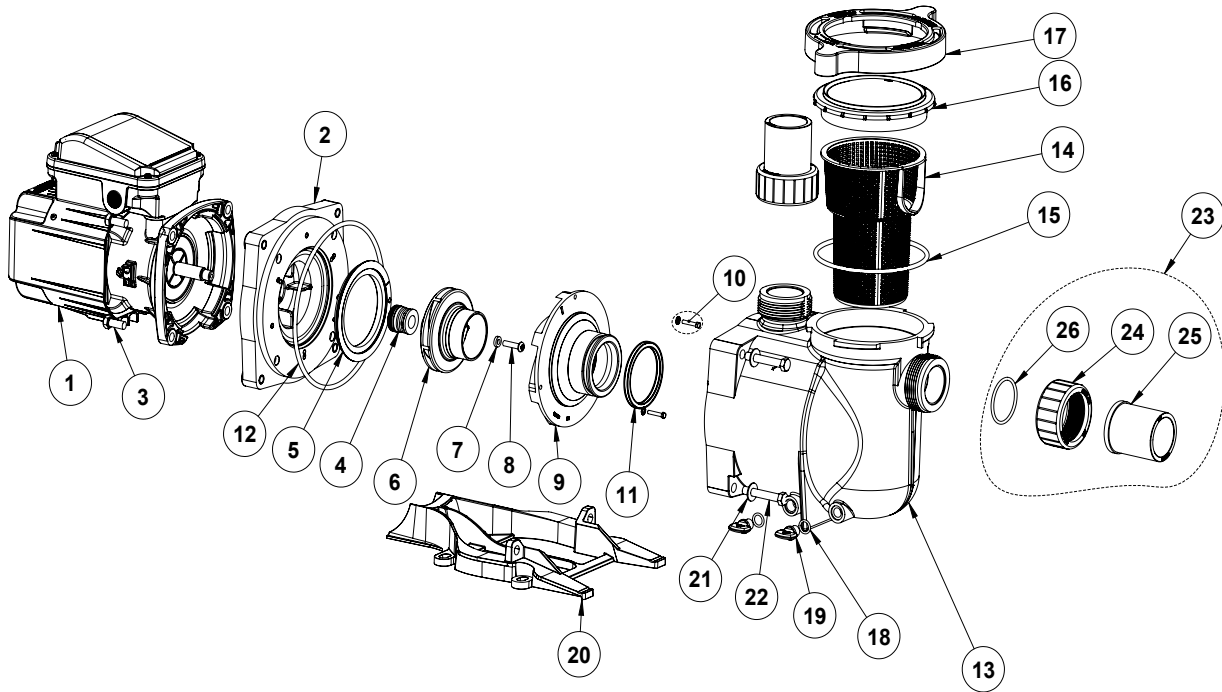
| Item | Part No. | Description |
|---|----------|---|
| SINGLE SPEED SUPERFLO MOTORS | | |
| 1 | 354803S | 3/4 HP Motor, 1SP, 1PH, TEFC 115/208-230 |
| 1 | 354821S | 1 HP Motor, 1SP, 1PH, TEFC 115/208-230 |
| 1 | 354823S | 1-1/2 HP Motor, 1SP, 1PH, TEFC 208-230 |
| 1 | 354815S | 2 HP Motor, 1SP, 1PH, TEFC 208-230 |
| 1 | 355018S | 1/2 HP Motor SQFL, 1 Speed, 1 phase, 115/208-230, 60 Hz, almond |
| 1 | 355018S | 3/4 HP Motor SQFL, 1 Speed, 1 phase, 115/208-230, 60 Hz, almond |
| 1 | 355020S | 1 HP Motor SQFL, 1 Speed, 1 phase, 115/208-230, 60 Hz, almond |
| 1 | 355022S | 1-1/2 HP Motor SQFL, 1 Speed, 1 phase, 115/208-230, 60 Hz, almond |
| 1 | 355024S | 2 HP Motor SQFL, 1 Speed, 1 phase, 6115/208-230, 60 Hz, almond |
| 1 | 355026S | 2-1/2 HP Motor SQFL, 1 Speed, 1 phase, 208-230, 60 Hz, almond |
| 2 SPEED SUPERFLO MOTORS | | |
| 1 | 355003S | 1 HP Motor SQFL, 2 Speed, 1 phase, 60 Hz |
| 1 | 356630S | 1-1/2 HP Motor SQFL, 2 Speed, 1 phase, 60 Hz |
| 1 | 071320S | 2 HP Motor SQFL, 2 Speed, 1 phase, 60 Hz |
| ENERGY EFFICIENT SUPERFLO MOTORS | | |
| 1 | 355008S | 1/2 HP Motor SQFL, 1 Speed, 1 phase, 60 Hz, 115/208-230, almond |
| 1 | 355008S | 3/4 HP Motor SQFL, 1 Speed, 1 phase, 60 Hz, 115/208-230, almond |
| 1 | 355008S | 1 HP Motor SQFL, 1 Speed, 1 phase, 60 Hz, 115/208-230, almond |
| 1 | 355010S | 1.5 HP Motor SQFL, 1 Speed, 1 phase, 60 Hz, 115/208-230, almond |
| 1 | 355012S | 2 HP Motor SQFL, 1 Speed, 1 phase, 60 Hz, 208-230, almond |
| SUPERFLO PUMPS | | |
| 2 | 356012 | Seal plate |
| 3 | 350094 | Base |
| 4 | 350090 | Clamp, Cam & Ramp® |
| 5 | 350091 | Lid |
| 6 | 357255Z | O-ring, lid No. 2-357 |
| 7 | 350089 | Volute |
| 8 | 350093 | Adaptor, 2 req. |

| Item | Part No. | Description |
|---------------------------|----------|---|
| 9 | 270141 | Nut, 2 req. |
| 10 | 192115Z | O-ring drain plug, 2 req. |
| 11 | 071131Z | Drain plug, (2 req.) |
| 12 | 355621 | Screw, 3/4-16 x 2-1/4 Hex hd, 4 req. |
| 13 | 072184 | Washer, 3/8 in. SS, 4 req. |
| 14 | 355619Z | O-ring, 1 req. |
| 15 | 6020018 | O-ring adaptor No.2-226, 2 req. |
| 16 | 355030Z | Seal diffuser |
| 17 | 355334Z | Screw, No.8-32 hex washer HD, 3 req. |
| 22 | 354545S | Seal set |
| | 356210S | Seal, mechanical, ozone/salt resistant |
| 23 | 355667 | Basket large |
| SUPERFLO DIFFUSERS | | |
| 18 | 355617 | Diffuser, 1/2 HP |
| 18 | 355617 | Diffuser, 3/4 HP |
| 18 | 355617 | Diffuser, 1 HP |
| 18 | 355618 | Diffuser, 1-1/2 HP |
| 18 | 355618 | Diffuser, 2 HP |
| 18 | 350170 | Diffuser, 2-1/2 HP |
| 19 | U30-74SS | Hex head screw, 3/8, 16, 4 req. |
| SUPERFLO IMPELLERS | | |
| 20 | 355043 | Impeller 1/2 HP |
| 20 | 355043 | Impeller 3/4 HP |
| 20 | 355067 | Impeller 1 HP |
| 20 | 355074 | Impeller 1-1/2 HP |
| 20 | 355086 | Impeller 2 HP |
| 20 | 355093 | Impeller 2-1/2 HP |
| 21 | 355389 | Screw, impeller locking |
| KITS | | |
| 24 | 351157 | SuperFlo/SuperMax Union Kit, items 8, 9 & 15 (2 of each included) |
| NOT SHOWN | | |
| | 79129900 | 2-Speed Toggle Switch |
| | 400013Z | Motor End Cap and Screw |
| | 357923Z | Fan Guard Kit TEFC/Super-Duty |
| | 356197 | SuperFlo Quick Kit (includes 22, 14, 10(x2), 16, 6) |

Note: Pumps and replacement motors that are single speed and one (1) Total HP or greater cannot be sold, offered for sale, or installed in a residential pool for filtration use in California, Title 20 CCR sections 1601-1609.

SUPERFLO® DOE PUMP

REPLACEMENT PARTS



| Item | Part No. | Description |
|-----------------|----------|---------------------------------------|
| DOE PUMP | | |
| 1 | 356363S | Motor |
| 2 | 356012 | Seal Plate |
| 3 | 070249 | Bolt, Motor (Qty. 4) |
| 4 | 354545SS | Shaft Seal Set |
| 5 | 356357Z | Hydraulic Isolator |
| 6 | 356356Z | Impeller |
| 7 | 075713 | Washer, Impeller Screw |
| 8 | 071652Z | Screw, Impeller |
| 9 | 356358Z | Diffuser |
| 10 | 356213Z | Screw, Diffuser #8-32 X 7/8" (Qty. 3) |
| 11 | 355030 | Diffuser Seal |
| 12 | 355619 | O-Ring, Seal Plate |
| 13 | 350089 | Strainer Pot |
| 14 | 355667 | Strainer Basket |

| Item | Part No. | Description |
|-----------------|----------|----------------------------------|
| DOE PUMP | | |
| 15 | 357255 | O-Ring, Lid |
| 16 | 350091 | Lid |
| 17 | 350090 | Locking Ring |
| 18 | 192115Z | O-Ring, Drain Plug, (Qty. 2) |
| 19 | 071131Z | Drain Plug (Qty. 2) |
| 20 | 350094 | Base |
| 21 | 072184 | Washer, Strainer Pot, (Qty. 4) |
| 22 | 355621 | Bolt, Strainer Pot (Qty. 4) |
| 23 | 351157 | Union Kit (Includes Items 24-26) |
| 24 | 270141 | Union Nut (Qty. 2) |
| 25 | 350093 | Union Adapter (Qty. 2) |
| 26 | 6020018 | Union O-Ring (Qty. 2) |
| - | 357809 | Motor Fan Guard |

CALIFORNIA PROPOSITION 65 WARNING

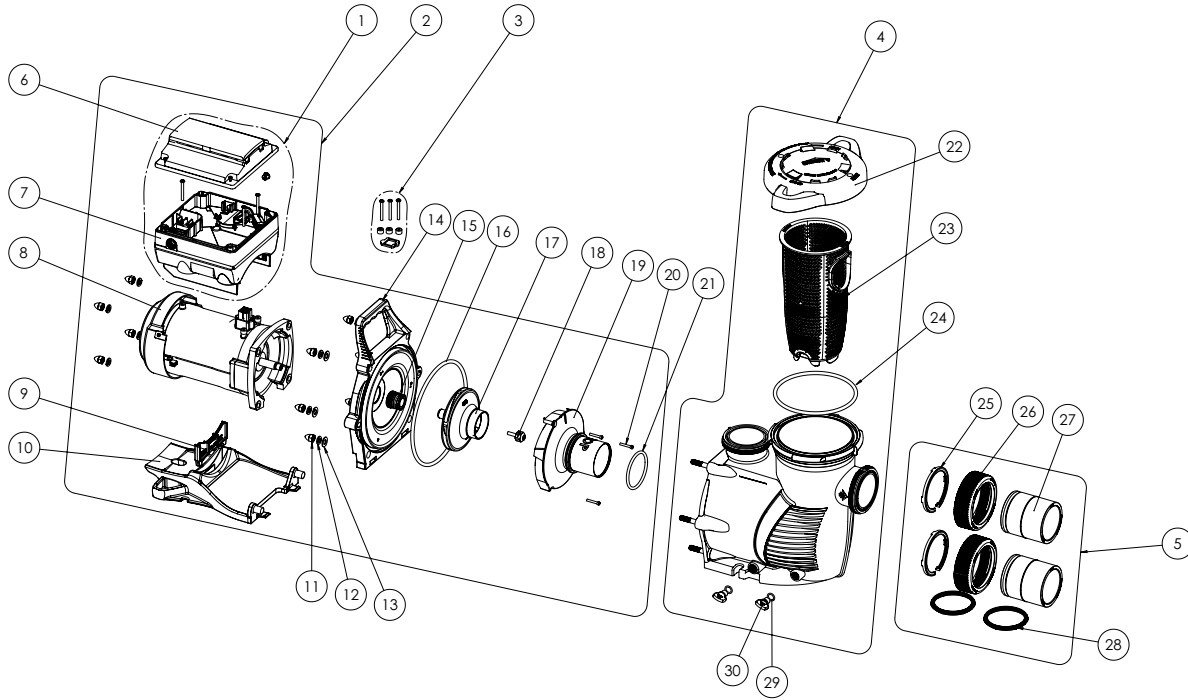
⚠ **WARNING:** Cancer and Reproductive Harm.
 ⚠ **AVERTISSEMENT:** Peut Causer le Cancer et des Dommages au Système Reproducteur.
 ⚠ **ADVERTENCIA:** Cáncer y Daño Reproductivo.

www.p65warnings.ca.gov PHL020174A

INTELLIPROXF® VSF PUMP INTELLIPROXF VS PUMP - AFTER AUGUST 2015



REPLACEMENT PARTS



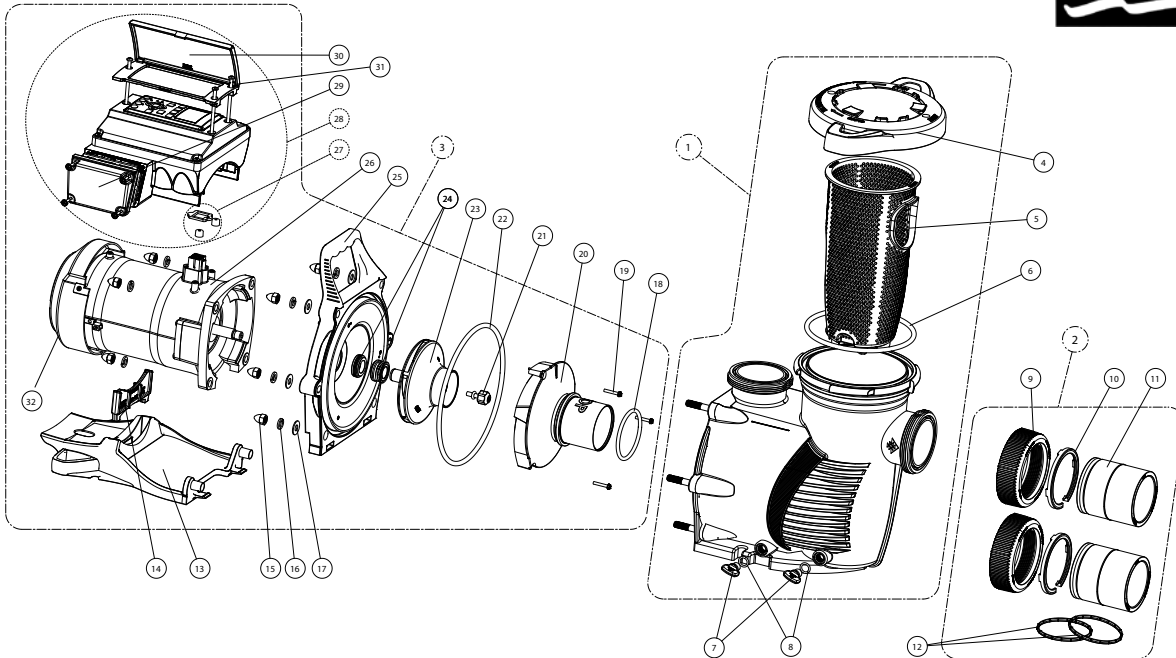
| Item | Part No. | Description |
|--|-------------|--|
| INTELLIPROXF/INTELLIFLOXF VS PUMP | | |
| 1 | 352032Z | Drive Kit (VSF model) |
| 1 | 356893Z | Drive Kit (VS model) |
| 2 | 401655Z | Power End Kit (VS model) |
| 3 | 355685 | Drive Hardware Kit |
| 4 | 401000 | Wet End Assembly |
| 5 | 410020 | Union Kit w/o Tap |
| 6 | 358527Z | Keypad Assembly Kit |
| 7 | 356898Z | Drive (VSF model) |
| 7 | 356892Z | Drive (VS model) |
| 8 | 350306S | Motor |
| 9 | 357160 | Motor Support Insert |
| 10 | 401004Z | Motor Base |
| 11 | 071413 | Acorn Nut (Qty. 10) |
| 12 | U43-12SS | Lock Washer (Qty. 10) |
| 13 | 072184 | Flat Washer (Qty. 6) |
| 14 | 401002 | Seal Plate |
| 15 | 17351-0101S | Mechanical Seal |
| 16 | 351446 | Seal Plate O-Ring |
| 17 | 400015Z | Impeller Assembly (includes screw and washer) |
| 18 | 37337-6080 | Impeller Screw, Plastic-Head (pumps mfg. before 10/7/2019) |
| 18 | 356073 | Impeller Screw, Metal-Head (pumps mfg. after 10/7/2019) |
| 19 | 400010 | Diffuser |

| Item | Part No. | Description |
|------------------|------------|-------------------------------------|
| 20 | 353323 | Diffuser Screws |
| 21 | 350336 | Diffuser O-Ring |
| 22 | 401006 | Lid/Locking Ring Assembly |
| 23 | 400007Z | Strainer Basket |
| 24 | 35505-1440 | Lid/Locking Ring O-Ring |
| 25 | 410001 | 2.5" C-Clip Locking Ring (Qty. 2) |
| 26 | 411000 | 2.5" Union Nut (Qty. 2) |
| 27 | 410002 | 2.5" Union Adapter w/o Tap (Qty. 2) |
| 28 | 410016Z | 2.5" Diamond Seal Kit (Qty. 2) |
| 29 | 192115Z | Drain Plug O-Ring (Qty. 2) |
| 30 | 357161Z | Drain Plug (Qty. 2) |
| NOT SHOWN | | |
| | 356905Z | Keypad Relocation Kit |
| | 400032Z | Seal Plate w/Mech Seal |
| | 350122 | 50 Ft. Communication Cable |
| | 352501 | Motor Fan Kit |
| | 072172 | Impeller Screw Washer |

CALIFORNIA PROPOSITION 65 WARNING
⚠ WARNING: Cancer and Reproductive Harm.
⚠ AVERTISSEMENT: Peut Causer le Cancer et des Dommages au Système Reproducteur.
⚠ ADVERTENCIA: Cáncer y Daño Reproductivo.
www.p65warnings.ca.gov

INTELLIPROXF® VARIABLE SPEED PUMP - BEFORE AUGUST 2015

REPLACEMENT PARTS



| Item | Part No. | Description |
|---------------------------|------------|---|
| INTELLIPRO XF PUMP | | |
| 1 | 401000 | Wet End Assembly |
| 2 | 410020 | Union Kit Without Tap |
| 3 | 401605Z | Power End Assy w/ Drive & Motor |
| 4 | 401006 | Lid/Locking Ring Assy |
| 5 | 400007Z | XF Series Replacement Basket |
| 6 | 35505-1440 | Lid/Locking Ring O-Ring |
| 7 | 357161Z | Drain Plug (2 req.) |
| 8 | 192115Z | Drain Plug O-ring (2 req.) |
| 9 | 411000 | 2.5 in. Union Nut |
| 10 | 410001 | 2.5 in. C-Clip Locking Ring |
| 11 | 410002 | 2.5 in. Union Adapter |
| 12 | 410016Z | 2.5 in. Diamond Seal Kit - (Includes two) |
| 13 | 401004Z | Motor Base |
| 14 | 357160 | Motor Support Insert- Black |
| 15 | 071413 | Acorn Nut (each) |
| 16 | U43-12SS | Split Lock Washer (each) |
| 17 | 072184 | Flat Washer (each) |
| 18 | 350336 | Diffuser O-ring |
| 19 | 353323 | Diffuser Screw |
| 20 | 400010 | Diffuser |
| 21 | 37337-6080 | Impeller, Plastic-Head (pumps mfg. before 10/07/19) |
| | 356073 | Impeller Screw, Metal-Head (pumps mfg. after 10/7/2019) |

| Item | Part No. | Description |
|------------------|-------------|--|
| 22 | 351446 | Seal Plate O-Ring |
| 23 | 400015Z | Impeller Assembly (includes screw and washer) |
| 24 | 17351-0101S | Mechanical Seal Assembly |
| 25 | 401002 | Seal Plate |
| 26 | 357294S | Motor Kit |
| 27 | 350612 | Drive Hardware and Gasket Kit (Incl. item # 31) |
| 28 | 353252 | Variable Speed Drive Assy Kit |
| 29 | 353310 | Field Wiring Comp Kit w/ Gasket |
| 30 | 350701 | Control Cover Assy Kit (incl. item #27) ¹ |
| 30 | 401100 | Control Cover Assy Kit (incl. item #27) ² |
| 31 | 350107 | Screw 10-24 x 3-1/4 in. PH MS 18-8SS (Qty. 3) |
| 32 | 352501 | Motor Fan Kit (contains Fan, Shroud, Hardware) |
| NOT SHOWN | | |
| | 400032Z | Seal Plate Kit w/ Mech Seal |
| | 400012 | Riser Plate XF to Challenger |
| | 350122 | 50 Ft. Communication Cable |
| | 072172 | Impeller Screw Washer |

¹ Used on pumps manufactured before 7/2/13

² Used on pumps manufactured after 7/2/13 to present

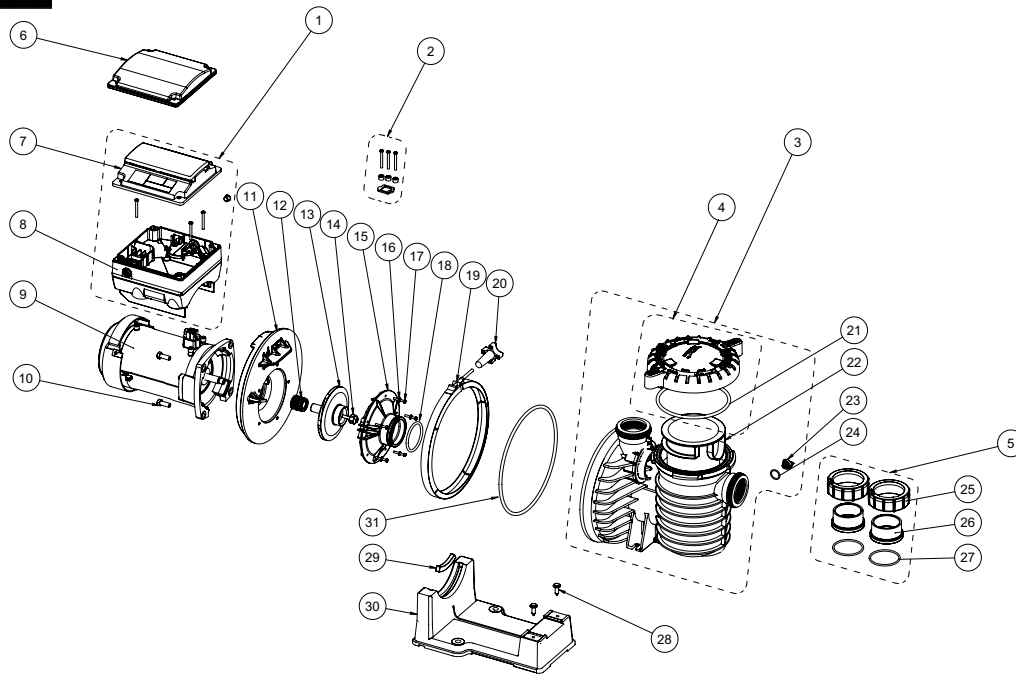
CALIFORNIA PROPOSITION 65 WARNING

⚠ **WARNING:** Cancer and Reproductive Harm.
 ⚠ **AVERTISSEMENT:** Peut Causer le Cancer et des Dommages au Système Reproducteur.
 ⚠ **ADVERTENCIA:** Cáncer y Daño Reproductivo.
www.p65warnings.ca.gov

INTELLIPRO® VSF PUMP/INTELLIPRO 2 VST PUMP INTELLIPRO VS PUMP - AFTER 2018



REPLACEMENT PARTS



| Item | Part No. | Description |
|------------------------|-------------|--|
| INTELLIPRO PUMP | | |
| 1 | 353141Z | Drive Kit w/Keypad (Includes Item #2, 7 and 8) (VSF model) |
| 1 | 356893Z | Drive Kit w/Keypad (Includes Item #2, 7 and 8) (2VST and VS models) |
| 2 | 355685 | Drive Kit Hardware Kit (Includes Drive Screws, Drive Gasket and Screw Caps) |
| 3 | 17307-0110S | Tank Body Assembly (Includes Trap Cover and Items #21-24) |
| 4 | 17307-0111S | Trap Cover Assembly (Includes Trap Cover and Item #21) |
| 5 | 42001-0402 | 2" Slip Union Half Kit (Includes Items #25-27) |
| 6 | 356905Z | Keypad Relocation Kit (Includes Keypad Relocation Cable and Blank Drive Cover) |
| 7 | 358527Z | Keypad Assembly Kit |
| 8 | 356657Z | Drive (VSF model) |
| 8 | 356892Z | Drive (2VST and VS models) |
| 9 | 350306S | Motor 3.2 KW Ferrite Blk |
| 10 | 070429Z | Bolt, 3/8-16 X 7/8 SS Hex Head 18-8, 4 req. |
| 11 | C103-194P | Seal Plate |
| 12 | 17351-0101S | Shaft Seal, EPDM black |
| 13 | C105-238PLA | Impeller Assembly |
| 14 | 37337-6080 | Impeller Screw |
| 15 | C1-271P | Diffuser |
| 16 | U43-21SS | #8 Ext Tooth Washer (Qty. 5) |
| 17 | U30-922SS | Diffuser Screw |

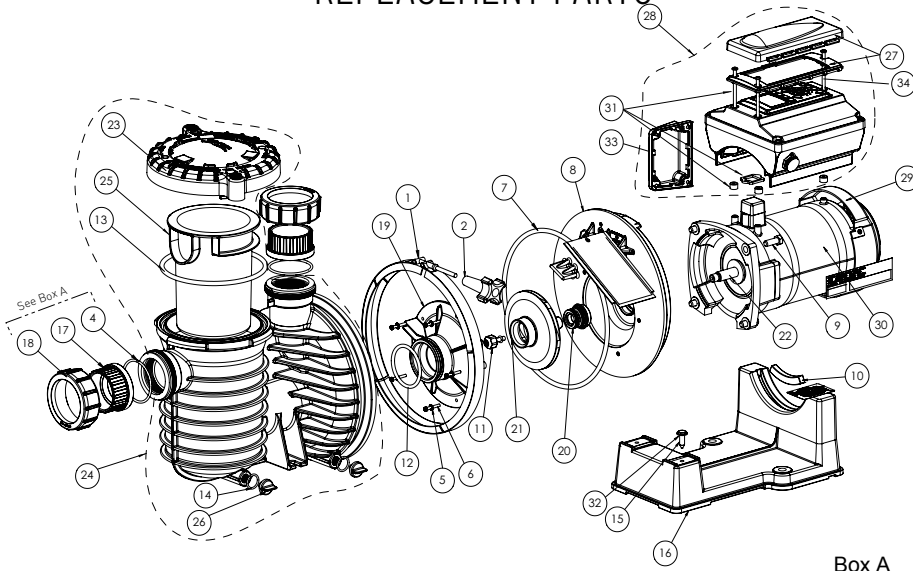
| Item | Part No. | Description |
|------|------------|--|
| 18 | U9-374Z | Diffuser O-Ring |
| 18 | 357098Z | Diffuser O-Ring (Blue Coating) |
| 19 | C19-37A | V-Clamp |
| 20 | WC36-22 | Clamp, Knob |
| 21 | 35505-1440 | Trap O-Ring, 6.90 O.D. 6.35 I.D. |
| 22 | C8-58PZ | Trap Basket |
| 23 | U78-920P | Drain Plug (Qty. 2) |
| 24 | U9-359 | Drain Plug O-Ring (Qty. 2) |
| 25 | U11-200PSZ | Union Collar (Qty. 2) |
| 26 | U11-196PSZ | 2" Slip Adapter (Qty. 2) |
| 27 | U9-362 | O-Ring #2-231 (Qty. 2) |
| 28 | U30-918SS | Base Screw, 5/16-14 x 1 in. Lg. Hi-Lo Hex (Qty2) |
| 29 | C35-11 | Motor Pad |
| 30 | C4-78P | Motor Base |
| 31 | U9-228AZ | Seal Plate O-Ring (Round) |
| 31 | 357099Z | Seal Plate O-Ring (Square) |

| NOT SHOWN | | |
|------------------|--------|--|
| | 350122 | 50 Ft. Communication Cable |
| | 354045 | Power End - IntelliPro 2 VST and VS |
| | 352501 | Motor Fan Kit |
| | 356196 | Max-E-Pro / IntelliPro Quick Kit (contains 31, 12, 18, 21, 24(x2)) |

CALIFORNIA PROPOSITION 65 WARNING
 ⚠️ **WARNING:** Cancer and Reproductive Harm.
 ⚠️ **AVERTISSEMENT:** Peut Causer le Cancer et des Dommages au Système Reproducteur.
 ⚠️ **ADVERTENCIA:** Cáncer y Daño Reproductivo.
www.p65warnings.ca.gov PH202114

INTELLIPRO® VARIABLE SPEED PUMP-BEFORE 2019

REPLACEMENT PARTS



CALIFORNIA PROPOSITION 65 WARNING

⚠ **WARNING:** Cancer and Reproductive Harm.
 ⚠ **AVERTISSEMENT:** Peut Causer le Cancer et des Dommages au Système Reproducteur.
 ⚠ **ADVERTENCIA:** Cáncer y Daño Reproductivo.
www.p65warnings.ca.gov P18 201714

Box A

For quick disconnect pipe connections, purchase separately:

PKG 188Z 2 in. Slip 1/2 Union Kit or
 Pkg. 189 2 in. NPT 1/2 Union Kit.

Includes 2 each:
 U11-200P Union Collar
 U9-362 O-Ring
 U11-196P 2 in. Slip adapter or U11-199P 2 in. NPT adapter.

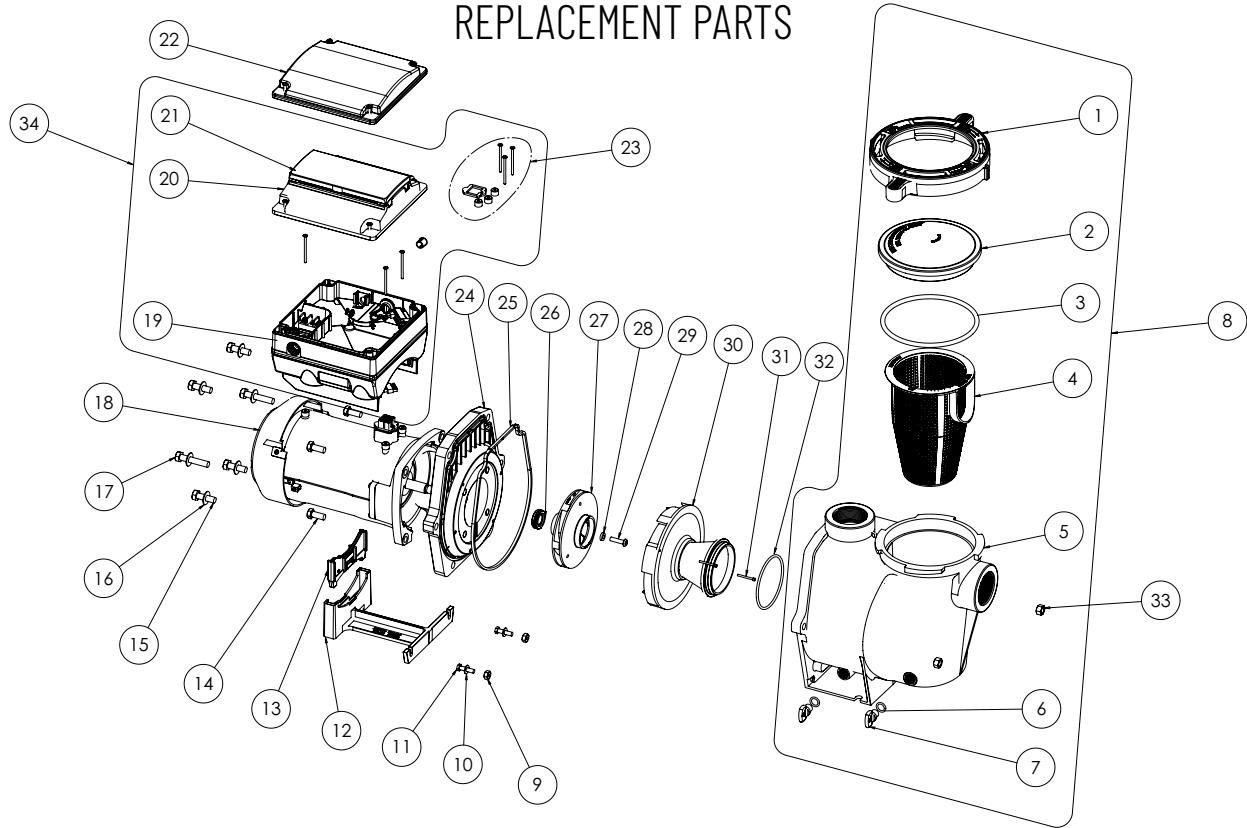
| Item | Part No. | Description |
|---------------------------------------|--------------------------|--|
| INTELLIPRO VARIABLE SPEED PUMP | | |
| 1 | C19-37A | V-Clamp |
| 2 | WC36-22 | Clamp, Knob |
| 3 | 350122 | Cable 50ft 2 COND, IntelliFlo to IntelliTouch (Not Shown). |
| 4 | U9-362 | Orng #2- 231 buna N 70 DU |
| 5 | U43-21SS | #8 Ext Tooth Wshr, 5 req. |
| 6 | U30-922SS | Mach SCR HX HD 8- 32, 5 req. |
| 7 | U9-228AZ | Seal Plate O-Ring, (Round) 1 req. |
| 7 | 357099Z | Seal Plate O-Ring, (Square) 1 req. |
| 8 | C103-194P | Sealplate. |
| 9 | U30-74SS | 3/8-16 x 1 in. HX HD SS |
| 10 | C35-11 | Motor Pad |
| 11 | 37337-6080 | Impeller Screw |
| 12 | U9-374Z | Diffuser O-Ring |
| 12 | 357098Z | Diffuser O-Ring (Blue Coating) |
| 13 | 35505-1440 | O-Ring 6.90 O. D 6.35 I. D |
| 14 | U9-359 | ORNG #2 - 112 N674- 70 Drain Plug |
| 15 | U30-918SS | SCR 5/16-14 x 1 in. LG HI-LO Hex |
| 16 | C4-78P | Base |
| 17 | U11-196PSZ | Adaptor Union 2 in. Slip |
| 18 | U11-200PSZ | Collar Union 2 in. |
| 19 | C1-271P | Diffuser |
| 20 | 17351-0101S ³ | Shaft Seal, EPDM black |
| 21 | C105-238PLA | Imp. Assy. 3 Phase |
| 22 | 17351-0009 | Slinger. Pump Shaft 1/16 in. |

| Item | Part No. | Description |
|------------------|-------------|--|
| 23 | 17307-0111S | Trap Cover Assy. (Contains: Trap Cover, Trap Ring and Cover O- Ring) |
| 24 | 17307-0110S | Tank Body Assy. Max- E- Pro Pump SVC 18 (Trap Body, Basket, Drain Plugs and Trap Cover Assy.) |
| 25 | C8-58PZ | Trap Basket |
| 26 | U78-920P | Drain Plug |
| 27 | 350701 | Cover Control Assy. Kit, Black (Contains: Cover Assy., Hardware/Gasket Kit, Inst.1) |
| 27 | 401100 | Cover Control Assy. Kit, Black (Contains: Cover Assy., 3 Screws, and 3 Spacer Caps) 2 |
| 28 | 353252 | IntelliPro Variable Speed Drive Kit - Includes Drive and Control Cover Assy., Lid, Hardware/Gasket Kit |
| 29 | 352501 | Fan Motor Kit (Contains: Fan Shroud, Fan, Hardware) |
| 30 | 357294S | Motor VFD 3.2KW PMSW, Black |
| 31 | 350612 | Hardware/Gasket Kit (Contains: 3 Screws, 3 Spacer Caps, and Drive Gasket) |
| 32 | U43-41SSZ | Washer 5/16 in. |
| 33 | 353310 | Field Wiring Compartment Kit w/ gasket |
| 34 | 350107 | Screw 10-24 x 3-1/4 in PH MS 18-8 SS (qty 3) |
| NOT SHOWN | | |
| 070209 | | Power end IntelliPro Variable Speed (Contains items 5, 6, 7, 8, 11, 19, 20, 28 & 30) |
| 356196 | | Max-E-Pro/IntelliPro Quick Kit (contains 20,7, 21, 12, 13, 14(x2)) |

¹ Used on pumps manufactured before 7/3/13
² Used on pumps manufactured 7/3/13 and after
³ Used on pumps manufactured 7/15/14 to present

INTELLIPRO® VS+SVRS PUMP - AFTER JUNE 2016

REPLACEMENT PARTS



| Item | Part No. | Description |
|--------------------------------|----------|--|
| INTELLIPRO VS+SVRS PUMP | | |
| 1 | 357150 | Clamp, Cam and Ramp |
| 2 | 357151 | See-through Lid |
| 3 | 350013Z | Lid O-Ring |
| 4 | 070387Z | Strainer Basket |
| 5 | 357157 | Volute WF |
| 6 | 192115Z | O-Ring 112 for Drain Plug (Qty 2) |
| 7 | 357161Z | Drain Plug WF (Qty 2) |
| 8 | 357244 | Volute Kit (Contains items #1-7) |
| 9 | 071406 | Nut 1/4-20 Hex SS (Qty 2) |
| 10 | 072183 | Washer, Flat 1/4" ID x 5/8" OD (Qty 2) |
| 11 | 071657Z | Screw 1/4-20 x 1" Hex Cap SS, 2 req. |
| 12 | 357159 | Foot WF |
| 13 | 357160 | Foot Insert WFE Pump Motor Support |
| 14 | 070429Z | Bolt, 3/8-16 X 7/8 SS Hex Head 18-8, 4 req. |
| 15 | 072184 | Washer, Flat 3/8" ID x 7/8 OD (Qty 6) |
| 16 | 070430 | Bolt, Hex Head 3/8-16 x 1.25" (Qty 4) |
| 17 | 070431 | Bolt, Hex Head 3/8-16 x 2" (Qty 2) |
| 18 | 350306S | Motor, 3.2 kW 10 Pole |
| 19 | 356912Z | Drive, Variable Speed |
| 20 | 358527Z | Keypad Assembly Kit (Contains item #21) |
| 21 | 401100 | Keypad Cover |
| 22 | 356905Z | Keypad Relocation Kit (Contains Keypad Relocation cable and Blank Drive Cover) |
| 23 | 355685 | Drive Hardware Kit (Contains Drive Screws, Drive Gasket and Screw Caps) |

| Item | Part No. | Description |
|------|----------|---|
| 24 | 357158 | Seal Plate |
| 25 | 357100Z | Seal Plate Gasket |
| 26 | 071734S | Mechanical Seal |
| 26 | 071732S | Mechanical Seal (ozone/salt resistant) |
| 27 | 073131 | Impeller (pumps mfg. before 10/2020) |
| 27 | 356237 | Impeller (pumps mfg. after 10/2020) |
| 28 | 075713 | Rubber Washer, Impeller Set Screw |
| 29 | 071652Z | Impeller Set Screw 1/4-20 LH Thread |
| 30 | 072928 | Diffuser (pumps mfg. before 10/2020) |
| 30 | 356238 | Diffuser (pumps mfg. after 10/2020) |
| 31 | 071660Z | Diffuser Set Screw 4-40 x 1-1/8, 2 req. |
| 32 | 355227Z | Diffuser O-Ring |
| 33 | 071403 | Nut 3/8" Brass, Nickel Plated (Qty 2) |
| 34 | 356913Z | Drive Kit (Incl. Items #19-23) |

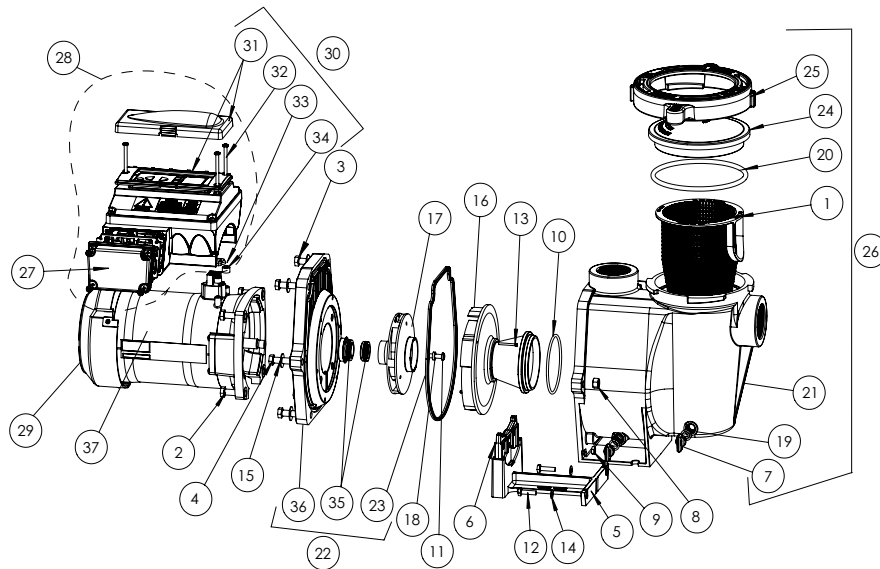
| NOT SHOWN | | |
|------------------|---|--|
| 350122 | 50 Ft. Communication Cable | |
| 350203 | Seal Plate Kit w/Mechanical Seal (Incl. Items #24, 25 and 26) | |
| 357603 | Union Kit (Incl. 2 complete unions for 1 pump - Not included with pump) | |
| 356196 | Max-E-Pro / IntelliPro Quick Kit (contains 25, 28, 32, 3, 26, 6(x2)) | |
| 350198 | Seal Plate Kit (Ozone/Salt resistant) | |
| 352501 | Motor Fan Kit | |
| 356198 | WhisperFlo/IntelliFlo Quick Kit (includes 26, 32, 25, 6(x2), 3 and 28) | |

CALIFORNIA PROPOSITION 65 WARNING

⚠ **WARNING:** Cancer and Reproductive Harm.
 ⚠ **AVERTISSEMENT:** Peut Causer le Cancer et des Dommages au Système Reproducteur.
 ⚠ **ADVERTENCIA:** Cáncer y Daño Reproductivo.
www.p65warnings.ca.gov

INTELLIPRO® VS+SVRS PUMP - BEFORE JUNE 2016

REPLACEMENT PARTS



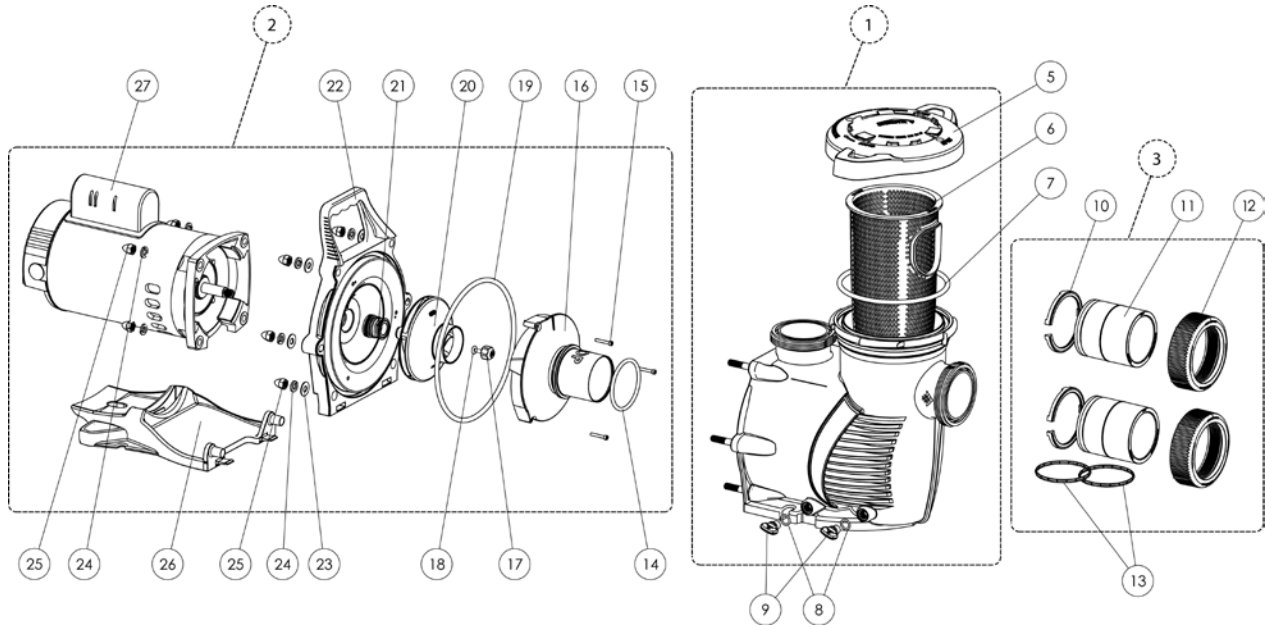
| Item | Part No. | Description |
|--------------------------------|----------|--|
| INTELLIPRO VS+SVRS PUMP | | |
| 1 | 070387Z | Basket WF |
| 2 | 070429Z | Bolt, 3/8-16 X 7/8 SS Hex Head 18-8, 4 req. |
| 3 | 070430 | Bolt, 3/8-16 x 1-1/4 hex cap 18-8 S/S, 4 req. |
| 4 | 070431 | Bolt, 3/8-16 x 2 hex cap 18-8 S/S, 2 req. |
| 5 | 357159 | Foot WF, pump motor support, black |
| 6 | 357160 | Foot insert WF pump, black |
| 7 | 357161Z | Plug drain WFE, black, 2 req. |
| 8 | 071403 | Nut, 3/8-16 brass nickel plated, 2 req. |
| 9 | 071406 | Nut, 1/4-20 hex S/S, 2 req. |
| 10 | 355227Z | O-ring #238, 3.484 x .139, buna N 70 |
| 11 | 071652Z | Screw, 1/4, 20 x 1 LH phillips pan MS 18-8 S/S, 1 req. |
| 12 | 071657Z | Screw, 1/4-20 x 1 in. hex cap 18-8 S/S, 2 req. |
| 13 | 071660Z | Screw set, 4-40 x 1-1/8 WFE sckt cap 18-8 S/S, 2 req. |
| 14 | 072183 | Washer, flat 1/4 x 5/8 20GA thick 18-8 S/S, 2 req. |
| 15 | 072184 | Washer, 3/8 ID x 7/8 OD .05 thick 18-8 S/S, 6 req. |
| 16 | 072928 | Diffuser assembly, black |
| 17 | 073131 | Impeller, IntelliPro VS+SVRS |
| 18 | 075713 | Rubber washer, WFE pump, 1 req. |
| 19 | 192115Z | O-ring 112, .487 x .103 buna -N 70, 2 req. |
| 20 | 350013Z | O-ring lid CH/WF 2-436, 1 req. |
| 21 | 357157 | Housing WFE, black |
| 22 | 350203 | Seal plate kit, black w/ gasket (Items 23, 35, 36) |
| 23 | 357100Z | Black Gasket for Seal plate |
| 24 | 357151 | Lid, see thru WF. |
| 24 | 357156 | Lid, Chemical Resistant |
| 25 | 357150 | Clamp cam & ramp WF, black |

| Item | Part No. | Description |
|------------------|----------|--|
| 26 | 357244 | Pot WF assy., black (contains 1, 7 (qty. 2), 19 (qty. 2), 20, 21, 24, 25) |
| 27 | 350310 | Junction Box Cover - Black |
| 28 | 353250 | IntelliPro VS+SVRS Drive Kit - Contains Drive and Control Cover Assy. |
| 29 | 352501 | Motor fan kit, black (contains fan, shroud, hardware). |
| 30 | 350701 | Drive Control Cover assembly kit, black (contains drive lid, screws, spacer caps, items 31, 32 (qty. 3), 33, 34 (qty. 3) 1 |
| 30 | 401100 | Drive Control Cover assembly kit, black (contains drive lid, screws, spacer caps, items 31, 32 (qty. 3), 33, 34 (qty. 3) 2 |
| 31 | 401101 | Control cover assembly (not sold individually - order assy kit item 30) |
| 32 | 350107 | Screw 10-24 x 3/4 in. PH MS 18-8 s/s (qty. 3) |
| 33 | 350108 | IntelliPro drive gasket |
| 34 | 350142 | Spacer cap (qty. 3) |
| 35 | 071734S | Seal Kit |
| 36 | 357158 | Seal Plate - black |
| 37 | 357294S | Motor VFD 3.2KW PMSM replacement, black |
| NOT SHOWN | | |
| | 350122 | 50 ft. Communication Cable |
| | 347910 | Black Volute/Seal plate Replacement Kit (Items 1, 7 (qty. 2), 19 (Qty 2), 20, 21, 22, 23, 24, 25) |
| | 350612 | Hardware/gasket assy. kit (contains 3 screws, 3 spacer caps and drive gasket) |
| | 357603 | Union Kit (contains 2 complete unions for one pump, not included with pump). |
| | 350101 | Seal plate kit without gasket (Items 35 and 36) |
| | 350198 | Seal Plate Kit (ozone/salt resistant) |

¹ Used on pumps manufactured before 3/20/2013
² Used on pumps manufactured after 3/20/2013
³ Contact factory for IntelliPro VS+SVRS

MAX-E-PROXF® SERIES PUMP

REPLACEMENT PARTS



| Item | Part No. | Description |
|--------------------------|------------------------|--|
| MAX-E-PRO XF PUMP | | |
| 1 | 401000 | Wet End Assembly |
| 2 | See chart on next page | Power End Assembly |
| 3 | 410020 | Union Kit Without Tap |
| 5 | 401006 | Lid/Locking Ring Assembly |
| 6 | 400007Z | XF Series Replacement Basket |
| 7 | 35505-1440 | Lid/Locking Ring O-Ring |
| 8 | 192115Z | Drain Plug O-Ring |
| 9 | 357161Z | Drain Plug |
| 10 | 410001 | 2.5 in. C-Clip Locking Ring |
| 11 | 410002 | 2.5 in. Union Adapter without Tap |
| 12 | 411000 | 2.5 in. Union Nut |
| 13 | 410016Z | 2.5 in. Seal Kit - (Includes two) |
| 14 | 350336 | Diffuser O-Ring |
| 15 | 353323 | Diffuser Screw |
| 16 | See chart on next page | Diffuser |
| 17 | 37337-6080 | Impeller Screw, Plastic-Head (pumps mfg. before 10/7/2019) |
| 17 | 356073 | Impeller Screw, Metal-Head (pumps mfg. after 10/7/2019) |
| 18 | 33455-1047 | Impeller Reverse Screw O-Ring |

| Item | Part No. | Description |
|------------------|------------------------|-----------------------------------|
| 19 | 351446 | Seal Plate O-Ring |
| 20 | See chart on next page | Impeller Assembly |
| 21 | 17351-0101S | Mechanical Seal Assembly |
| 22 | 401002 | Seal Plate |
| 23 | 072184 | Flat Washer |
| 24 | U43-12SS | Split Lock Washer |
| 25 | 071413 | Acorn Nut |
| 26 | 401004Z | Motor Base |
| 27 | See chart on next page | Motor |
| NOT SHOWN | | |
| | 400030Z | Hardware and O-Rings Kit |
| | 400032Z | Seal Plate Kit w/ Mechanical Seal |
| | 400012 | Riser Plate XF to Challenger |
| | 401014Z | Motor End Cap and Screw |
| | 357924Z | Fan Guard Kit TEFC/Super-Duty |

CALIFORNIA PROPOSITION 65 WARNING

⚠️ **WARNING:** Cancer and Reproductive Harm.
 ⚠️ **AVERTISSEMENT:** Peut Causer le Cancer et des Dommages au Système Reproducteur.
 ⚠️ **ADVERTENCIA:** Cáncer y Daño Reproductivo.

www.p65warnings.ca.gov. P65017A

MAX-E-PROXF[®] SERIES PUMP (CONT'D)

REPLACEMENT PARTS



| Item | Part No. | Description |
|------------------|----------|-------------------------------|
| IMPELLERS | | |
| 20 | 400020Z | XFET-8 |
| 20 | 400015Z | XFET-12 |
| 20 | 400023Z | XFET-20 |
| 20 | 400020Z | XF-8 |
| 20 | 400015Z | XF-12 |
| 20 | 400020Z | XFE-8 |
| 20 | 400015Z | XFE-12 |
| 20 | 400023Z | XFE-20 |
| 20 | 400020Z | XFDS-8 |
| 20 | 400015Z | XFDS-12 |
| 20 | 400020Z | XFDS-30 |
| 20 | 400020Z | XF-30 |
| 20 | 400020Z | XFE-30 |
| 20 | 400020Z | XFJ-8 |
| 20 | 400015Z | XFJ-12 |
| 20 | 400023Z | XFJ-20 |
| 20 | 400020Z | XFK-8 |
| 20 | 400015Z | XFK-12 |
| 20 | 400023Z | XFK-20 |
| MOTORS | | |
| 27 | 354816S | 2hp 1-Phase TEFC 208-230V |
| 27 | 354818S | 3hp 1-Phase TEFC 208-230V |
| 27 | 354820S | 5hp 1-Phase TEFC 208-230V |
| 27 | 355027S | 2hp Standard E 230V |
| 27 | 355034S | 3hp Standard E 230V |
| 27 | 355015S | 2hp High Eff 208-230V |
| 27 | 355017S | 3hp High Eff 208-230V |
| 27 | 353319S | 5hp High Eff 208-230V |
| 27 | 359527S | 2hp 2 Speed 230V |
| 27 | 353318S | 3hp 2 Speed 230V |
| 27 | 359527S | 2.5hp Uprated 2 Speed 230V |
| 27 | 355027S | 2.5hp Uprated Standard E 230V |
| 27 | 355015S | 2.5hp Uprated High E 208-230V |
| 27 | 354810S | 2hp 3 Phase 208-230-460V |
| 27 | 354812S | 3hp 3 Phase 208-230-460V |
| 27 | 354814S | 5hp 3 Phase 208-230-460V |

| Item | Part No. | Description |
|-------------------|----------|-------------------------------|
| DIFFUSERS | | |
| 16 | 400010 | XFET-8 |
| 16 | 400010 | XFET-12 |
| 16 | 400011Z | XFET-20 |
| 16 | 400010 | XF-8 |
| 16 | 400010 | XF-12 |
| 16 | 400010 | XFE-8 |
| 16 | 400010 | XFE-12 |
| 16 | 400011Z | XFE-20 |
| 16 | 400010 | XFDS-8 |
| 16 | 400010 | XFDS-12 |
| 16 | 400010 | XFDS-30 |
| 16 | 400010 | XF-30 |
| 16 | 400010 | XFE-30 |
| 16 | 400010 | XFJ-8 |
| 16 | 400010 | XFJ-12 |
| 16 | 400011Z | XFJ-20 |
| 16 | 400010 | XFK-8 |
| 16 | 400010 | XFK-12 |
| 16 | 400011Z | XFK-20 |
| POWER ENDS | | |
| 2 | 401632Z | 2hp 1-Phase TEFC 208-230V |
| 2 | 401633Z | 3hp 1-Phase TEFC 208-230V |
| 2 | 401634Z | 5hp 1-Phase TEFC 208-230V |
| 2 | 401612Z | 2hp Standard E 230V |
| 2 | 401613Z | 3hp Standard E 230V |
| 2 | 401609Z | 2hp High Eff 208-230V |
| 2 | 401610Z | 3hp High Eff 208-230V |
| 2 | 401611Z | 5hp High Eff 208-230V |
| 2 | 401607Z | 2hp 2 Speed 230V |
| 2 | 401608Z | 3hp 2 Speed 230V |
| 2 | 401607Z | 2.5hp Uprated 2 Speed 230V |
| 2 | 401612Z | 2.5hp Uprated Standard E 230V |
| 2 | 401609Z | 2.5hp Uprated High E 208-230V |
| 2 | 401617Z | 2hp 3 Phase 208-230-460V |
| 2 | 401618Z | 3hp 3 Phase 208-230-460V |
| 2 | 401619Z | 5hp 3 Phase 208-230-460V |

Note: Pumps and replacement motors that are single speed and one (1) Total HP or greater cannot be sold, offered for sale, or installed in a residential pool for filtration use in California, Title 20 CCR sections 1601-1609.

CALIFORNIA PROPOSITION 65 WARNING

▲ **WARNING:** Cancer and Reproductive Harm.
▲ **AVERTISSEMENT:** Peut Causer le Cancer et des Dommages au Système Reproducteur.
▲ **ADVERTENCIA:** Cáncer y Daño Reproductivo.

www.p65warnings.ca.gov
P65 2011-14

MAX-E-PRO® SERIES PUMP REPLACEMENT PARTS

Box A

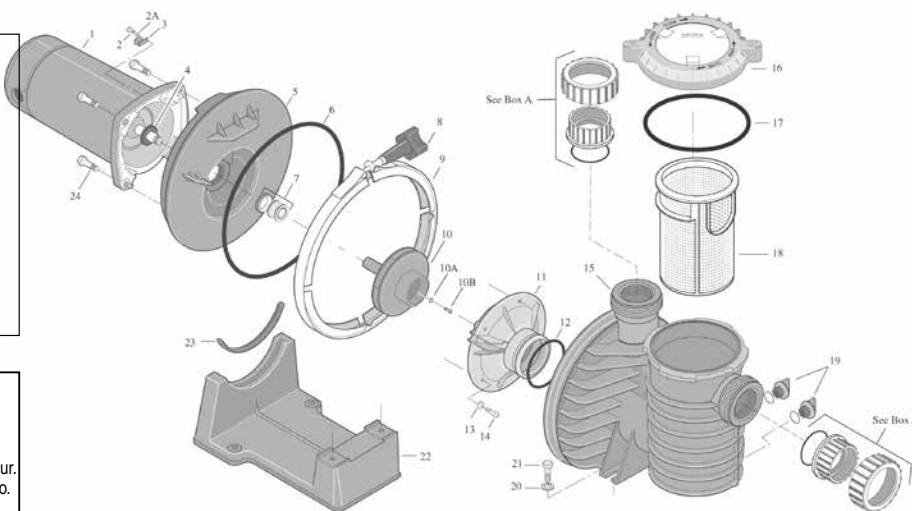
For quick disconnect pipe connections, purchase separately:
PKG 188Z 2 in. Slip 1/2 Union Kit or
Pkg. 189 2 in. NPT 1/2 Union Kit.

Includes 2 each:
U11-200P Union Collar
U9-362 O-Ring

U11-196P 2 in. Slip adapter or
U11-199P 2 in. NPT adapter.

CALIFORNIA PROPOSITION 65 WARNING

⚠ **WARNING:** Cancer and Reproductive Harm.
⚠ **AVERTISSEMENT:** Peut Causer le Cancer
et des Dommages au Système Reproducteur.
⚠ **ADVERTENCIA:** Cáncer y Daño Reproductivo.
www.p65warnings.ca.gov



| Model No. | HP | Motor No. (Item No. 1) | Impeller (Item No. 10) | Diffuser (Item No. 11) | Motor Base/Pad |
|---|-------|---------------------------|------------------------|---------------------------|-------------------|
| 1 PHASE 60 HZ PUMPS - TEFC 1-Speed | | | | | |
| 348150 | 1 | 354822S | C105-238PB | C1-271P1 | Note 6 |
| 348151 | 1-1/2 | 354824S | C105-238PDBA | C1-271P | Note 6 |
| 348152 | 2 | 354816S | C105-238PEBA | C1-271P | Note 6 |
| 348153 | 3 | 354818S | C105-238PLA | C1-271P | Note 6 |
| 1 PHASE 60 HZ PUMPS - 115/230 V 1-Speed | | | | | |
| P6E6C-204L | 1/2 | AE100CHL | C105-238PX | C1-271P1 | Note 5 |
| P6E6D-205L | 3/4 | AE100DHL | C105-238P | C1-271P1 | Note 5 |
| P6R6D-205L | 3/4 | 355021S | C105-238P | C1-271P1 | Note 6 |
| P6E6E-206L | 1 | AE100EHL | C105-238PB | C1-271P1 | Note 5 |
| P6EA6E-205L | 1 | AE100ELL | C105-238P | C1-271P1 | Note 5 |
| P6RA6E-205L | 1 | 355021S | C105-238P | C1-271P1 | Note 6 |
| P6R6E-206L | 1 | 355023S | C105-238PB | C1-271P1 | Note 6 |
| P6EA6F-206L | 1-1/2 | AE100FLL | C105-238PB | C1-271P1 | Note 5 |
| P6RA6F-206L | 1-1/2 | 355023S | C105-238PB | C1-271P1 | Note 6 |
| P6R6F-207L | 1-1/2 | 355025S | C105-238PDBA | C1-271P | Note 6 |
| 1 PHASE 60 HZ PUMPS - 230V 1-Speed | | | | | |
| P6E6F-207L | 1-1/2 | AE100FHL | C105-238PDBA | C1-271P | Note 5 |
| P6EAA6F-216L | 1-3/4 | AE100F5LL | C105238PDCA | C1-271P | Note 5 |
| P6RAA6F-216L | 1-3/4 | A100F5LL | C105-238PDCA | C1-271P | Note 5 |
| P6E6G-208L | 2 | AE100GHL | C105-238PEBA | C1-271P | Note 5 |
| P6EA6G-207L | 2 | 355025S | C105-238PDBA | C1-271P | Note 5 |
| P6RA6G-207L | 2 | AE100GHL | C105-238PDBA | C1-271P | Note 6 |
| P6R6G-208L | 2 | 355027S | C105-238PEBA | C1-271P | Note 6 |
| P6EAA6G-208L | 2-1/2 | AE100G5LL | C105-238PEBA | C1-271P | Note 5 |
| P6E6H-209L | 3 | AE100HLL | C105-238PLA | C1-271P | Note 6 |
| P6R6H-209L | 3 | 355034S | C105-238PLA | C1-271P | Note 6 |

Note: Pumps and replacement motors that are single speed and one (1) Total HP or greater cannot be sold, offered for sale, or installed in a residential pool for filtration use in California, Title 20 CCR sections 1601-1609.

MAX-E-PRO® SERIES PUMP (CONT'D)

REPLACEMENT PARTS



| Model No. | HP | Motor No. (Item No. 1) | Impeller (Item No. 10) | Diffuser (Item No. 11) | Motor Base/Pad |
|--|------------------------------------|------------------------|--|------------------------|----------------|
| 1 PHASE 60 HZ PUMPS - 2-Speed | | | | | |
| P6RA6YF-206L | 1-1/2 (Hi Speed), 1/4 (Low Speed) | A100FLL-Y | C105-238PBA ³ | C1-271P1 | Note 5 |
| P6RA6YG-207L | 2 (Hi Speed), 1/3 (Low Speed) | AE100GLL-Y | 17307-0116 ⁵ , C105-238PDBA | C1-271P | Note 5 |
| 3 PHASE 60 HZ PUMPS - 208-230/460 - TEFC | | | | | |
| 345076 | 1 | 354806S | C105-238PBA ⁴ | C1-271P1 | Note 6 |
| 345077 | 1-1/2 | 354808S | C105-238PDBA ⁴ | C1-271P | Note 6 |
| 345078 | 2 | 354810S | C105-238PEBA ⁴ | C1-271P | Note 6 |
| 345079 | 3 | 354812S | C105-238PLA ⁴ | C1-271P | Note 6 |
| 3 PHASE 60 HZ PUMPS - 200/400v 1 Speed | | | | | |
| P6R62D3-186 | 3/4 | AP100DH2 | C105-238A ⁴ | C1-271P1 | Note 5 |
| P6R62E3-187 | 1 | AP100EH2 | C105-238PBA ³ | C1-271P1 | Note 5 |
| P6R62F3-188 | 1-1/2 | AP100FH2 | C105-238PDBA ⁴ | C1-271P | Note 5 |
| P6R62G3-189 | 2 | AP100GH2 | C105-238PEBA ⁴ | C1-271P | Note 5 |
| 3-Phase Models: - 575 Volts | | | | | |
| P6EA6D36-204 | 3/4 | 16502-0024S | C105-238PX ⁴ A | C1-271P1 | Note 6 |
| P6EA6E36-205 | 1 | 16503-0024S | C105-238P ⁴ A | C1-271P1 | Note 6 |
| P6EA6F36-206 | 1-1/2 | 62001-1019S | C105-238PBA ⁴ | C1-271P1 | Note 5 |
| P6EA6G36-207 | 2 | 62003-2087 | C105-238PDBA ⁴ | C1-271P | Note 5 |
| P6E6H36-209 | 3 | 62001-1021S | C105-238PLA ⁴ | C1-271P1 | Note 6 |

| Item | Part No. | Description |
|---|-------------|---------------------------------------|
| MAX-E-PRO SERIES REPLACEMENT PARTS | | |
| 1 | Chart | Motor |
| 2 | U30-692SS | #10-32 x 1/2 in. Screw |
| 2A | U43-22SS | Lock Washer |
| 3 | U17-568 | Bonding Lug |
| 4 | 17351-0009 | Water Slinger |
| 5 | C203-194P | Seal Plate Kit (Incl. Part Nos. 6, 7) |
| 6 | U9-228AZ | O-Ring (Round) |
| 6 | 357099Z | O-Ring (Square) |
| 7 | 17351-0101S | Shaft Seal, EDPM black |
| 8 | WC36-22 | Clamp Knob |
| 9 | C19-37A | Clamp |
| 10 | Chart | Impeller |
| 10A | 35505-1426 | Impeller Screw O-Ring |
| 10B | Chart | Impeller Screw |
| 11 | Chart | Diffuser |
| 12 | U9-374Z | Diffuser O-Ring |
| 12 | 357098Z | Diffuser O-Ring (Blue Coating) |
| 13 | U43-21SS | #8 Lock Washer |
| 14 | U30-542SS | Screw (w/ C1-271P1 Diffuser) |
| 15 | 17307-0110S | Tank Body Assembly ² |
| 16 | 17307-0111S | Trap Cover Assembly ¹ |
| 17 | 35505-1440 | Trap O-Ring |

| Item | Part No. | Description |
|------|------------|---|
| 18 | C8-58PZ | Basket |
| 19 | U178-920PZ | 1/4 in. NPT Drain Plug |
| 19 | U9-359 | Drain Plug O-Ring |
| 20 | U43-41SSZ | Base Washer |
| 21 | U30-918SS | Base Screw |
| 22 | C4-78P | Base |
| 22 | C104-79P | Base w/ Motor Pad |
| 23 | C35-43 | Motor Pad |
| 23 | C35-44 | Motor Pad |
| 24 | U30-74SS | 3/8-16 x 1 in. Hex Hd. Screw |
| | 357924Z | Fan Guard Kit TEFC/Super-Duty |
| | 356196 | Max-E-Pro/IntelliPro Quick Kit (includes 6, 7, 10A, 12, 20(x2), 17) |

- ¹ Includes Trap Cover, Trap Ring and Trap Cover O-Ring
- ² Includes Trap Body, Basket, Drain Plugs, and Trap Cover Assembly
- ³ Uses Key No. 10B Impeller Screw No. 37337-6080
- ⁴ Uses Key No. 10B Impeller Screw No. 37337-6081
- ⁵ Uses base C4-78P and motor pad C35-43
- ⁶ Uses base C104-79P and includes motor pad C35-44

Note: Pumps and replacement motors that are single speed and one (1) total HP or greater cannot be sold, offered for sale, or installed in a residential pool for filtration use in California, Title 20 CCR sections 1601-1609.

MAX-E-PRO® SERIES DOE PUMP REPLACEMENT PARTS

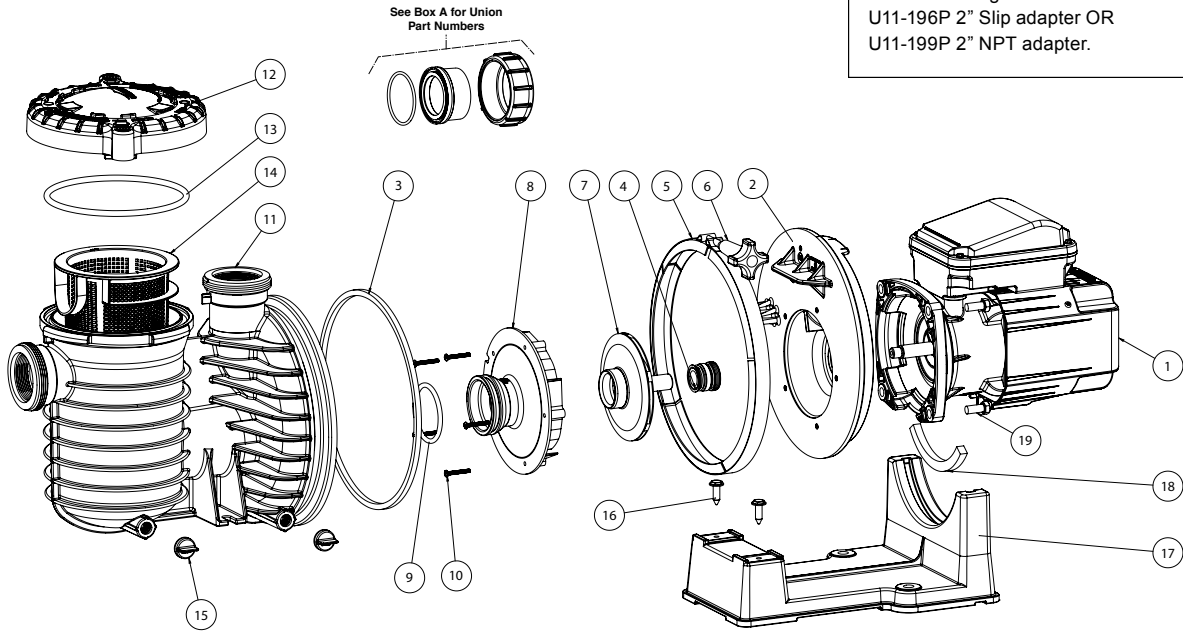


Box A

For quick disconnect pipe connections, purchase separately:
Pkg. 188 2" Slip 1/2 Union Kit or
Pkg. 189 2" NPT 1/2 Union Kit.

Kit Includes:

- U11-200P Union Collar
- U9-362 O-Ring
- U11-196P 2" Slip adapter OR
- U11-199P 2" NPT adapter.

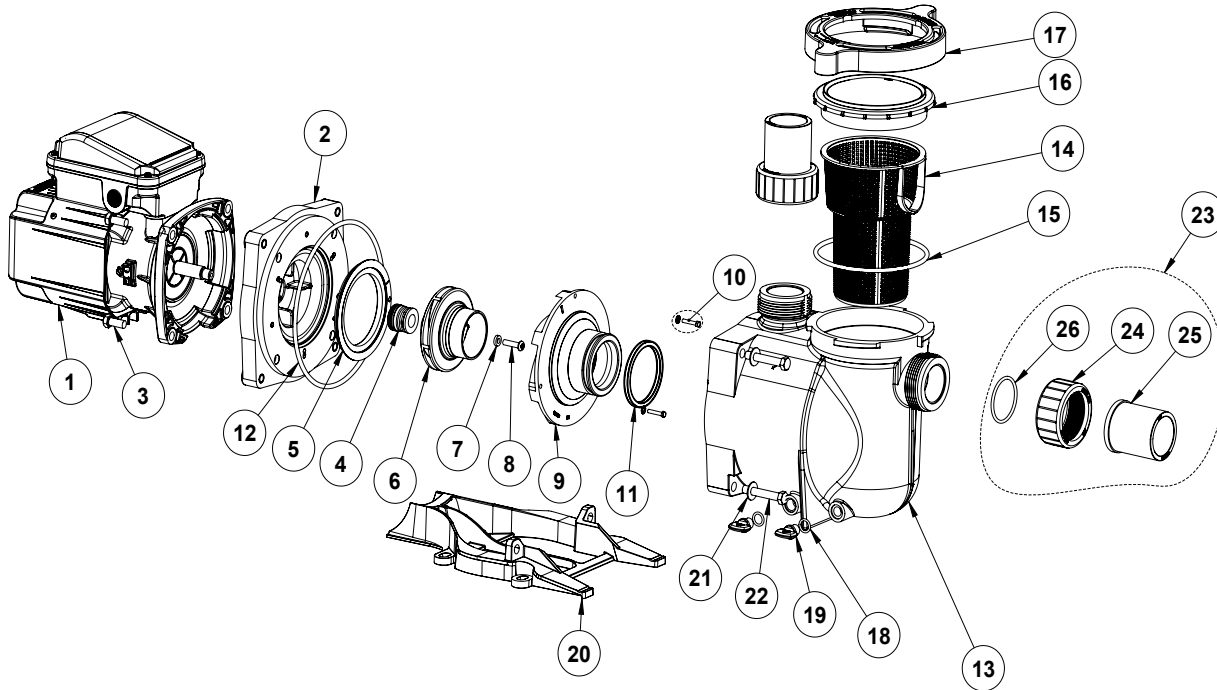


| Item | Part No. | Description |
|---|---------------|----------------------------------|
| MAX-E-PRO SERIES DOE REPLACEMENT PARTS | | |
| 1 | 356362S | Motor |
| 2 | C203-194P | Seal Plate Kit (Incl. Item# 3-4) |
| 3 | 357099 | Gasket, Seal Plate to Housing |
| 4 | 17351-0101S | Shaft Seal |
| 5 | C19-37A | Band Clamp |
| 6 | WC36-22 | Band Clamp Knob |
| 7 | C105-238PDOEZ | Impeller |
| 8 | 356359Z | Diffuser |
| 9 | 357098Z | Diffuser O-Ring (Blue Coating) |
| 10 | 357841Z | Diffuser Screw Kit |

| Item | Part No. | Description |
|------|-------------|---|
| 11 | 17307-0110S | Trap Body Assembly (Incl. Item# 12-15) |
| 12 | 17307-0111S | Trap Cover Assembly (Incl. Item# 12-13) |
| 13 | 35505-1440 | Trap O-Ring |
| 14 | C8-58P | Basket |
| 15 | U178-920P | Drain Plug, 1/4" NPT (Qty. 2) |
| 16 | U30-918SS | Base Screw (Qty. 2) |
| 17 | C4-79P | Base |
| 18 | C35-43 | Motor Pad |
| 19 | U30-74SS | Screw, 3/8-16 x 1" Hex Head (Qty. 4) |
| — | 357810 | Fan Guard Kit |

SUPERMAX® DOE PUMP

REPLACEMENT PARTS

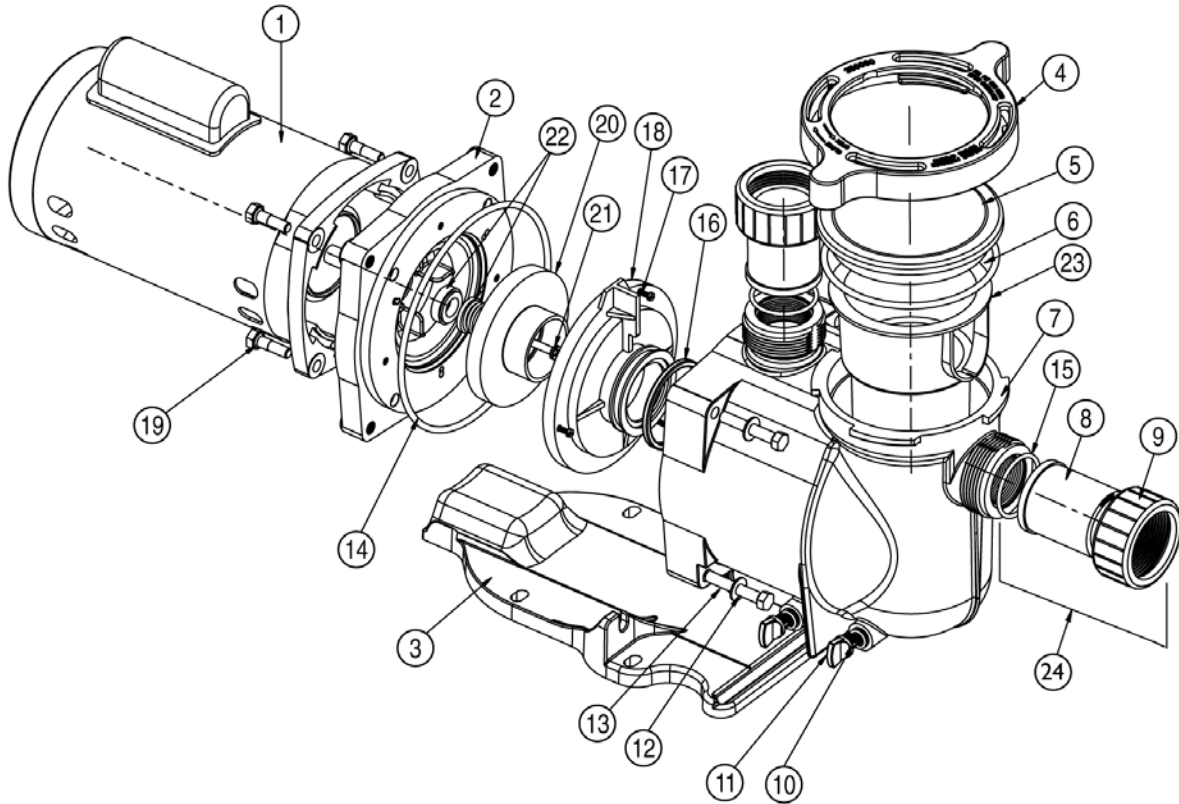


| Item | Part No. | Description |
|---------------------------|----------|---------------------------------------|
| SUPERMAX DOE PUMPS | | |
| 1 | 356362S | Motor |
| 2 | 355612 | Seal Plate |
| 3 | 070249 | Bolt, Motor (Qty. 4) |
| 4 | 354545SS | Shaft Seal Set |
| 5 | 356357Z | Hydraulic Isolator |
| 6 | 356356Z | Impeller |
| 7 | 075713 | Washer, Impeller Screw |
| 8 | 071652Z | Screw, Impeller |
| 9 | 356358Z | Diffuser |
| 10 | 356213Z | Screw, Diffuser #8-32 X 7/8" (Qty. 3) |
| 11 | 355030 | Diffuser Seal |
| 12 | 355619 | O-Ring, Seal Plate |
| 13 | 351089 | Strainer Pot |

| Item | Part No. | Description |
|------|----------|----------------------------------|
| 14 | 355667 | Strainer Basket |
| 15 | 357255 | O-Ring, Lid |
| 16 | 350091 | Lid |
| 17 | 351090 | Locking Ring |
| 18 | 192115Z | O-Ring, Drain Plug, (Qty. 2) |
| 19 | 357161Z | Drain Plug (Qty. 2) |
| 20 | 351094 | Base |
| 21 | 072184 | Washer, Strainer Pot, (Qty. 4) |
| 22 | 355621 | Bolt, Strainer Pot (Qty. 4) |
| 23 | 351157 | Union Kit (Includes Items 24-26) |
| 24 | 270141 | Union Nut (Qty. 2) |
| 25 | 350093 | Union Adapter (Qty. 2) |
| 26 | 6020018 | Union O-Ring (Qty. 2) |
| — | 357810 | Motor Fan Guard |

SUPERMAX® PUMP

REPLACEMENT PARTS



Note: Pumps and replacement motors that are single speed and one (1) total HP or greater cannot be sold, offered for sale, or installed in a residential pool for filtration use in California, Title 20 CCR sections 1601-1609.

CALIFORNIA PROPOSITION 65 WARNING
 ⚠️ **WARNING:** Cancer and Reproductive Harm.
 ⚠️ **AVERTISSEMENT:** Peut Causer le Cancer et des Dommages au Système Reproducteur.
 ⚠️ **ADVERTENCIA:** Cáncer y Daño Reproductivo.
www.p65warnings.ca.gov P650174A

SUPERMAX® PUMP (CONT'D)

REPLACEMENT PARTS

| Item | Part No. | Description |
|-------------------------------------|----------|--|
| SINGLE SPEED SUPERMAX MOTORS | | |
| 1 | 354804S | 3/4HP, 1SP, 1PH, TEFC, 115/208-230 |
| 1 | 354822S | 1HP, 1SP, 1PH, TEFC, 115/208-230 |
| 1 | 354824S | 1-1/2HP, 1SP, 1PH, TEFC, 208-230 |
| 1 | 354816S | 2HP, 1SP, 1PH, TEFC, 208-230 |
| 1 | 355019S | 1/2 HP Motor, SQFL, 1 sp, 1 ph, 60 hz, 115/208-230, Black |
| 1 | 355019S | 3/4 HP Motor, SQFL, 1 sp, 1 ph, 60 hz, 115/208-230, Black |
| 1 | 355021S | 1 HP Motor, SQFL, 1 sp, 1 ph, 60 hz, 2115/208-230, Black |
| 1 | 355023S | 1-1/2 HP Motor, SQFL, 1 sp, 1 ph, 60 hz, 115/208-230, black |
| 1 | 355025S | 2 HP Motor, SQFL, 1 sp, 1 ph, 60 hz, 115/208-230, Black |
| 1 | 355027S | 2-1/2 HP Motor, SQFL, 1 sp, 1 ph, 60 hz, 208-230, Black |
| 2 SPEED SUPERMAX MOTORS | | |
| 1 | 355232S | 1 HP Motor, SQFL, 2 sp, 1 ph, 60 hz, 230V, Black |
| 1 | 355376S | 1-1/2 HP Motor, SQFL, 2 sp, 1 ph, 60 hz, 230V, Black |
| 1 | 355377S | 2 HP Motor, SQFL, 2 sp, 1 ph, 60 hz, 230V, Black |
| EFFICIENT SUPERMAX MOTORS | | |
| 1 | 355009S | 1/2 HP Motor SQFL, 1 Speed, 1 phase, 60 Hz, 115/208-230, black |
| 1 | 355009S | 3/4 HP Motor SQFL, 1 Speed, 1 phase, 60 Hz, 115/208-230, black |
| 1 | 355009S | 1 HP Motor SQFL, 1 Speed, 1 phase, 60 Hz, 115/208-230, black |
| 1 | 355011S | 1.5 HP Motor SQFL, 1 Speed, 1 phase, 60 Hz, 115/208-230, black |
| 1 | 355013S | 2 HP Motor SQFL, 1 Speed, 1 phase, 60 Hz, 208-230, black |
| 1 | 355015S | 2.5 HP Motor SQFL, 1 Speed, 1 phase, 60 Hz, 208-230, black |
| SUPERMAX PUMPS | | |
| 2 | 355612 | Seal Plate, Black |
| 3 | 351094 | Base, Black |
| 4 | 351090 | Clamp, Ramp & Cam, Black |
| 5 | 350091 | Lid |
| 6 | 357255Z | O-ring, Lid #2-357 |
| 7 | 351089 | Volute, Black |
| 8 | 350093 | Adapter, 2 req. |
| 9 | 270141 | Nut, 2 req. |

| Item | Part No. | Description |
|---------------------------|----------|---|
| 10 | 192115Z | O-Ring Drain Plug, 2 req. |
| 11 | 357161Z | Drain Plug, 2 req. |
| 12 | 355621 | ScREW 3/4-16 x 2-1/4 HEX HD, 4 req. |
| 13 | 072184 | Washer 3/8 in. S/S, 4 req. |
| 14 | 355619Z | O-Ring Seal Bracket |
| 15 | 6020018 | O-Ring Adapter #2-226, 2 req. |
| 16 | 355030Z | Seal Diffuser |
| 17 | 355334Z | Screw #8-32 HEX Washer HD, 3 req. |
| 22 | 354545S | Seal Set |
| | 356210S | Seal, mechanical, ozone/salt resistant |
| 23 | 355667 | Basket, Large |
| 24 | 351157 | SuperMax Union Kit (includes 2 of Items 8, 9, & 15) |
| SUPERMAX DIFFUSERS | | |
| 18 | 355617 | Diffuser, 1/2 HP |
| 18 | 355617 | Diffuser, 3/4 HP |
| 18 | 355617 | Diffuser, 1 HP |
| 18 | 355618 | Diffuser, 1-1/2 HP |
| 18 | 355618 | Diffuser, 2 HP |
| 18 | 350170 | Diffuser, 2-1/2 HP |
| 19 | 070429Z | Bolt, 3/8-16 X 7/8 SS Hex Head 18-8, 4 req. |
| SUPERMAX IMPELLERS | | |
| 20 | 355043 | Impeller 1/2 HP |
| 20 | 355043 | Impeller 3/4 HP |
| 20 | 355067 | Impeller 1 HP |
| 20 | 355074 | Impeller 1-1/2 HP |
| 20 | 355086 | Impeller 2 HP |
| 20 | 355093 | Impeller 2-1/2 HP |
| 20 | 355067 | Impeller 1 HP, 2-SPD |
| 20 | 355074 | Impeller 1-1/2 HP, 2-SPD |
| 20 | 355086 | Impeller 2 HP, 2-SPD |
| 21 | 355389 | Screw, Impeller Locking |
| NOT SHOWN | | |
| | 79129900 | 2-Speed Toggle Switch |
| | 401014Z | Motor End Cap and Screw |
| | 357924Z | Fan Guard Kit TEFC/Super-Duty |

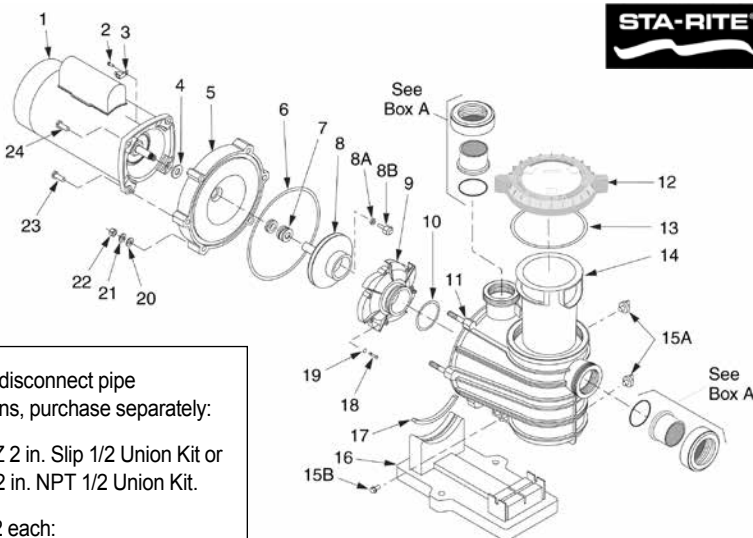
CALIFORNIA PROPOSITION 65 WARNING
 ⚠️ WARNING: Cancer and Reproductive Harm.
 ⚠️ AVERTISSEMENT: Peut Causer le Cancer et des Dommages au Système Reproducteur.
 ⚠️ ADVERTENCIA: Cáncer y Daño Reproductivo.
www.p65warnings.ca.gov PH20211A

DYNA-PRO® / DYNA-PRO E PUMPS

1/2 THROUGH 2-1/2 HP MODELS, SINGLE SPEED AND TWO SPEED REPLACEMENT PARTS

Motor Chart

| Model No. | HP | Motor No. (Key No. 1) |
|---------------------------|-------|-----------------------|
| Single Speed 115/230/60/1 | | |
| MPRA6D-204L | 3/4 | A100DLL |
| MPRA6E-205L | 1 | A100ELL |
| MPRA6F-206L | 1-1/2 | A100FLL |
| MPEA6D-204L | 3/4 | AE100DLL |
| MPEA6E-205L | 1 | AE100ELL |
| MPEA6F-206L | 1-1/2 | AE100FLL |
| MPE6C-204L | 1/2 | AE100CHL |
| MPE6D-205L | 3/4 | AE100DHL |
| MPE6E-206L | 1 | AE100EHL |
| 230/60/1 | | |
| MPRA6G-207L | 2 | A100GLL |
| MPEA6G-207L | 2 | AE100GLL |
| MPEAA6G-208L | 2-1/2 | AE100G5LL |
| MPE6F-207L | 1-1/2 | AE100FHL |
| MPE6G-208L | 2 | AE100GHL |
| Two Speed 230/60/1 | | |
| MPRA6YF-206L | 1-1/2 | A100FLL-Y |
| MPEA6YG-207L | 2 | AE100GLL-Y |
| MPEAA6YG-208L | 2-1/2 | AE100G5LL-Y |
| MPE6YF-207L | 1-1/2 | AE100GLL-Y |
| MPE6YG-208L | 2 | AE100G5LL-Y |



Box A

For quick disconnect pipe connections, purchase separately:
 PKG 188Z 2 in. Slip 1/2 Union Kit or Pkg. 189 2 in. NPT 1/2 Union Kit.

Includes 2 each:
 U11-200P Union Collar
 U9-362 O-Ring
 U11-196P 2 in. Slip adapter or U11-199P 2 in. NPT adapter.

CALIFORNIA PROPOSITION 65 WARNING
 ⚠️ **WARNING:** Cancer and Reproductive Harm.
 ⚠️ **AVERTISSEMENT:** Peut Causer le Cancer et des Dommages au Système Reproducteur.
 ⚠️ **ADVERTENCIA:** Cáncer y Daño Reproductivo.
www.p65warnings.ca.gov P8/2017A

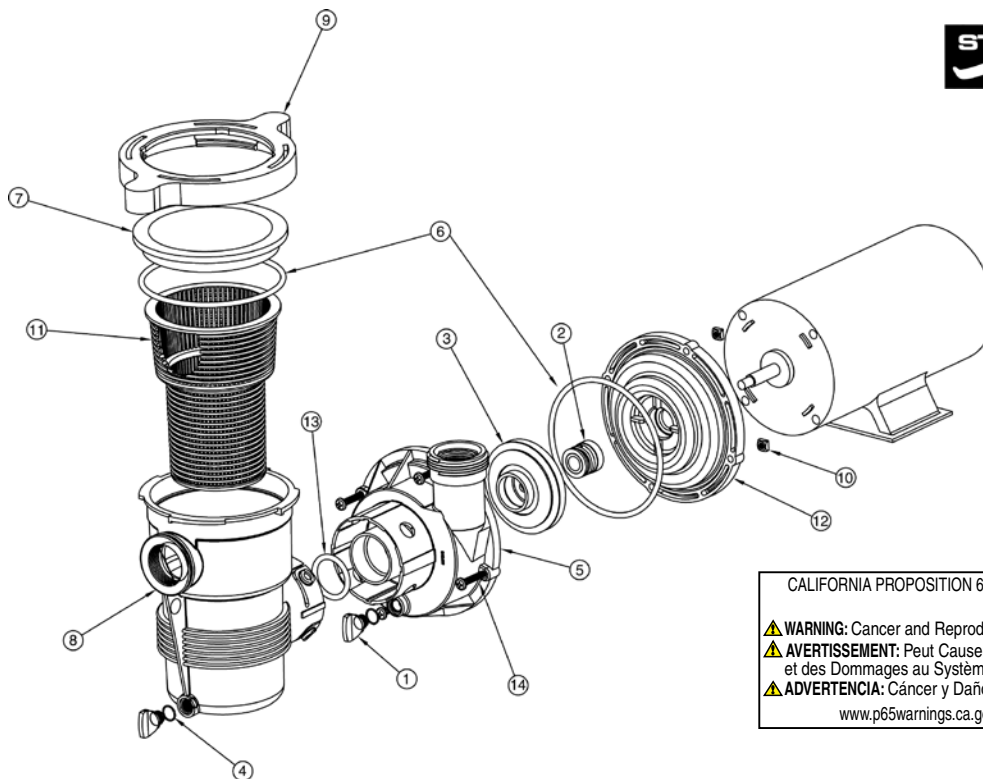
| Item | Part No. | Description |
|-----------------------------------|-------------|--|
| DYNA-PRO REPLACEMENT PARTS | | |
| 2 | U30-692SS | Screw #10-32 x 1/2 in. |
| 3 | U17-568 | Bonding Lug |
| 4 | 17351-0009 | Slinger |
| 5 | C3-184P | Seal Plate |
| 6 | U9-373Z | Seal Plate Cord Ring |
| 7 | 17351-0101S | Shaft Seal |
| 8 | C105-236P | Impeller, 1/2 HP - Models MPEA6D-204L, MPE6C-204L, MPRA6D-204L |
| 8 | C105-236PB | Impeller, 1 HP - Models MPEA6E-205L, MPE6D-205L, MPRA6E-205L, MPRA6E-147L, MPRA6E-147LC |
| 8 | C105-236PC | Impeller, 1-1/2 HP - Models MPEA6F-206L, MPE6E-206L, MPRA6F-206L, MPRA6YF-206L, |
| 8 | C105-236PDA | Impeller, 2 HP - Models MPEA6G-207L, MPE6F-207L, MPEA6YG-207L, MPE6YF-207L, MPRA6G-207 |
| 8 | C105-236PEA | Impeller, 2-1/2 HP - Models MPEAA6G-208L, MPA6G-208L, MPEAA6YG-208L, MPE6G-208L |
| 8A | 33455-1047 | Gasket, Models MPEA6G-207L, MPE6F-207L, MPEA6YG-207L, MPE6YF-207L, MPRA6G-207 |
| 8A | 33455-1047 | Gasket, Models MPEAA6G-208L, MPA6G-208L, MPEAA6YG-208L, MPE6G-208L |
| 8B | 37337-6080 | Impeller Lock Screw, Models MPEA6G-207L, MPE6F-207L, MPEA6YG-207L, MPE6YF-207L, MPRA6G-207 |
| 8B | 37337-6080 | Impeller, Models MPEAA6G-208L, MPA6G-208L, MPEAA6YG-208L, MPE6G-208L |

| Item | Part No. | Description |
|------|-------------|--|
| 9 | C1-270PB | Diffuser - 1/2 HP |
| 9 | C1-270PC | Diffuser - 1 HP |
| 9 | C1-270P | Diffuser - 1-1/2 HP |
| 9 | C1-270P | Diffuser - 2 HP |
| 9 | C1-270P | Diffuser - 2-1/2 HP |
| 10 | U9-374Z | Diffuser O-Ring |
| 10 | 357098Z | Diffuser O-Ring (Blue Coating) |
| 11 | C76-71P | Tank and Trap Body (Only) |
| 12 | 17307-0111S | Lid and Locking Ring Assembly |
| 13 | 35505-1440 | Trap Cover O-Ring |
| 14 | C8-58PZ | Trap Basket |
| 15A | U178-920PZ | Drain Plug |
| 15B | U30-919SS | Mounting Screw 5/16-14 x 5/8 in. |
| 16 | C4-77P | Base - Plastic |
| 17 | C35-45 | Motor Pad - for Plastic Base |
| 18 | U30-542SS | Screw #8-32 x 7/8 in. Rd. Hd. |
| 19 | U43-21SS | Lock Washer #8 Ext. Tooth. |
| 20 | U43-62SS | Flat Washer 3/8 in. |
| 21 | U43-12SS | Lock Washer 3/8 in. |
| 22 | 071403 | Nut 3/8-16 Hex |
| 23 | U30-75SS | Cap Screws 3/8-16 x 1-1/4 in. Hex. (LS Suffix) |
| 24 | U30-74SS | Cap Screws 3/8-16 x 1 in. Hex. |

Note: Pumps and replacement motors that are single speed and one (1) Total HP or greater cannot be sold, offered for sale, or installed in a residential pool for filtration use in California, Title 20 CCR sections 1601-1609.

OPTIFLO® PUMP

PENTAIR AND STA-RITE REPLACEMENT PARTS



CALIFORNIA PROPOSITION 65 WARNING
 ⚠️ **WARNING:** Cancer and Reproductive Harm.
 ⚠️ **AVERTISSEMENT:** Peut Causer le Cancer et des Dommages au Système Reproducteur.
 ⚠️ **ADVERTENCIA:** Cáncer y Daño Reproductivo.
www.p65warnings.ca.gov PH200714

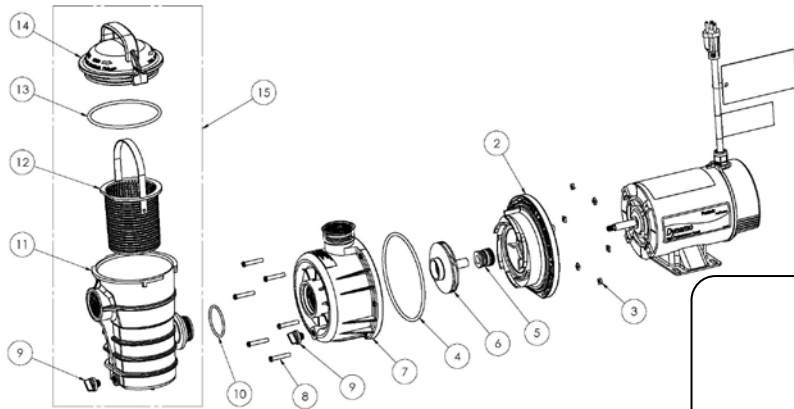
| Item | Part No. | Description |
|----------------------|----------|------------------------------|
| OPTIFLO PUMPS | | |
| 1 | 357161Z | Drain plug |
| 2 | 354545S | Mechanical seal |
| 3 | 350017 | Impeller, 1 HP |
| 3 | 354552 | Impeller, 3/4 HP |
| 3 | 350018 | Impeller, 1-1/2 HP |
| 4 | 192115Z | O-ring |
| 5 | 357213 | Volute ¹ |
| 6 | 357255Z | O-ring 2-357 |
| 7 | 357227 | Lid |
| 8 | 357228 | Pot ¹ |
| 9 | 357239 | Clamp ring |
| 10 | 357254 | 1/4-20 Square nut |
| 11 | 355667 | Basket |
| 12 | 357215 | Seal plate |
| 13 | 350103 | O-ring 2-130 |
| 14 | 98209000 | 1/4-20 x 1-1/2 Machine screw |
| NOT SHOWN | | |
| | 79137800 | 3 ft. cord - standard |
| | 155234 | 3 ft. cord - TW |

¹ Includes drain plugs.

Note: Pumps and replacement motors that are single speed and one (1) Total HP or greater cannot be sold, offered for sale, or installed in a residential pool for filtration use in California, Title 20 CCR sections 1601-1609.

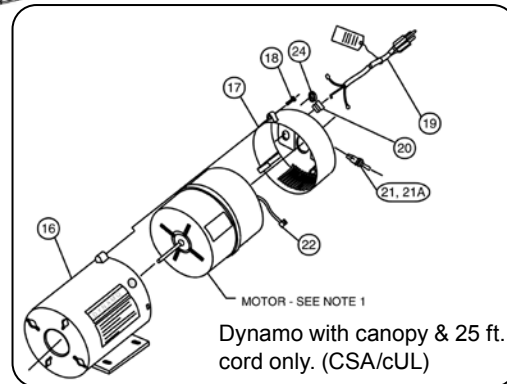
DYNAMO® PUMP

PENTAIR AND STA-RITE REPLACEMENT PARTS



CALIFORNIA PROPOSITION 65 WARNING

⚠ **WARNING:** Cancer and Reproductive Harm.
 ⚠ **AVERTISSEMENT:** Peut Causer le Cancer et des Dommages au Système Reproducteur.
 ⚠ **ADVERTENCIA:** Cáncer y Daño Reproductivo.
www.p65warnings.ca.gov



| Item | Part No. | Description |
|--------------------------------|------------|--|
| DYNAMO PUMPS MOTORS | | |
| 2 | 354632 | Diffuser, 3/4 HP bracket |
| 2 | 354633 | Diffuser, 1, 1-1/2 HP bracket |
| 3 | 354542 | Nut, 10-24 SS, 6 req. |
| 4 | 354634 | O-ring, 3/16 in. bracket diffuser |
| 5 | 354545S | Seal, 5/8 in. mechanical |
| 6 | 353002 | Impeller, 1/2 HP |
| 6 | 354552 | Impeller, 3/4 HP |
| 6 | 355122 | Impeller, 1 HP |
| 7 | 354630 | Housing, body |
| 8 | 354541 | Screw, 10-24-1-1/2 in. slotted hex, 6 req. |
| 9 | U178-920PZ | Drain plug assy. - 2 req. |
| 10 | 273062 | O-ring |
| 11 | 354530 | Pot |
| 12 | 354548 | Basket w/ handle |
| 13 | 354533 | O-ring, lid |
| 14 | 354531 | Lid, universal |
| 14 | 354113 | Chemical Resistant Lid |
| 15 | 354103 | Pot assembly |

| Item | Part No. | Description |
|--|----------|---|
| DYNAMO WITH CANOPY AND 25 FT. CORD ONLY (CSA/cUL) | | |
| 16 | 354621 | Body, motor enclosure |
| 17 | 354881 | Cap, motor enclosure (on/off) |
| 17 | 354882 | Cap, motor enclosure (two-speed) |
| 18 | 154716 | Screw, No.10 self tapping |
| 19 | 155371 | Cord, 25 ft. |
| 20 | 41412700 | Bushing connector |
| 21 | 155187 | Switch, on/off toggle (CSA) |
| 21A | 356546 | Switch, three position toggle (Hi/Low/Off) |
| 22 | 155193 | Wire, 6 in. jumper |
| 24 | 350024 | Locknut, steel 1-1/2 in. |
| NOT SHOWN | | |
| | 352256 | Nut, 1-1/2 in. quick connect, 2 req. |
| | 354571 | O-ring, 2 req. |
| | 79137800 | 3 ft. cord standard assembly |
| | 352245 | Strain relief bushing for cords |
| | 350444 | Canopy switch assembly, on/off ¹ |
| | 350481 | Canopy with on-off switch ² |
| | 155380Z | Base CSA 4 in. |
| | 155234 | 3 ft. cord TW |
| | 79137800 | 3 ft. cord-standard |

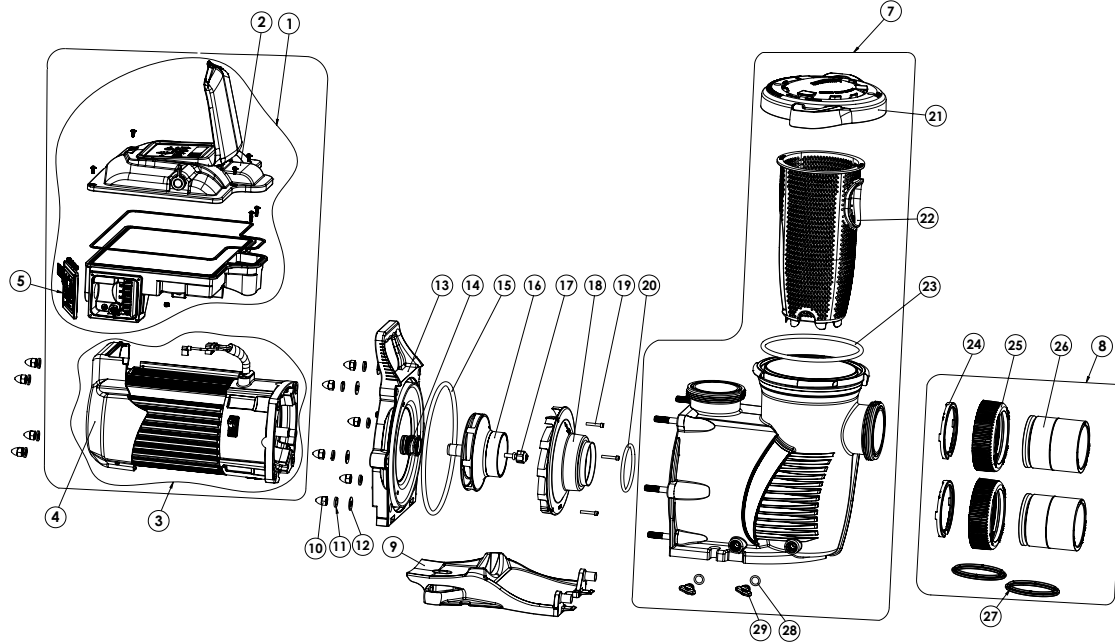
¹ Pumps manufactured before 4/13.

² Pumps manufactured after 4/13.

Note: Pumps and replacement motors that are single speed and one (1) Total HP or greater cannot be sold, offered for sale, or installed in a residential pool for filtration use in California, Title 20 CCR sections 1601-1609.

WHISPERFLOXF® VS PUMP / MAX-E-PROXF® VS PUMP

REPLACEMENT PARTS



| Item | Part No. | Description |
|--|-------------|---|
| WHISPERFLOXF VS PUMP /MAX-E-PROXF VS PUMP | | |
| 1 | 358085 | WhisperFloXF VS Drive Kit (includes drive, top cover, keypad cover and field wiring cover/screws) |
| 1 | 358086 | Max-E-ProXF VS Drive Kit (includes drive, top cover, keypad cover and field wiring cover/screws) |
| 2 | 358093 | WhisperFloXF VS Top Cover Kit w/Screws |
| 2 | 358094 | Max-E-ProXF VS Top Cover Kit w/Screws |
| 3 | 358089 | WhisperFloXF VS Motor w/Fan Shroud |
| 3 | 358090 | Max-E-ProXF VS Motor w/Fan Shroud |
| 4 | 358095 | WhisperFloXF VS Fan Shroud w/Screws |
| 4 | 358096 | Max-E-ProXF VS Fan Shroud w/Screws |
| 5 | 358091 | WhisperFloXF VS Field Wiring Cover w/Screws |
| 5 | 358092 | Max-E-ProXF VS Field Wiring Cover w/Screws |
| 7 | 400000 | WhisperFloXF VS Wet End Assembly |
| 7 | 401000 | Max-E-ProXF VS Wet End Assembly |
| 8 | 410020 | Union Kit |
| 9 | 400004Z | WhisperFloXF VS Motor Base |
| 9 | 401004Z | Max-E-ProXF VS Motor Base |
| 10 | 071413 | Acorn Nut (Qty. 10) |
| 11 | U43-12SS | Lock Washer (Qty. 10) |
| 12 | 072184 | Flat Washer (Qty. 6) |
| 13 | 400002 | WhisperFloXF VS Seal Plate |
| 13 | 401002 | Max-E-ProXF VS Seal Plate |
| 14 | 17351-0101S | Mechanical Seal |
| 15 | 351446 | Seal Plate O-Ring |

| Item | Part No. | Description |
|------|------------|--|
| 16 | 400023Z | Impeller Assembly |
| 17 | 072172 | Impeller Screw Washer (Applicable after 10/7/2019 only) |
| 17 | 37337-6080 | Impeller Screw, Plastic-Head (pumps mfg. before 10/7/2019) |
| 17 | 356073 | Impeller Screw, Metal-Head (pumps mfg. after 10/7/2019) |
| 18 | 400011 | Diffuser |
| 19 | 353323 | Diffuser Screws |
| 20 | 350336 | Diffuser O-Ring |
| 21 | 400006 | WhisperFloXF VS Lid/Locking Ring Assembly |
| 21 | 401006 | Max-E-ProXF VS Lid/Locking Ring Assembly |
| 22 | 400007Z | Strainer Basket |
| 23 | 35505-1440 | Lid/Locking Ring O-Ring |
| 24 | 410001 | 2.5 in. C-Clip Locking Ring (Qty. 2) |
| 25 | 411000 | 2.5 in. Union Nut (Qty. 2) |
| 26 | 410002 | 2.5 in. Union Adapter w/o Tap (Qty. 2) |
| 27 | 410016Z | 2.5 in. Diamond Seal Kit (Qty. 2) |
| 28 | 192115Z | Drain Plug O-Ring (Qty. 2) |
| 29 | 071131Z | WhisperFloXF VS Drain Plug (2 req.) |
| 29 | 357161Z | Max-E-ProXF VS Drain Plug (Qty. 2) |

| NOT SHOWN | | |
|------------------|---------------|-------------------------------------|
| | 356324Z | External Control Wiring Kit |
| | 97014-4203KIT | 3-inch Flowmeter Kit |
| | 400030Z | Seal Plate Hardware and O-Ring Kit* |
| | 400012 | Riser Plate, XF to Challenger |

*NOTE: HARDWARE AND O-RING KIT INCLUDES ITEM NO. 9-11 AND 14.

Product on pages 210–213.

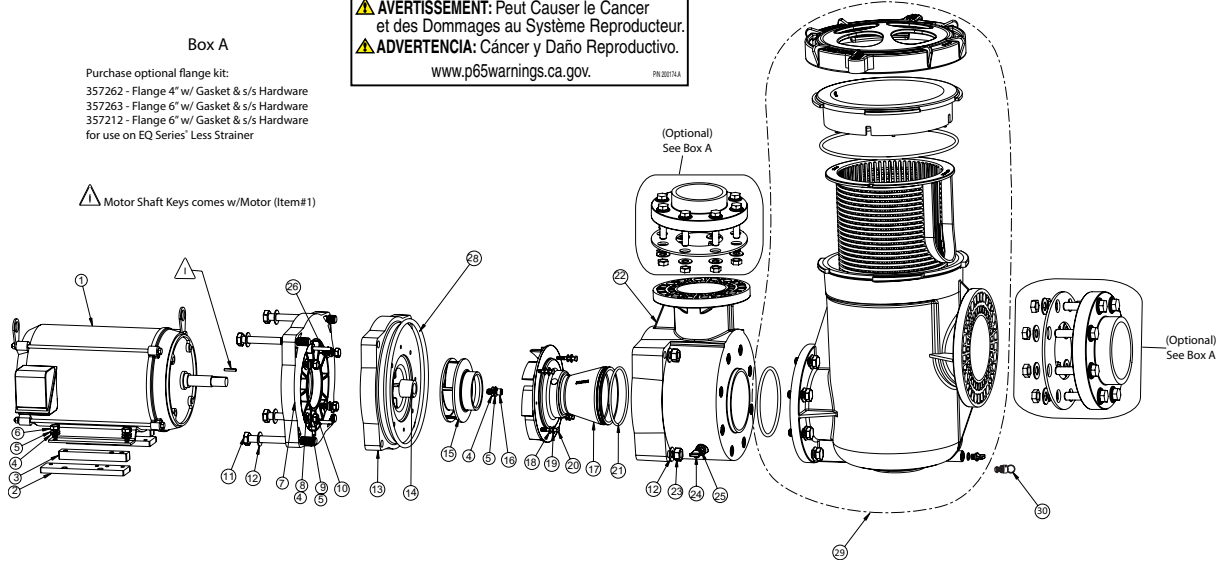
EQ SERIES® COMMERCIAL PLASTIC PUMP REPLACEMENT PARTS

CALIFORNIA PROPOSITION 65 WARNING
 ⚠️ **WARNING:** Cancer and Reproductive Harm.
 ⚠️ **AVERTISSEMENT:** Peut Causer le Cancer et des Dommages au Système Reproducteur.
 ⚠️ **ADVERTENCIA:** Cáncer y Daño Reproductivo.
www.p65warnings.ca.gov PH200714

Box A

Purchase optional flange kit:
 357262 - Flange 4" w/ Gasket & s/s Hardware
 357263 - Flange 6" w/ Gasket & s/s Hardware
 357212 - Flange 6" w/ Gasket & s/s Hardware
 for use on EQ Series' Less Strainer

⚠️ Motor Shaft Keys comes w/Motor (Item#1)



| Part No. | Model No. | HP | Phase | Motor Support (Item No. 2) | Additional Motor Support (Item No. 3) | Motor No. (Item No. 1) | Impeller (Item No. 15) | Diffuser (Item No. 17) |
|----------------|------------------------|-------|-------|----------------------------|---------------------------------------|------------------------|------------------------|------------------------|
| 340019, 340030 | EQ500 | 5 | 1 | 356713 | 356712 | 357065S | 350030 | 350032 |
| 340020, 340031 | EQK500 | 5 | 3 | 356713 | 356712 | 357068S | 350030 | 350032 |
| 340604, 340608 | EQKT500 | 5 | 3 | 356713 | 356712 | 350731Z | 350030 | 350032 |
| 340021, 340032 | EQ750 | 7-1/2 | 1 | 356713 | N/A | 357066S | 350029 | 350033 |
| 340022, 340033 | EQK750 | 7-1/2 | 3 | 356713 | 356712 | 357069S | 350029 | 350033 |
| 340605, 340609 | EQKT750 | 7-1/2 | 3 | 356713 | N/A | 350732Z | 350029 | 350033 |
| 340237, 340238 | EQ1000 | 10 | 1 | 356713 | N/A | 357063S | 350028 | 350033 |
| 340023, 340034 | EQK1000 | 10 | 3 | 356713 | N/A | 357070S | 350028 | 350033 |
| 340606, 340610 | EQKT1000 | 10 | 3 | 356713 | N/A | 350733Z | 350028 | 350033 |
| 340024, 340035 | EQK1500 | 15 | 3 | 356713 | N/A | 357071S | 350027 | 356735 |
| 340607, 340611 | EQKT1500 | 15 | 3 | 356713 | N/A | 350734Z | 350027 | 356735 |
| 340045, 340047 | EQK1000 EXPL PF, 50 Hz | 10 | 3 | 356713 | N/A | 350112S | 350027 | 356735 |
| 340046, 340048 | EQK750 EXPL PF, 50 Hz | 7-1/2 | 3 | 356713 | N/A | 350113S | 350028 | 350033 |
| 340049, 350083 | EQK1000, 50 Hz | 10 | 3 | 356713 | N/A | 350153S | 350027 | 356735 |
| 340080, 340084 | EQK750, 50 Hz | 7-1/2 | 3 | 356713 | N/A | 350154S | 350028 | 350033 |
| 340081, 340085 | EQK500, 50 Hz | 5 | 3 | 356713 | 356712 | 350155S | 350029 | 350033 |
| 340082, 340086 | EQK300, 50 Hz | 3 | 3 | 356713 | 356712 | 350156S | 350030 | 350032 |
| 340014, 340026 | EQW300 | 3 | 1 | 356713 | 356712 | 357064S | 350027 | 356735 |
| 340016, 340027 | EQWK300 | 3 | 3 | 356713 | 356712 | 357067S | 350027 | 356735 |
| 340018, 340029 | EQWK500 | 5 | 3 | 356713 | 356712 | 350158S | 350070 | 357273 |
| 340017, 340028 | EQW500 | 5 | 1 | 356713 | 356712 | 350159S | 350070 | 357273 |
| 340148, 340155 | EQK500 575V | 5 | 3 | 356713 | 356712 | 355038S | 350030 | 350032 |
| 340149, 340156 | EQK750 575V | 7-1/2 | 3 | 356713 | 356712 | 355039S | 350029 | 350033 |

Call for pricing on these items.

Product on pages 216–219.

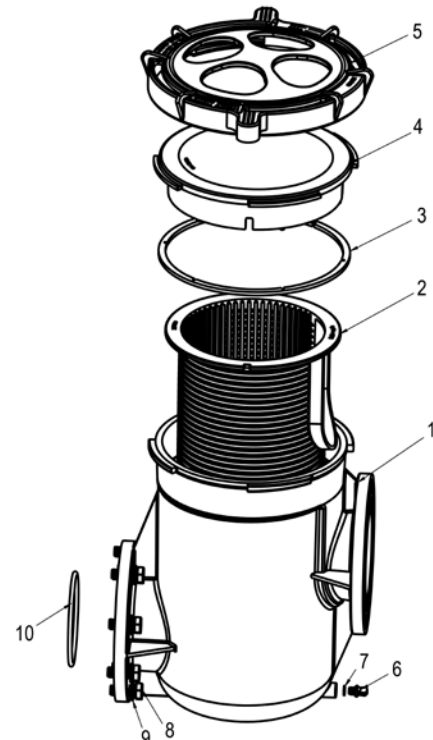
EQ SERIES® COMMERCIAL PLASTIC PUMP

REPLACEMENT PARTS

| Item | Part No. | Description |
|-----------------------|----------|--|
| EQ SERIES PUMP | | |
| 1 | | Motor - See Table on Prev Page |
| 2 | | Support - Motor - See Table on Prev Page |
| 3 | | Support Adapter - See Table on Prev Page |
| 4 | 072184 | Washer, Flat 3/8 in. ID x 7/8 in. OD .05 Thk 18-8 s/s - (qty.51 & qty.9) |
| 5 | 98220600 | Washer Split Lock 3/8 in. 18-8 s/s - (qty. 51 & qty. 9) |
| 6 | A135 | Screw 3/8 in.-16 x 3/4 in. Hx Hd Cap 18-8 s/s (EQ750...1PH, EQ1000, EQ1500) - (qty. 4) |
| 6 | 350073 | Screw 3/8 in.-16 x 1-1/2 Hx Hd Cap 18-8 s/s (EQ300, EQ500, EQ750...3PH) - (qty.4) |
| 7 | 356790 | Adapter - Motor - EQ Series |
| 8 | 075842 | Washer, Flat 1/2 in. ID x 1-1/4 in. OD .125 Thk 300 s/s - (qty. 4) |
| 9 | 350063 | Washer Split Lock 1/2 in. 18-8 s/s - (qty.4) |
| 10 | U30-74SS | Screw 3/8 in.-16 x 1 in. Hx Hd Cap 18-8 s/s (EQ300, EQ500, EQ750...3PH) - (qty. 4) |
| 10 | 071687 | BLT 1/2-13 x 1.25 STL HH SS (qty. 4) |
| 11 | 356710 | Screw 5/8 in.-11 x 6-1/2 in. Hx Hd Cap 18-8 s/s - (qty. 4) |
| 12 | 356789 | Washer, Flat 11/16 in. IDx1 - 5/16 in. OD .078 Thk 300 s/s (qty. 8) |
| 13 | 356795 | Seal Plate - EQ Series |
| 14 | 071725S | Seal Set |
| 15 | | Impeller - See Table on Prev Page |
| 16 | 071037 | Screw 3/8 in.-16 x 1 in. Sckt. Hd Cap 18-8 s/s |

| Item | Part No. | Description |
|------------------|----------|---|
| 17 | | Diffuser - See Table on Prev Page |
| 18 | 51008500 | Washer, Flat 1/4 in. 300 s/s - (qty. 4) |
| 19 | 072172 | Washer Split Lock 1/4 in. 18-8 s/s - (qty. 4) |
| 20 | 350035 | Screw 1/4 in.-20 x 1-1/2 in. Hx Hd Cap 18-8 s/s (EQ500, EQ750, EQ1000) - (qty. 4) |
| 20 | 356797 | Screw 1/4 in.-20 x 1-3/4 in. Hx Hd Cap 18-8 s/s (EQW300, EQ1500) - (qty. 4) |
| 21 | 350037 | O-ing Diffuser 3/16 in. x 4-7/8 in. |
| 22 | 356755 | Housing - EQ Series |
| 23 | 356776 | Nut 5/8 in.-11 Hx Brass - (qty. 5) |
| 24 | 357161Z | Drain Plug |
| 25 | 192115Z | O-ring Drain Plug |
| 26 | 350060 | Pin Dowel 5/16 in. x 1-3/4 in. 18-8 s/s - (qty. 2) |
| 28 | 356780 | O-ring Seal Plate 3/8 in. x 11 in. dia. |
| 29 | 340013 | Strainer Pot Assy Complete EQ 6 in. x 6 in. |
| 30 | 350087 | Pressure Relief Valve |
| NOT SHOWN | | |
| | 351137S | EQ Alignment Tool Seal Plate to Motor |
| | 354825 | Hardware Kit for 7.5 HP ODP to TEFC Motor Conversion |
| | 355930 | 5HP 3-phase TEFC power end |
| | 355931 | 7-1/2HP 3-phase TEFC power end |
| | 355932 | 10HP 3-phase TEFC power end |
| | 355933 | 15HP 3-phase TEFC power end |

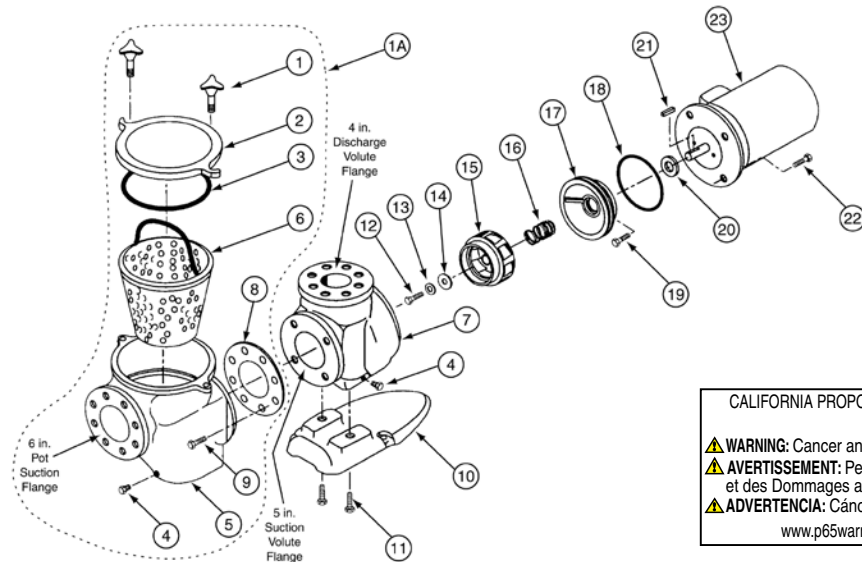
| Item | Part No. | Description |
|---|----------|---|
| EQ SERIES HAIR & LINT STRAINER | | |
| 1 | 356725 | Pot EQ strainer |
| 2 | 357184 | Basket EQ strainer |
| 3 | 350166 | Gasket, EQ lid |
| 4 | 356750 | Lid EQ clear |
| 5 | 350171 | Clamp Cam & Ramp™ EQ (No Lid) |
| 6 | 357161Z | Drain Plug |
| 7 | 192115Z | O-ring drain plug |
| 8 | 356788 | Screw, 5/8 in., 11 x 1-3/4 in. hx hd cap 18-8 SS (qty. 8) |
| 9 | 356789 | Washer, flat 11/16 in. ID x 1-5/16 in. OD 0.078 thk 300 SS (qty. 8) |
| 10 | 350013Z | O-ring pot flange |
| NOT SHOWN | | |
| | 350087 | Pressure relief valve, 1/4 in. NPT |



CALIFORNIA PROPOSITION 65 WARNING
 ⚠️ **WARNING:** Cancer and Reproductive Harm.
 ⚠️ **AVERTISSEMENT:** Peut Causer le Cancer et des Dommages au Système Reproducteur.
 ⚠️ **ADVERTENCIA:** Cáncer y Daño Reproductivo.
www.p65warnings.ca.gov PHS 2011-14

C SERIES® HIGH PERFORMANCE COMMERCIAL PUMP

REPLACEMENT PARTS



CALIFORNIA PROPOSITION 65 WARNING
 ⚠️ **WARNING:** Cancer and Reproductive Harm.
 ⚠️ **AVERTISSEMENT:** Peut Causer le Cancer et des Dommages au Système Reproducteur.
 ⚠️ **ADVERTENCIA:** Cáncer y Daño Reproductivo.
 www.p65warnings.ca.gov. P652017A

| Item | Part No. | Ref. No. | Description |
|-----------------------|----------|-------------|---|
| C SERIES PUMPS | | | |
| 1 | 075280 | 54475280618 | Hand nut assembly, bronze, 2 req. |
| 1A | 072747 | | C series pot assembly 1 |
| 2 | 075275 | 26075275219 | Cover, C16, bronze |
| 3 | 071433 | 3640525457 | O-ring, C-18 |
| 4 | 071551 | 6000002190 | Plug pipe, 1/4 in. bronze, 1 req. |
| 5 | 075271Z | 79675271199 | Pot mach. bronze |
| 6 | 072795 | 70472795100 | Basket, C-29 SS 11 in. |
| 7 | 075273Z | 18075273199 | Volute, C-2 bronze |
| 8 | 070943 | 36470943603 | Gasket flange, P-135, 5 in. |
| 9 | 071683 | 1680634104 | Screw, 3/4-10, 1-3/4, SS, 4 req. |
| 10 | 075287 | 82075287632 | Foot, C-4 coated |
| 11 | 071688 | 1680558359 | Screw, 5/8, 11 x 1 stl. hh., 2 req. |
| 12 | 071037 | 1680115104 | Impeller, C-35 lock screw |
| 13 | 071048 | 90871048212 | Impeller, washer, C-71 |
| 14 | 075713 | 3642034603 | Impeller, washer gasket |
| 15 | 073828 | 44473328208 | Impeller, CH-50/CHK-50/CHKL-50, 5HP, 1PH, 3PH, high hd. |
| 15 | 070228 | 44470228208 | Impeller, CM-50/CMK-50/CMKL-50, 5HP, 1PH, 3PH, med. hd. |
| 15 | 073829 | 44473829208 | Impeller, CH-75/CHK-75/CHKL-75, 7.5HP, 1PH, 3PH, high hd. |
| 15 | 070227 | 44470227208 | Impeller, CM-75/CMK-75/CMKL-75, 7.5HP, 1PH, 3PH, med. hd. |
| 15 | 073830 | 44473830208 | Impeller, CH-100/CHK-100/CHKL-100, 10HP, 1PH, 3PH, high hd. |

| Item | Part No. | Ref. No. | Description |
|------------------------|----------|--------------|--|
| 15 | 070226 | 44470226208 | Impeller, CM-100/CMK-100/CMKL-100, 10HP, 1PH, 3PH, med hd. |
| 15 | 073831 | 44473831208 | Impeller, CHK-150/CHKL-150, 15HP, 3PH, high hd. |
| 15 | 070225 | 44470225208 | Impeller, CMK-150/CMKL-150, 15HP, 3PH, med hd. |
| 15 | 073832 | 44473832208 | Impeller, CHK-200/CHKL-200, 20HP, 3PH, high hd. |
| 16 | 071725S | 71271725753 | Seal, C-7, PS-360 |
| 17 | 070906 | 11670906199 | Flange, mach., C-52 brass |
| 18 | 071423 | 3640508457 | O-ring, C-70 |
| 19 | 071681 | 1680378104 | Screw, 3/8, 16 x 7/8 in. CS hh., 2 req. |
| 20 | 072185 | 7641043478 | Water slinger, C-115 |
| 21 | 071046 | 4720201104 | Impeller, key, 3/16 in. |
| 22 | 071687 | 1680155113 | Screw, 1/2, 13 x 1-1/4 stl. hh., 4 req. |
| 60 HERTZ MOTORS | | | |
| 23 | 357205S | | Motor package, 5HP, 1PH, 200/208V |
| 23 | 071366S | 52571366999 | Motor package, 5HP, 1PH, 230V |
| 23 | 357206S | | Motor package, 5HP, 3PH, 200/208V |
| 23 | 071364S | 52571364999 | Motor package, 5HP, 3PH, 208-220/440 |
| 23 | 357207S | | Motor package, 7-1/2 HP, 1PH, 200/208V |
| 23 | 357204S | 525357204999 | Motor package, 7-1/2 HP, 1PH, 230V |
| 23 | 357208S | | Motor package, 7-1/2 HP, 3PH, 200/208V |
| 23 | 071365S | 52571365999 | Motor package, 7-1/2 HP, 3PH, 208-220/440V |

C SERIES® HIGH PERFORMANCE PUMP (CONT'D)

REPLACEMENT PARTS

| Item | Part No. | Ref. No. | Description |
|---|----------|-------------|--|
| C SERIES PUMPS | | | |
| 60 HERTZ MOTORS (Cont'd) | | | |
| 23 | 357247S | | Motor package, 7.5HP, 3PH, 575V |
| 23 | 357209S | | Motor package, 10HP, 3PH, 200/208V |
| 23 | 357249S | | Motor package, 10HP, 1PH, 230V |
| 23 | 071363S | 52571363999 | Motor package, 10HP, 3PH, 208-220/440V |
| 23 | 357238S | | Motor package, 10HP, 3PH, 575V |
| 23 | 357210S | | Motor, package 15HP, 3PH, 200/208V |
| 23 | 071361S | 52571361999 | Motor package, 15HP, 3PH, 208-220/440V |
| 23 | 357245S | | Motor package, 15HP, 3PH, 575V |
| 23 | 357211S | | Motor package, 20HP, 3PH, 200/208V |
| 23 | 071362S | 52571362999 | Motor package, 20HP, 3PH, 208-220/440V |
| 23 | 357246S | | Motor, package 20HP, 3PH, 575V |
| 50 HERTZ MOTORS | | | |
| 23 | 072737S | 52572737999 | Motor, 5HP, 3PH, 380/415V |
| 23 | 072739S | 52572739999 | Motor, 7.5HP, 3PH, 380/415V |
| 23 | 072740S | 52572740999 | Motor, 10HP, 3PH, 380/415V |
| 23 | 072742S | 52572742999 | Motor, 15HP, 3PH, 380/415V |
| 23 | 072744S | 52572744999 | Motor, 20HP, 3PH, 380/415V |
| Motor subassemblies include items No.12 -21 and 23 | | | |
| | 073260 | A073260 | Motor, sub assembly, CM-50 |
| | 073262 | A073262 | Motor, sub assembly, CMK-50 ² |
| | 073264 | A073264 | Motor, sub assembly, CH-50 |
| | 073265 | A073265 | Motor, sub assembly, CHK-50 ² |
| | 073263 | A073263 | Motor, sub assembly CMK-75 ² |
| | 073266 | A073266 | Motor, sub assembly CHK-75 ² |
| | 073680 | A073680 | Motor, sub assembly CMK-100 ² |
| | 073267 | | Motor, sub assembly CHK-100 ² |
| | 073261 | A073261 | Motor, sub assembly CMK-150 ² |
| | 073268 | A073268 | Motor, sub assembly CHK-150 ² |

| Item | Part No. | Ref. No. | Description |
|------|----------|----------|---|
| | 073269 | A073269 | Motor, sub assembly CHK-200 ² |
| | 357910 | A357910 | Motor, sub assembly CH-75, 1PH, 230V ³ |
| | 357930 | A357930 | Motor, sub assembly CM-75, 1PH, 200V ³ |
| | 357935 | A357935 | Motor, sub assembly CH-75, 1PH, 200V ³ |
| | 357250 | | Motor, sub assembly CH-100, 10HP, 1PH, 230V |
| | 357251 | | Motor, sub assembly CM-100, 1PH, 230V |
| | 014700 | A014700 | Motor, sub assembly CMKL-50 380/415V ⁴ |
| | 014801 | A014801 | Motor, sub assembly CHKL-50 380/415V ⁴ |
| | 014701 | A014701 | Motor, sub assembly CMKL-75 380/415V ⁴ |
| | 014802 | A014802 | Motor, sub assembly CHKL-75 380/415V ⁴ |
| | 014702 | A014702 | Motor, sub assembly CMKL-100 ⁴ |
| | 014803 | A014803 | Motor, sub assembly CHKL-100 ⁴ |
| | 014703 | A014703 | Motor, sub assembly CMKL-150 ⁴ |
| | 014804 | A014804 | Motor, sub assembly CHKL-150 ⁴ |
| | 014805 | A014805 | Motor, sub assembly CHKL-200 ⁴ |

¹ Includes: 2 of item No. 1, 1 each of items No. 2 thru No. 6, 1 of item No. 8 and 4 of item No. 9.

² All motor subassemblies are 60 Hertz 220/440V, 3 phase.

³ All motor subassemblies are single phase 60 Hertz.

⁴ All motor subassemblies are 50 Hertz 380/415V, 3 phase.

Notes:

- All bronze C-series parts will retrofit older cast iron models.
- Standard flange not included with pump.
- For all 200/208V applications, use 200/208V motors only.

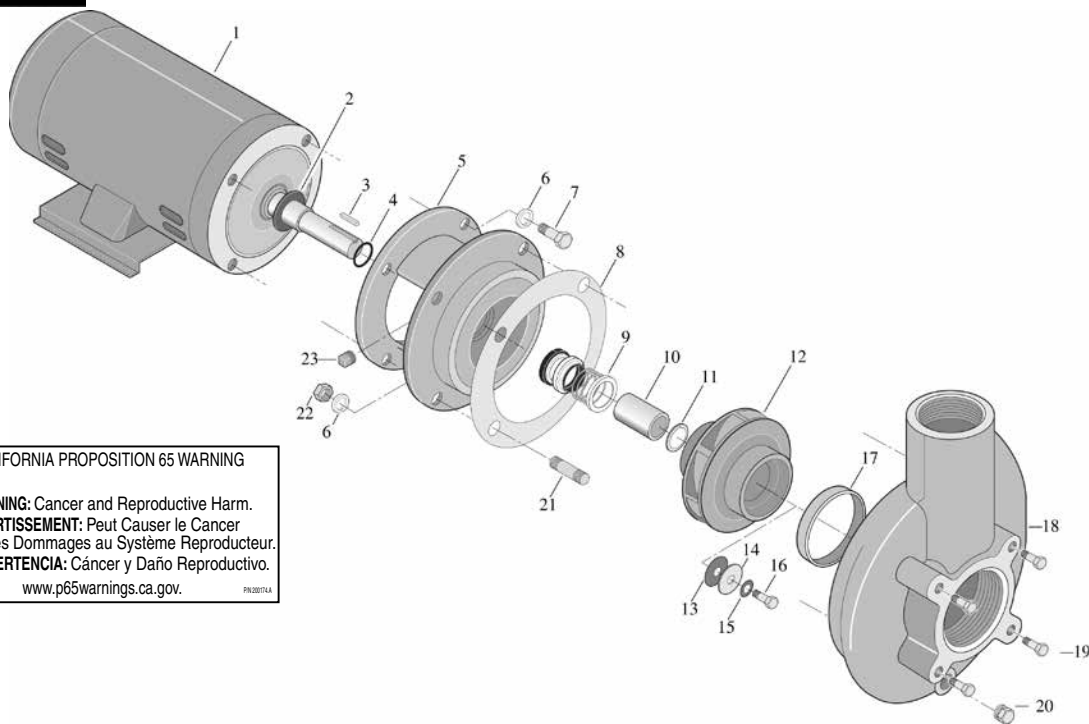
CALIFORNIA PROPOSITION 65 WARNING

▲ **WARNING:** Cancer and Reproductive Harm.
▲ **AVERTISSEMENT:** Peut Causer le Cancer et des Dommages au Système Reproducteur.
▲ **ADVERTENCIA:** Cáncer y Daño Reproductivo.

www.p65warnings.ca.gov. PH00014

C/CC SERIES™ CENTRIFUGAL PUMP

3 HP MODEL REPLACEMENT PARTS



CALIFORNIA PROPOSITION 65 WARNING

⚠️ **WARNING:** Cancer and Reproductive Harm.
 ⚠️ **AVERTISSEMENT:** Peut Causer le Cancer et des Dommages au Système Reproducteur.
 ⚠️ **ADVERTENCIA:** Cáncer y Daño Reproductivo.
www.p65warnings.ca.gov PA1207514

| Item | Part No. | Description |
|--|------------|---|
| CENTRIFUGAL PUMP - C/CC SERIES - 3 HP | | |
| 1 | C218-177 | Motor 230V/60H/1 Ph. |
| 1 | C218-178 | Motor 200V/60H/3 Ph. |
| 1 | C218-179 | Motor 230/460V/60H/3 Ph. |
| 1 | C218-191 | Motor 200V/60H/1 Ph. |
| 3 | U65-42A | Key, Impeller |
| 4 | U9-265 | O-Ring |
| 5 | C2-81 | Adapter (Models: CCMH-136, CCM2H-136, CCM2H-136S, CCMH3-136S, CCM2H3-136, CCM2H3--136S, CCHH-137S, CCHH3-137S, CCH2H-137S, CCH2H3-137, CCH2H3-137S) |
| 5 | C2-81D | Adapter (Models: CMH-136, CMH3-136, CM2H-136, CM2H3-136, CHH-137, CHH3-137, CH2H3-137) |
| 6 | U43-12ZP | Lockwasher, 3/8 in. |
| 7 | U30-73ZP | Capscrew, 3/8-16 x 7/8 in. |
| 8 | C20-77 | Gasket |
| 9 | U109-433SS | Shaft Seal (Replaces U109-220, effective 8/00) |
| 10 | C23-58 | Shaft Sleeve |
| 11 | C20-101 | Gasket, Sleeve |
| 12 | C105-224DG | Impeller (Silicon Brass) (Models: CCMH-136, CCM2H-136, CCM2H-136S, CCMH3-136S, CCM2H3-136, CCM2H3-136S, CMH-136, CMH3-136, CM2H-136, CM2H3-136) |
| 12 | C105-224DF | Impeller (Silicon Brass) (Models: CCHH-137S, CCHH3-137S, CCH2H-137S, CCH2H3-137, CCH2H3-137S, CHH-137, CHH3-137, CH2H3-137) |

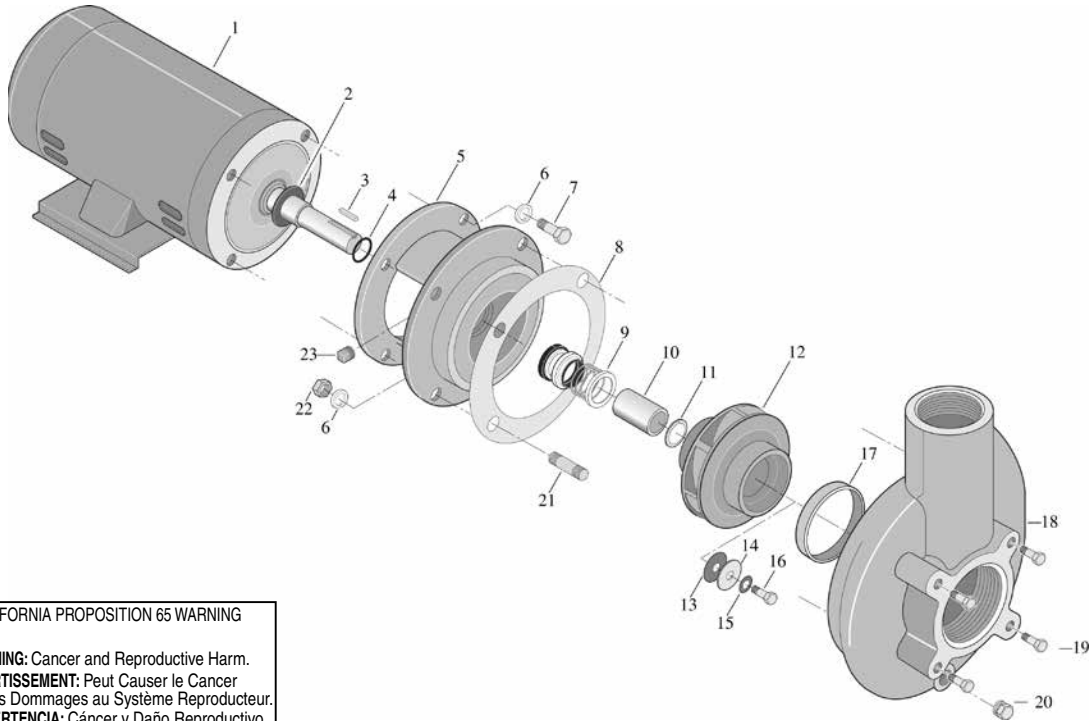
| Item | Part No. | Description |
|------|------------|--|
| 13 | C20-100 | Gasket, Impeller |
| 14 | C43-45SS | Washer, Impeller |
| 15 | C43-46 | Washer, Stat-O-Seal |
| 16 | U30-72SS | Screw, Impeller 3/8-16 x 3/4 in. |
| 17 | C23-40 | Wear Ring Only |
| 18 | C101-167 | Volute Assembly (Incl. 17 Only) (Models CCMH-136, CCM2H-136, CCM2H-136S, CCMH3-136S, CCM2H3-136, CCHH-137S, CCHH3-137S, CCH2H-137S, CCH2H3-137, CCH2H3-137S) |
| 18 | C101-167D | Volute Assembly (Incl. 17 Only) (Models CMH-136, CMH3-136, CM2H-136, CM2H3-136, CHH-137, CHH3-137, CH2H3-137) |
| 20 | U78-941ZPV | Pipe Plug, 1/4 in. NPT, Hex Head |
| 21 | U30-22SS | Stud, 3/8-16 x 1/16 in. |
| 22 | U36-38ZP | Nut, Hex 3/8 x 16 - (Models CCMH-136, CCM2H-136, CCM2H-136S, CCMH3-136S, CCM2H3-136, CCM2H3--136S, CCHH-137S, CCHH3-137S, CCH2H-137S, CCH2H3-137, CCH2H3-137S) |
| 23 | U78-57SSS | Pipe Plug, 1/4 in. NPT |

Note: Model numbers with a "3" in them indicate a 3-Phase motor. Model numbers with a "2" in them indicate a 200V motor.

Note: C Series with different hydraulic numbers (CCMH-93) are older models that use different parts. Consult factory for older models.

C/CC SERIES™ CENTRIFUGAL PUMP

5 HP MODEL REPLACEMENT PARTS



CALIFORNIA PROPOSITION 65 WARNING

⚠ **WARNING:** Cancer and Reproductive Harm.
 ⚠ **AVERTISSEMENT:** Peut Causer le Cancer et des Dommages au Système Reproducteur.
 ⚠ **ADVERTENCIA:** Cáncer y Daño Reproductivo.
www.p65warnings.ca.gov P8320744

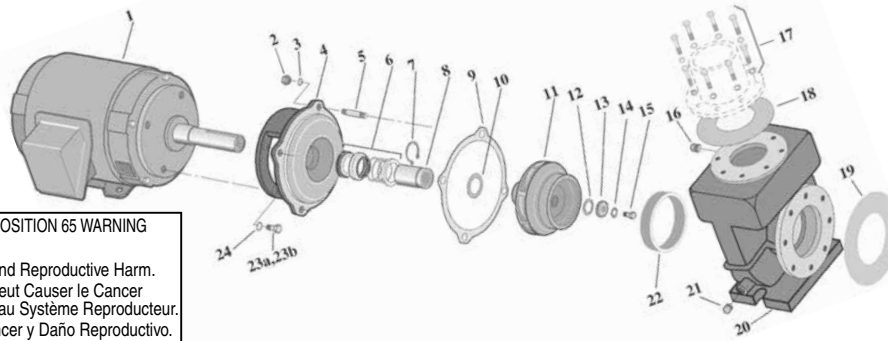
| Item | Part No. | Description |
|--|------------|---|
| CENTRIFUGAL PUMP - C/CC SERIES 5 HP | | |
| 1 | C218-180 | Motor 230V/60H/1 Ph. |
| 1 | C218-182 | Motor 230/460V/60H/3 Ph. |
| 1 | C218-181 | Motor 200V/60H/3 Ph. |
| 3 | U65-42A | Key, Impeller |
| 4 | U9-265 | O-Ring |
| 5 | C2-81 | Adapter (Models: CCHJ-138, CCHJ138S, CCHJ3-138S, CCH2J3-138S) |
| 5 | C2-81D | Adapter (Models: CHJ-138, CH2J3-138, CH2J3-138) |
| 6 | U43-12ZP | Lockwasher, 3/8 in. |
| 7 | U30-73ZP | Capscrew, 3/8-16 x 7/8 in. |
| 8 | C20-77 | Gasket |
| 9 | U109-433SS | Shaft Seal |
| 10 | C23-58 | Shaft Sleeve |
| 11 | C20-101 | Gasket, Sleeve |
| 12 | C105-224DE | Impeller (Silicon Brass) |
| 13 | C20-100 | Gasket, Impeller |
| 14 | C43-45SS | Washer, Impeller |
| 15 | C43-46 | Washer, Stat-O-Seal |
| 16 | U30-72SS | Screw, Impeller 3/8-16 x 3/4 in. |

| Item | Part No. | Description |
|------|------------|---|
| 17 | C23-40 | Wear Ring Only |
| 18 | C101-167 | Volute Assembly (Incl. 17 Only) (Models: CCHJ-138, CCHJ138S, CCHJ3-138S, CCH2J3-138S) |
| 18 | C101-167D | Volute Assembly (Incl. 17 Only) (Models: CHJ-138, CH2J3-138, CH2J3-138) |
| 20 | U78-941ZPV | Pipe Plug, 1/4 in. NPT, Hex Head |
| 21 | U30-22SS | Stud, 3/8 - 16 x 1-1/4 in. |
| 22 | U36-38ZP | Nut, Hex 3/8 x 16 in. (Models: CCHJ-138, CCHJ138S, CCHJ3-138S, CCH2J3-138S) |
| 23 | U78-57SSS | Pipe Plug, 1/4 in. NPT |

Note: Model numbers with a "3" in them indicate a 3-Phase motor. Model numbers with a "2" in them indicate a 200V motor.

Note: C Series with different hydraulic numbers (CCMH-93) are older models that use different parts. Consult factory for older models.

CSPH/CCSPH SERIES™ PUMP REPLACEMENT PARTS



CALIFORNIA PROPOSITION 65 WARNING
⚠️ WARNING: Cancer and Reproductive Harm.
⚠️ AVERTISSEMENT: Peut Causer le Cancer et des Dommages au Système Reproducteur.
⚠️ ADVERTENCIA: Cáncer y Daño Reproductivo.
www.p65warnings.ca.gov
PK320714

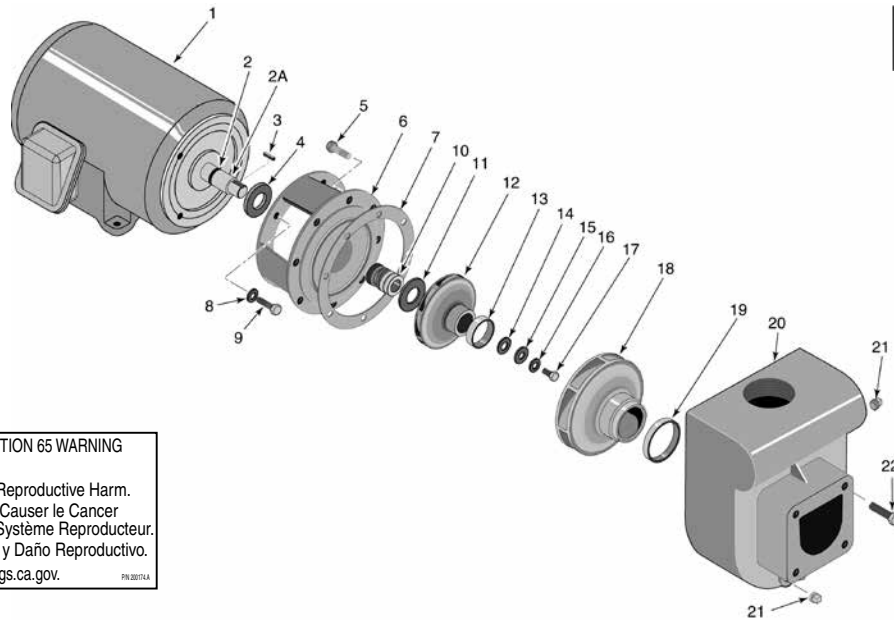
| Item | Part No. | Description |
|---|------------|---|
| 230 VOLT/1 PHASE OR 230/460 VOLT/3 PHASE | | |
| 1 | S22351 | Motor 230V/1 Ph. - 7-1/2 HP (Models: CSPHK-1421, CCSPHK-1421, CSPHK3-1422, CCSPHK3-1422) |
| 1 | 62500-0101 | Motor 230V/1 Ph. - 10 HP (Models: CSPHL-143, CCSPHL-143M, CSPHL3-1431, CCSPHL3-1431) |
| 1 | S22353 | Motor 230V/3 Ph. - 7-1/2 HP (Models: CSPHK-1421, CCSPHK-1421, CSPHK3-1422, CCSPHK3-1422) |
| 1 | S22356 | Motor 230V/3 Ph. - 10 HP (Models: CSPHL-143, CCSPHL-143M, CSPHL3-1431, CCSPHL3-1431) |
| 1 | S22357 | Motor 230V/3 Ph. - 15 HP (Models: CSPHM3-1441, CCSPHM3-1441) |
| 1 | S28574 | Motor 230V/3 Ph. - 20 HP (Models: CSPHN3-1451, CCSPHN3-1451) |
| 1 | 16830-0320 | Motor 230V/3 Ph. 7-1/2 HP (Models: CSPH2K3-142, CCSPH2K3-142) |
| 1 | 16831-0320 | Motor 200V/3 Ph. - 10 HP (Models: CSPH2L3-143, CCSPH2L3-143) |
| 1 | 16832-0320 | Motor 200V/3 Ph. - 15 HP (Models: CSPH2M3-144, CCSPH2M3-144) |
| 1 | 16833-0320 | Motor 200V/3 Ph. - 20 HP (Models: CSPH2N3-145, CCSPH2N3-145) |
| 2 | S23488 | Nut, 1/2 in. |
| 3 | U43-13SS | Lockwasher, 1/2 in. |
| 3 | U43-12SS | Lockwasher, 3/8 in. ² |
| 4 | L05329 | Bracket - 7-1/2 HP (3 Ph. Models) |
| 4 | L05328 | Bracket - 10 HP (CSPH, CSPH2 Models) - 15 HP (CSPH, CSPH2 Models) - 7-1/2 (CSPH, CSPH2 Models) |
| 4 | L05779 | Bracket - 20 HP (CSPH, CSPH2 Models) |
| 4 | 16830-2201 | Bracket - 7-1/2 HP (3 Ph. Models) |
| 4 | 16830-2203 | Bracket - 10 HP (CCSPH, CCSPH2 Models) - 15 HP (CCSPH, CCSPH2 Models) - 7-1/2 HP (CCSPH, CCSPH2 Models) |
| 4 | 16830-2202 | Bracket - 20 HP (CCSPH, CCSPH2 Models) |
| 5 | 30747-0152 | Stud, 1/2-13 x 1-1/2 in. |
| 6 | S32014 | Mechanical Shaft Seal |
| 6 | S32015 | Mechanical Shaft Seal - 20 HP |
| 7 | S11207 | Retaining Ring |

| Item | Part No. | Description |
|------|-------------|--|
| 7 | S16767 | Retaining Ring - 20 HP (Models: CSPHN3-1451, CCSPHN3-1451) |
| 8 | 37447-0001L | Shaft Sleeve |
| 8 | 37447-0002L | Shaft Sleeve - 20 HP |
| 9 | S04757 | Gasket (Volute to Bracket) |
| 10 | 33455-8044 | Gasket (Impeller to Shaft Sleeve) |
| 10 | 33455-8046 | Gasket (Impeller to Shaft Sleeve) - 20 HP |
| 11 | 16830-0209 | Impeller - 7-1/2 HP |
| 11 | 16830-0210 | Impeller- 10 HP |
| 11 | 16830-0211 | Impeller - 15 HP |
| 11 | 16830-0212 | Impeller - 20 HP |
| 12 | 33455-8043 | Gasket (Impeller to Washer) |
| 12 | 33455-8045 | Gasket (Impeller to Washer) - 20 HP |
| 13 | 38917-0203 | Impeller Washer |
| 13 | 38917-0204 | Impeller Washer - 20 HP (Models: CSPHN3-1451, CCSPHN3-1451) |
| 14 | C43-46SS | Stat-O-Seal Washer |
| 14 | C43-46SSA | Stat-O-Seal Washer - 20 HP (Models: CSPHN3-1451, CCSPHN3-1451) |
| 15 | S23566 | Capscrew, 3/8-16 x 1 in. ¹ |
| 15 | S23619 | Capscrew, 1/2-13 x 1 in. ² |
| 16 | U78-57DT | Pipe Plug 1/4 in. NPT |
| 17 | 16830-0400 | Hardware Kit |
| 18 | 33450-8042 | Gasket (Volute Discharge) |
| 19 | 33450-8041 | Gasket (Volute Suction) |
| 20 | 16830-0100 | Volute (CSPH, CSPH2) |
| 20 | 16830-2102 | Volute (CCSPH) - 7-1/2 HP, 10 HP |
| 20 | 16830-2103 | Volute (CCSPH) - 15 HP, 20 HP ¹ |
| 20 | 16830-0100 | Volute (CSPH2, CSPH2) |
| 20 | 16830-2102 | Volute (CCSPH2) - 7-1/2 HP, 10 HP |
| 21 | U78-59D | Drain Plug, 1/2 in. NPT |
| 22 | 16830-0120 | Wear Ring |
| 23A | S23619 | Capscrew, 1/2-13 x 1 in. ¹ |
| 23B | S23566 | Capscrew, 3/8-16 x 1 in. ² |
| 24 | U43-13SS | Lockwasher, 1/2 in. |

¹ 7-1/2 HP; 1 Phase only.

² 3 Phase only.

D SERIES™ PUMP REPLACEMENT PARTS



CALIFORNIA PROPOSITION 65 WARNING
 ⚠️ **WARNING:** Cancer and Reproductive Harm.
 ⚠️ **AVERTISSEMENT:** Peut Causer le Cancer et des Dommages au Système Reproducteur.
 ⚠️ **ADVERTENCIA:** Cáncer y Daño Reproductivo.
 www.p65warnings.ca.gov. P8 201714

| Item | Part No. | Description |
|---|------------|--|
| SELF PRIMING CENTRIFUGAL PUMP - D SERIES | | |
| 1 | C218-177 | Motor 230V/60H/1 Ph. DMH Medium Head: 3 HP, High Head: 3 HP |
| 1 | C218-180 | Motor 230V/60H/1 Ph. DMJ Medium Head: 5 HP, High Head: 5 HP |
| 1 | C218-179 | Motor 230/460V/60H/3 Ph. DMH Medium Head: 3 HP, High Head: 3 HP |
| 1 | C218-182 | Motor 230/460V/60H/3 Ph. DMJ Medium Head: 5 HP, High Head: 5 HP |
| 1 | C218-191 | Motor 200V/60H/1 Ph. DMH Medium Head: 3 HP, High Head: 3 HP |
| 1 | C218-192 | Motor 200V/60H/1 Ph. DMJ Medium Head: 5 HP, High Head: 5 HP |
| 1 | C218-178 | Motor 200V/60H/3 Ph. DMH Medium Head: 3 HP, High Head: 3 HP |
| 1 | C218-181 | Motor 200V/60H/3 Ph. DMJ Medium Head: 5 HP, High Head: 5 HP |
| 2 | U9-265 | O-Ring |
| 2A | C23-58 | Sleeve |
| 3 | U65-42A | Key, Square 3/16 x 3/16 x 7/8 in. |
| 4 | N/A | |
| 5 | 071681 | Screw 3/8 x 16 x 7/8 in. HH |
| 6 | C2-66 | Motor Adapter |
| 7 | C20-46 | Gasket, Adapter |
| 8 | U43-12ZP | Lockwasher, 3/8 in. ¹ |
| 9 | U30-73ZP | Capscrew, 3/8-16 x 7/8 in. |
| 10 | U109-433SS | Shaft Seal ³ |
| 11 | C20-101 | Gasket, Seal |
| 12 | C5-246 | Impeller ² - Medium Head: 3 HP |
| 12 | C5-247 | Impeller ² - Medium Head: 5 HP |

| Item | Part No. | Description |
|------------------|------------|--|
| 12 | C5-248 | Impeller ² - High Head: 3 HP |
| 12 | C5-249 | Impeller ² - High Head: 5 HP |
| 13 | J23-5 | Wear Ring (Only) |
| 13 | C23-14 | Wear Ring (Only) - Medium Head: 5 HP |
| 14 | C20-100 | Gasket |
| 15 | C43-45SS | Washer, Impeller |
| 16 | C43-46 | Gasket |
| 17 | U30-72SS | Screw, Impeller 3/8-16 x 3/4 in. ¹ |
| 18 | C101-126 | Volute Diffuser w/ Wear Ring Medium Head: 3 HP |
| 18 | C101-126B | Volute Diffuser w/ Wear Ring Medium Head: 5 HP |
| 18 | C101-132 | Volute Diffuser w/ Wear Ring High Head: 3 HP, High Head: 5 HP |
| 19 | C21-2 | Diffuser Ring |
| 20 | C76-12 | Pump Body Medium Head: 3 HP, High Head: 5 HP |
| 20 | C76-12C | Pump Body - Medium Head: 5 HP |
| 20 | C76-12B | Pump Body - High Head: 3 HP |
| 21 | U78-941ZPV | Pipe Plug, 1/4 in. NPT ¹ |
| 22 | U30-60ZP | Capscrew 5/16-18 x 3/4 in. |
| NOT SHOWN | | |
| | U212-68T | Draincock, 1/4 in. NPT * |

¹ Purchase locally.

² Change effective 6/97.

³ Replaces U109-220 (effective 8/00).

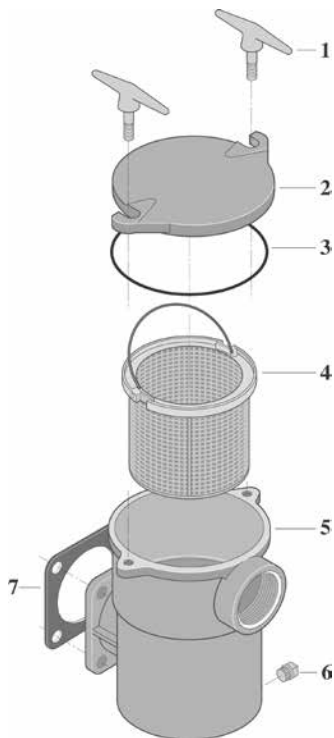
Note: D Series with different numbers (i.e. DMH-64) use different parts. Consult factory for older models.

CAST IRON SUCTION TRAP ASSEMBLY

REPLACEMENT PARTS



PACKAGE
No. 51
No. 98
No. 74



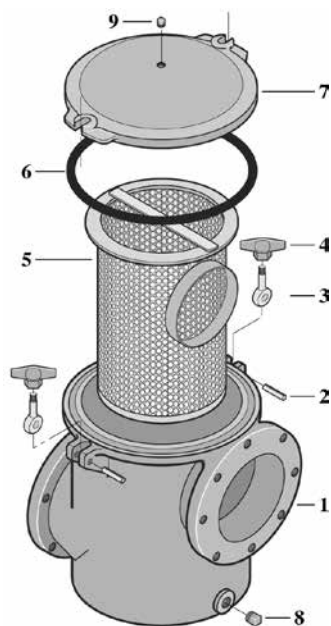
CALIFORNIA PROPOSITION 65 WARNING

⚠ **WARNING:** Cancer and Reproductive Harm.
 ⚠ **AVERTISSEMENT:** Peut Causer le Cancer et des Dommages au Système Reproducteur.
 ⚠ **ADVERTENCIA:** Cáncer y Daño Reproductivo.
www.p65warnings.ca.gov

| Item | Part No. | Description |
|--|------------|------------------------------|
| PKG. 51 6-IN. TRAP REPLACEMENT PARTS | | |
| 1 | C154-18D | Handle Assembly ¹ |
| 2 | C3-30 | Cover |
| 3 | U9-46 | Cord Ring |
| 4 | C108-11P | Strainer Basket |
| 5 | C53-5B | Trap Body |
| 6 | U78-57DT | Pipe Plug, 1/4 in. NPT |
| 7 | C20-19 | Gasket |
| PKG. 98 8-IN. TRAP REPLACEMENT PARTS | | |
| 1 | C154-18D | Handle Assembly ¹ |
| 2 | C3-105 | Cover |
| 3 | U9-171 | Cord Ring |
| 4 | 16401-0030 | Strainer Basket |
| 5 | C53-21 | Trap Body |
| 6 | U78-57DT | Pipe Plug, 1/4 in. NPT |
| 7 | C20-19 | Gasket |
| PKG. 74 11-IN. TRAP REPLACEMENT PARTS | | |
| 1 | C154-18D | Handle Assembly ¹ |
| 2 | C3-76 | Cover |
| 3 | U9-105 | Cord Ring |
| 4 | C108-25SS | Strainer Basket |
| 5 | - | Trap Body |
| 6 | U78-57DT | Pipe Plug, 1/4 in. NPT |
| 7 | C20-19 | Gasket |

¹ 6 in. - Pkg. 51 has 2 each; 8 in. - Pkg. 98 has 4 each; 11 in. - Pkg. 74 has 4 each.

PACKAGE
No. 184
No. 184C
No. 184E
No. 184CE



| Item | Part No. | Description |
|--|------------|---|
| STANDARD FLANGE REPLACEMENT PARTS | | |
| 1 | 16401-0010 | Strainer Body (Pkg. 184, 184E) |
| 1 | 16401-2015 | Strainer Body (Pkg. 184C, 184CE) ¹ |
| 2 | 35857-0031 | Spring Pin |
| 3 | 30767-0011 | Toggle Bolt |
| 4 | 35404-0319 | Wing Nut |
| 5 | 16401-0102 | Strainer Basket |
| 6 | 35505-0421 | O-Ring |
| 7 | 16401-0210 | Strainer Cover (Pkg. 184, 184E) |
| 7 | 16401-2215 | Strainer Cover (Pkg. 184C, 184CE) ¹ |
| 8 | U78-59D | Pipe Plug, 1/2 in. Square Head Brass |
| NOT SHOWN | | |
| | 33450-8041 | Gasket, 6 in. Pipe Flange |
| | 16830-0401 | Hardware Kit (includes 16 each 3/4 in. lockwashers, 3/4-10 x 2 in. Capscrews) |
| | 61002-0012 | Tag, Hazardous Suction |

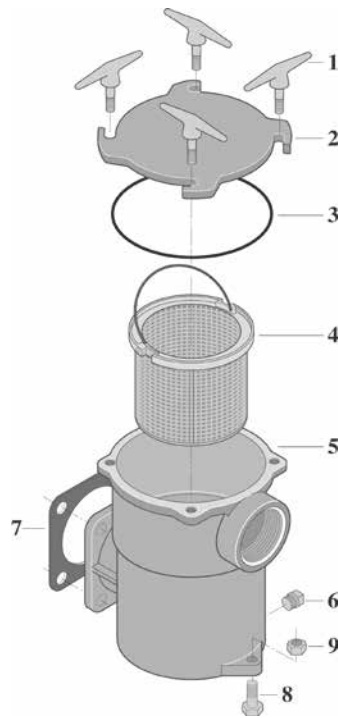
¹ Epoxy coated.

BRONZE SUCTION TRAP ASSEMBLY

REPLACEMENT PARTS



**PACKAGE
No. 56
No. 99**

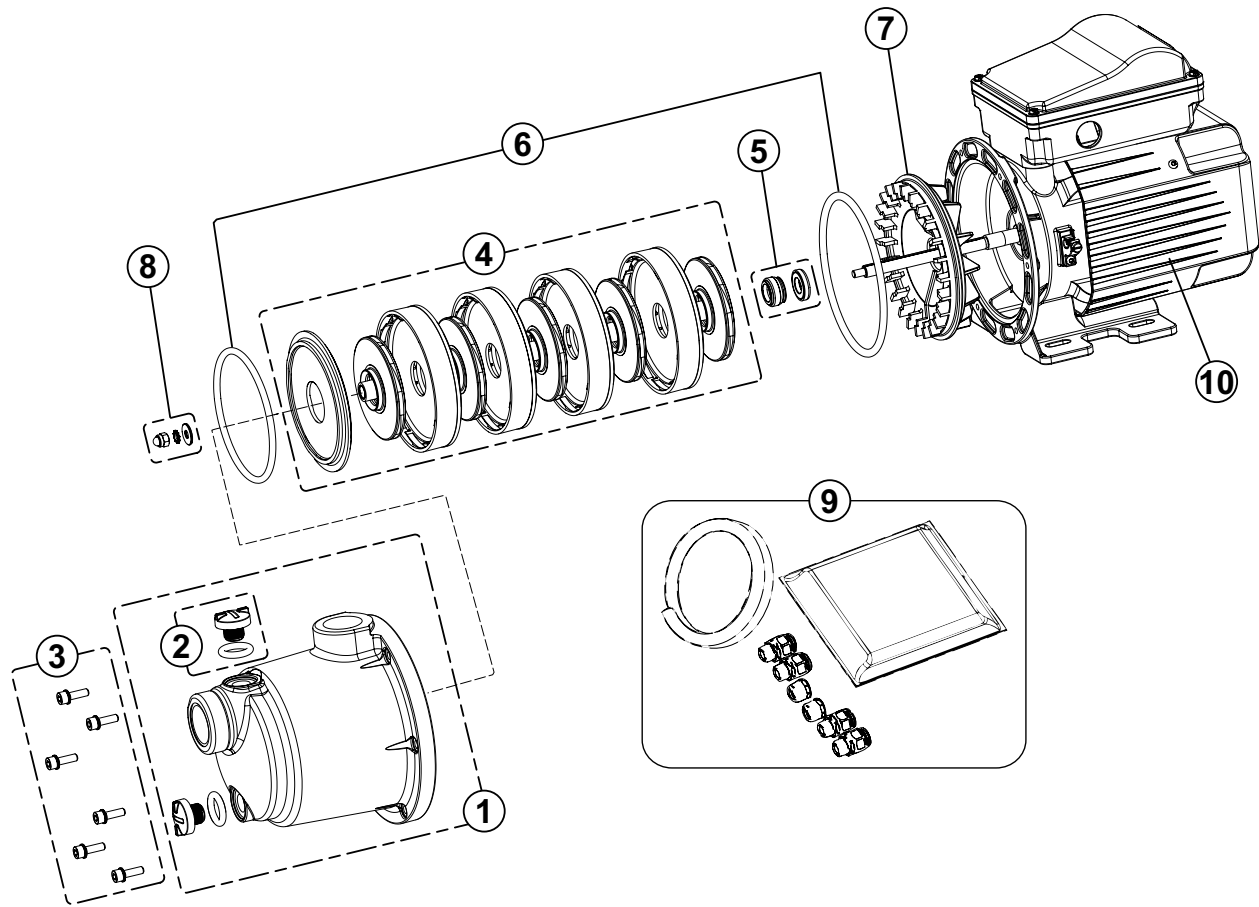


| Item | Part No. | Description |
|--------------------------------------|------------|------------------------------|
| BRONZE TRAP REPLACEMENT PARTS | | |
| 1 | C154-18D | Lock Handle Assembly |
| 2 | C3-78D | Cover (Pkg. 56) |
| 2 | C3-105D | Cover (Pkg. 99) |
| 3 | U9-46 | O-Ring (Pkg. 56) |
| 3 | U9-171 | O-Ring (Pkg. 99) |
| 4 | C108-11P | Strainer Basket (Pkg. 56) |
| 4 | 16401-0030 | Strainer Basket (Pkg. 99) |
| 5 | C53-5D | Suction Trap Body (Pkg. 56) |
| 5 | C53-21D | Suction Trap Body (Pkg. 99) |
| 6 | U78-57DT | Pipe Plug, 1/4 in. NPT |
| 7 | C20-19 | Gasket, Flange |
| 8 | U30-77SS | Capscrew, 3/8-16 x 1-3/4 in. |
| 9 | U36-38ZP | Nut, Hex 3/8-16 |

CALIFORNIA PROPOSITION 65 WARNING
 ⚠️ **WARNING:** Cancer and Reproductive Harm.
 ⚠️ **AVERTISSEMENT:** Peut Causer le Cancer et des Dommages au Système Reproducteur.
 ⚠️ **ADVERTENCIA:** Cáncer y Daño Reproductivo.
www.p65warnings.ca.gov PK52017A.1

HYDROBOOST™ BOOSTER PUMP

REPLACEMENT PARTS



| Item | Part No. | Qty. | Description |
|---------------------|----------|------|----------------------------|
| BOOSTER PUMP | | | |
| 1 | ZBR39320 | 1 | PUMP BODY W/ DRAIN PLUGS |
| 2 | ZBR12160 | 1 | DRAIN PLUGS W/ O-RING KIT* |
| 3 | ZBR12170 | 1 | BODY PUMP FASTENERS KIT |
| 4 | ZBR39330 | 1 | HYDRAULIC KIT |
| 5 | ZBR43920 | 1 | MECHANICAL SEAL KIT |
| 6 | ZBR12200 | 1 | O-RING KIT |
| 7 | ZBR12210 | 1 | SEAL PLATE KIT |
| 8 | ZBR12270 | 1 | END SHAFT FASTENERS KIT |
| 9 | 353020 | 1 | HOSE ADAPTER KIT** |
| 10 | 360519Z | 1 | MOTOR |
| — | 357843 | 1 | FAN SHROUD |

*INCLUDES (2) DRAIN PLUGS AND (2) O-RINGS; HOUSING NOT INCLUDED.

**INCLUDES (2) REDUCER BUSHINGS, (4) ADAPTERS AND 6 FT. (1.8 M) HOSE.

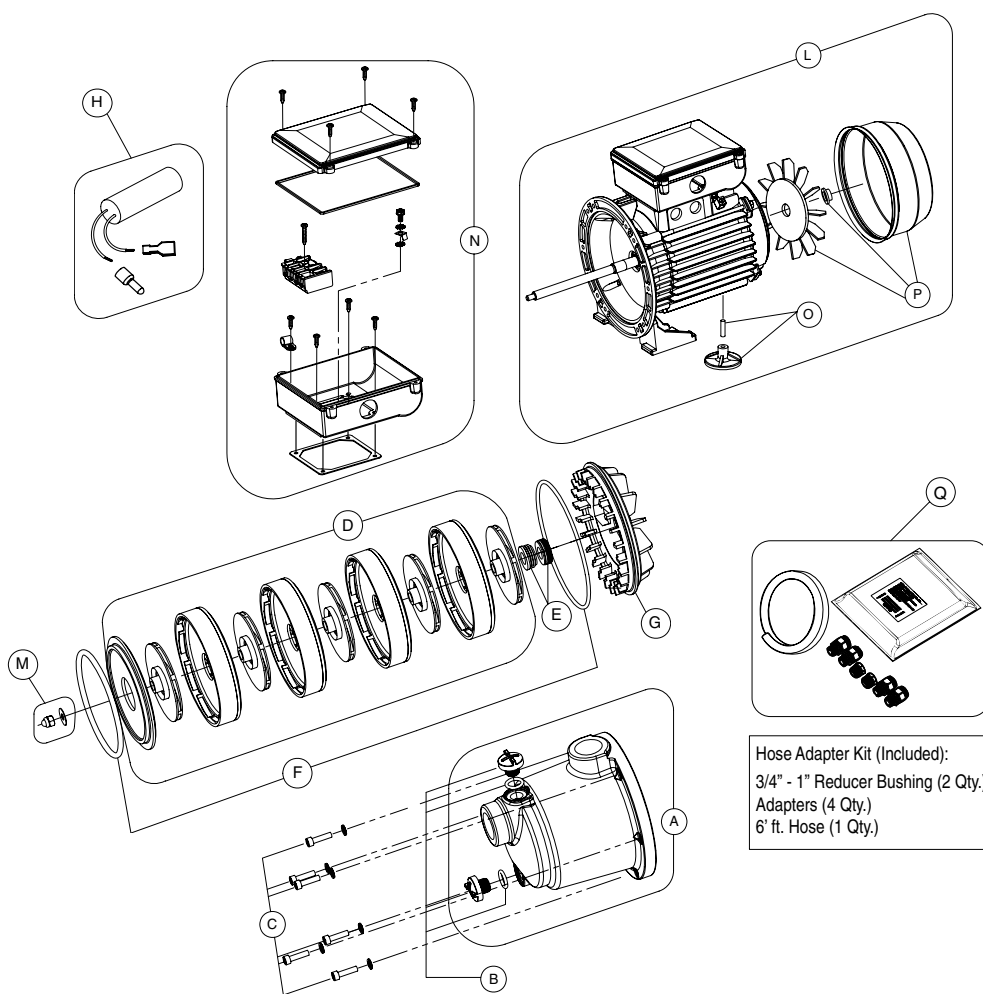
CALIFORNIA PROPOSITION 65 WARNING

⚠ **WARNING:** Cancer and Reproductive Harm.
 ⚠ **AVERTISSEMENT:** Peut Causer le Cancer et des Dommages au Système Reproducteur.
 ⚠ **ADVERTENCIA:** Cáncer y Daño Reproductivo.

www.p65warnings.ca.gov P/N 201714

BOOST-RITE® BOOSTER PUMP

REPLACEMENT PARTS

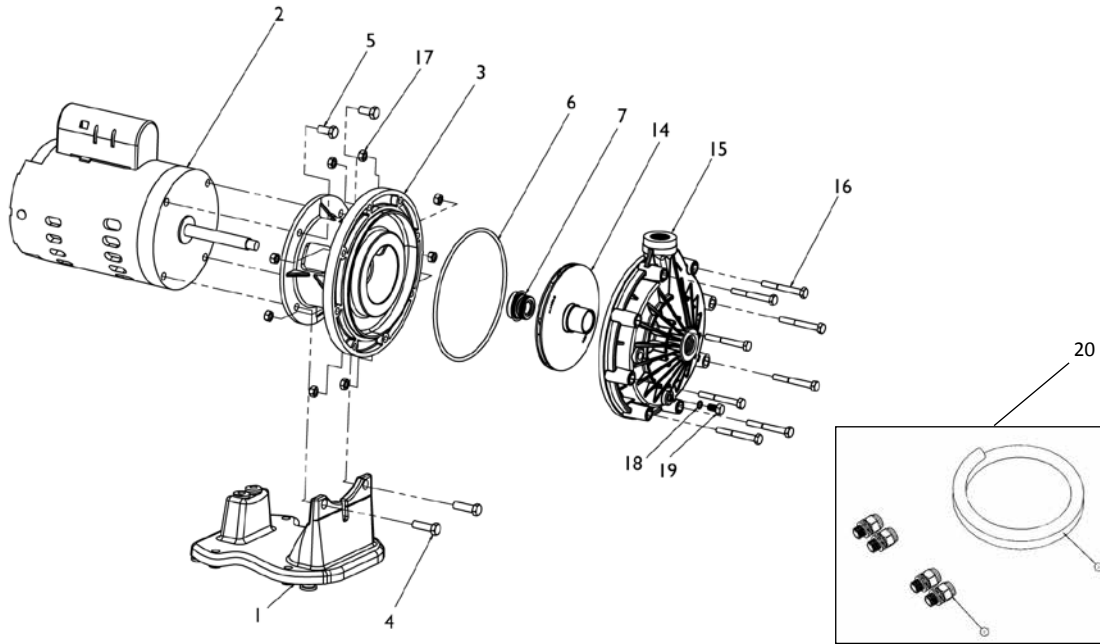


| Item | Part No. | Qty. | Description |
|---------------------|----------|------|--|
| BOOSTER PUMP | | | |
| A | ZBR39320 | 1 | Pump Body Kit w/Drain Plugs |
| B | ZBR12160 | 2 | Drain Plugs with O-Ring Kit - includes (2) drain plugs and (2) O-Rings |
| C | ZBR12170 | 1 | Body Pump Fasteners Kit |
| D | ZBR39330 | 1 | Hydraulic Kit |
| E | ZBR43920 | 1 | Mechanical Seal Kit |
| F | ZBR12200 | 1 | O-Ring Kit |
| G | ZBR12210 | 1 | Seal Plate Kit |
| H | ZBR39340 | 1 | Capacitor Kit |
| L | ZBR39360 | 1 | Complete Motor Assembly |
| M | ZBR12270 | 1 | End Shaft Fasteners Kit |
| N | ZBR39350 | 1 | Capacitor Box Complete Kit |
| O | ZBR26910 | 1 | Base Kit |
| P | ZBR43810 | 1 | Fan Kit |
| Q | 353040 | 1 | Hose Kit |

CALIFORNIA PROPOSITION 65 WARNING

⚠ **WARNING:** Cancer and Reproductive Harm.
 ⚠ **AVERTISSEMENT:** Peut Causer le Cancer
 et des Dommages au Système Reproducteur.
 ⚠ **ADVERTENCIA:** Cáncer y Daño Reproductivo.
www.p65warnings.ca.gov

BOOSTER PUMP REPLACEMENT PARTS



| Item | Part No. | Qty. | Description |
|---------------------|-----------|------|---|
| BOOSTER PUMP | | | |
| 1 | LA41 | 1 | Pump stand 99, complete with rubber grommets |
| 2 | LA10NS | 1 | Motor, 230/115 V, 1 ph, 60 hz, 6.5/13 A |
| 3 | LA295 * | 1 | Seal bracket |
| 4 | LA136 | 2-PK | Bolt 3/8-16 x 1-1/4 in., 2 req. |
| 5 | LA135 | 2-PK | Bolt 3/8-16 x 3/4 in., 2 req. |
| 6 | LA415 * | 1 | O-ring for seal bracket |
| 7 | 071734S | 1 | Seal (PS1000) - Set includes both cap and bellows |
| 14 | LA05L * | 1 | Impeller (new style) |
| 14 | LA02L | 1 | Impeller (old style) |
| 15 | LA39534 * | 1 | Volute |
| 16 | LA115 | 2-PK | Bolt |
| 17 | LA125 | 2-PK | Nut |
| 18 | LA375 * | 1 | O-ring for drain plug |
| 19 | EB20 * | 2-PK | Drain plug |
| 20 | 353020 | 1 | Hose kit: 4 plastic fittings and 1-6 ft. white hose. (built after 2005) |
| NOT SHOWN | | | |
| | LD10 | 2-PK | Hose washer (built prior to 2005), steel with black hose |
| | 370239 | 1 | Adapter Kit - 4 hose adapters in a bag; no hose |

* Recommended for stock.

Note: Pumps and replacement motors that are single speed and one (1) Total HP or greater cannot be sold, offered for sale, or installed in a residential pool for filtration use in California, Title 20 CCR sections 1601-1609.

CALIFORNIA PROPOSITION 65 WARNING

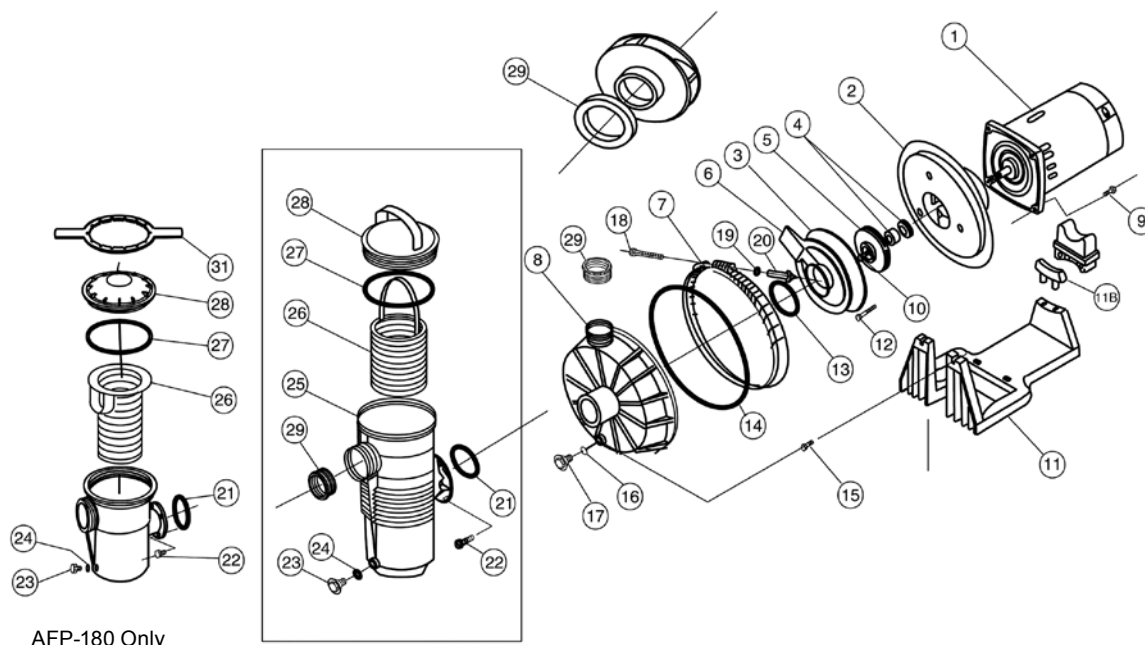
⚠ **WARNING:** Cancer and Reproductive Harm.
 ⚠ **AVERTISSEMENT:** Peut Causer le Cancer et des Dommages au Système Reproducteur.
 ⚠ **ADVERTENCIA:** Cáncer y Daño Reproductivo.

www.p65warnings.ca.gov

PR2017A

WATERFALL SPECIALTY PUMP

REPLACEMENT PARTS



AFP-180 Only

| Item | Part No. | Description |
|------------------------|----------|---|
| WATERFALL PUMPS | | |
| 1 | 355218S | Motor, AF-75 & 120, AFP-75 & 120, 37 lbs. |
| 1 | 355222S | Motor, AF-180, AFP-150 & 180, 35 lbs. |
| 2 | 355004 | Plate, seal |
| 3 | 355317 | Plate, mounting AF-75, AFP-75 |
| 3 | 355495 | Plate, mounting AF-120 & 180, AFP-120, 150 & 180 |
| 4 | 354545S | Seal, 5/8 in. mechanical, PS 200 |
| 5 | 355544 | Impeller AF-75, AFP-75 |
| 5 | 355068 | Impeller AF-120, AFP-120 |
| 5 | 355221 | Impeller AF-180, AFP-150 & 180 |
| 6 | 355545 | Diffuser AF-75, AFP-75 |
| 6 | 355069 | Diffuser AF-120, AFP-120 |
| 6 | 355140 | Diffuser AF-180, AFP-150 & 180 |
| 7 | 355320 | Band, clamp assembly complete |
| 8 | 355302 | Housing, front |
| 9 | U30-74SS | Screw, 3/8 in.-16 SS hex hd., 4 req. |
| 10 | 355389 | Screw, impeller locking |
| 11 | 355305 | Base, pump ¹ |
| 11B | 355385 | Adapter, 5-5/8 in. dia. motor ² |
| 12 | 355334Z | Screw, No. 8-32 x 1 in. AF-75 & 120, AFP-75 & 120, 3 req. |
| 12 | 355141 | Screw, No. 8-32 x 1-1/2 in. AF-180, AFP-150 & 180 |
| 13 | 355331Z | O-ring, diffuser |
| 14 | 355329Z | O-ring, front housing |
| 15 | 355335 | Screw, 5/16, 18 x 1/2 in. SS hex wsh. hd., (AF models only) |
| 16 | 192115Z | O-ring, drain plug |
| 17 | 154699 | Plug, 1/2 in. drain |
| 20 | 175025 | Knob (fits clamp w/ captured T-bolt only) |
| 21 | 355330 | O-ring, strainer pot flange |

| Item | Part No. | Description |
|------------------|----------|---|
| 22 | 354265 | Screw, 5/16 in., 18 hex wsh. hd., 4 req. |
| 23 | 357161Z | Plug, 1/4 in. drain |
| 24 | 192115Z | O-ring, drain plug |
| 25 | 355300 | Strainer pot AFP-75, AFP-120 & 150 |
| 26 | 355318Z | Basket, plastic strainer AFP-75 & 120 |
| 26 | 355441 | Basket, SS strainer AFP-150 |
| 26 | 355901 | Basket, SS strainer AFP-180 |
| 27 | 350013Z | O-ring, lid AFP-75, AFP-120 & 150 |
| 27 | 152509Z | Seal, lid AFP-180 |
| 28 | 355301 | Lid, strainer pot AFP-75, AFP-120 & 150 |
| 28 | 355902 | Lid, strainer pot AFP-180 |
| 29 | 355142 | Bushing, impeller nose AF-180, AFP-150 & 180 |
| 31 | 154527 | Wrench, 8-1/2 in., strainer pot AFP-180 |
| NOT SHOWN | | |
| | 355914 | Lid strainer pot AFP-75, AFP-120 & 150 Chemical resistant black lid |

¹ Pump base (item 11) includes dual radius motor support.

² Item 11A, motor support is a replacement part that fits only older style pump bases with rectangular opening.

Note: Pumps and replacement motors that are single speed and one (1) Total HP or greater cannot be sold, offered for sale, or installed in a residential pool for filtration use in California, Title 20 CCR sections 1601-1609.

CALIFORNIA PROPOSITION 65 WARNING

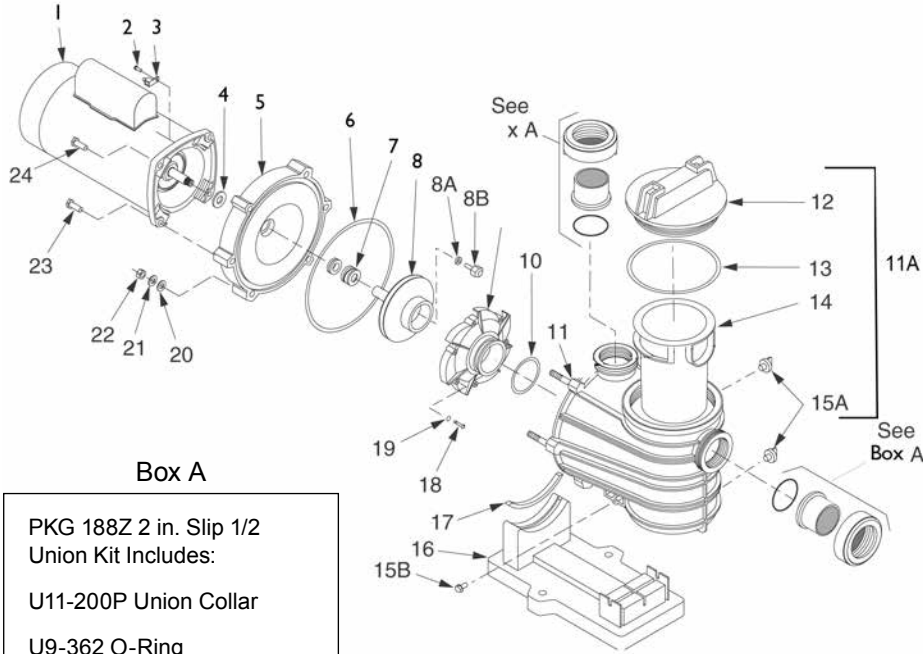
⚠️ **WARNING:** Cancer and Reproductive Harm.
 ⚠️ **AVERTISSEMENT:** Peut Causer le Cancer et des Dommages au Système Reproducteur.
 ⚠️ **ADVERTENCIA:** Cáncer y Daño Reproductivo.

www.p65warnings.ca.gov. PN20071A

Product on pages 184–185.

Replacement baskets on page 150.

DYNA-WAVE® SERIES PUMP REPLACEMENT PARTS



Refer to Manual
 #12 - 17307-0111S
 #13 - 35505-1440
 #11 - C76-71P
 Alternate parts used
 after 4-2009

Box A

PKG 188Z 2 in. Slip 1/2
 Union Kit Includes:
 U11-200P Union Collar
 U9-362 O-Ring
 U11-196P 2 in. Slip Adapter

| Item | Part No. | Description |
|------------------------------------|-------------|--|
| DYNA-WAVE REPLACEMENT PARTS | | |
| 1 | 62003-2088 | Motor, 115/230V 1750 RPM |
| 2 | U30-692SS | Screw #10-32 x 1/2 in. |
| 3 | U17-568 | Bonding Lug |
| 4 | C69-2 | Slinger |
| 5 | C3-184P | Seal Plate |
| 6 | U9-373Z | Seal Plate Cord Ring |
| 7 | 17351-0101S | Shaft Seal |
| 8 | C105-236PDA | Impeller |
| 9 | C1-270P | Diffuser |
| 10 | U9-374Z | Diffuser O-Ring |
| 10 | 357098Z | Diffuser O-Ring (Blue Coating) |
| 11 | C76-58P | Tank and Trap Body (Only) |
| 11A | C176-71P | Tank and Trap Assy (Includes #11, 12, 13, 14, 15A) |
| 12 | C3-185P | Trap Cover |
| 13 | U9-375 | Trap Cover O-Ring |

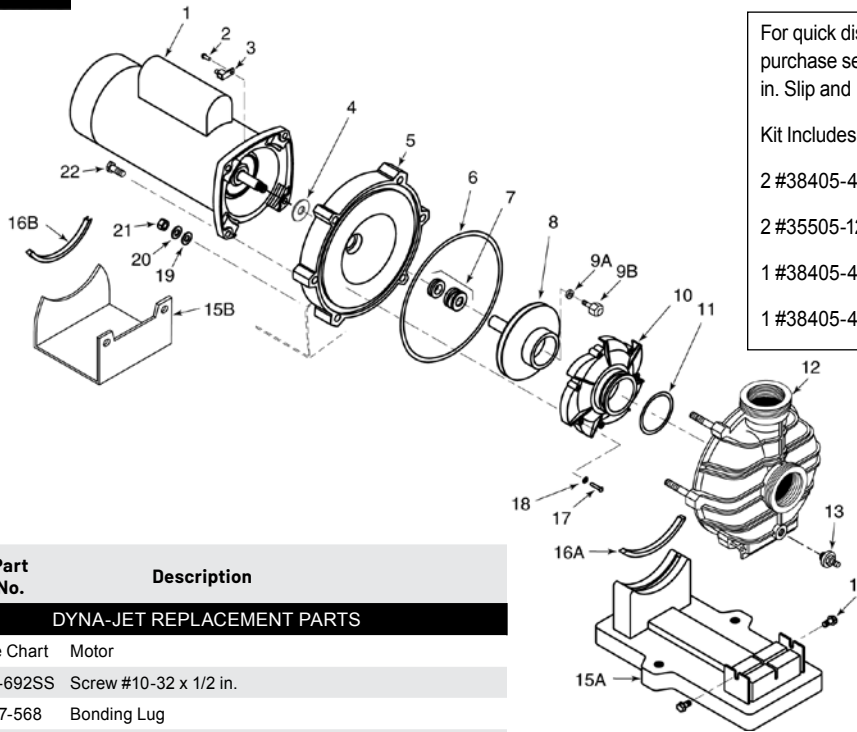
| Item | Part No. | Description |
|------|------------|----------------------------------|
| 14 | C8-58PZ | Trap Basket |
| 15A | U178-920PZ | Drain Plug |
| 15B | U30-919SS | Mounting Screw 5/16-14 x 5/8 in. |
| 16 | C4-77P | Base |
| 17 | C35-45 | Motor Pad |
| 18 | U30-542SS | Screw #8-32 x 7/8 in. Rd. Hd. |
| 19 | U43-21SS | Lock Washer #8 Ext. Tooth |
| 20 | U43-62SS | Flat Washer 3/8 in. |
| 21 | U43-12SS | Lock Washer 3/8 in. |
| 22 | U36-38SS | Nut 3/8-16 Hex |
| 23 | U30-74SS | Cap Screws 3/8-16 x 1 in. Hex. |

Note: Pumps and replacement motors that are single speed and one (1) Total HP or greater cannot be sold, offered for sale, or installed in a residential pool for filtration use in California, Title 20 CCR sections 1601-1609.

CALIFORNIA PROPOSITION 65 WARNING
 ⚠️ **WARNING:** Cancer and Reproductive Harm.
 ⚠️ **AVERTISSEMENT:** Peut Causer le Cancer et des Dommages au Système Reproducteur.
 ⚠️ **ADVERTENCIA:** Cáncer y Daño Reproductivo.
www.p65warnings.ca.gov PN20071A

DYNA-JET™ SERIES PUMP

TPE SERIES REPLACEMENT PARTS



For quick disconnect pipe connections, purchase separately Part No. 77703-0105 (2 in. Slip and 1-1/2 in. Slip Union Kit).

Kit Includes:

- 2 #38405-4094 Union Collars
- 2 #35505-1244 O-Ring
- 1 #38405-4095 2 in. Slip Adapter
- 1 #38405-4096 1-1/2 in. Slip Adapter

| Item | Part No. | Description |
|-----------------------------------|-------------|--|
| DYNA-JET REPLACEMENT PARTS | | |
| 1 | See Chart | Motor |
| 2 | U30-692SS | Screw #10-32 x 1/2 in. |
| 3 | U17-568 | Bonding Lug |
| 4 | 17351-0009 | Slinger ⁴ |
| 5 | C3-184P | Seal Plate |
| 6 | U9-373Z | Seal Plate Cord Ring |
| 7 | 17351-0101S | Shaft Seal |
| 8 | See Chart | Impeller |
| 9A | 33455-1047 | Impeller Lock Screw Gasket ¹ |
| 9B | 37337-6080 | Impeller Lock Screw ¹ |
| 10 | C1-270P | Diffuser ² |
| 11 | U9-374Z | Diffuser O-Ring |
| 11 | 357098Z | Diffuser O-Ring (Blue Coating) |
| 12 | 17303-0001 | Pump Body (Only) |
| 13 | U178-920PZ | Drain Plug |
| 14 | U30-919SS | Hi-Lo Screw 5/16-14 x 5/8 in. |
| 15A | C4-77P | Base - Corrosion Resistant |
| 15B | 17303-0113 | Base - Steel ³ |
| 16A | C35-45 | Motor Pad - for Corrosion Resistant Base |
| 16B | C35-5 | Motor Pad - for Steel Base ³ |
| 17 | U30-542SS | Screw #8-32 x 7/8 in. Rd. Hd. |
| 18 | U43-21SS | Lock Washer #8 Ext. Tooth |
| 19 | U43-62SS | Flat Washer 3/8 in. |
| 20 | U43-12SS | Lock Washer 3/8 in. |
| 21 | 071403 | Nut 3/8-16 Hex |
| 22 | U30-74SS | Cap Screws 3/8-16 x 1 in. Hex. |
| NOT SHOWN | | |
| | U9-359 | Drain Plug O-Ring |

Parts are common to all models except as noted:
Key Nos. 1, Motor; and 8, Impeller, are listed below.

| Model No. | HP | Motor No. (Key No. 1) | Impeller (Key No. 8) |
|---------------------------|-------|-----------------------|----------------------|
| 115/230/60/1 | | | |
| TPEAE-165L | 1 | J218-947A | C105-236PB |
| TPEAF-166L | 1-1/2 | AE100FLL | C105-236PC |
| TPRAF-174L | 1-1/2 | A100FLL | C105-236PF |
| 230/60/1 | | | |
| TPEAG-167LS | 2 | AE100GLL | C105-236PDA |
| TPRAG-175L | 2 | A100GLL | C105-236PGA |
| TPEAG-168LS | 2-1/2 | AE100G5LL | C105-236PEA |
| 230/60/1 (2 Speed) | | | |
| TPRAYF-174S | 1-1/2 | A100FLL-Y | C105-236PF |
| TPEAYG-175L | 2 | AE100GLL-Y | C105-236PGAB |
| TPEAYG-175LS | 2 | AE100GLL-Y | C105-236PGAB |
| TPEAYG-167LS | 2 | AE100GLL-Y | C105-236PDA |
| TPEAAYG-168L | 2-1/2 | AE100G5LL-Y | C105-236PHA |
| TPEAAYG-168LS | 2-1/2 | AE100G5LL-Y | C105-236PHA |

¹ Models TPEAG-167L, TPEAAG-168L, and TPRAG-167L only.

² Model TPEAE-165L and TPRAE3-165 use Part No. C1-270PC.

³ Models with LS suffix only.

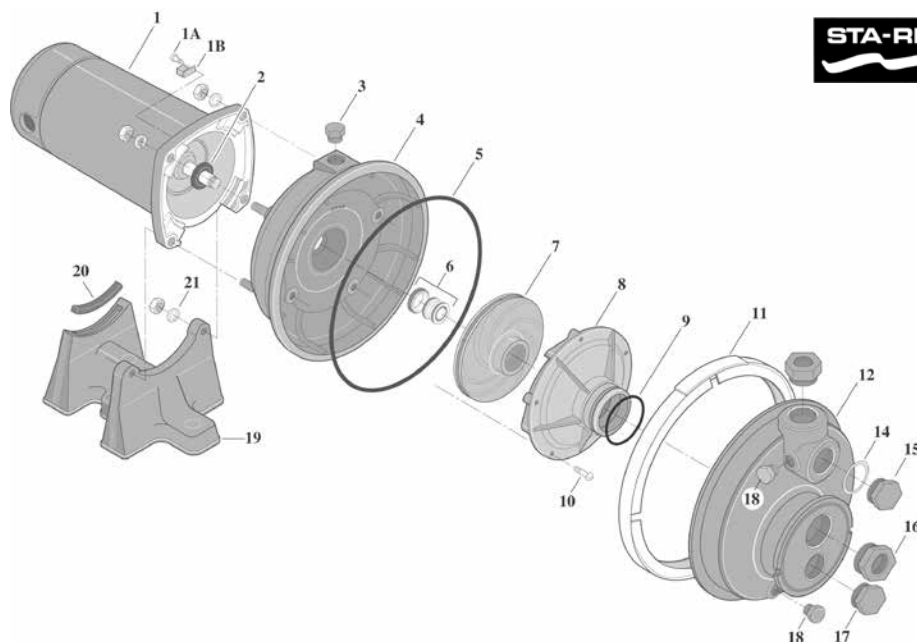
⁴ Replaces C69-24 (effective 9/00).

Note: Pumps and replacement motors that are single speed and one (1) Total HP or greater cannot be sold, offered for sale, or installed in a residential pool for filtration use in California, Title 20 CCR sections 1601-1609.

CALIFORNIA PROPOSITION 65 WARNING

WARNING: Cancer and Reproductive Harm.
AVERTISSEMENT: Peut Causer le Cancer et des Dommages au Système Reproducteur.
ADVERTENCIA: Cáncer y Daño Reproductivo.
www.p65warnings.ca.gov

PLBC SERIES PUMP REPLACEMENT PARTS



| Item | Part No. | Description |
|-------------------------------|-------------|--------------------------------------|
| PLBC REPLACEMENT PARTS | | |
| 1 | A100CHL | Motor 115/230V/60H/1 Ph. |
| 1A | U30-692SS | Screw, 10-32 x 1/2 in. |
| 1B | U17-568 | Lug, Bonding |
| 2 | 17351-0009 | Slinger ¹ |
| 3 | WC78-39T | Pipe Plug, 1/2 in. NPT |
| 4 | L176-47P | Tank Body - Back Half |
| 5 | U9-389 | O-Ring |
| 6 | U109-93SS | Shaft Seal (Pre-1995) |
| 6 | 17351-0102S | Shaft Seal |
| 7 | J105-8PACN | Impeller |
| 8 | J1-40P | Diffuser |
| 9 | U9-199 | O-Ring, Diffuser |
| 10 | U30-542SS | Screw, 10-32 x 7/8 in. |
| 11 | C19-54SS | Clamp, Tank Body |
| 12 | L76-37P | Tank Body - Front Half |
| 14 | L20-40 | Gasket |
| 15 | L23-4P1 | Bushing |
| 16 | U78-123PT | Reducer Bushing, 1-1/4 in. x 3/4 in. |
| 17 | U78-830PT | Pipe Plug, 1 in. NPT |
| 18 | WC78-40T | Pipe Plug, 1/4 in. NPT |
| 19 | C4-42P | Base |
| 20 | C35-11 | Motor Pad |
| 21 | U43-11SS | Lockwasher |
| NOT SHOWN | | |
| | J3-2 | Insert (Pre-1995) |
| | C35-5 | Motor Pad (Pre-1995) |
| | WC78-41T | Pipe Plug, 1/8 in. NPT |

¹ Replaces C69-2 (effective 9/00).

CALIFORNIA PROPOSITION 65 WARNING

▲ **WARNING:** Cancer and Reproductive Harm.
 ▲ **AVERTISSEMENT:** Peut Causer le Cancer et des Dommages au Système Reproducteur.
 ▲ **ADVERTENCIA:** Cáncer y Daño Reproductivo.

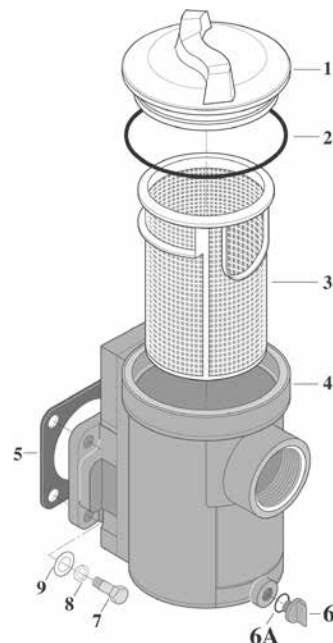
www.p65warnings.ca.gov. PH.202114

PLASTIC SUCTION TRAP ASSEMBLY

PACKAGE NO 161 - 6 IN. REPLACEMENT PARTS

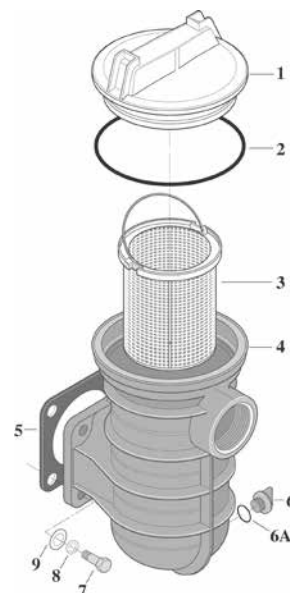


| Item | Part No. | Description |
|--|------------|-------------------------------|
| PKG. 181 6-IN. TRAP REPLACEMENT PARTS | | |
| 1 | 16920-0011 | Lid |
| 2 | 16920-0012 | O-Ring |
| 3 | 16920-0017 | Strainer Basket |
| 4 | C253-58P | Trap and Adapter Assembly |
| 5 | C20-123Z | Gasket |
| 6 | U178-920PZ | Drain Plug, 1/4 in. NPT |
| 6A | U9-359 | O-Ring |
| 7 | U30-64SS | Capscrew, 5/16-18 x 1-1/4 in. |
| 8 | U43-11SS | Lockwasher, 5/16 in. |
| 9 | U43-41SSZ | Washer, 5/16 in. Flat |
| NOT SHOWN | | |
| | U9-285 | Adapter O-Ring |



PACKAGE NO 115 - 5 IN. REPLACEMENT PARTS

| Item | Part No. | Description |
|--|------------|---------------------------------|
| PKG. 115 5-IN. TRAP REPLACEMENT PARTS | | |
| 1 | C3-139P1 | Cover |
| 2 | U9-229Z | O-Ring, Cover |
| 3 | C108-33PZ | Strainer Basket * |
| 4 | C153-53P1 | Trap Body |
| 5 | C20-123Z | Gasket |
| 6 | U178-920PZ | Pipe Plug, 1/4 in. NPT |
| 6A | U9-359 | O-Ring |
| 7 | U30-64SS | Capscrew, 5/16 - 18 x 1-1/4 in. |
| 8 | U43-11SS | Lockwasher |
| 9 | U43-41SSZ | Washer, Flat |
| NOT SHOWN | | |
| | PKG 115 | Complete Suction Trap Assembly |



CALIFORNIA PROPOSITION 65 WARNING
 ⚠️ **WARNING:** Cancer and Reproductive Harm.
 ⚠️ **AVERTISSEMENT:** Peut Causer le Cancer et des Dommages au Système Reproducteur.
 ⚠️ **ADVERTENCIA:** Cáncer y Daño Reproductivo.
www.p65warnings.ca.gov PH 201514

