



# HEATERS & HEAT PUMPS PARTS

Product Catalog 2022



# HEATER MASTER KITS

## REPLACEMENT PARTS



Part No.	Description	Qty.
<b>HEATER MASTER KIT - ALL</b>		
<b>461100</b>	<b>HEATER MASTER KIT - ALL</b>	
32850-0099	"Fireman's Switch Fuse (1.25 amps)"	3
U9-226Z	ORNG #2-226 70 DURO BUNA	2
472610Z	Membrane Pad (NA, LP Series)	1
476223	Ignition Control Module	1
42001-0053S	Thermistor	2
42001-0060S	Water Pressure Switch	1
42001-0061S	Air Flow Switch	1
42001-0063S	High Limit Switch	2
42001-0107S	Transformer, 115/230V	1
461105	Control Board Kit (NA, LP Series)	1
42002-0024S	Stack Flue Sensor	1
42002-0025S	Automatic Gas Shutoff Switch (AGS)	2
77707-0001	Manifold Bypass Valve Kit	1
77707-0010	"Thermal Regulator Kit (Incl. Spring, O-ring, Cap and Spring Clip)"	1
77707-0054	Igniter/Igniter Gasket Kit	1



<b>HEATER MASTER KIT - ELECTRICAL</b>		
<b>461101</b>	<b>HEATER MASTER KIT - ELECTRICAL</b>	
32850-0099	"Fireman's Switch Fuse (1.25 amps)"	3
42001-0053S	Thermistor	2
42001-0060S	Water Pressure Switch	1
42001-0061S	Air Flow Switch	1
42001-0063S	High Limit Switch	2
42002-0024S	Stack Flue Sensor	1
42002-0025S	Automatic Gas Shutoff Switch (AGS)	2
77707-0054	Igniter/Igniter Gasket Kit	1



<b>HEATER MASTER KIT - WATER</b>		
<b>461102</b>	<b>HEATER MASTER KIT - WATER</b>	
42001-0053S	Thermistor	2
42001-0060S	Water Pressure Switch	1
42001-0063S	High Limit Switch	2
42002-0025S	Automatic Gas Shutoff Switch (AGS)	2
77707-0001	Manifold Bypass Valve Kit	1
77707-0010	"Thermal Regulator Kit (Incl. Spring, O-ring, Cap and Spring Clip)"	1

Compatible with Pentair MasterTemp® High Performance Heaters,  
Sta-Rite Max-E-Therm® High Performance Heaters, Models 175/200/250/300/333/400.

Not compatible with 125,000 BTU heater.

Save money by purchasing commonly used replacement parts in one handy, reusable hard case.  
Conveniently refill by ordering individual parts.

# ETI® 400 HEATER

## REPLACEMENT PARTS

Item	Part No.	Description	Item	Part No.	Description
<b>SYSTEM</b>					
1	475978	Fan Control Board	35	475622	Vent Socket
2	475984	Membrane Pad	36	475623	TitanTough Heat Exchanger
3	475985	AGS 150 degree F	37	475624	Burner
4	475987	Air Pressure Switch	38	476000	Combustion Blower Replacement Kit
5	475996	Wire Harness	39	476001	Gas Control Valve Replacement Kit
6	475998	Thermal Fuse (white)	40	38404-4097S	3/4 in. Union
7	475601	Stack Flue Sensor (blue)	41	42001-0063S	High Limit Switch
8	476081Z	Gas Engine Spark Electrodes	42	U178-920PZ	Drain Plug
9	475982	Spark Electrodes Cables	43	476002	Manifold
10	475980	Condensate Assembly/ Float Switch	44	476003	Manifold-Enclosure Fasteners
11	475615	HX and Chimney Gaskets	45	476004	Hold Down Bracket Kit
12	475606	Heat Exchanger Screws	46	476072	Propane Gas Orifice Kit
13	475979	Assembly, Plug 120/240V	47	475975	Control Board
14	475603	Tridicator	48	475976	Ignition Control Module
15	475604	Gas and Air orifices (natural gas)	49	462023	Flame Sensor
16	475973	Heater Gasket Kit	50	476059	Burner Assembly
17	475971	Air Intake Kit	51	476101	Base Door Gas Side
18	475608	Gas Side Panel	52	476102	Base Door Control Side
19	475609	Water Manifold Panel	53	476106	Kit Heat Exchanger Union Adapters
20	475610	Control Board Panel			
21	475611	Latch Assembly			
22	475612	Condensate Neutralizer Kit			
23	475613	Inlet Plumbing Assembly			
24	475614	Outlet Plumbing Assembly			
25	475617	Exhaust Assembly			
26	42001-0056S	Terminal Board			
27	32850-0099	Fireman's Switch Fuse (1.25 amps)			
28	42001-0053S	Thermistor, Water Sensor			
29	42001-0060S	Water Pressure Switch			
30	42001-0107S	Dual Voltage Transformer			
31	475618	Pressure Relief Valve			
32	475619	Control Cover			
33	475620	Vent Cap Exhaust			
34	475621	Water Bypass Assembly			

## CALIFORNIA PROPOSITION 65 WARNING

⚠️ **WARNING:** Cancer and Reproductive Harm.  
 ⚠️ **AVERTISSEMENT:** Peut Causer le Cancer et des Dommages au Système Reproducteur.  
 ⚠️ **ADVERTENCIA:** Cáncer y Daño Reproductivo.  
[www.p65warnings.ca.gov](http://www.p65warnings.ca.gov)

PA12017A1



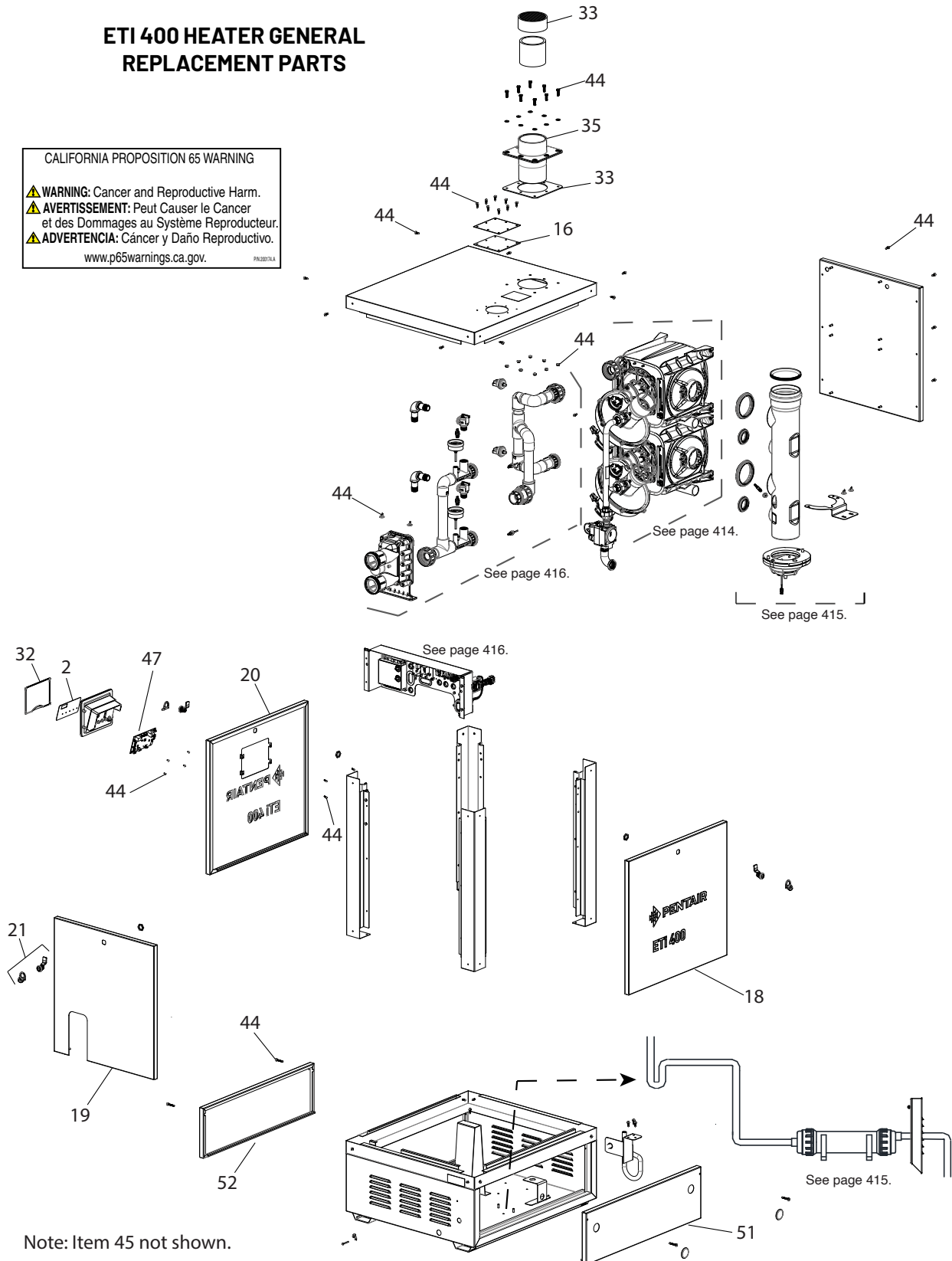
# ETI® 400 HEATER (CONT'D)

## REPLACEMENT PARTS

### ETI 400 HEATER GENERAL REPLACEMENT PARTS

CALIFORNIA PROPOSITION 65 WARNING

⚠ **WARNING:** Cancer and Reproductive Harm.  
 ⚠ **AVERTISSEMENT:** Peut Causer le Cancer et des Dommages au Système Reproducteur.  
 ⚠ **ADVERTENCIA:** Cáncer y Daño Reproductivo.  
 www.p65warnings.ca.gov.



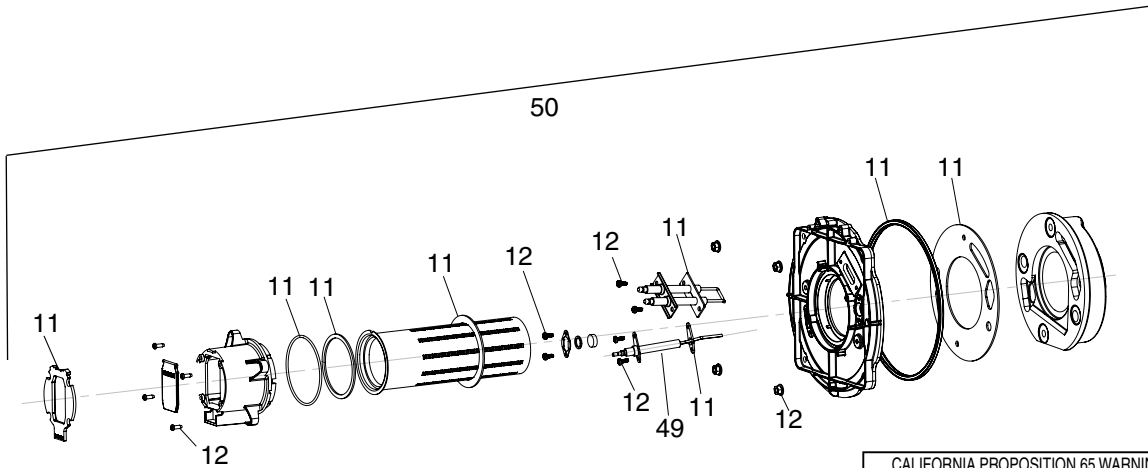
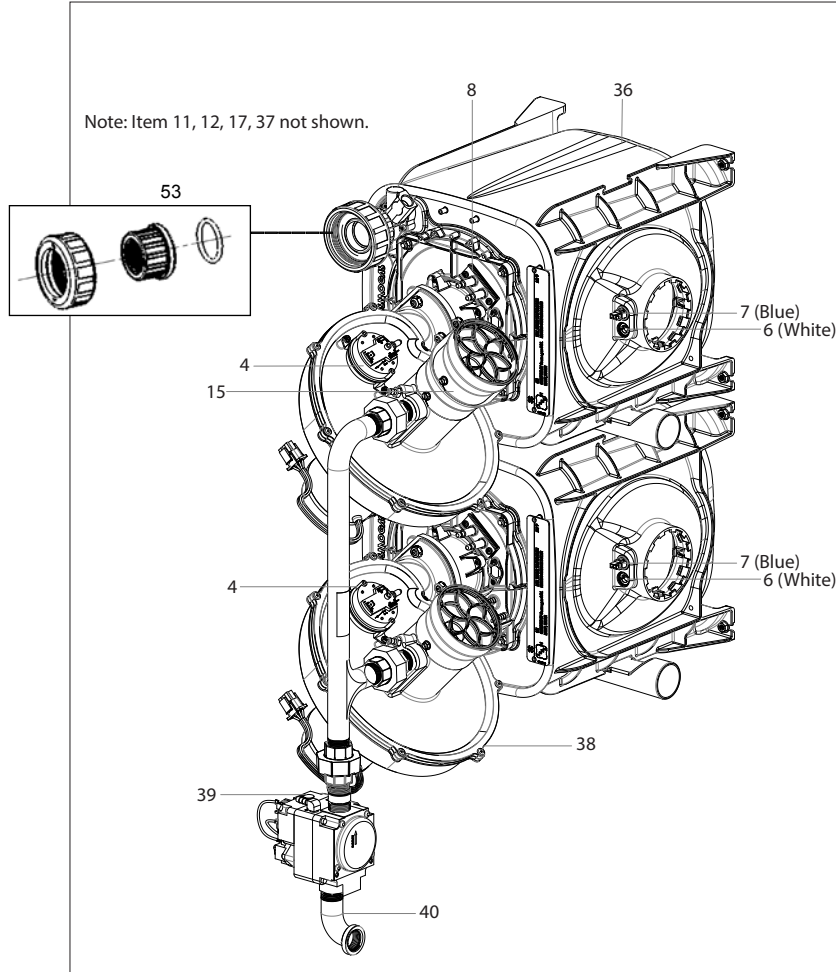
Note: Item 45 not shown.

Product on page 106–107.

# ETI® 400 HEATER (CONT'D)

## REPLACEMENT PARTS

### BURNER SYSTEM REPLACEMENT PARTS



CALIFORNIA PROPOSITION 65 WARNING

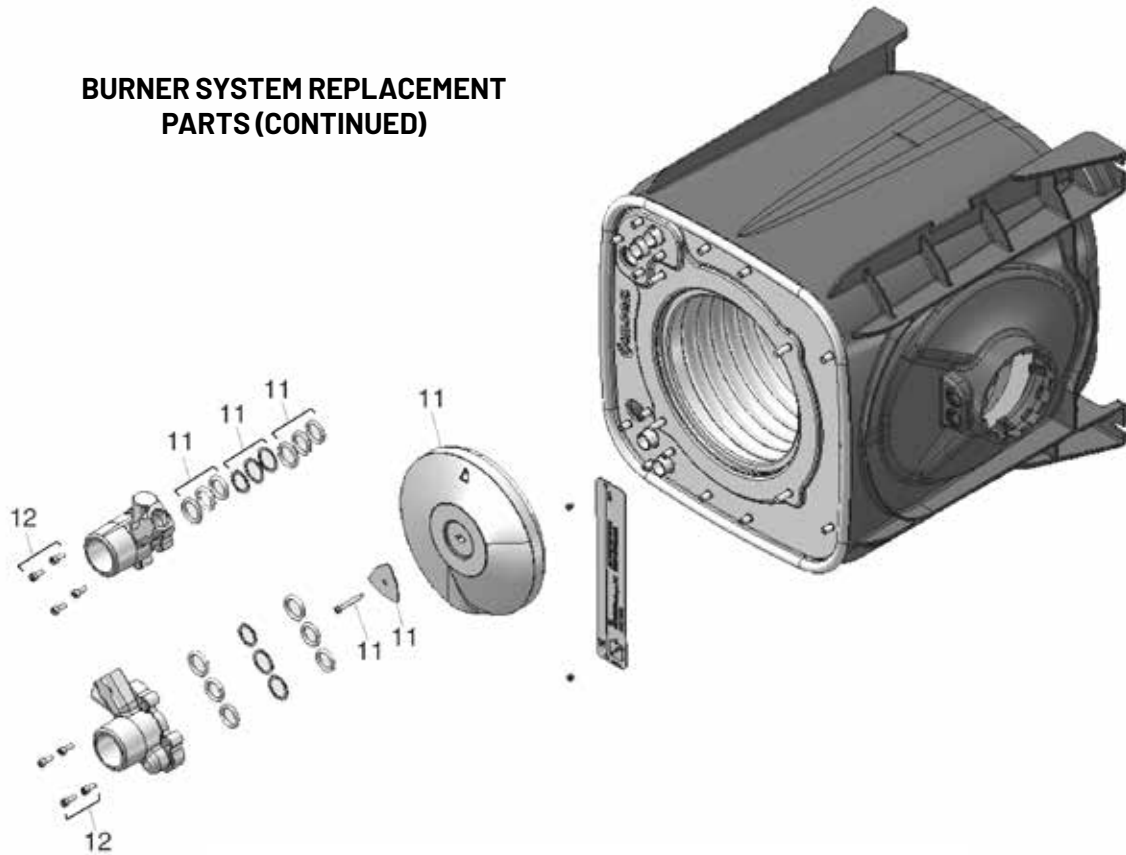
⚠ **WARNING:** Cancer and Reproductive Harm.  
 ⚠ **AVERTISSEMENT:** Peut Causer le Cancer et des Dommages au Système Reproducteur.  
 ⚠ **ADVERTENCIA:** Cáncer y Daño Reproductivo.

www.p65warnings.ca.gov. PH201714

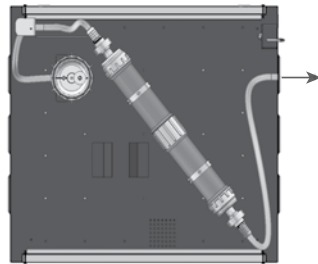
# ETI® 400 HEATER (CONT'D)

## REPLACEMENT PARTS

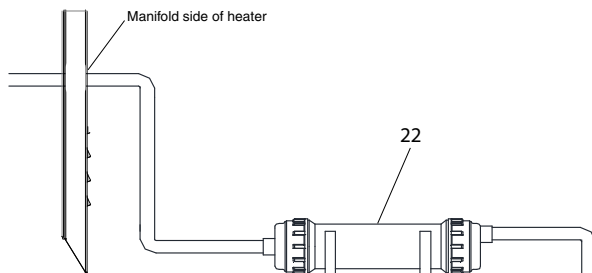
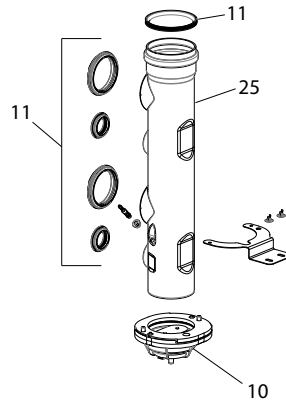
### BURNER SYSTEM REPLACEMENT PARTS (CONTINUED)



### ETI 400 HEATER CONDENSATE ASSEMBLY REPLACEMENT PARTS



Condensate Neutralizer Cartridge (Optional, P/N 475612 sold separately). The cartridge may be mounted to the base of the heater for an outdoor installation.



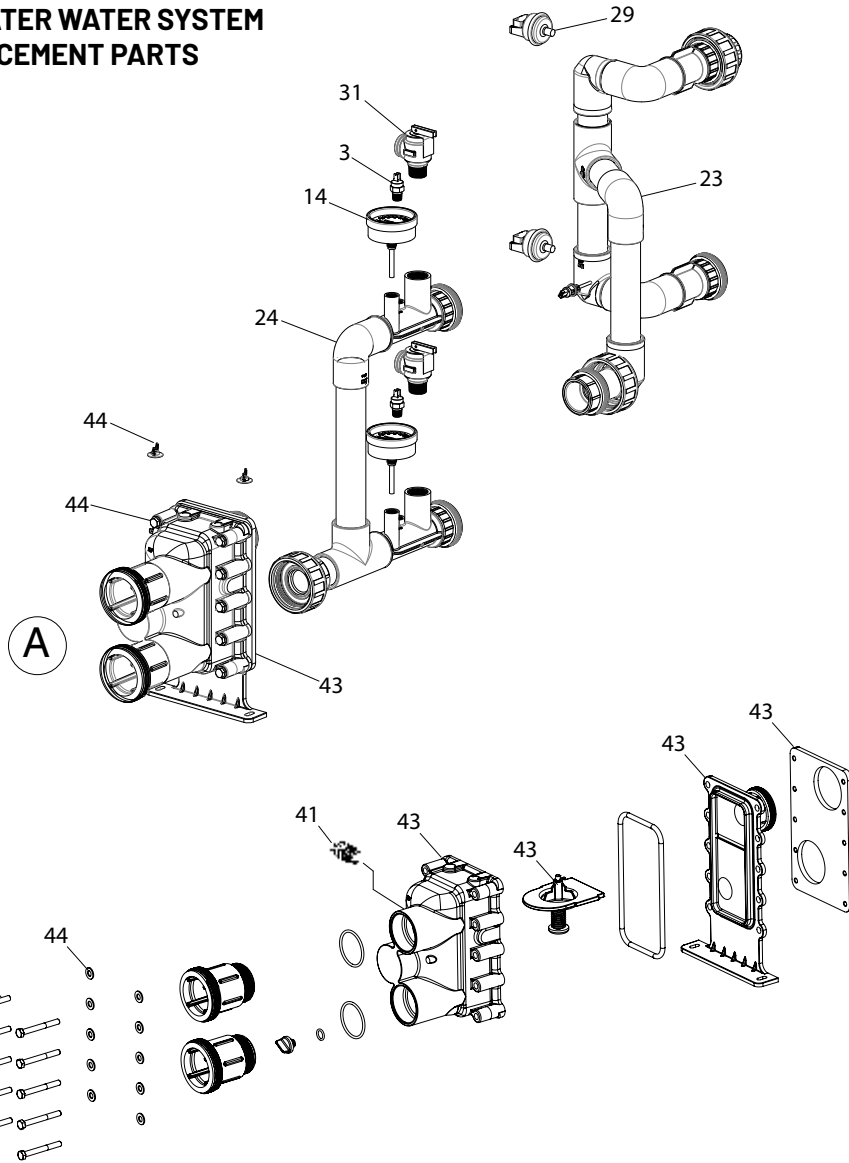
Condensate Neutralizer Cartridge (Optional, P/N 475612 sold separately). The cartridge may be mounted external to the heater for an indoor installation.

CALIFORNIA PROPOSITION 65 WARNING  
 ⚠️ **WARNING:** Cancer and Reproductive Harm.  
 ⚠️ **AVERTISSEMENT:** Peut Causer le Cancer et des Dommages au Système Reproducteur.  
 ⚠️ **ADVERTENCIA:** Cáncer y Daño Reproductivo.  
[www.p65warnings.ca.gov](http://www.p65warnings.ca.gov)

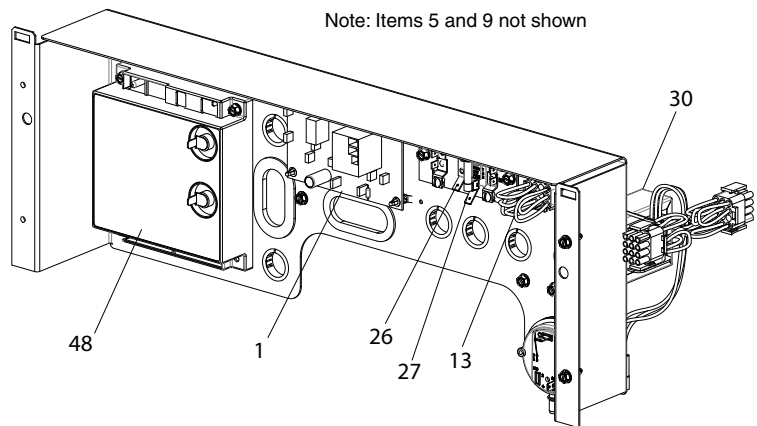
# ETI® 400 HEATER (CONT'D)

## REPLACEMENT PARTS

### ETI 400 HEATER WATER SYSTEM REPLACEMENT PARTS



### OPERATOR CONTROL PANEL ASSEMBLY REPLACEMENT PARTS



CALIFORNIA PROPOSITION 65 WARNING

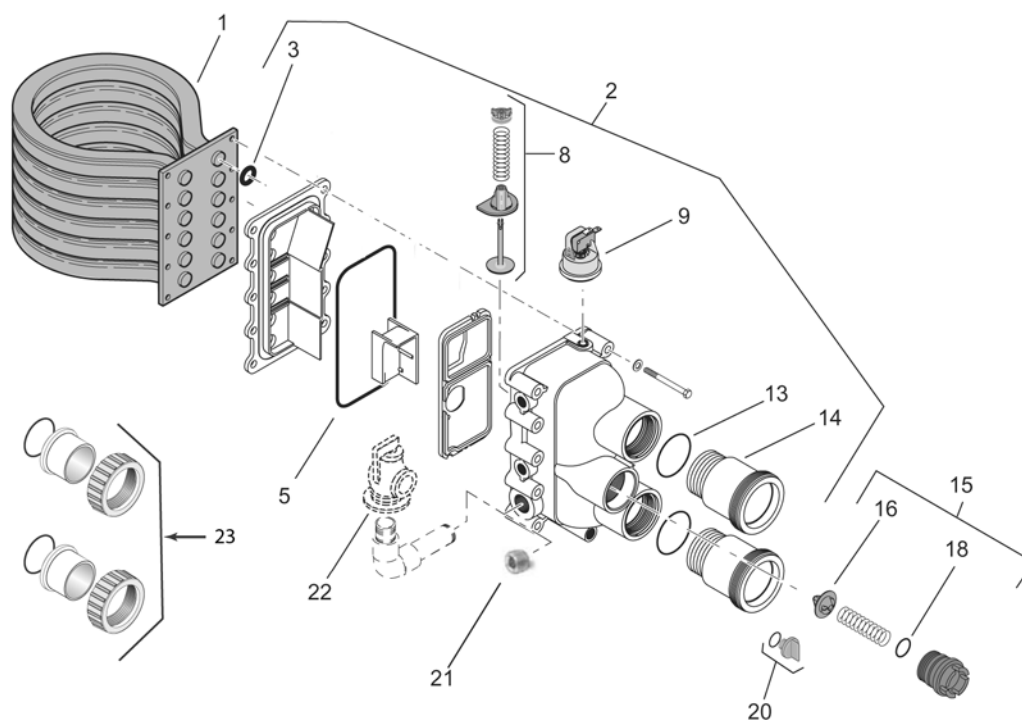
⚠ **WARNING:** Cancer and Reproductive Harm.  
 ⚠ **AVERTISSEMENT:** Peut Causer le Cancer et des Dommages au Système Reproducteur.  
 ⚠ **ADVERTENCIA:** Cáncer y Daño Reproductivo.

www.p65warnings.ca.gov

PH3287XA

# MASTERTEMP® HEATER

## WATER SYSTEM REPLACEMENT PARTS



Item	Part No.	Description
<b>WATER SYSTEM</b>		
1	77707-0232	Tube Sheet Coil Assembly Kit (Includes Item No. 3) Models 175NA, 175LP, 200NA, 200LP
1	474058	Tube Sheet Coil Assembly Kit (Includes Item No. 3) Models 175NA, 175LP, 200NA, 200LP <sup>1</sup>
1	474062	Tube Sheet Coil Assembly Kit (Includes Item No. 3) Model 200HDNA, 200HD-LP
1	460747	Tube Sheet Coil Assembly Kit (Includes Item No. 3) Models 250NA, 250LP
1	474059	Tube Sheet Coil Assembly Kit (Includes Item No. 3) Models 250NA, 250LP <sup>1</sup>
1	77707-0233	Tube Sheet Coil Assembly Kit (Includes Item No. 3) Models 300NA, 300LP
1	474060	Tube Sheet Coil Assembly Kit (Includes Item No. 3) Models 300NA, 300LP <sup>1</sup>
1	77707-0234	Tube Sheet Coil Assembly Kit (Includes Item No. 3) Models 400NA, 400LP
1	474061	Tube Sheet Coil Assembly Kit (Includes Item No. 3) Models 400NA, 400LP <sup>1</sup>
1	77707-0244	Tube Sheet Coil Assembly Kit (Includes Item No. 3) Models 400HDNA, 400HD-LP
1	474065	Tube Sheet Coil Assembly Kit (Includes Item No. 3) Models 400HDNA, 400HD-LP <sup>1</sup>
1	473710	Tube Sheet Coil Assembly Kit - HD Series - (Includes Item No. 3) Models 250HDNA, 250HD-LP
1	474063	Tube Sheet Coil Assembly Kit - HD Series - (Includes Item No. 3) Models 250HDNA, 250HD-LP <sup>1</sup>

<sup>1</sup> For Heaters Manufactured after 1/12/09 (New Tub Design).

Note: Kits include: O-Rings, Insulation, Igniter and Blower Gaskets.

CALIFORNIA PROPOSITION 65 WARNING

▲ **WARNING:** Cancer and Reproductive Harm.  
▲ **AVERTISSEMENT:** Peut Causer le Cancer et des Dommages au Système Reproducteur.  
▲ **ADVERTENCIA:** Cáncer y Daño Reproductivo.

www.p65warnings.ca.gov. PMS207NA

# MASTERTEMP® HEATER (CONT'D)

## WATER SYSTEM REPLACEMENT PARTS

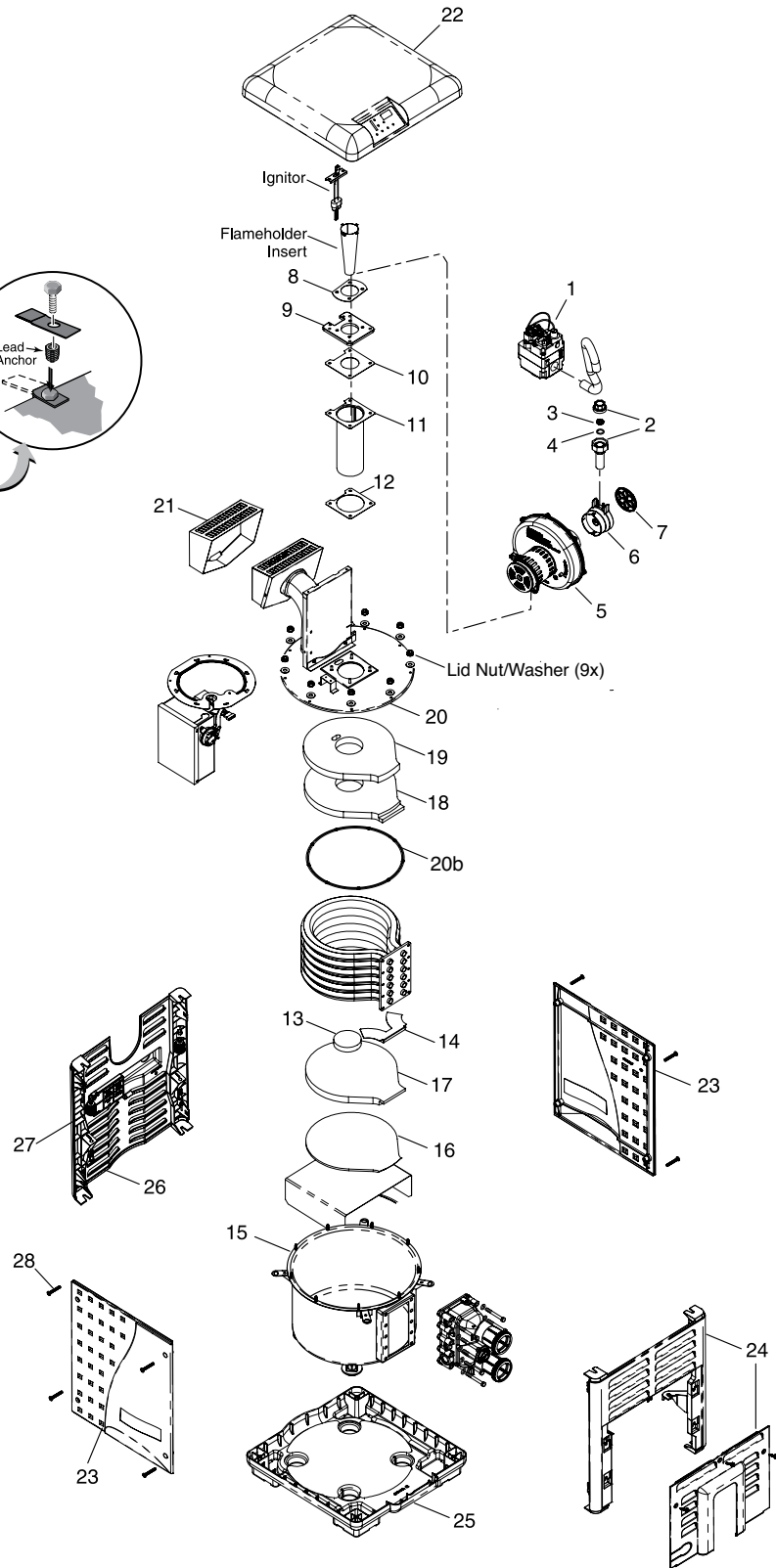
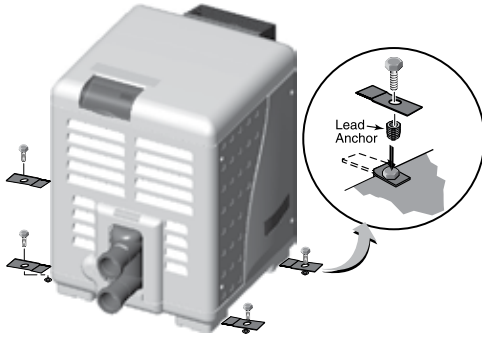
Item	Part No.	Description
<b>WATER SYSTEM</b>		
2	77707-0014	Manifold Kit (Includes Item Nos. 3–14, 21, and Item Nos. 5–7 in “Electrical System” Models 175NA, 175LP, 200NA, 200LP)
2	460748	Manifold Kit (Includes Item Nos. 3–14, 21, and Item Nos. 5–7 in “Electrical System” Models 250NA, 250LP)
2	77707-0015	Manifold Kit (Includes Item Nos. 3–14, 21, and Item Nos. 5–7 in “Electrical System” Models 300NA, 300LP)
2	77707-0016	Manifold Kit (Includes Item Nos. 3–14, 21, and Item Nos. 5–7 in “Electrical System” Models 400NA, 400LP)
2	474200	Basic Manifold Kit (Includes Item Nos. 3, 5, 10–14)
3	77707-0117	Coil/Tubesheet Sealing O-Ring Kit - Models 175NA, 175LP, 200NA, 200LP (6)
3	460749	Coil/Tubesheet Sealing O-Ring Kit - Models 250NA, 250LP (8)
3	77707-0118	Coil/Tubesheet Sealing O-Ring Kit - Models 300NA, 300LP (10)
3	77707-0119	Coil/Tubesheet Sealing O-Ring Kit - Models 400NA, 400LP (12)
8	77707-0001	Manifold Bypass Valve Kit
9	42001-0060S	Water Pressure Switch
9	473716Z	Water Pressure Switch (Old Header Design ASME) <sup>4</sup>
13	U9-226Z	O-Ring
14	77707-0017	Connector Tube Kit (Includes 1 Connector Tube and 1 O-Ring)
15	77707-0010	Thermal Regulator Kit (Incl. Item Nos. 16, 17, 18, 19 and Spring Clip)
16	38000-0007S	Thermal Regulator (Includes Spring Clip)
18	35505-1313	Thermal Regulator Cap O-Ring
20	U178-920PZ	Drain Plug
21	U78-60ZPS	Zinc Plug 428-60 PS
22	473715Z	Pressure Relief Valve
23	PKG 188Z	2 in. Union Adapter Package (Includes 2)
	77707-0120	O-Ring Kit (Incl. Item Nos. 3, 5)
	461102	Pro Service Package - Water Parts (Includes items in a reusable hard case, 8, 9, 15, not shown, Thermistor (2), High Limit Switch (2), AGS Switch (2))

ASME Heater Manufacture Date	Part No.	Description
<b>ASME KITS</b>		
03/24/09 to 11/15/13 Tub Design w/ClampRing (Includes Item No.s 13- 19, 20a, Clamp Assy and Silicone Tube)	472732Z	Heat Exchanger Kit - 200 ASME
	474097	Heat Exchanger Kit - 250 ASME
	474349	Heat Exchanger Kit - 250 ASME HD
	474096	Heat Exchanger Kit - 400 ASME
	474350	Heat Exchanger Kit - 400 ASME HD
11/16/13 to Present (New 9-Bolt Tub Design) (Includes Item No.s 13-19, 20b, Lid, Nut/Washer [9X] and Silicone Tube)	475669	Heat Exchanger Kit - 200 ASME
	474955	Heat Exchanger Kit - 250 ASME
	474954	Heat Exchanger Kit - 250 ASME HD
	474956	Heat Exchanger Kit - 400 ASME
Prior to 10/2012 (Old Header Design)	474953	Heat Exchanger Kit - 400 ASME HD
	460923	ASME Bypass Valve Kit (Old Header Design)
	461007	ASME Bypass Valve Tool Kit (Old Header Design)
10/2012 to Present (New Header Design)	460924	Thermal Regulator Kit (includes Spring Clip, ASME, Old Header Design)
	472648Z	Bypass Access Plug (ASME)
	77707-0001	Manifold Bypass Valve Kit ASME

# MASTERTEMP® HEATER (CONT'D)

## BURNER SYSTEM REPLACEMENT PARTS

For Heater mounting bolts and clamps, purchase separately Bolt Down Bracket Kit, Part No. 460738.



CALIFORNIA PROPOSITION 65 WARNING

⚠ **WARNING:** Cancer and Reproductive Harm.

⚠ **AVERTISSEMENT:** Peut Causer le Cancer et des Dommages au Système Reproducteur.

⚠ **ADVERTENCIA:** Cáncer y Daño Reproductivo.

www.p65warnings.ca.gov



# MASTERTEMP® HEATER (CONT'D)

## BURNER SYSTEM REPLACEMENT PARTS

Item	Part No.	Description	Qty.	Item	Part No.	Description	Qty.
<b>BURNER SYSTEM</b>							
1	42001-0051S	Combination Gas Control Valve Kit	1	77707-0441	Gas Orifice Kit – Propane, Model 400 (Incl. Item Nos. 3 and 4) *	1	
2	38404-4097S	3/4 in. Union	2	460794	NG to Propane Conversion Kit Model 175 (Incl. Item Nos. 3 and 4) *	1	
5	77707-0250	Air Blower Kit – Natural Gas Units (Models 175NA)	1	77707-1461	NG to Propane Conversion Kit Model 200 (Incl. Item Nos. 3 and 4) *	1	
5	77707-0251	Air Blower Kit - Natural Gas Units (Models 200NA)	1	460741	NG to Propane Conversion Kit Model 250 (Incl. Item Nos. 3 and 4) *	1	
5	460743	Air Blower Kit - Natural Gas Units (Models 250NA)	1	460755	NG to Propane Conversion Kit Model 300 (Incl. Item Nos. 3 and 4) *	1	
5	460757	Air Blower Kit - Natural Gas Units (Models 300NA)	1	77707-1441	NG to Propane Conversion Kit Model 400 (Incl. Item Nos. 3 and 4) *	1	
5	77707-0253	Air Blower Kit - Natural Gas Units (Models 400NA)	1	460795	Propane to NG Conversion Kit Model 175 (Incl. Key Nos. 3 and 4) *	1	
5	77707-0254	Air Blower Kit - Propane Units (Models 175LP, 200LP)	1	77707-1431	Propane to NG Conversion Kit Model 200 (Incl. Key Nos. 3 and 4) *	1	
5	460744	Air Blower Kit - Propane Units (Models 250LP)	1	460742	Propane to NG Conversion Kit Model 250 (Incl. Key Nos. 3 and 4) *	1	
5	460758	Air Blower Kit - Propane Units (Models 300LP)	1	460756	Propane to NG Conversion Kit Model 300 (Incl. Key Nos. 3 and 4) *	1	
5	77707-0256	Air Blower Kit - Propane Units (Models 400LP)	1	77707-1411	Propane to NG Conversion Kit Model 400 (Incl. Key Nos. 3 and 4) *	1	
6	See Item #7	Item #6 included in Item #7		77707-0011	Blower/Adapter Plate Gasket Kit (Includes Item Nos. 8, 9, 10, 12)	1	
7	460798	Air Orifice Kit - Model 175 (Includes Item Nos. 6 and 7)	1	77707-0202	Flameholder Kit - Model 175, Model 200 (Includes Item Nos. 10, 11, 12 & 13)	1	
7	77707-0111	Air Orifice Kit - Model 200 (Includes Item Nos. 6 and 7)	1	460746	Flameholder Kit - Model 250 (Includes Item Nos. 10, 11, 12 & 13 and Flameholder insert)	1	
7	460745	Air Orifice Kit - Model 250 (Includes Item Nos. 6 and 7)	1	77707-0203	Flameholder Kit - Model 300 (Includes Item Nos. 10, 11, 12, 13 & Flameholder Insert)	1	
7	460759	Air Orifice Kit - Model 300 (Includes Item Nos. 6 and 7)	1	77707-0204	Flameholder Kit - Model 400 (Includes Item Nos. 10, 11, 12, 13 & Flameholder Insert)	1	
7	77707-0113	Air Orifice Kit - Model 400 (Includes Item Nos. 6 and 7)	1	77707-0008	Insulation Kit (Includes Item Nos. 13, 14, 16, 17, 18, 19)	1	
15	474957	One Piece Metal Chamber/Combustion Chamber Assembly <sup>1</sup>	1	42001-0074S	Lower Enclosure Insulation	1	
20	474958	One Piece Metal Elbow/Combustion Chamber Cover Assembly <sup>1</sup>	1	42001-0214S	Metal Vent Cover Assembly	1	
20b	474952	Tub O-Ring Kit <sup>1</sup>	1	461063	Kit Gas Conversion NA to LP - MT125	1	
21	42002-0005S	Metal Vent Cover	1	461100	Pro Service Package - Master Commonly replaced items in a reusable case		
22	42002-0034Z	Heater Top	1				
23	42002-0039Z	Side Panel (Service Panel) with 4 clips and 4 screws	1				
24	42002-0033Z	Side Panel (Manifold)	1				
25	42002-0031Z	Heater Bottom	1				
26	42002-0032Z	Side Panel (Flue Stack)	1				
27	42002-0041Z	J Box Cover	1				
28	474292	11 ea screws, 11 ea clips and 8 wing-nuts					
<b>NOT SHOWN</b>							
	461002	Gas Orifice Kit - NG, Model 175 (Incl. Item Nos. 3 and 4) *	1				
	77707-0431	Gas Orifice Kit - NG, Model 200 (Incl. Item Nos. 3 and 4) *	1				
	460739	Gas Orifice Kit - NG, Model 250 (Incl. Item Nos. 3 and 4) *	1				
	460753	Gas Orifice Kit - NG, Model 300 (Incl. Item Nos. 3 and 4)	1				
	77707-0411	Gas Orifice Kit - NG, Model 400 (Incl. Item Nos. 3 and 4) *	1				
	460797	Gas Orifice Kit – Propane, Model 175 (Incl. Item Nos. 3 and 4) *	1				
	77707-0461	Gas Orifice Kit – Propane, Model 200 (Incl. Item Nos. 3 and 4) *	1				
	460740	Gas Orifice Kit – Propane, Model 250 (Incl. Item Nos. 3 and 4) *	1				
	460754	Gas Orifice Kit – Propane, Model 300 (Incl. Item Nos. 3 and 4) *	1				

\* Not included with heater. Order separately.

<sup>1</sup> For Heaters Manufactured After 11/16/13 (New 9-bolt lid tub design).

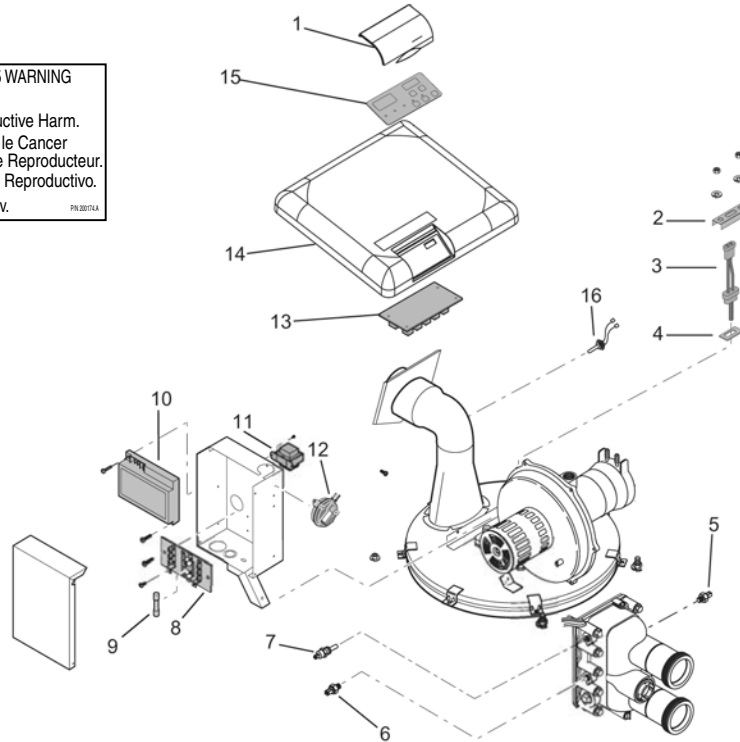
Note: Kits include Clamp Assembly, O-Ring, and Silicone Tube.



# MASTERTEMP® HEATER (CONT'D)

## ELECTRICAL SYSTEM REPLACEMENT PARTS

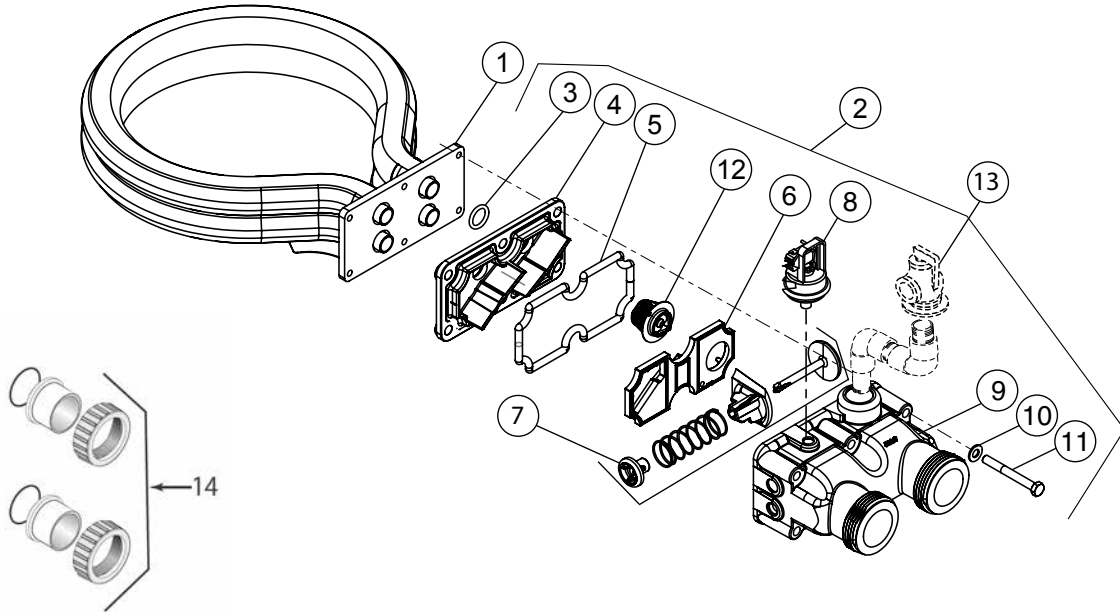
CALIFORNIA PROPOSITION 65 WARNING  
 ⚠️ **WARNING:** Cancer and Reproductive Harm.  
 ⚠️ **AVERTISSEMENT:** Peut Causer le Cancer et des Dommages au Système Reproducteur.  
 ⚠️ **ADVERTENCIA:** Cáncer y Daño Reproductivo.  
[www.p65warnings.ca.gov](http://www.p65warnings.ca.gov) PR 201714



Item	Part No.	Description
<b>ELECTRICAL SYSTEM</b>		
1	42002-0035Z	Heater Display Cover
2	42001-0030S	Igniter Bracket
3	77707-0054	Igniter/Igniter Gasket Kit, Incl. Item Nos. 3 and 4)
4	42001-0066S	Igniter Gasket
5	42002-0025S	Automatic Gas Shutoff Switch (AGS)
6	42001-0063S	High Limit Switch
7	42001-0053S	Thermistor
8	42001-0056S	Terminal Board
9	32850-0099	Fireman's Switch Fuse (1.25A, 1-1/4 in.)
10	476223	Ignition Control Module
11	42001-0107S	Transformer, 115/230V
12	42001-0061S	Air Flow Switch
13	461105	Control Board Kit (NA, LP Series)
14	42002-0034Z	Heater, Top
15	472610Z	Five Button Membrane Keypad - for heaters made before 5/5/2021
15	461106	Six Button Membrane Keypad - For heaters made after 5/6/2021
16	42002-0024S	Stack Flue Sensor
<b>NOT SHOWN</b>		
	461107	Heater Wiring Harness -115/230V
	42001-0105S	120/240 Volt Plug Kit
	461101	Pro Service Package - Electrical System Parts (Includes items in a reusable hardcase, #3, #5 qty(2), #6 qty(2), #7 qty(2), #9 qty(3), #12, #16, not shown water pressure switch)

# MASTERTEMP® 125 HEATER

## WATER SYSTEM REPLACEMENT PARTS



Item	Part No.	Description
<b>WATER SYSTEM</b>		
1	474971	Tube Sheet Coil Assembly Kit - Includes Item #3. (NA, LP Series)
2	474972	Manifold Kit (Includes Item #3, #4, #5, #6, #7, #9, #10, & #11; Item #8 and #13 not included)
3	474973	Coil/Tubesheet Sealing O-Ring Kit
4	474405	Manifold Bottom Plate
5	474406	Manifold O-Ring
6	474407	Manifold Baffle Plate
7	476198	Manifold Bypass Valve
8	42001-0060S	Water Pressure Switch
9		Manifold *
10		5/16" Washer, S.S. *
11		5/16 x 18 x 2-3/4" Hex Cap Screw *
12	474989	Thermal Regulator
13	473715Z	Pressure Relief Valve (Recommended-Purchased Separately)
14	474974	Union 1-1/2" Kit

Note: Kits include: O-Rings, Insulation, Igniter and Blower Gaskets.

\* Not available separately. See item #2.

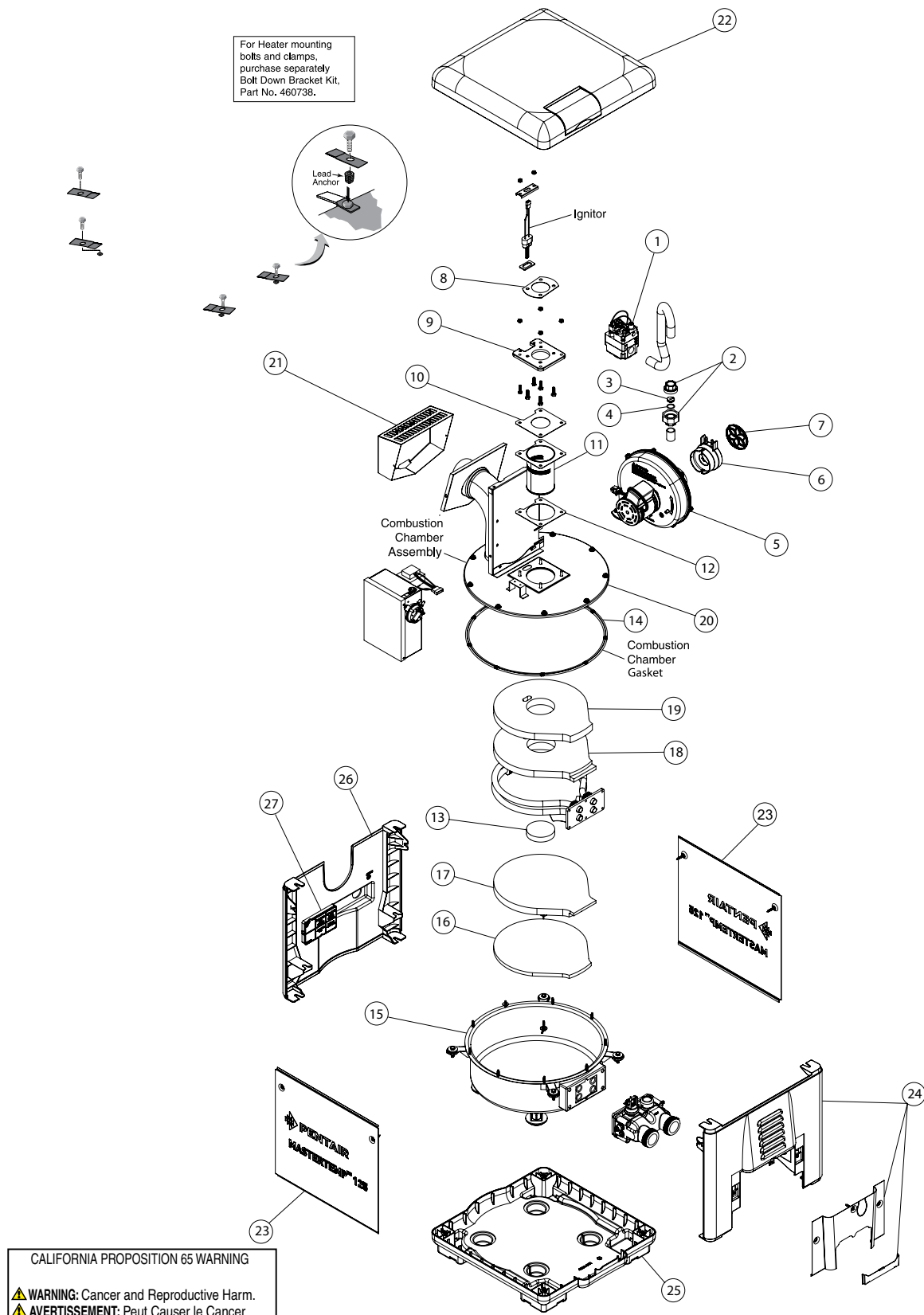
CALIFORNIA PROPOSITION 65 WARNING

⚠ **WARNING:** Cancer and Reproductive Harm.  
 ⚠ **AVERTISSEMENT:** Peut Causer le Cancer et des Dommages au Système Reproducteur.  
 ⚠ **ADVERTENCIA:** Cáncer y Daño Reproductivo.

www.p65warnings.ca.gov. PH20211A

# MASTERTEMP® 125 HEATER (CONT'D)

## BURNER SYSTEM REPLACEMENT PARTS



CALIFORNIA PROPOSITION 65 WARNING

⚠ **WARNING:** Cancer and Reproductive Harm.

⚠ **AVERTISSEMENT:** Peut Causer le Cancer et des Dommages au Système Reproducteur.

⚠ **ADVERTENCIA:** Cáncer y Daño Reproductivo.

[www.p65warnings.ca.gov](http://www.p65warnings.ca.gov)

PH201744

Product on page 110–111.

**MASTERTEMP® 125 HEATER (CONT'D)**

## BURNER SYSTEM REPLACEMENT PARTS

Item	Part No.	Description	Qty.
<b>BURNER SYSTEM</b>			
1	42001-0051S	Combination Gas Control Valve Kit	1
2	38404-4097S	3/4 in. Union	2
5	474978	Air Blower Kit – Natural Gas	1
5	474977	Air Blower Kit - Propane	1
6	474979	Air Orifice Kit (Incl. Item Nos. 6, 7)	1
14	474952	Combustion Chamber Gasket Kit	1
15	474990	One Piece Metal Chamber/Combustion Chamber Assembly	1
20	474958	One Piece Metal Elbow/Combustion Chamber Cover Assembly, 9-Bolt	1
21	42002-0005S	Metal Vent Cover	1
22	42002-0034Z	Heater Top	1
23	474991	Side Panel (Service Panel)	1
24	474992	Side Panel (Manifold)	1
25	42002-0031Z	Heater Bottom	1
26	474993	Side Panel (Flue Stack)	1
27	42002-0041Z	J Box Cover	1
28	474292	11 ea clips, 11 ea screws, 8 wing nuts	1

Item	Part No.	Description	Qty.
<b>NOT SHOWN</b>			
	474981	Gas Orifice Kit - NG (Incl. Item Nos. 3 and 4) **	1
	474980	Gas Orifice Kit - Propane (Incl. Item Nos. 3 and 4) **	1
	461063	NG to Propane Conversion Kit (Incl. Item Nos. 3 and 4) **	1
	461062	Gas Orifice Kit - Propane to NG Conversion Kit (Incl. Item Nos. 3 and 4) **	1
	77707-0011	Blower/Adapter Plate Gasket Kit (Incl. Item Nos. 8, 9, 10, 12)	1
	474994	Flameholder Kit (Incl. Item Nos. 10, 11, 12, 13)	1
	77707-0008	Insulation Kit (Incl. Item Nos. 13, 14, 16, 17, 18, 19)	1
	474845	Direct Air Intake Duct Kit (MasterTemp 125)	1

\* Not available separately.

\*\* Not included with heater. Order separately.

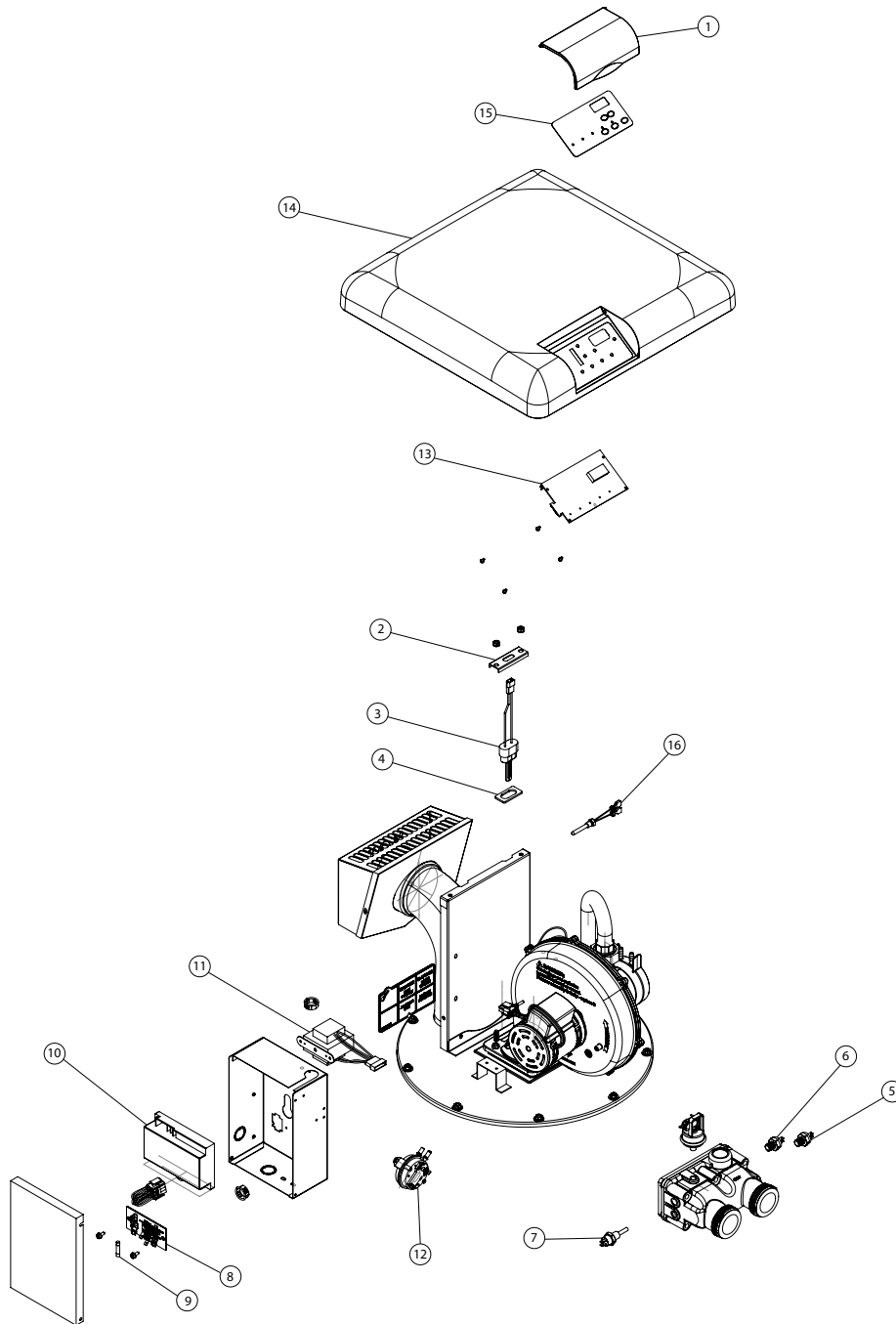
## CALIFORNIA PROPOSITION 65 WARNING

⚠ **WARNING:** Cancer and Reproductive Harm.  
 ⚠ **AVERTISSEMENT:** Peut Causer le Cancer et des Dommages au Système Reproducteur.  
 ⚠ **ADVERTENCIA:** Cáncer y Daño Reproductivo.  
[www.p65warnings.ca.gov](http://www.p65warnings.ca.gov)

PH 201714

# MASTERTEMP® 125 HEATER (CONT'D)

## ELECTRICAL SYSTEM REPLACEMENT PARTS



Product on page 110–111.

CALIFORNIA PROPOSITION 65 WARNING  
⚠ WARNING: Cancer and Reproductive Harm.  
⚠ AVERTISSEMENT: Peut Causer le Cancer et des Dommages au Système Reproducteur.  
⚠ ADVERTENCIA: Cáncer y Daño Reproductivo.  
www.p65warnings.ca.gov. PIR.001714A

**MASTERTEMP® 125 HEATER (CONT'D)**

## ELECTRICAL SYSTEM REPLACEMENT PARTS

Item	Part No.	Description
<b>ELECTRICAL SYSTEM</b>		
1	42002-0035Z	Heater Display Cover
2	42001-0030S	Igniter Bracket
3	77707-0054	Igniter/Igniter Gasket Kit, Incl. Item Nos. 3 and 4)
4	42001-0066S	Igniter Gasket
5	42002-0025S	Automatic Gas Shutoff Switch (AGS)
6	42001-0063S	High Limit Switch
7	42001-0053S	Thermistor
8	42001-0056S	Terminal Board
9	32850-0099	Fireman's Switch Fuse (1.25A, 1-1/4 in.)
10	476223	Ignition Control Module
11	42001-0107S	Transformer, 115/230V
12	42001-0061S	Air Flow Switch
13	461105	Control Board Kit (NA, LP Series)
14	42002-0034Z	Heater, Top
15	472610Z	Five Button Membrane Keypad - for heaters made before 5/5/2021
15	461106	Six Button Membrane Keypad - For heaters made after 5/6/2021
16	42002-0024S	Stack Flue Sensor
<b>NOT SHOWN</b>		
	461107	Heater Wiring Harness -115/230V
	42001-0105S	120/240 Volt Plug Kit

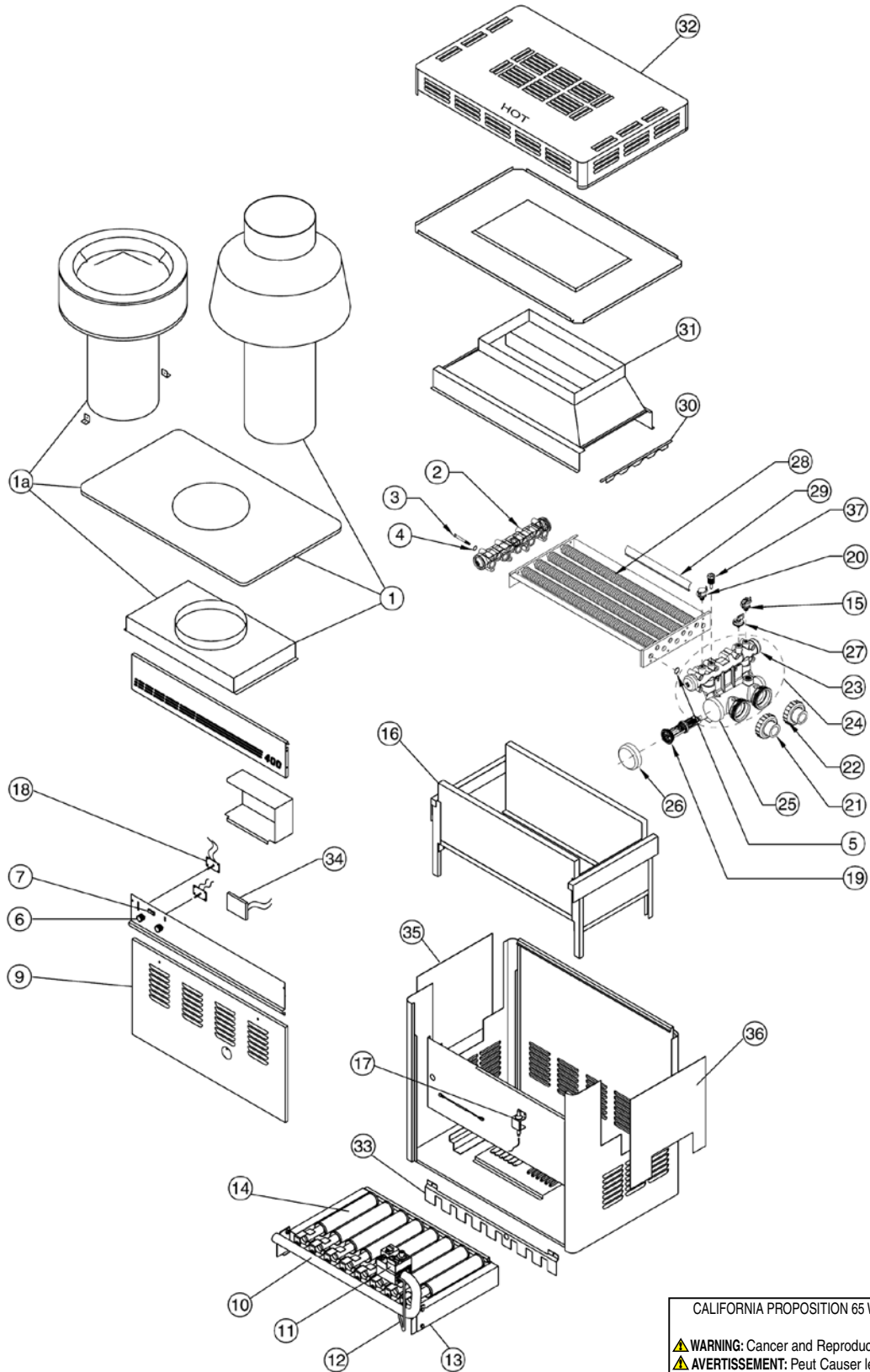
## CALIFORNIA PROPOSITION 65 WARNING

⚠️ **WARNING:** Cancer and Reproductive Harm.  
 ⚠️ **AVERTISSEMENT:** Peut Causer le Cancer  
 et des Dommages au Système Reproducteur.  
 ⚠️ **ADVERTENCIA:** Cáncer y Daño Reproductivo.  
[www.p65warnings.ca.gov](http://www.p65warnings.ca.gov)

PK22071A

# MINIMAX® CH HEATER

## REPLACEMENT PARTS



CALIFORNIA PROPOSITION 65 WARNING  
 ⚠️ WARNING: Cancer and Reproductive Harm.  
 ⚠️ AVERTISSEMENT: Peut Causer le Cancer et des Dommages au Système Reproducteur.  
 ⚠️ ADVERTENCIA: Cáncer y Daño Reproductivo.  
[www.p65warnings.ca.gov](http://www.p65warnings.ca.gov) PH 201714A

## MINIMAX® CH HEATER (CONT'D)

## REPLACEMENT PARTS

Item	Part No.	Mod.	Description	Qty.
<b>VENT KIT ASSEMBLY</b>				
1	460227	150	Indoor	1
1	460228	200	Indoor	1
1	460230	250	Indoor	1
1	460231	300	Indoor	1
1	460233	350	Indoor	1
1	460234	400	Indoor	1
1a	460237	150	Outdoor	1
1a	460222	200	Outdoor	1
1a	460223	250	Outdoor	1
1a	460224	300	Outdoor	1
1a	460225	350	Outdoor	1
1a	460226	400	Outdoor	1
2	471991		Return header assembly <sup>1</sup>	1
3	471622		Bolt, heat exchanger <sup>1</sup>	16
4	072184		Washer 3/8 in. ID 7/8 in. OD <sup>1</sup>	16
5	070951		Tube seal gasket <sup>1</sup>	18
6	470184		Thermostat knob <sup>1</sup>	2
7	470186		Switch, rocker (single pole and double throw) <sup>1</sup>	1
<b>CONTROL PANEL ASSEMBLY, COMPLETE</b>				
9	075468	150	door, millivolt	1
9	075604	200	door, millivolt	1
9	075488	250	door, millivolt	1
9	075605	300	door, millivolt	1
9	075606	350	door, millivolt	1
9	075490	400	door, millivolt	1
10	070256	150	Manifold burner	1
10	075525	200	Manifold burner	1
10	070257	250	Manifold burner	1
10	075526	300	Manifold burner	1
10	075527	350	Manifold burner	1
10	070258	400	Manifold burner	1
11	075457		Gas valve natural, millivolt <sup>1</sup>	1
11	075458		Gas valve propane, millivolt <sup>1</sup>	1
12	076084		Pilot tube, millivolt <sup>2</sup>	1
12	076085		Pilot tube, millivolt <sup>3</sup>	1
12	076086		Pilot tube, millivolt <sup>4</sup>	1
<b>BURNER TRAY ASSEMBLY, COMPLETE</b>				
13	075493	150	natural, millivolt	1
13	075496	200	natural, millivolt	1
13	075494	250	natural, millivolt	1
13	075497	300	natural, millivolt	1
13	075498	350	natural, millivolt	1
13	075495	400	natural, millivolt	1
13	075502	150	Propane, millivolt	1
13	075505	200	Propane, millivolt	1

Item	Part No.	Mod.	Description	Qty.
13	075503	250	Propane, millivolt	1
13	075506	300	Propane, millivolt	1
13	075507	350	Propane, millivolt	1
13	075504	400	Propane, millivolt	1
14	070230		Burner <sup>1,6</sup>	1
14a	470550		Burner with pilot bracket (not shown) <sup>1</sup>	1
15	473605		Pressure switch <sup>1</sup>	1
<b>COMBUSTION CHAMBER ASSEMBLY, COMPLETE</b>				
16	073858	150	Assembly	1
16	075586	200	Assembly	1
16	073857	250	Assembly	1
16	075587	300	Assembly	1
16	075588	350	Assembly	1
16	073856	400	Assembly	1
17	075459		Presslite igniter assembly <sup>1</sup>	1
18	471678		Potentiometer <sup>1</sup>	2
19	471750		Flow valve assembly <sup>1</sup>	1
20	471587		Hi-limit thermostat 115° <sup>1</sup>	1
21	471441		Adaptor, bulkhead, 2 in. <sup>1</sup>	2
22	274440		Adaptor, bulkhead ring <sup>1</sup>	2
23	471993		Main manifold assembly <sup>1</sup>	1
24	471992		Main header assembly <sup>1</sup>	1
25	471419		Main manifold bottom <sup>1</sup>	1
26	471420		Cap, main manifold bottom <sup>1</sup>	1
27	471694		Hi-limit thermostat 150° <sup>1</sup>	1
<b>HEAT EXCHANGER</b>				
28	472131	150	Without heads	1
28	472169	150	With heads	1
28	472132	200	Without heads	1
28	472168	200	With heads	1
28	472167	250	With heads	8
28	472133	250	Without heads	1
28	472134	300	Without heads	1
28	472166	300	With heads	1
28	472135	350	Without heads	1
28	472165	350	With heads	1
28	472136	400	Without heads	1
28	472164	400	With heads	1
29	070277	150	Baffle	1
29	075559	200	Baffle	8
29	070276	250	Baffle	8
29	075560	300	Baffle	8
29	070277	350	Baffle	16
29	070278	400	Baffle	16



# MINIMAX® CH HEATER (CONT'D)

## REPLACEMENT PARTS

Item	Part No.	Mod.	Description	Qty.
30	472329		Baffle hold down, (2 baffles on 400) <sup>1</sup>	1
31	073864	150	Flue collector	1
31	075622	200	Flue collector	1
31	073863	250	Flue collector	1
31	075623	300	Flue collector	1
31	075624	350	Flue collector	1
31	073862	400	Flue collector	1
32	470471	150	Outdoor top assembly	1
32	470472	200	Outdoor top assembly	1
32	470473	250	Outdoor top assembly	1
32	470474	300	Outdoor top assembly	1
32	470475	350	Outdoor top assembly	1
32	470476	400	Outdoor top assembly	1

### LIGHTBACK SHIELD

33	075783	150	Propane gas units only	1
33	075784	200	Propane gas units only	1
33	075785	250	Propane gas units only	1
33	075786	300	Propane gas units only	1
33	075787	350	Propane gas units only	1
33	075788	400	Propane gas units only	1
34	471677		Electronic thermostat kit, millivolt models <sup>1</sup>	1
35	073789		Panel, return <sup>1</sup>	1
36	472127		Panel, in/out <sup>1</sup>	1
37	472101		Thermistor, probe, complete millivolt models <sup>1</sup>	1

### NOT SHOWN

070715			Plastic mounting bracket <sup>1</sup>	
471277			Clips for wire harness <sup>1</sup>	
075511			Wire kit, millivolt <sup>1</sup>	
071703			Screw, 8 x 1/4 in. HH <sup>1</sup>	
071698			Screw, 8 x 1/2 in. HH <sup>1</sup>	
071716			Screw, 6 x 1/4 in. <sup>1</sup>	
071659			Screw, 10-32 x 1/4 in. <sup>1</sup>	
075692			Screw, 10-32 x 3/16 in. <sup>1</sup>	
070551			Bushing 1/2 in. <sup>1</sup>	
470414			Therm knob stopper <sup>1</sup>	2
073725			Bolt, 5/16 in.-18 x 3/4 in. <sup>1</sup>	2

Item	Part No.	Mod.	Description	Qty.
	See pg. 435		Orifice main burner, natural <sup>1,5</sup>	
	See pg. 435		Orifice main burner, propane <sup>1,5</sup>	
	471292		Pilot, natural, millivolt <sup>1</sup>	1
	471291		Pilot, propane, millivolt <sup>1</sup>	1
	071515		Pilot, generator <sup>1</sup>	1
	075173		Thermal cutoff, fusible link <sup>1</sup>	1
	472330		Power element, flow-valve <sup>1</sup>	1
	471293		Pilot rainshield <sup>1</sup>	1
	471328		Pilot electrode (only) <sup>1</sup>	1
	074540		"L" brackets <sup>1</sup>	3
	471271		Bracket adapter Q379 pilot MV <sup>1</sup>	1
	072253		Jumper <sup>1</sup>	1
	471612		Door latch <sup>1</sup>	1
	075461		Electrode Assembly	1

<sup>1</sup> Part No. used in Model Nos., 150, 200, 250, 300, 350, 400.

<sup>2</sup> Part No. used in Model Nos., 150, 200.

<sup>3</sup> Part No. used in Model Nos., 250, 300.

<sup>4</sup> Part No. used in Model Nos., 350, 400.

<sup>5</sup> Qty. = Model N or P 150 (3 ea.), 200 (4 ea.), 250 (5 ea.), 300 (6 ea.), 350 (7 ea.), 400 (8 ea.). For complete orifice requirements, see pages 445.

<sup>6</sup> Qty. = Model 150 (2 ea.), 200 (3 ea.), 250 (4 ea.), 300 (5 ea.), 350 (6 ea.), 400 (7 ea.).

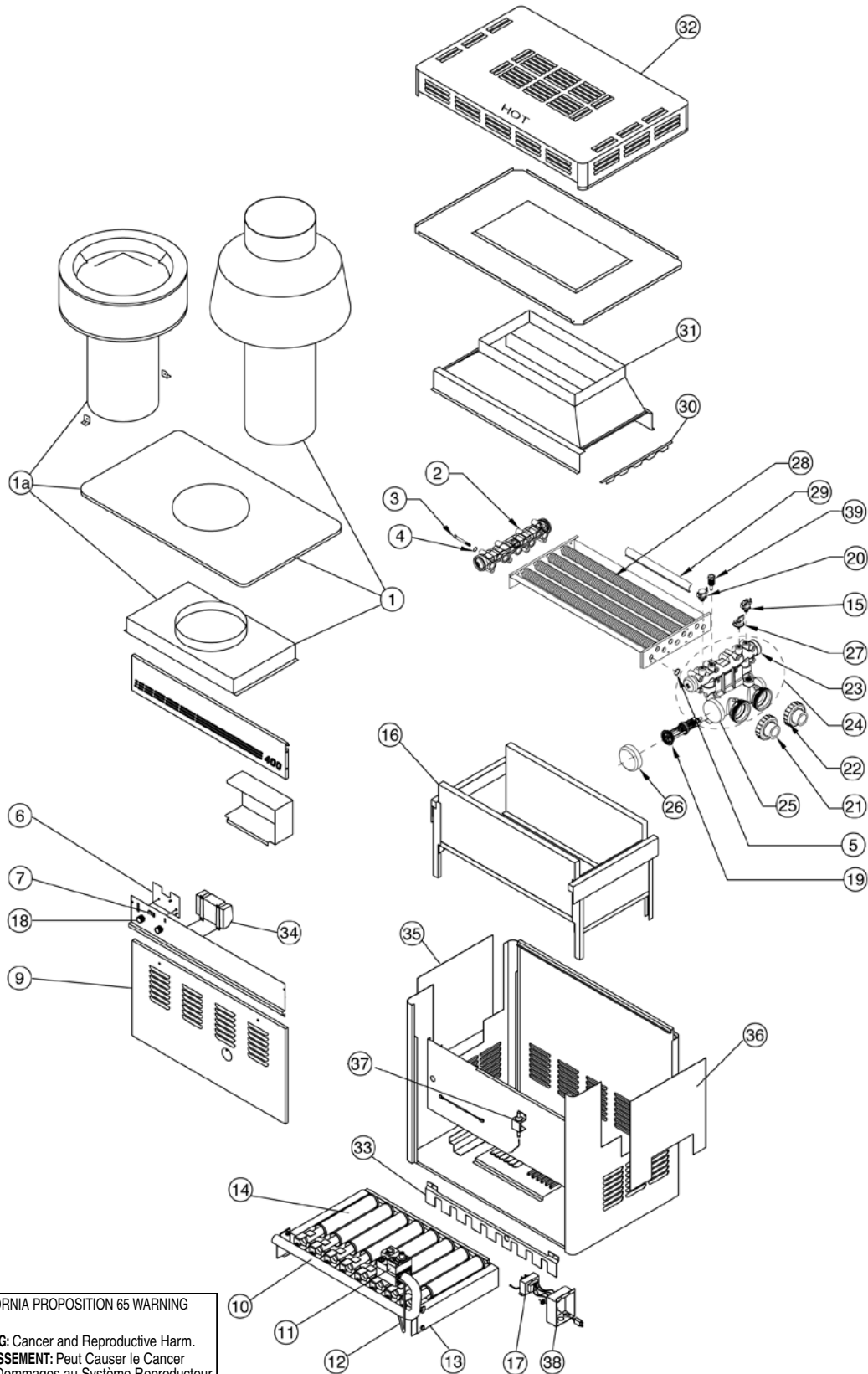
CALIFORNIA PROPOSITION 65 WARNING

▲ **WARNING:** Cancer and Reproductive Harm.  
▲ **AVERTISSEMENT:** Peut Causer le Cancer et des Dommages au Système Reproducteur.  
▲ **ADVERTENCIA:** Cáncer y Daño Reproductivo.

www.p65warnings.ca.gov. PR2007RA

# MINIMAX® CH HEATER, 150 IID MODEL

## REPLACEMENT PARTS



CALIFORNIA PROPOSITION 65 WARNING  
 ⚠️ **WARNING:** Cancer and Reproductive Harm.  
 ⚠️ **AVERTISSEMENT:** Peut Causer le Cancer et des Dommages au Système Reproducteur.  
 ⚠️ **ADVERTENCIA:** Cáncer y Daño Reproductivo.  
[www.p65warnings.ca.gov](http://www.p65warnings.ca.gov) PK32019A.1




# MINIMAX® CH HEATER, 150 IID MODEL (CONT'D)

## REPLACEMENT PARTS

Item	Part No.	Description	Qty.
<b>MINIMAX® CH, 150 IID</b>			
1	460227	Vent kit assembly, indoor	1
1a	460237	Vent kit assembly, outdoor	1
2	471991	Return header assembly	1
3	471622	Bolt, heat exchanger	16
4	072184	Washer 3/8 in. ID 7/8 in. OD	16
5	070951	Tube seal gasket	18
6	470179	Electronic thermostat circuit board, IID Model	1
7	470186	Switch rocker, single pole & double throw	1
9	075468	Door, millivolt or IID	1
10	070256	Manifold burner	1
11	073998	Gas valve natural, IID	1
11	073999	Gas valve propane, IID	1
12	075191	Pilot tube, IID	1
13	073752	Burner tray assembly, natural, complete, IID	1
13	073906	Burner tray assembly, propane, complete, IID	1
14	070230	Burner	2
14a	470550	Burner with pilot bracket, not shown	1
15	473605	Pressure switch	1
16	073858	Combustion chamber assembly, complete	1
17	471360	Transformer, w/ circuit breaker, dual voltage	1
18	470184	Thermostat knob	2
19	471750	Flow valve assembly	1
20	471587	Hi-limit thermostat 115°	1
21	471441	Adaptor, bulkhead, 2 in.	2
22	274440	Adaptor, bulkhead ring	2
23	471993	Main manifold assembly	1
24	471992	Main header assembly	1
25	471419	Main manifold bottom	1
26	471420	Cap, main manifold bottom	1
27	471694	Hi-limit thermostat 150°	1
28	472131	Heat exchanger, without heads	1
28	472169	Heat exchanger, with heads	1
29	070277	Baffle	8
30	472329	Baffle hold down, (2 baffles on 400)	1
31	073864	Flue collector	1
32	470471	Outdoor top assembly	1

Item	Part No.	Description	Qty.
33	075783	Lightback shield (propane gas units only)	1
34	073584	Module natural gas	1
	073585	Module propane gas	1
35	073789	Panel, return	1
36	472127	Panel, in/out	1
37	075459	Ignitor millivolt MMX	1
38	470122	Junction box	1
39	472101	Thermistor Probe MMX CH	1
<b>NOT SHOWN</b>			
	070715	Plastic mounting bracket	
	471277	Clips for wire harness	
	075511	Wire kit, millivolt	
	071703	Screw, 8 x 1/4 in. HH	
	071698	Screw 8 x 1/2 in. HH	
	071716	Screw, 6 x 1/4 in.	
	071659	Screw, 10-32 x 1/4 in.	
	075692	Screw, 10-32 x 3/16 in.	
	070551	Bushing, 1/2 in.	
	470414	Therm knob stopper	2
	073725	Bolt 5/16 in., 18 x 3/4 in.	2
	See pg. 435	Orifice main burner, natural	3
	See pg. 435	Orifice main burner, propane	3
	471292	Pilot, natural, millivolt	1
	471291	Pilot, propane, millivolt	1
	071515	Pilot, generator	1
	075173	Thermal cutoff, fusible link	1
	472330	Power element, flow-valve	1
	471293	Pilot rainshield	1
	471328	Pilot electrode, only	1
	074540	"L" brackets	3
	471271	Bracket adapter Q379 pilot, MV	
	072253	Jumper	
	471612	Door latch	1

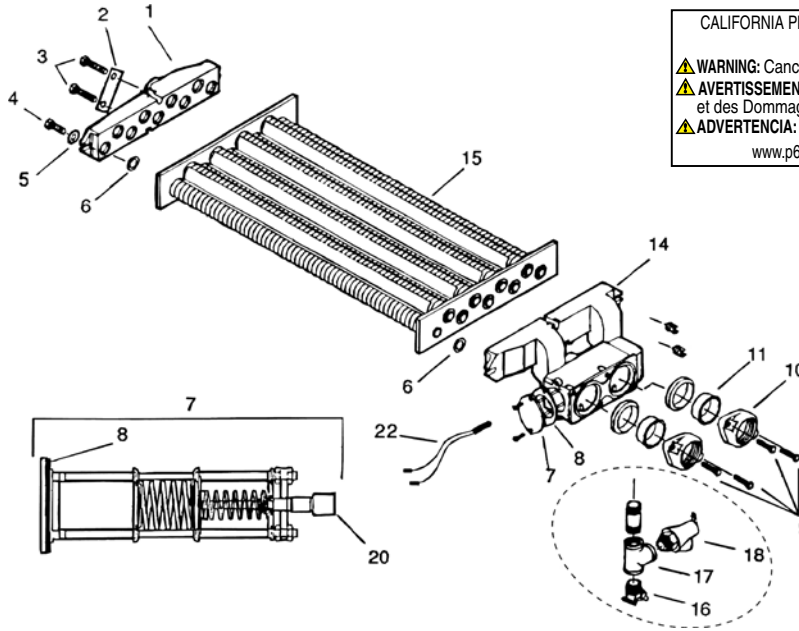
CALIFORNIA PROPOSITION 65 WARNING

 **WARNING:** Cancer and Reproductive Harm.  
 **AVERTISSEMENT:** Peut Causer le Cancer et des Dommages au Système Reproducteur.  
 **ADVERTENCIA:** Cáncer y Daño Reproductivo.

www.p65warnings.ca.gov. PA100174A

# HEAT EXCHANGER

## REPLACEMENT PARTS FOR MINIMAX HEATER MODELS '91 TO 01-97



CALIFORNIA PROPOSITION 65 WARNING  
 ⚠️ **WARNING:** Cancer and Reproductive Harm.  
 ⚠️ **AVERTISSEMENT:** Peut Causer le Cancer et des Dommages au Système Reproducteur.  
 ⚠️ **ADVERTENCIA:** Cáncer y Daño Reproductivo.  
 www.p65warnings.ca.gov. P65017A

Item	Part No.	Description
<b>HEAT EXCHANGER</b>		
1	070994	Return header
2	072180	Bracket washer, 2 req.
3	073739	Bolt, 3/8, 16 x 2 in. plt., 4 req.
4	070416	Bolt, hh. 3/8-16 x 1-1/2 in. SS, 4 req.
5	072180	Washer, 3/8 in. i.d., 1 in. o.d., 4 req.
6	070951	Tube seal gasket, 18 req.
7	471424	Flow valve assembly
8	074015	Gasket flow valve
9	075492	Bolt, 3/8-16 x 2-1/2 in. plt., 4 req.
10	075284	Quick flange kit <sup>1</sup>
10	075283	Flange only
11	070544	Bushing in/out, 2 in. Lexan, 2 req.
12	071895	Sleeve rubber, in/out, 2 in., 2 req.
13	071017	Hi-limit 135/120, 2 req.
14	070985	Main header in/out
15	074452	Assembly, w/o heads 150, 17 lbs.
15	075628	Assembly, w/o heads 200, 20 lbs.
15	074451	Assembly, w/o heads 250, 22 lbs.

Item	Part No.	Description
15	075629	Assembly, w/o heads 300, 25 lbs.
15	075630	Assembly, w/o heads 350, 28 lbs.
15	074074	Assembly, w/o heads 400, 30 lbs.
15	470364	Assembly, w/ heads 150
15	470365	Assembly, w/ heads 200
15	470366	Assembly, w/ heads 250
15	470367	Assembly, w/ heads 300
15	470368	Assembly, w/ heads 350
15	470369	Assembly, w/ heads 400
16	072134	Valve boiler drain 3/4 in.
18	072138	Valve relief, 3/4 in. 50#, ASME or local code
20	472330	Power element
22	070274	Sensor bulb

**NOT SHOWN**

075285 Assembly bag quick flange ASME heaters

<sup>1</sup> Includes quick flange unit, (4) bolts, (4) washers, (2) 2 in. bushings, (2) 1-1/2 in. bushings, (2) sleeves.

# MINIMAX® HEATER VENT KITS AND ACCESSORIES

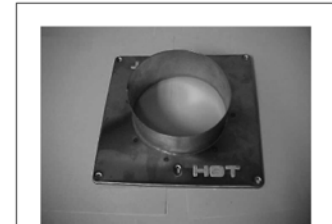
## FOR MINIMAX HEATERS

### Ordering Information

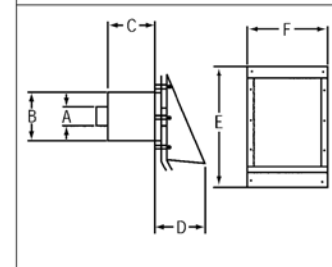
Product	Used On	For Heater Size
<b>OUTDOOR VENT KITS</b>		
471357	SPA	75/100
460237	CH	150
460222	CH	200
460223	CH	250
460224	CH	300
460225	CH	350
460226	CH	400
460424	All NT Models	All Sizes
<b>INDOOR VENT KITS</b>		
471187	SPA	75/100
460227	CH	150
460228	CH	200
460230	CH	250
460231	CH	300
460233	CH	350
460234	CH	400
460506	All NT Models	All BTU sizes 4-inch dia. Vent
460507	All NT Models	All BTU sizes 5-inch dia. Vent



Outdoor Vent Kit for MiniMax Heater

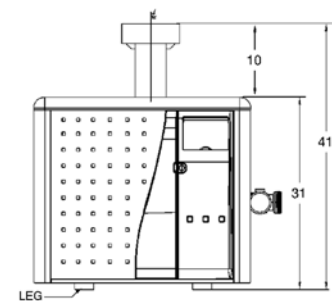


Indoor Vent Adaptors



### Dimensions and Performance

Product	Heater Model	Dim. A	Dim. B	Dim. C	Dim. D	Dim. E	Dim. F
<b>THROUGH WALL VENT KITS</b>							
471532	4-inch Dia NT	4	6	8.5	6.312	12.625	10.625
471543	5-inch Dia NT	5	8	8.5	8	12.625	10.625



Contact Factory for proper installation on older MiniMax Heater Models.

See Engineering Data pages 573–584 for information on selecting the proper size heater and for heater gas supply and pipe sizing information.

CALIFORNIA PROPOSITION 65 WARNING

⚠ **WARNING:** Cancer and Reproductive Harm.  
 ⚠ **AVERTISSEMENT:** Peut Causer le Cancer et des Dommages au Système Reproducteur.  
 ⚠ **ADVERTENCIA:** Cáncer y Daño Reproductivo.

[www.p65warnings.ca.gov](http://www.p65warnings.ca.gov)




P65-2017-1-A

## AIR PRESSURE SWITCHES

Part No.	Model	Fuel	Size	Elevation	Air Pressure Switch		
					Part No.	Color	Setting
<b>AIR PRESSURE SWITCH</b>							
460534	NT STD	Nat	200	0-2999	472678Z	White	0.40
460563	NT STD	Nat	200	3000-5999	472325	Blue	0.35
460427	NT STD	Nat	200	6000-9999	472325	Blue	0.35
460533	NT STD	Nat	250	0-2999	472181	Orange	0.75
460557	NT STD	Nat	250	3000-5999	472180	Green	0.65
460428	NT STD	Nat	250	6000-9999	472326	White	0.55
460532	NT STD	Nat	300	0-2999	472327	Gray	0.80
460551	NT STD	Nat	300	3000-5999	472180	Green	0.65
460429	NT STD	Nat	300	6000-9999	472326	White	0.55
460531	NT STD	Nat	400	0-2999	472183	Violet	1.35
460545	NT STD	Nat	400	3000-5999	472328	Pink	1.05
460430	NT STD	Nat	400	6000-9999	472328	Pink	1.05
460561	NT STD ASME	Nat	200	0-2999	472178	White	0.40
460565	NT STD ASME	Nat	200	3000-5999	472325	Blue	0.35
460447	NT STD ASME	Nat	200	6000-9999	472325	Blue	0.35
460555	NT STD ASME	Nat	250	0-2999	472181	Orange	0.75
460559	NT STD ASME	Nat	250	3000-5999	472180	Green	0.65
460448	NT STD ASME	Nat	250	6000-9999	472326	White	0.55
460549	NT STD ASME	Nat	300	0-2999	472327	Gray	0.80
460553	NT STD ASME	Nat	300	3000-5999	472180	Green	0.65
460449	NT STD ASME	Nat	300	6000-9999	472326	White	0.55
460543	NT STD ASME	Nat	400	0-2999	472183	Violet	1.35
460547	NT STD ASME	Nat	400	3000-5999	472328	Pink	1.05
460450	NT STD ASME	Nat	400	6000-9999	472328	Pink	1.05
460538	NT STD	LP	200	0-2999	472178	White	0.40
460564	NT STD	LP	200	3000-5999	472325	Blue	0.35
460439	NT STD	LP	200	6000-9999	472325	Blue	0.35
460537	NT STD	LP	250	0-2999	472181	Orange	0.75
460558	NT STD	LP	250	3000-5999	472180	Green	0.65
460440	NT STD	LP	250	6000-9999	472326	White	0.55
460536	NT STD	LP	300	0-2999	472327	Gray	0.80
460552	NT STD	LP	300	3000-5999	472180	Green	0.65
460441	NT STD	LP	300	6000-9999	472326	White	0.55
460535	NT STD	LP	400	0-2999	472183	Violet	1.35
460546	NT STD	LP	400	3000-5999	472328	Pink	1.05
460442	NT STD	LP	400	6000-9999	472328	Pink	1.05
460562	NT STD ASME	LP	200	0-2999	472178	White	0.40
460566	NT STD ASME	LP	200	3000-5999	472325	Blue	0.35
460443	NT STD ASME	LP	200	6000-9999	472325	Blue	0.35
460556	NT STD ASME	LP	250	0-2999	472181	Orange	0.75
460560	NT STD ASME	LP	250	3000-5999	472180	Green	0.65
460444	NT STD ASME	LP	250	6000-9999	472326	White	0.55
460550	NT STD ASME	LP	300	0-2999	472327	Gray	0.80
460554	NT STD ASME	LP	300	3000-5999	472180	Green	0.65
460445	NT STD ASME	LP	300	6000-9999	472326	White	0.55
460544	NT STD ASME	LP	400	0-2999	472183	Violet	1.35
460548	NT STD ASME	LP	400	3000-5999	472328	Pink	1.05
460446	NT STD ASME	LP	400	6000-9999	472328	Pink	1.05
460540	NT Lonox	Nat	200	0-2999	472178	Red	0.22
460568	NT Lonox	Nat	200	3000-5999	472324	L. Blue	0.18
460431	NT Lonox	Nat	200	6000-9999	472324	L. Blue	0.18
460576	NT Lonox	Nat	250	0-2999	472180	Green	0.65

Part No.	Model	Fuel	Size	Elevation	Air Pressure Switch		
					Part No.	Color	Setting
460569	NT Lonox	Nat	250	3000-5999	472326	White	0.55
460432	NT Lonox	Nat	250	6000-9999	472326	White	0.55
460539	NT Lonox	Nat	300	0-2999	472181	Orange	0.75
460570	NT Lonox	Nat	300	3000-5999	472180	Green	0.65
460433	NT Lonox	Nat	300	6000-9999	472326	White	0.55
460577	NT Lonox	Nat	400	0-2999	472182	Yellow	0.95
460571	NT Lonox	Nat	400	3000-5999	472327	Gray	0.80
460434	NT Lonox	Nat	400	6000-9999	472181	Orange	0.75
460541	NT Lonox ASME	Nat	200	0-2999	472178	Red	0.22
460572	NT Lonox ASME	Nat	200	3000-5999	472324	L. Blue	0.18
460451	NT Lonox ASME	Nat	200	6000-9999	472324	L. Blue	0.18
460510	NT Lonox ASME	Nat	250	0-2999	472180	Green	0.65
460573	NT Lonox ASME	Nat	250	3000-5999	472326	White	0.55
460452	NT Lonox ASME	Nat	250	6000-9999	472326	White	0.55
460542	NT Lonox ASME	Nat	300	0-2999	472181	Orange	0.75
460574	NT Lonox ASME	Nat	300	3000-5999	472180	Green	0.65
460465	NT Lonox ASME	Nat	300	6000-9999	472326	White	0.55
460511	NT Lonox ASME	Nat	400	0-2999	472182	Yellow	0.95
460575	NT Lonox ASME	Nat	400	3000-5999	472327	Gray	0.80
460466	NT Lonox ASME	Nat	400	6000-9999	472181	Orange	0.75
460720	NT TSI	Nat	200	0-2999	472178	Red	0.22
460724	NT TSI	Nat	200	3000-5999	472178	Red	0.22
460435	NT TSI	Nat	200	6000-9999	472324	L. Blue	0.18
460721	NT TSI	Nat	250	0-2999	472179	Brown	0.45
460725	NT TSI	Nat	250	3000-5999	472179	Brown	0.45
460436	NT TSI	Nat	250	6000-9999	472325	Blue	0.35
460722	NT TSI	Nat	300	0-2999	472182	Yellow	0.95
460726	NT TSI	Nat	300	3000-5999	472327	Gray	0.80
460437	NT TSI	Nat	300	6000-9999	472181	Orange	0.75
460723	NT TSI	Nat	400	0-2999	472182	Yellow	0.95
460727	NT TSI	Nat	400	3000-5999	472327	Gray	0.80
460438	NT TSI	Nat	400	6000-9999	472181	Orange	0.75
460412	NT TSI ASME	Nat	200	0-2999	472178	Red	0.22
460416	NT TSI ASME	Nat	200	3000-5999	472178	Red	0.22
460467	NT TSI ASME	Nat	200	6000-9999	472324	L. Blue	0.18
460413	NT TSI ASME	Nat	250	0-2999	472179	Brown	0.45
460417	NT TSI ASME	Nat	250	3000-5999	472179	Brown	0.45
460468	NT TSI ASME	Nat	250	6000-9999	472325	Blue	0.35
460414	NT TSI ASME	Nat	300	0-2999	472182	Yellow	0.95
460418	NT TSI ASME	Nat	300	3000-5999	472327	Gray	0.80
460469	NT TSI ASME	Nat	300	6000-9999	472181	Orange	0.75
460415	NT TSI ASME	Nat	400	0-2999	472182	Yellow	0.95
460419	NT TSI ASME	Nat	400	3000-5999	472327	Gray	0.80
460470	NT TSI ASME	Nat	400	6000-9999	472181	Orange	0.75

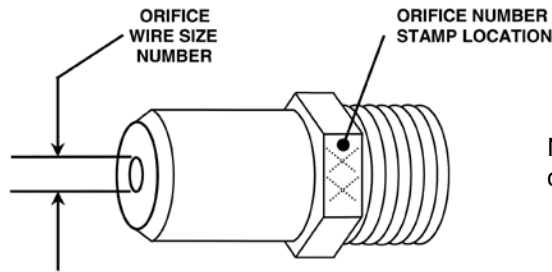
## CALIFORNIA PROPOSITION 65 WARNING

 **WARNING:** Cancer and Reproductive Harm.  
 **AVERTISSEMENT:** Peut Causer le Cancer et des Dommages au Système Reproducteur.  
 **ADVERTENCIA:** Cáncer y Daño Reproductivo.  
[www.p65warnings.ca.gov](http://www.p65warnings.ca.gov)

P65-2011-13

# BURNER ORIFICE CHART

## FOR MINIMAX HEATERS



Note: Some Models may have a different configuration of the orifice.

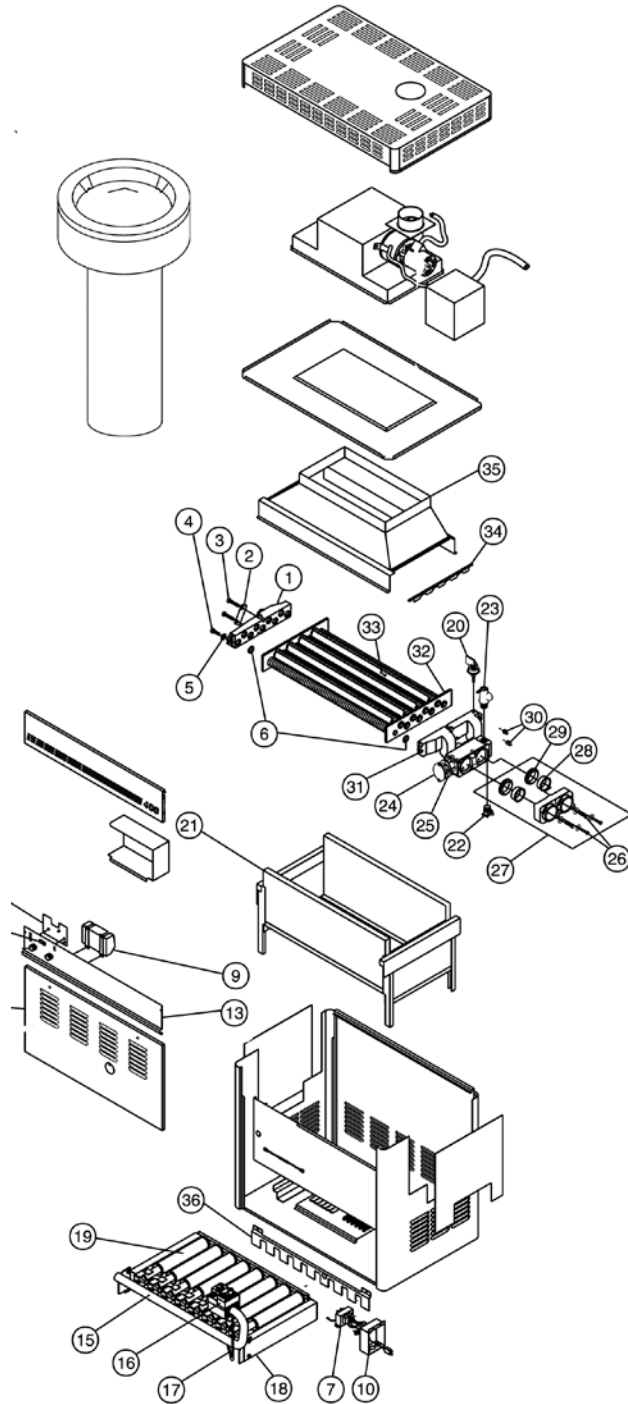
MiniMax Model Used on	Gas Type	Specified Altitude	Part No.	Orifice No.	Orifice Dia.	Color
<b>NATURAL GAS HEATER ORIFICE CHART</b>						
NT STD	NA	0–2999 ft.	073727	30	.1285	Green
NT STD	NA	3000–5999 ft.	472569	1/8	.1250	No Color
NT STD	NA	6000–9999 ft.	071466	31	.1200	No Color
NT STD	NA	10,000 (+) ft.	071467	32	.1160	No Color
NT LN	NA	0–2999 ft.	471984	1/8	.1250	No Color
NT LN	NA	3000–5999 ft.	471985	31	.1200	No Color
NT LN	NA	6000–9999 ft.	471985	31	.1200	No Color
NT LN	NA	10,000 (+) ft.	471986	32	.1160	No Color
NT TSI	NA	0–2999 ft.	472434	23	.1540	No Color
NT TSI	NA	3000–5999 ft.	472496	25	.1495	No Color
NT TSI	NA	6000–9999 ft.	472263	26	.1470	No Color
NT TSI	NA	10,000 (+) ft.	472264	27	.1440	No Color
CH	NA	0–2999 ft.	073727	30	.1285	Green
CH	NA	3000–5999 ft.	472569	1/8	.1250	No Color
CH	NA	6000–9999 ft.	071466	31	.1200	No Color
CH	NA	10,000 (+) ft.	071467	32	.1160	No Color
Commercial	NA	0–2999 ft.	470656	20	.1610	No Color
Commercial	NA	3000–5999 ft.	471975	23	.1540	No Color
Commercial	NA	6000–9999 ft.	470777	24	.1520	No Color
Commercial	NA	10,000 (+) ft.	471974	26	.1470	No Color
<b>PROPANE GAS HEATER ORIFICE CHART</b>						
NT STD	LP	0–2999 ft.	073728	45	.0820	Red
NT STD	LP	3000–5999 ft.	071461	47	.0785	No Color
NT STD	LP	6000–9999 ft.	071462	48	.0760	No Color
NT STD	LP	10,000 (+) ft.	471973	49	.0730	No Color
CH	LP	0–2999 ft.	073728	45	.0820	Red
CH	LP	3000–5999 ft.	071461	47	.0785	No Color
CH	LP	6000–9999 ft.	071462	48	.0760	No Color
CH	LP	10,000 (+) ft.	471973	49	.0730	No Color

CALIFORNIA PROPOSITION 65 WARNING  
 ⚠️ **WARNING:** Cancer and Reproductive Harm.  
 ⚠️ **AVERTISSEMENT:** Peut Causer le Cancer et des Dommages au Système Reproducteur.  
 ⚠️ **ADVERTENCIA:** Cáncer y Daño Reproductivo.  
[www.p65warnings.ca.gov](http://www.p65warnings.ca.gov) PK201714



# POWERMAX® HEATER

## REPLACEMENT PARTS



### OPTIONAL OUTDOOR VENT

471395	Models 150, 200	CALL	CALL
471396	Models 250, 400	CALL	CALL

#### CALIFORNIA PROPOSITION 65 WARNING

⚠ **WARNING:** Cancer and Reproductive Harm.  
 ⚠ **AVERTISSEMENT:** Peut Causer le Cancer et des Dommages au Système Reproducteur.  
 ⚠ **ADVERTENCIA:** Cáncer y Daño Reproductivo.  
[www.p65warnings.ca.gov](http://www.p65warnings.ca.gov)

Item	Part No.	Mod.	Description	Qty.
<b>POWERMAX® HEATER</b>				
1	070994		Return header <sup>1</sup>	1
2	074216		Bracket washer <sup>1</sup>	2
3	073739		Bolt, hh. 3/8 in. x 2 in. <sup>1</sup>	4
4	070416		Bolt, 3/8, 16 x 1-1/2 in. <sup>1</sup>	4
5	072180		Washer 3/8 in. i.d., 1 in. o.d. <sup>1</sup>	4
6	070951		Tube seal gasket <sup>1</sup>	18
7	471360		Transformer w/ circuit breaker, dual voltage <sup>1</sup>	1
8	470179		Electronic thermostat circuit board, IID models <sup>1</sup>	1
9	073584		Module natural gas <sup>1</sup>	1
9	073585		Module propane gas <sup>1</sup>	1
10	470122		Junction box, IID units <sup>1</sup>	1
11	470184		Thermostat knob <sup>1</sup>	2
12	470186		Switch rocker, sngl. pole & dbl. throw <sup>1</sup>	1
<b>CONTROL PANEL ASSEMBLY, COMPLETE</b>				
14	075468	150	Door, IID	1
14	075604	200	Door, IID	1
14	075488	250	Door, IID	1
14	075606	350	Door, IID	1
14	075490	400	Door, IID	1
15	070256	150	Manifold burner	1
15	075525	200	Manifold burner	1
15	070257	250	Manifold burner	1
15	075526	300	Manifold burner	1
15	075527	350	Manifold burner	1
15	070258	400	Manifold burner	1
16	073998		Gas valve natural, IID <sup>1</sup>	1
16	073999		Gas valve propane, IID <sup>1</sup>	1
17	075191		Pilot tube, IID <sup>2</sup>	1
17	075192		Pilot tube, IID <sup>3</sup>	1
17	075193		Pilot tube, IID <sup>4</sup>	1
<b>BURNER TRAY ASSEMBLY, COMPLETE</b>				
18	073752	150	Natural, IID	1
18	075499	200	Natural, IID	1
18	073751	250	Natural, IID	1
18	075500	300	Natural, IID	1
18	075501	350	Natural, IID	1
18	073750	400	Natural, IID	1



# POWERMAX® HEATER (CONT'D)

## REPLACEMENT PARTS

Item	Part No.	Mod.	Description	Qty.
<b>BURNER TRAY ASSEMBLY, COMPLETE</b>				
18	073906	150	Propane, IID	1
18	075508	200	Propane, IID	1
18	073905	250	Propane, IID	1
18	075509	300	Propane, IID	1
18	075510	350	Propane, IID	1
18	073904	400	Propane, IID	1
19	070230		Burner <sup>1</sup>	8
19a	470550		Burner w/ pilot bracket <sup>1</sup>	1
20	470190		Pressure switch <sup>1</sup>	1
<b>COMBUSTION CHAMBER ASSEMBLY, COMPLETE</b>				
21	073858	150	Assembly	1
21	075586	200	Assembly	1
21	073857	250	Assembly	1
21	075587	300	Assembly	1
21	075588	350	Assembly	1
21	073856	400	Assembly	1
22	072134		Valve drain 3/4 in. <sup>1</sup>	1
23	072138		Valve relief 3/4 in. 50# <sup>1,7</sup>	1
24	471424		Flow valve assembly standard, complete <sup>1</sup>	1
24	073989		Flow valve assembly ASME, complete <sup>1</sup>	1
25	074015		Flow valve gasket <sup>1</sup>	4
26	075492		Bolt 3/8, 16 x 2-1/2 <sup>1</sup>	2
27	075284		Quick flange kit <sup>1</sup>	1
28	070544		Bushing in/out Lexan <sup>1</sup>	2
29	071895		Sleeve, rubber in/out 2 in. <sup>1</sup>	2
30	071017		Safety shut-off <sup>1</sup>	2
31	070985		Main header, in/out <sup>1</sup>	1
<b>HEAT EXCHANGER, WITH HEADS</b>				
32	470364	150	Heat exchanger	1
32	470365	200	Heat exchanger	1
32	470366	250	Heat exchanger	1
32	470367	300	Heat exchanger	1
32	470368	350	Heat exchanger	1
32	470369	400	Heat exchanger	1
<b>HEAT EXCHANGER, WITHOUT HEADS</b>				
32	074452	150	Heat exchanger	1
32	075628	200	Heat exchanger	1
32	074451	250	Heat exchanger	1
32	075629	300	Heat exchanger	1
32	075630	350	Heat exchanger	1
32	074074	400	Heat exchanger	1
33	070277	150	Baffle	8
33	075559	200	Baffle	8
33	070276	250	Baffle	8
33	075560	300	Baffle	8
33	070277	350	Baffle	16
33	070278	400	Baffle	16

Item	Part No.	Mod.	Description	Qty.
34	472329		Baffle hld. down, 2 baffles on 400, 350	1
35	073864	150	Flue collector	1
35	075622	200	Flue collector	1
35	073863	250	Flue collector	1
35	075623	300	Flue collector	1
35	075624	350	Flue collector	1
35	073862	400	Flue collector	1
<b>LIGHTBACK SHIELD (NATURAL GAS UNITS ONLY)</b>				
36	075783	150	Lightback shield	2
36	075784	200	Lightback shield	2
36	075785	250	Lightback shield	2
36	075786	300	Lightback shield	2
36	075787	350	Lightback shield	2
36	075788	400	Lightback shield	2
<b>NOT SHOWN</b>				
	070715		Plastic mounting bracket <sup>1</sup>	
	470965		Wire kit, harness IID, complete <sup>1</sup>	
	071703		Screw, 8 x 1/4 in. hh. <sup>1</sup>	
	071698		Screw, 8 x 1/2 in. hh. <sup>1</sup>	
	071716		Screw, 6 x 1/4 in. <sup>1</sup>	
	071659		Screw, 10-32 x 1/4 in. <sup>1</sup>	
	075692		Screw, 10-32 x 3/16 <sup>1</sup>	
	070551		Bushing, 1/2 in. <sup>1</sup>	
	470414		Therm. knob stopper <sup>1</sup>	2
	472330		Power element, flow-valve <sup>1</sup>	1
	073725		Bolt 5/16, 18 x 3/4 in. <sup>1</sup>	2
	073727		Orifice main burner natural <sup>1,6</sup>	
	073728		Orifice main burner propane <sup>1,6</sup>	
	471204		Pilot, natural, IID <sup>1</sup>	1
	471205		Pilot, propane, IID <sup>1</sup>	1
	075173		Thermal cut-off <sup>1</sup>	1
	470180		Thermistor, probe, complete, IID Models <sup>1</sup>	1
	470181		Stem, thermostat control, IID models	2

<sup>1</sup> Part No. used in Model Nos., 150, 200, 250, 300, 350, 400.

<sup>2</sup> Part No. used in Model Nos., 150, 200.

<sup>3</sup> Part No. used in Model Nos., 250, 300.

<sup>4</sup> Part No. used in Model Nos., 350, 400.

<sup>5</sup> Part No. used in Model Nos., 150, 250, 300, 350, 400.

<sup>6</sup> Qty. = Model N or P 150 (3 ea.), 200 (4 ea.), 250 (5 ea.), 300 (6 ea.), 350 (7 ea.), 400 (8 ea.).

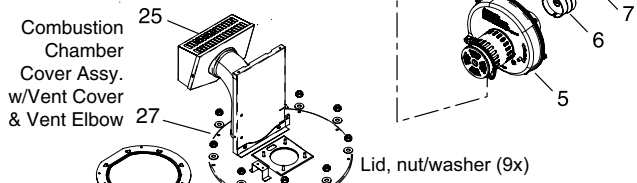
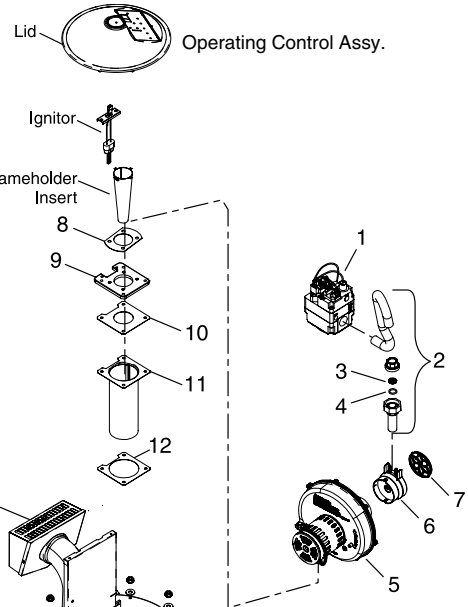
<sup>7</sup> ASME or Local Code.

<sup>8</sup> Qty. = Model 150 (2 ea.), 200 (3 ea.), 250 (4 ea.), 300 (5 ea.), 350 (6 ea.), 400 (7 ea.).

<sup>9</sup> Previously Manufactured Model.

# MAX-E-THERM® HEATER

## BURNER SYSTEM REPLACEMENT PARTS



**CLAMP LID TUB DESIGN**

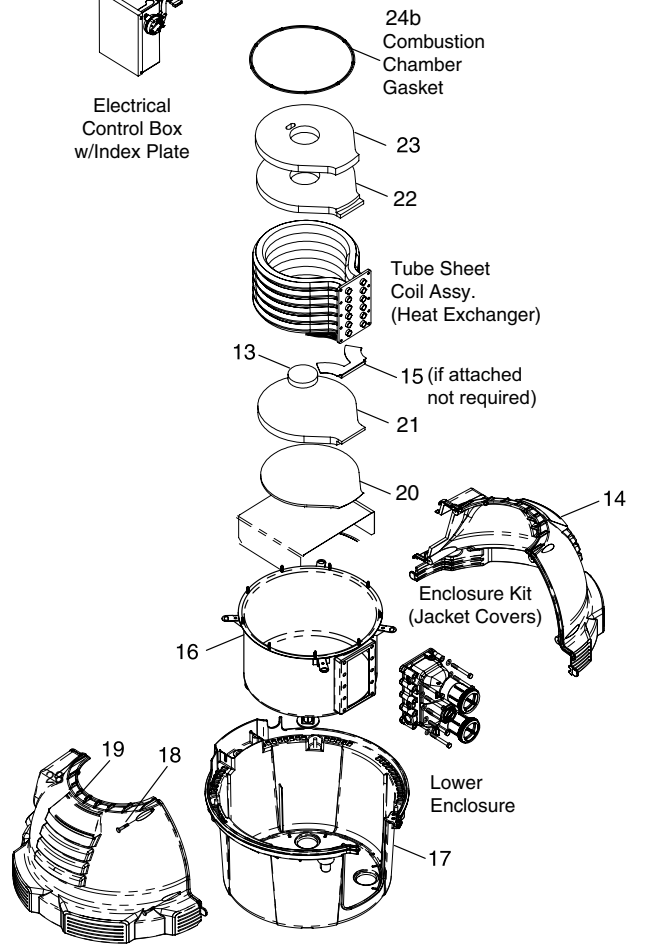
Combustion Chamber Clamp Assy.

27

24a Combustion Chamber O-ring

16

For heaters manufactured between 1/12/2009 and 10/31/2013 (clamp lid tub design)  
 Note: Kits also include, O-Ring and Silicon Tube.



CALIFORNIA PROPOSITION 65 WARNING

⚠️ **WARNING:** Cancer and Reproductive Harm.

⚠️ **AVERTISSEMENT:** Peut Causer le Cancer et des Dommages au Système Reproducteur.

⚠️ **ADVERTENCIA:** Cáncer y Daño Reproductivo.

www.p65warnings.ca.gov. P182017A

# MAX-E-THERM® HEATER (CONT'D)

## BURNER SYSTEM REPLACEMENT PARTS



Item	Part No.	Description
<b>MAX-E-THERM BURNER SYSTEM</b>		
1	42001-0051S	Combination Gas Control Valve Kit
2	38404-4097S	3/4 in. Union
5	77707-0251	Air Blower Kit, Natural - 200NA Model (Single Volt Blower Adapter Included)
5	77707-0252	Air Blower Kit, Natural - 333NA Model (Single Volt Blower Adapter Included)
5	77707-0253	Air Blower Kit, Natural - 400NA Model (Single Volt Blower Adapter Included)
5	77707-0254	Air Blower Kit, Propane - 200LP Model (Single Volt Blower Adapter Included)
5	77707-0255	Air Blower Kit, Propane - 333LP Model (Single Volt Blower Adapter Included)
5	77707-0256	Air Blower Kit, Propane - 400LP Model (Single Volt Blower Adapter Included)
14	77707-0002	Enclosure Kit, Upper Right-Hand
16	474095	One Piece Metal Chamber/Combustion Chamber Assembly <sup>2</sup>
16	474957	One Piece Metal Chamber/Combustion Chamber Assembly <sup>1</sup>
17	42001-0001S	Lower Enclosure
19	77707-3200N	Enclosure Kit, Upper Left-Hand – Natural (200)
19	77707-3333N	Enclosure Kit, Upper Left-Hand – Natural (333)
19	77707-3400N	Enclosure Kit, Upper Left-Hand – Natural (400)
19	77707-3200L	Enclosure Kit, Upper Left-Hand – Propane (200)
19	77707-3333L	Enclosure Kit, Upper Left-Hand – Propane (333)
19	77707-3400L	Enclosure Kit, Upper Left-Hand – Propane (400)
24a	474201	Combustion Chamber O-Ring Kit <sup>2</sup>
24b	474952	Combustion Chamber O-Ring Kit <sup>1</sup>
27	474094	One Piece Metal Elbow/Combustion Chamber Cover Assembly <sup>2</sup>
27	474958	One Piece Metal Elbow/Combustion Chamber Cover Assembly <sup>1</sup>
28	42002-0005S	Metal Vent Cover
29	42001-0074S	Kit Lower Enclosure Insulation

Item	Part No.	Description
<b>NOT SHOWN</b>		
	77707-0431	Gas Orifice Kit – Natural - 200 Model (Incl. 3 & 4) *
	77707-0421	Gas Orifice Kit – Natural - 333 Model (Incl. 3 & 4) *
	77707-0411	Gas Orifice Kit – Natural - 400 Model (Incl. 3 & 4) *
	77707-0461	Gas Orifice Kit – Propane - 200 Model (Incl. 3 & 4) *
	77707-0451	Gas Orifice Kit – Propane - 333 Model (Incl. 3 & 4) *
	77707-0441	Gas Orifice Kit – Propane - 400 Model (Incl. 3 & 4) *
	77707-1461	NG to Propane Conversion Kit – 200 Model (Incl. 3 & 4) *
	77707-1451	NG to Propane Conversion Kit – 333 Model (Incl. 3 & 4) *
	77707-1441	NG to Propane Conversion Kit – 400 Model (Incl. 3 & 4) *
	77707-1431	Propane to NG Conversion Kit – 200 Model (Incl. 3 & 4) *
	77707-1421	Propane to NG Conversion Kit – 333 Model (Incl. 3 & 4) *
	77707-1411	Propane to NG Conversion Kit – 400 Model (Incl. 3 & 4) *
	77707-0111	Air Orifice Kit - (Incl. 6 & 7, 200 Model Only)
	77707-0112	Air Orifice Kit - (Incl. 6 & 7, 333 Model Only)
	77707-0113	Air Orifice Kit - (Incl. 6 & 7, 400 Model Only)
	77707-0011	Blower/Adapter Plate Gasket Kit - (Incl. 8, 9, 10, & 12)
	77707-0202	Flameholder Kit - 200 Model (Incl. 10, 11, 12 & 13)
	77707-0203	Flameholder Kit - 333 Model (Incl. 10, 11, 12, 13, & Flameholder Insert)
	77707-0204	Flameholder Kit - 400 Model (Incl. 10, 11, 12, 13, & Flameholder Insert)
	42001-0074S	Lower Enclosure Insulation
	77707-0008	Insulation Kit (Incl. 13, 15, 20, 21, 22, 23, 24, 25, 26)
	77707-0112	Air Orifice Kit 333 Model
	77707-0113	Air Orifice Kit 400 Model
	461100	Pro Service Package - Master Commonly replaced items in a reusable hardcase

\* Not included with heater. Order separately.

<sup>1</sup> For Heaters Manufactured after 11/16/13 (New 9-Bolt Lid Tub Design).

<sup>2</sup> For Heaters Manufactured after 1/12/09 (Clamp Lid Tub Design).

Note: Kits include Clamp assembly, O-ring and silicone tube.

CALIFORNIA PROPOSITION 65 WARNING

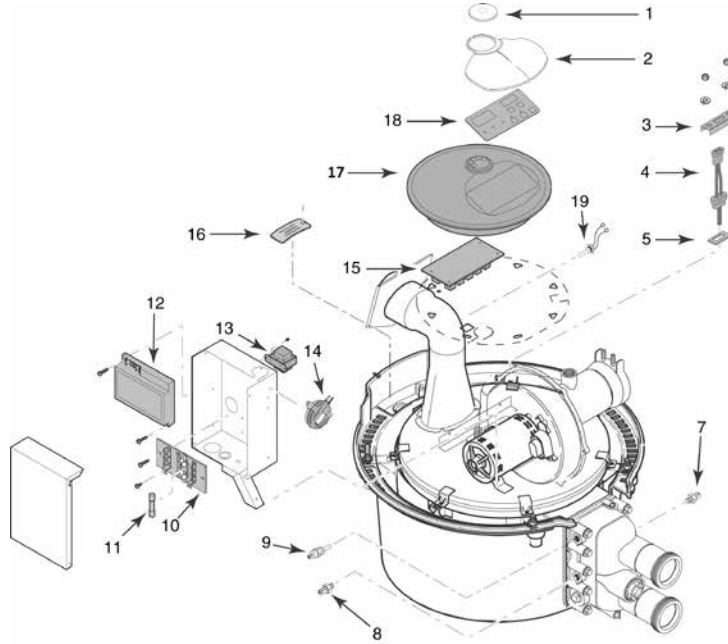
▲ **WARNING:** Cancer and Reproductive Harm.  
▲ **AVERTISSEMENT:** Peut Causer le Cancer et des Dommages au Système Reproducteur.  
▲ **ADVERTENCIA:** Cáncer y Daño Reproductivo.

www.p65warnings.ca.gov. PR020114



# MAX-E-THERM® HEATER

## ELECTRICAL SYSTEM REPLACEMENT PARTS



Item	Part No.	Description	Qty.
<b>MAX-E-THERM ELECTRICAL SYSTEM</b>			
1	77707-0009	Display Cover Retainer Cap Kit, Cap and CPSC Warning Label	1
2	42001-0008S	Heater Display Cover	1
3	42001-0030S	Igniter Bracket	1
4	77707-0054	Igniter/Igniter Gasket Kit (Incl. Key Nos. 4 and 5)	1
5	42001-0066S	Igniter Gasket	1
7	42002-0025S	Automatic Gas Shutoff Switch (AGS)	1
8	42001-0063S	High Limit Switch	1
9	42001-0053S	Thermistor	1
10	42001-0056S	Terminal Board	1
11	32850-0099	Fireman's Switch Fuse (1.25A, 1-1/4 in.)	1
12	476223	Ignition Control Module	1
13	42001-0107S	Transformer, 115/230V	1
13	42001-0057S	Transformer 120/240V, Single Adapter Only*	1
14	42001-0061S	Air Flow Switch	1
15	461105	Control Board Kit (NA, LP Series)	1
16	77707-0022	Junction Box Cover Kit	1

Item	Part No.	Description	Qty.
17	77707-0013	Enclosure for Control Board (Incl. #17, 18)	1
18	472610Z	Five Button Membrane Keypad - for heaters made before 5/5/2021	1
18	461106	Six Button Membrane Keypad - For heaters made after 5/6/2021	1
19	42002-0024S	Stack Flue Sensor	1
19b	42002-0009	Stack Flue Switch	1
<b>NOT SHOWN</b>			
	461107	Heater Wiring Harness - 115/230V	1
	42001-0105S	120/240 Volt Plug Kit	1
	42002-0009	Temp Probe	1
	42001-0057S	Transformer 120/240 (Dual and Single Adapter)	1
	42001-0247	Blower Adapter Dual/ Single Volt	1
	461101	Pro Service Page - Electrical Parts (includes items in a reusable hardcase: 4, 7 qty (2), 8 qty (2), 9 qty (2), 11 qty (3), 14, 19, not shown water pressure switch	1

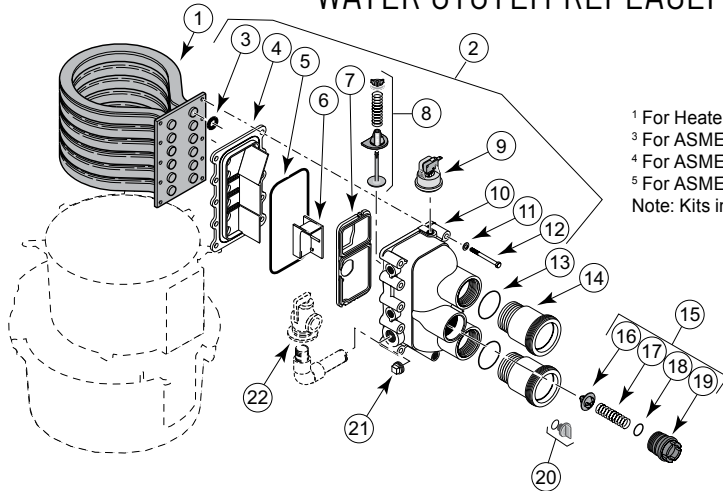
**CALIFORNIA PROPOSITION 65 WARNING**

**⚠ WARNING:** Cancer and Reproductive Harm.  
**⚠ AVERTISSEMENT:** Peut Causer le Cancer  
 et des Dommages au Système Reproducteur.  
**⚠ ADVERTENCIA:** Cáncer y Daño Reproductivo.  
[www.p65warnings.ca.gov](http://www.p65warnings.ca.gov)

\* For single voltage wire harness heaters prior to 2004.

# MAX-E-THERM® HEATER

## WATER SYSTEM REPLACEMENT PARTS



<sup>1</sup> For Heaters Manufactured after 1/12/09

<sup>3</sup> For ASME Heaters Manufactured After 3/24/09 (Tub Design w/Clamp Ring).

<sup>4</sup> For ASME Heaters Manufactured Prior to 10/2012 (Old Header Design).

<sup>5</sup> For ASME Heaters Manufactured After 11/16/13 (New 9-Bolt Tub Design).

Note: Kits include Clamp, O-rings, Insulation, Igniter and Blower Gaskets.

### CALIFORNIA PROPOSITION 65 WARNING

⚠ **WARNING:** Cancer and Reproductive Harm.

⚠ **AVERTISSEMENT:** Peut Causer le Cancer et des Dommages au Système Reproducteur.

⚠ **ADVERTENCIA:** Cáncer y Daño Reproductivo.

[www.p65warnings.ca.gov](http://www.p65warnings.ca.gov)

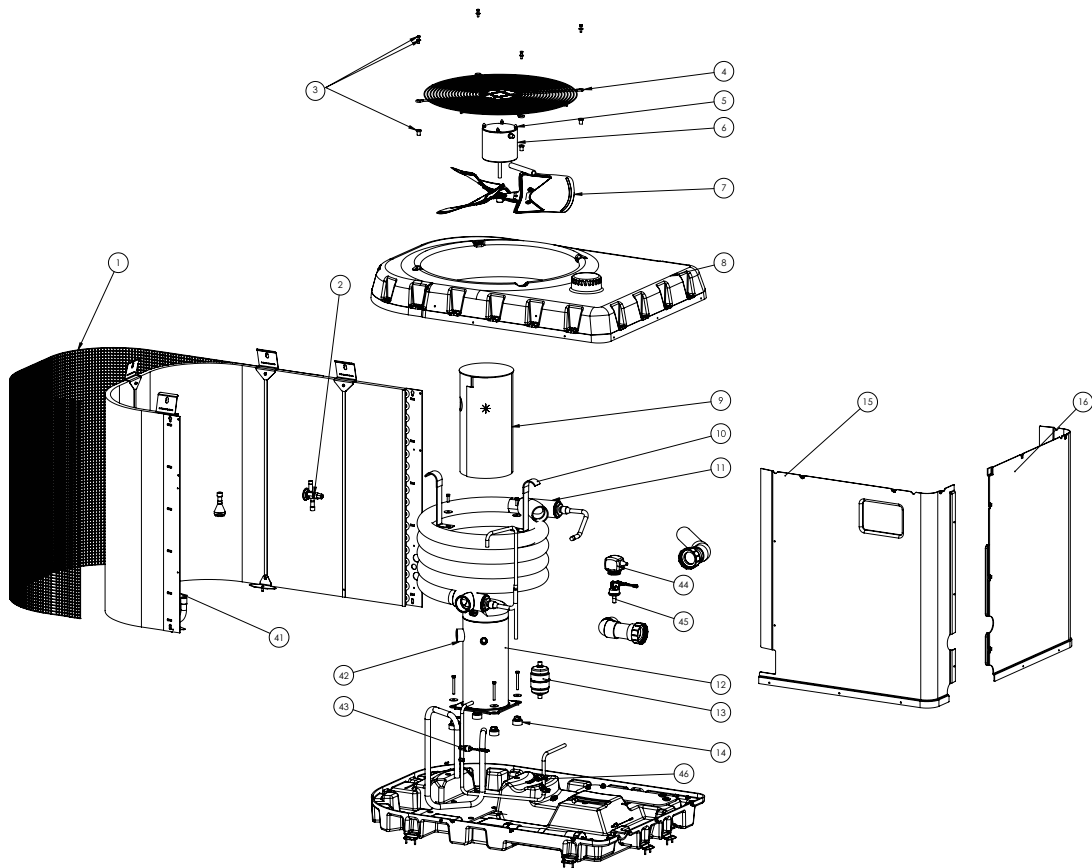
PH00114

Item	Part No.	Description
<b>MAX-E-THERM WATER SYSTEM</b>		
1	77707-0232	Tube Sheet Coil Assembly Kit (NA, LP Series) (Incl. No. 3) - 200 Models
1	474058	Tube Sheet Coil Assembly Kit (NA, LP Series) (Incl. No. 3) - 200 Models <sup>1</sup>
1	77707-0233	Tube Sheet Coil Assembly Kit (NA, LP Series) (Incl. No. 3) - 333 Models
1	474060	Tube Sheet Coil Assembly Kit (NA, LP Series) (Incl. No. 3) - 333 Models <sup>1</sup>
1	77707-0234	Tube Sheet Coil Assembly Kit (NA, LP Series) (Incl. No. 3) - 400 Models
1	474061	Tube Sheet Coil Assembly Kit (NA, LP Series) (Incl. No. 3) - 400 Models <sup>1</sup>
1	77707-0242	Tube Sheet Coil Assembly Kit (HD Series) (Incl. No. 3) - 200 Models
1	474062	Tube Sheet Coil Assembly Kit (HD Series) (Incl. No. 3) - 200 Models <sup>1</sup>
1	77707-0243	Tube Sheet Coil Assembly Kit (HD Series) (Incl. No. 3) - 333 Models
1	474064	Tube Sheet Coil Assembly Kit (HD Series) (Incl. No. 3) - 333 Models <sup>1</sup>
1	77707-0244	Tube Sheet Coil Assembly Kit (HD Series) (Incl. No. 3) - 400 Models
1	474065	Tube Sheet Coil Assembly Kit (HD Series) (Incl. No. 3) - 400 Models <sup>1</sup>
2	77707-0014	Manifold Kit (Incl. Nos. 3-14, 20-21, and 7-9 in "Electrical System" (Page 300) - 200 Models
2	77707-0015	Manifold Kit (Incl. Nos. 3-14, 20-21, and 7-9 in "Electrical System" (Page 300) - 333 Models
2	77707-0016	Manifold Kit (Incl. Nos. 3-14, 20-21, and 7-9 in "Electrical System" (Page 300) - 400 Models
2	474200	Basic Manifold Kit (Incl. Nos. 3, 10-14)
3	77707-0117	Coil/Tubesheet Sealing O-Ring Kit - 200 Model (6)
3	77707-0118	Coil/Tubesheet Sealing O-Ring Kit - 333 Model (10)

Item	Part No.	Description
3	77707-0119	Coil/Tubesheet Sealing O-Ring Kit - 400 Model (12)
8	77707-0001	Manifold Bypass Valve Package
9	42001-0060S	Water Pressure Switch
13	U9-266	O-Ring
14	77707-0017	Connector Tube Kit (Includes 1 Connector Tube and 1 O-Ring)
15	77707-0010	Thermal Regulator Kit (Incl. Key 16-19 and Spring Clip)
16	38000-0007S	Thermal Regulator (Includes Spring Clip)
18	35505-1313	Thermal Regulator Cap O-ring (O-ring only)
20	U178-920PZ	Drain Plug
21	U78-60ZPS	3/4 in. Pipe Plug
22	473715Z	Kit Pressure Relief Valve
23	PKG 188Z	2 in. Union Adapter Package (includes 2)
	461102	Pro Service Package - Water System Parts (Includes items in reusable hard case; #8, #9, #15, not shown - Thermistor qty(2), High Limit Switch qty(2), AGS Switch qty(2))
<b>ASME KITS</b>		
	472648Z	Bypass Access Plug (Old Header Design ASME)
	77707-0120	O-Ring Kit (Incl. Nos. 3, 5)
	474096	Heat Exchanger Kit - 400 ASME <sup>3</sup>
	474956	Heat Exchanger Kit <sup>5</sup> - 400 ASME
	460923	ASME Bypass Valve Kit <sup>4</sup> (Old Header Design)
	461007	ASME Bypass Valve Tool Kit <sup>4</sup> (Old Header Design)
	460924	Thermal Regulator Kit (incl. spring clip & install tools) (ASME) (Old Heater Design) <sup>4</sup>
	460941	Heat Exchanger Kit - 250 ASME <sup>2</sup>
	474097	Heat Exchanger Kit - 250 ASME <sup>3</sup>

# ULTRATEMP ETi® HEATER

## HIGH PERFORMANCE HYBRID HEATER



Item	Part No.	Description	Qty.
<b>ULTRATEMP 220 ETi REFRIGERATION SYSTEM</b>			
1	473054Z	Coil Guard	1
2	476105Z	Thermostatic Expansion Valve	1
3	470441	Fan Guard Fastener Kit	1
4	473786	Fan Guard	1
5	470439	Nut, #10-32 SS Acorn	1
6	473785	Fan Motor with Acorn Nut Kit	1
7	473783	Fan Blade	1
8	475938Z	Hybrid Lid Almond	1
8	476068Z	Hybrid Lid Black	1
9	475230Z	Compressor Blanket	1
10	475948Z	Titanium Heat Exchanger Tie Down Bracket	1
11	475949	Titanium Heat Exchanger	1

Item	Part No.	Description	Qty.
12	473735Z	Compressor, ZP70 (FG UNITS BUILT BEFORE 12/14/20)	
12	476229Z	Compressor, ARA072KA (FG UNITS BUILT ON AND AFTER 12/14/20)	
13	473121	Drier Single Direction	1
14	473736	Compressor Isolation Kit	1
15	475939	Control/HP Panel Almond	
15	476069	Control/HP Panel Black	
16	475940Z	Gas Panel Almond	
16	476070Z	Gas Panel Black	
*	472409	CoreMax Valve Core	

\* Not shown

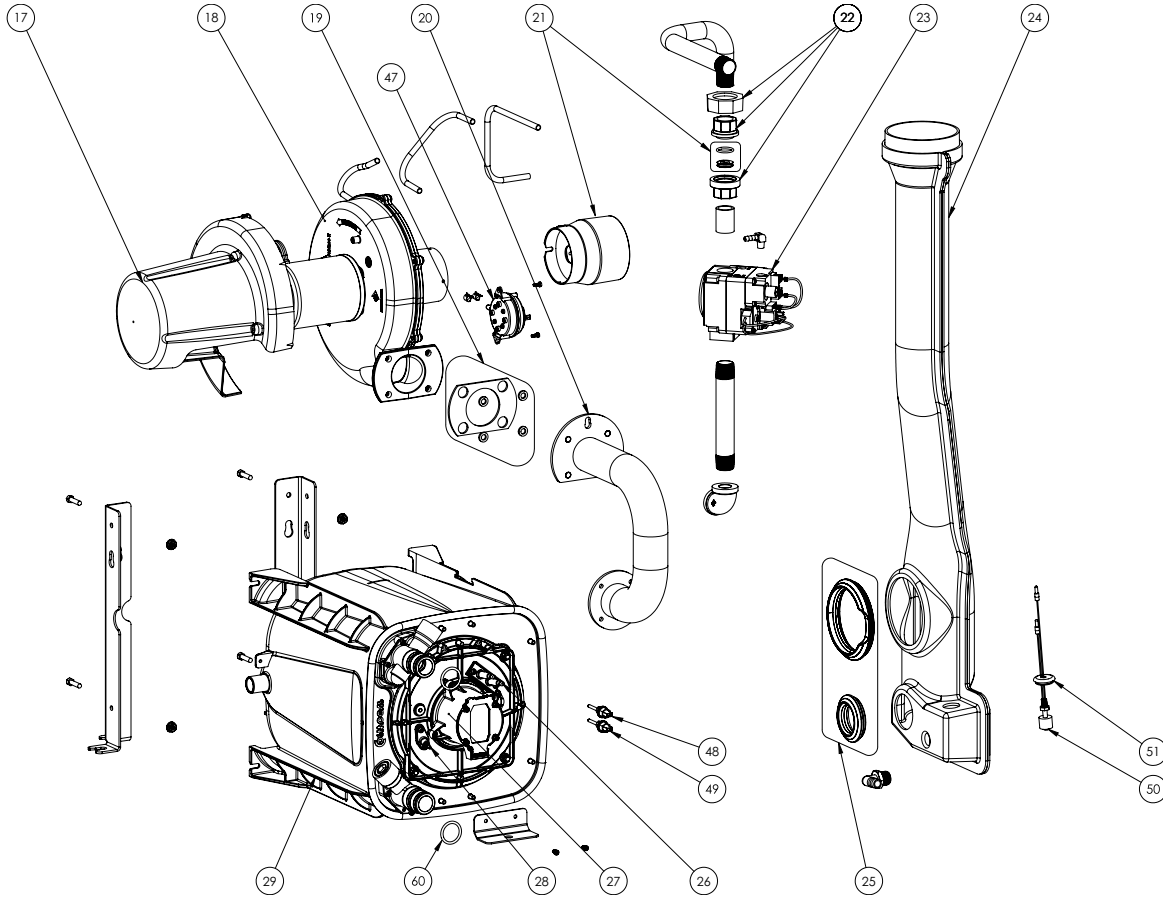
CALIFORNIA PROPOSITION 65 WARNING

⚠ **WARNING:** Cancer and Reproductive Harm.  
 ⚠ **AVERTISSEMENT:** Peut Causer le Cancer et des Dommages au Système Reproducteur.  
 ⚠ **ADVERTENCIA:** Cáncer y Daño Reproductivo.

www.p65warnings.ca.gov. PN2023LA

# ULTRATEMP ETi® HEATER (CONT'D)

## HIGH PERFORMANCE HYBRID HEATER



Item	Part No.	Description	Qty.
<b>ULTRATEMP 220 ETi GAS SYSTEM</b>			
17	475918Z	Blower Shield Cap	1
18	474285Z	Blower	1
19	475902Z	Air Manifold to Blower Gasket Kit	1
20	475899Z	Air Manifold	1
21		Orifice Kit, Natural Gas	1
21		Orifice Kit, Propane	1
22	38404-4097S	3/4 in. Union	1
23		Gas Valve	1
24	475900Z	Exhaust	1
25	475877	Exhaust Gasket Kit (2 Pieces)	1
26	476081Z	Gas Engine Spark Electrodes	1
28	462023	Flame Sensor	

Item	Part No.	Description	Qty.
<b>ULTRATEMP 220 ETi GAS SYSTEM</b>			
*	475615	Gas Heat Exchanger Gasket Service Kit	1
*	475606	Gas Heat Exchanger Hardware Kit	1
*	475943	Pressure Relief Valve Kit	1
	475954Z	Condensate Neutralizer Kit	

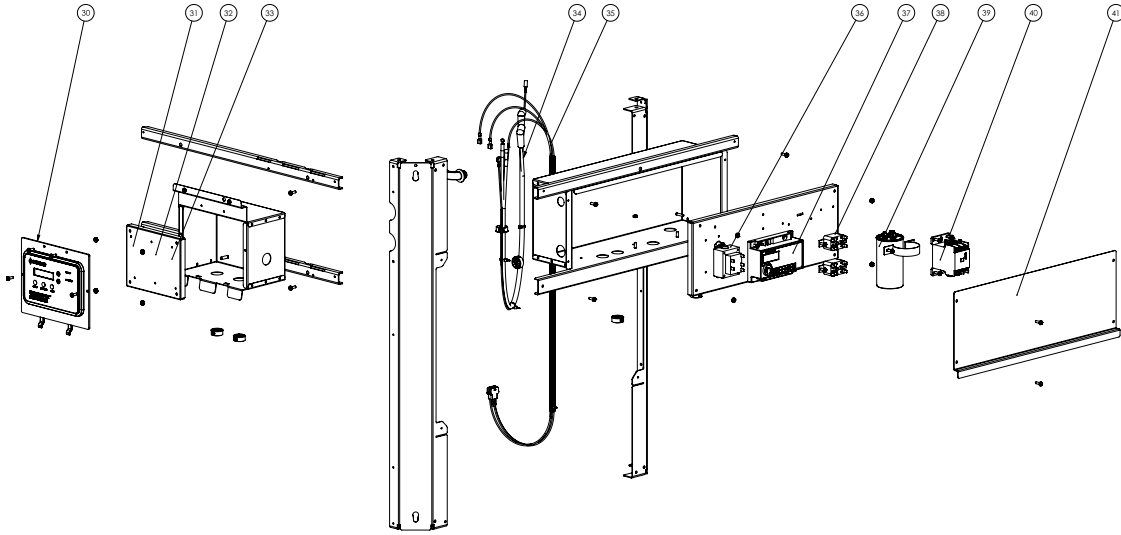
\* Not shown

CALIFORNIA PROPOSITION 65 WARNING  
 ⚠ WARNING: Cancer and Reproductive Harm.  
 ⚠ AVERTISSEMENT: Peut Causer le Cancer et des Dommages au Système Reproducteur.  
 ⚠ ADVERTENCIA: Cáncer y Daño Reproductivo.  
[www.p65warnings.ca.gov](http://www.p65warnings.ca.gov) PHL201714A



# ULTRATEMP ETi<sup>®</sup> HEATER (CONT'D)

## HIGH PERFORMANCE HYBRID HEATER



Item	Part No.	Description	Qty.
<b>ULTRATEMP 220 ETi ELECTRICAL SYSTEM</b>			
30	475957Z	Bezel, Control Board, and Label Kit	1
31	475928Z	Wire Harness, Gas Inputs	1
32	475929Z	Wire Harness, Heat Pump Inputs	1
33	475930Z	Wire Harness, Outputs	1
34	475926Z	Wire Harness, Spark Plugs	1
35	475931Z	Wire Harness, Gas Blower	1
36	473155	Transformer	1
37	475933Z	Ignition Control Module	1
38	473150	Relay, Fan and Gas	1
39	473731Z	Dual Capacitor with Bracket	1
40	473149	Contacting Compressor/ Input Power	1
41	475905Z	Cover Panel, High Voltage Box	1
42	474237	Compressor Harness Clip	1
43	473656	Switch, Low Refrigerant Pressure	1
44	473606	Water Pressure Switch Boot	1
45	475956Z	Water Pressure Switch	1

Item	Part No.	Description	Qty.
46	473744	Switch, High Refrigerant Pressure	
47	42001-0059	Air Pressure Switch	
48	476118Z	Thermal Fuse	
49	475601	Stack Flue Sensor	
50	475901Z	Condensate Float Switch	1
51	475911Z	Condensate Float Switch Bushing	1
52	475941	Switch, Automatic Gas Shutoff, 140° F	
53	475955Z	Switch, High Limit, 127° F	
54	471566	Probe, Thermistor Water Temperature	
*	475927Z	Wire Harness, High Voltage	
*	475932Z	Compressor Harness, Hybrid	

\* Not shown

CALIFORNIA PROPOSITION 65 WARNING

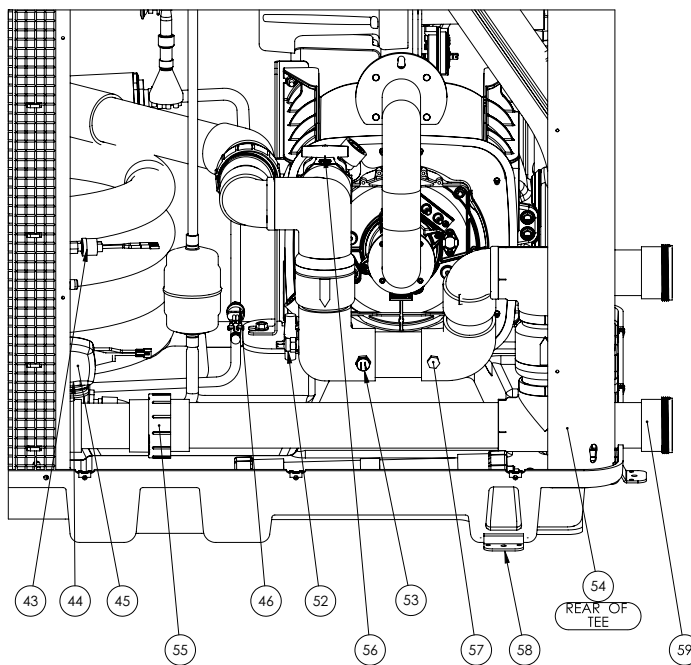
⚠ **WARNING:** Cancer and Reproductive Harm.  
 ⚠ **AVERTISSEMENT:** Peut Causer le Cancer et des Dommages au Système Reproducteur.  
 ⚠ **ADVERTENCIA:** Cáncer y Daño Reproductivo.

www.p65warnings.ca.gov. P182037A



# ULTRATEMP ETi® HEATER (CONT'D)

## HIGH PERFORMANCE HYBRID HEATER



CALIFORNIA PROPOSITION 65 WARNING  
 ⚠️ **WARNING:** Cancer and Reproductive Harm.  
 ⚠️ **AVERTISSEMENT:** Peut Causer le Cancer et des Dommages au Système Reproducteur.  
 ⚠️ **ADVERTENCIA:** Cáncer y Daño Reproductivo.  
[www.p65warnings.ca.gov](http://www.p65warnings.ca.gov) PK220174

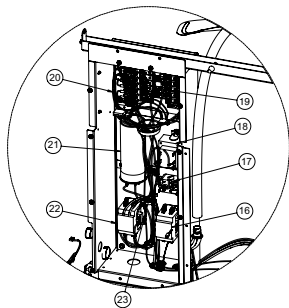
Item	Part No.	Description	Qty.
<b>ULTRATEMP 220 ETi PLUMBING/MISC.</b>			
	473665	Probe Thermistor, Defrost Sensor	1
55	473381	Union PVC 2in	1
56	475953Z	QRC Clip	1
57	98218900	Drain Plug (1/4 NPT)	1
58	475950Z	Hurricane Tie Down Straps	1
59	476032Z	Water Management Assembly	1
60	475912Z	Gas Engine Brass Ftg O-ring, -215 Silicone	1
*	470284	Nut, J Clip (Base)	1
*	470281	Nut, U Clip (Panels)	1
*	470159	Panel Screws, Phillips, Almond	1
*	470161	Lid Bracket Scews, Square Drive, Almond	1
*	476036Z	Union/Tie Down Kit (Includes 8X Item 58 and 2X Item 55)	1
*	474198	Panel Screws, Phillips, Black	
*	474197	Lid Bracket Screws, Square Drive, Black	
*	475943	Pressure Relief Valve Kit	
*	473381	Union 2 in x 2 in, with O-Ring	

\* Not shown

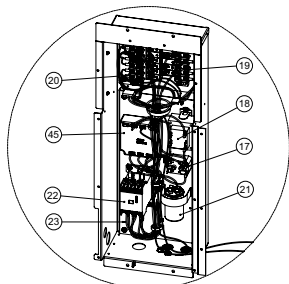
# ULTRATEMP® HEAT PUMP

460833, 460863, 460928, 460929, 460930, 460931, 460932, 460933, 460934, 460935, 460936, 460937, 460938, 460958, 460959, 460960, 460961, 460962, 460963, 460964, 460965, 460967

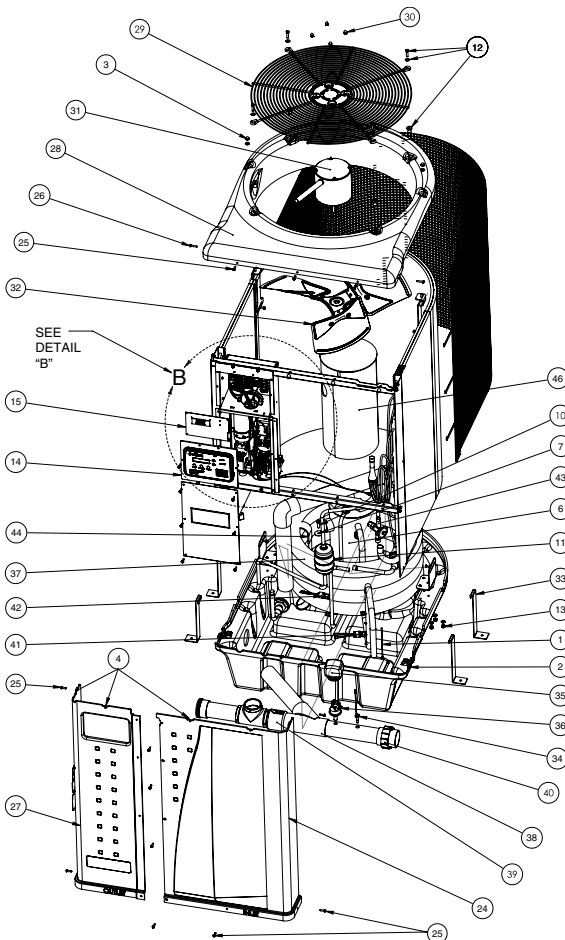
## REPLACEMENT PARTS



DETAIL B - Single Phase



DETAIL B - Three Phase



CALIFORNIA PROPOSITION 65 WARNING  
 ⚠️ WARNING: Cancer and Reproductive Harm.  
 ⚠️ AVERTISSEMENT: Peut Causer le Cancer et des Dommages au Système Reproducteur.  
 ⚠️ ADVERTENCIA: Cáncer y Daño Reproductivo.  
[www.p65warnings.ca.gov](http://www.p65warnings.ca.gov) PH00016A

Item	Part No.	Description
<b>ULTRATEMP REPLACEMENT PARTS</b>		
1	473665	PROBE THERMISTOR DEFROST SENSOR
2	470284	NUT, J-CLIP
3	473285	NUT, 1/4-20 SS ACORN
4	470281	NUT, U-CLIP
5	473732	WIRE HARNESS, COMPRESSOR (1PH-60HZ)
5	474009	WIRE HARNESS, COMPRESSOR (1PH-50HZ)
5	474010	WIRE HARNESS, COMPRESSOR (3-PHASE MODELS)
6	473734Z	COMPRESSOR, SCROLL ZP83 (MODEL 120, 120HC, 140, 140 HC ONLY) FG UNITS BUILT BEFORE 12/21/20
6	473735Z	COMPRESSOR, SCROLL ZP70 (MODEL 110 ONLY) FG UNITS BUILT BEFORE 12/14/20
6	474011Z	COMPRESSOR, SCROLL ZP83 (3-PHASE MODEL 120C, 140C ONLY)
6	474241Z	COMPRESSOR, SCROLL ZP61 (MODEL 90 ONLY) FG UNITS BUILT BEFORE 1/6/21
6	474291Z	COMPRESSOR, SCROLL ZP49 (MODEL 70 ONLY) FG UNITS BUILT BEFORE 1/6/21
6	476230Z	COMPRESSOR, SCROLL ARA083KA (MODEL 120Q, 120HC, 140, 140 HC) FG UNITS BUILT ON AND AFTER 12/21/20 (ACTIVE DEFROST UNITS SWITCHED TO NEW COMPRESSOR ON 5/10/21)
6	476229Z	COMPRESSOR, SCROLL ARA072KA (MODEL 110 ONLY) FG UNITS BUILT ON AND AFTER 12/14/20
6	476228Z	COMPRESSOR, SCROLL ARA061KA (MODEL 90 ONLY) FG UNITS BUILT ON AND AFTER 1/6/21
6	476227Z	COMPRESSOR, SCROLL ABG049KAC (MODEL 70 ONLY) FG UNITS BUILT ON AND AFTER 1/6/21
7	473295	FENDER WASHER
8	473736	COMPRESSOR ISOLATION KIT, GROMMET AND SPACER 1 SET
9	473745	BOLT 5/16-18 x 2 in. SS
10	98219800	BOLT 5/16-18 x 1 in. SS
11	473121	DRIER (ALL MODELS EXCEPT 120HC, 140HC)
11	473139	DRIER (MODEL 120HC, 140HC)
12	470441	FAN GUARD FASTENER KIT

# ULTRATEMP® HEAT PUMP (CONT'D)

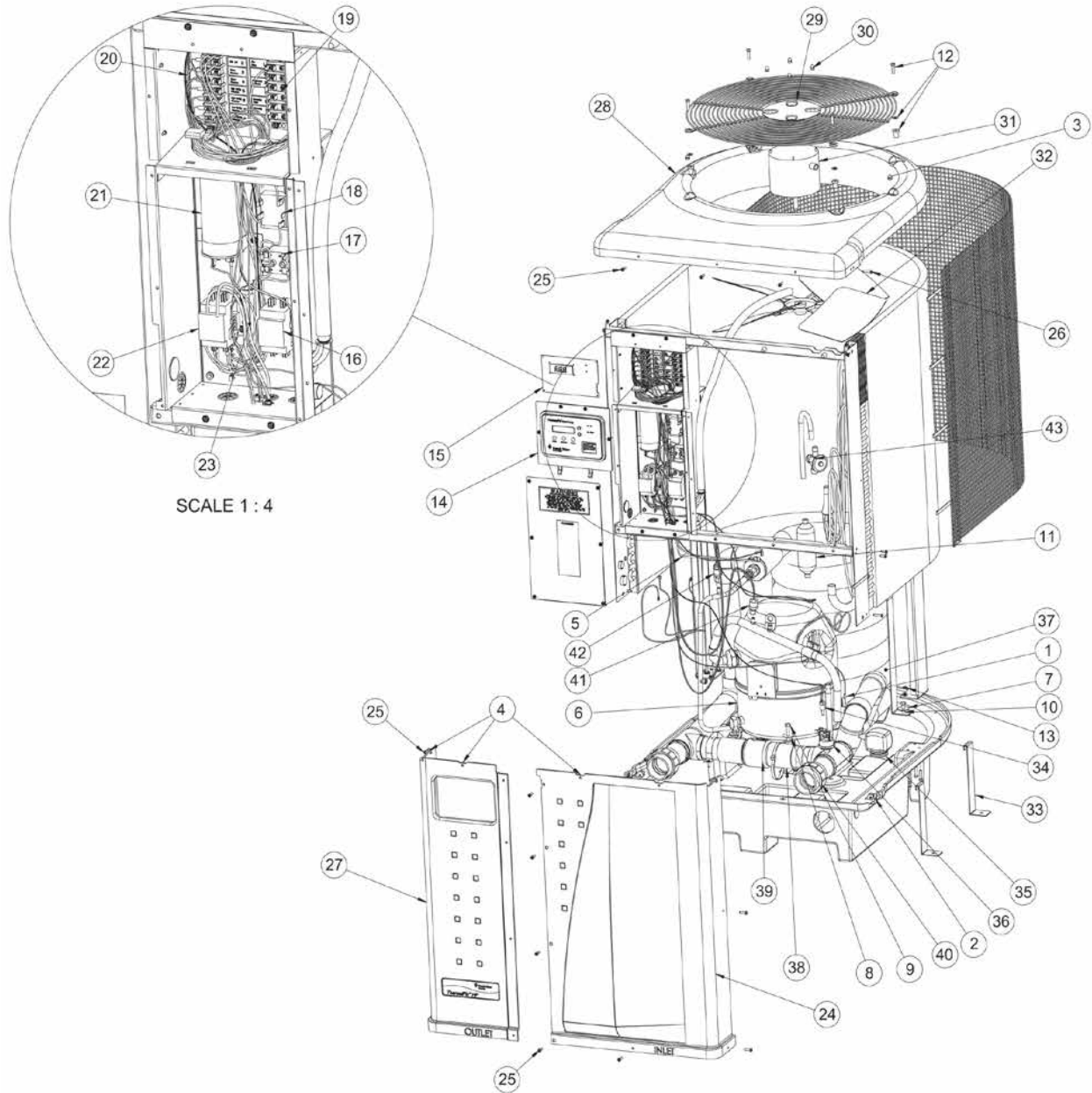
Item	Part No.	Description
13	071406	NUT, 1/4-20 HEX SS
14/15	472734	BEZEL, CONTRL BOARD & LABEL KIT
16	473603	PUMP CONTACTOR AUTOHEAT (MODEL 70, 90, 110, 120, 120HC, 140, 140HC)
17	473150	FAN RELAY
17	474016	FAN RELAY (3PH-50HZ ONLY)
18	473155	TRANSFORMER
18	473790	TRANSFORMER (3PH-50HZ ONLY)
19	473422	WIRE HARNESS TERMINAL BLOCK-FAN, COMPRESSOR
20	473315	WIRE HARNESS, TERMINAL BLOCK-SENSORS
21	473731Z	CAPACITOR WITH BRACKET (MODEL 70, 90, 110, 120, 120Q, 120HC, 140, 140HC ONLY)
21	473154	CAPACITOR (3-PHASE MODEL 120C, 140C ONLY)
21	470146	CAPACITOR (MODEL 100I)
22	473149	CONTACTOR, HEAT PUMP (ALL SINGLE PHASE MODELS PRIOR TO 12/2014)
22	473778	CONTACTOR, HEAT PUMP (3-PHASE MODELS; ALL SINGLE PHASE MODELS POST 2014)
23	473423	WIRE HARNESS, MAIN (ALL SINGLE PHASE MODELS PRIOR TO 12/2014)
23	475112	WIRE HARNESS, MAIN (ALL SINGLE PHASE MODELS)
23	474021	WIRE HARNESS, MAIN (3-PHASE MODEL 120C, 140C ONLY)
23	474031	WIRE HARNESS, MAIN (3-PHASE MODEL 90I ONLY)
24	473742	PANEL, FRONT RIGHT, 36 in. ALMD.
24	474194	PANEL, FRONT RIGHT, 36 in. BLACK
24	473431	PANEL, FRONT RIGHT (MODEL 100I ONLY)
24	473412	PANEL, FRONT RIGHT (MODEL 70, 90, 90I ONLY)
24	474265	PANEL, FRONT RIGHT (MODEL 70 BLACK, 90 BLACK)
25	470159	SCREW #10 x .75 in. PAN HEAD PHILLIPS, ALMOND HEAD
25	474198	SCREW #10 x .75 in. PAN HEAD PHILLIPS, BLACK HEAD
26	470161	SCREW #10 x 1 in. BUTTON HEAD TORX, ALMOND HEAD
26	474197	SCREW #10 x 1 in. BUTTON HEAD TORX, BLACK HEAD
27	473755	PANEL, FRONT LEFT, W/ DECAL
27	474196	PANEL, FRONT LEFT, W/ DECAL, 36 in. BLACK
27	474202	PANEL, FRONT LEFT, W/ DECAL (MODEL 100I ONLY), 36 in.
27	474203	PANEL, FRONT LEFT, W/ DECAL (MODEL 70, 90, AND 90I ONLY)
27	474267	PANEL, FRONT LEFT, W/ DECAL, 24 in. BLACK
28	473773	HP TOP
28	474193	HP TOP, BLACK
28	475273	HP TOP, ALMOND (MODEL 120Q ONLY)
28	475274	HP TOP, BLACK (MODEL 120Q ONLY)
29	473786	GUARD, FAN
30	470439	NUT, #10-32 SS ACORN
31	473785	FAN MOTOR W/ ACORN NUT KIT
31	474030Z	FAN MOTOR W/ ACORN NUT KIT (MODEL 90I ONLY)
31	474323Z	FAN MOTOR W/ACORN NUT KIT (MODEL 140 & 140HC ONLY)
32	473783	FAN BLADE (60 Hz)
32	474230	FAN BLADE (50 Hz)
32	474322	FAN BLADE (MODELS 140 & 140HC ONLY)

Item	Part No.	Description
32	475271	FAN BLADE (MODEL 120Q ONLY)
33	470137	TIE DOWN BRACKET
34	471566	PROBE THERMISTER - WATER TEMPERATURE
35	473606	WATER PRESSURE SWITCH BOOT
36	473605	WATER PRESSURE SWITCH
37	473992	TITANIUM HEAT EXCHANGER (FOR ALL MODELS BUILT PRIOR TO JAN 2017, EXCEPT MODELS 100I, 90I, 90, 70)
37	472736	TITANIUM HEAT EXCHANGER (FOR MODELS 100I & 90 ONLY, UNITS BUILT PRIOR TO JAN 2017)
37	472737	TITANIUM HEAT EXCHANGER (FOR MODELS 70 & 90I ONLY, UNITS BUILT PRIOR TO JAN 2017)
37	475193Z	TITANIUM HEAT EXCHANGER (FOR ALL MODELS EXCEPT 70, UNITS BUILT AFTER JAN 2017)
37	475219Z	TITANIUM HEAT EXCHANGER (FOR MODEL 70 ONLY, UNITS BUILT AFTER JAN 2017)
38	473774Z	WATER BYPASS MANIFOLD W/ 2 STREET ELBOWS (PRIOR TO JAN. 2017)
38	475176Z	WATER MANIFOLD BYPASS KIT
39	R172305	WATER BYPASS CHECK VALVE
40	473381	UNION PVC 2 in.
41	473656	SWITCH, LOW PRESSURE
42	473744	SWITCH, HIGH PRESSURE
43	473787	THERMOSTATIC EXPANSION VALVE (MODEL 120, 120C, 120Q, 90I)
43	473999	THERMOSTATIC EXPANSION VALVE (MODEL 120HC, 110)
43	474248	THERMOSTATIC EXPANSION VALVE (MODEL 100I)
43	474242	THERMOSTATIC EXPANSION VALVE (MODEL 70, 90)
43	474327	THERMOSTATIC EXPANSION VALVE (MODELS 140, 140HC)
44	473772	TITANIUM WATER COIL TIE DOWN STRAP (1 ON ALL MODELS EXCEPT MODEL 90I) (PRIOR TO JAN. 2017)
44	473789	TITANIUM WATER COIL TIE DOWN STRAP (1 ON ALL MODELS EXCEPT MODELS 90, 90I & 100I) (PRIOR TO JAN. 2017)
44	475194	TITANIUM WATER COIL TIE DOWN, RIGHT SIDE
44	475195	TITANIUM WATER COIL TIE DOWN, LEFT SIDE
45	474089	PHASE MONITOR
46	475231Z	COMPRESSOR BLANKET
<b>NOT SHOWN</b>		
	473135	REVERSING VALVE (Model 120HC, 140HC) HEAT COOL ONLY
	473432	REVERSING SOLENOID (Model 120HC, 140HC) HEAT COOL ONLY
	474270Z	TITANIUM COIL WATER SIDE REPAIR KIT (FOR HEAT EXCHANGER BUILT PRIOR TO JAN. 2017)
	474237	COMPRESSOR HARNESS CLIP
	461030Z	WATER UNION & TIE DOWN KIT
	474321	3 in. RECEIVER (Model 140, 140HC)
	473054Z	COIL GUARD
	475232	MALE HOSE BARB 5/8" X 1/2" NPT
	472409	CoreMax Valve Core
	071426	O-ring for Union

# THERMALFLO™ HEAT PUMP TITANIUM

460912, 460913, 460914, 460915, & 460922

## REPLACEMENT PARTS



SCALE 1 : 4

CALIFORNIA PROPOSITION 65 WARNING  
 ⚠️ **WARNING:** Cancer and Reproductive Harm.  
 ⚠️ **AVERTISSEMENT:** Peut Causer le Cancer et des Dommages au Système Reproducteur.  
 ⚠️ **ADVERTENCIA:** Cáncer y Daño Reproductivo.  
[www.p65warnings.ca.gov](http://www.p65warnings.ca.gov) PH 201514

# THERMALFLO™ HEAT PUMP TITANIUM (CONT'D)

## REPLACEMENT PARTS

Item	Part No.	Description
<b>THERMALFLO HP TITANIUM</b>		
1	473665	Probe Thermister Defrost Sensor
2	470284	Nut, J-Clip
3	473285	Nut, 1/4-20 SS Acorn
4	470281	Nut, U-Clip
5	470147	Wire Harness, Compressor
6	473024Z	Compressor, Trane GH633-LL1-G (Model # 500, 700, 900)
6	473025Z	Compressor, Trane GH673-LL1-G (Model # 1200, 1200R)
7	473295	Fender Washer
8	473026	Compressor Isolation kit, Grommet and Spacer (1 Set)
9	473294	Bolt 5/16-18 x 1-3/4 in. SS
10	98219800	Bolt 5/16-18 x 1 in. SS
11	473121	Drier (Model # 500, 700, 900, 1200)
11	473139	Drier, Reversible (Model # 1200R)
12	470441	Fan Guard Fastener Kit
13	071406	Nut, 1/4-20 Hex SS
14	473693	Bezel, Control Board w/ Label
15	472734	Control Board Assembly
16	473603	Pump Contactor AutoHeat
17	473150	Fan Relay
18	473155	Transformer
19	473422	Wire Harness Terminal Block - Fan, Compressor
20	473315	Wire Harness, Terminal Block - Sensors
21	470146	Capacitor
22	473149	Contactora, Heat Pump
23	473423	Wire Harness, Main
24	473412	Panel, Front Right (Model# 500, 700)
24	473431	Panel, Front Right (Model# 900, 1200, 1200R)
25	470159	Screw #10 x 3/4 in. Pan Head Phillips, Almond Head
26	470161	Screw #10 x 1 in. Button Head Torx, Almond Head
27	470419	Panel, Front Left, w/ Decal (Model# 500, 700)

Item	Part No.	Description
27	470434	Panel, Front Left, w/ Decal (Model# 900, 1200, 1200R)
28	473134	HP Top
29	473368	Guard, Fan
30	470439	Nut, 10-32 SS Acorn
31	470289	Fan Motor w/ Acorn nut Kit
32	473223	Fan Blade
33	470137	Tie Down Bracket
34	471566	Probe Thermister - Water Temperature
35	473606	Water Pressure Switch Boot
36	473605	Water Pressure Switch
37	472737	Titanium Heat Exchanger (Model# 500)
37	472736	Titanium Heat Exchanger (Model# 700, 900, 1200, 1200R)
38	473774Z	Water Bypass Manifold <sup>1</sup>
39	R172305	Water Bypass Check Valve
40	473381	Union PVC 2 in.
41	473656	Switch, Low Pressure
42	473655	Switch, High Pressure
43	472735	Thermostatic Expansion Valve
<b>NOT SHOWN</b>		
	473135	Reversing Valve (Model # 1200R)
	473432	Reversing Solenoid (Model # 1200R) <sup>2</sup>
	473034	RotoLock Lo Side with Gasket
	473035	RotoLock Hi Side with Gasket

<sup>1</sup> For units manufactured after 7/1/09.

<sup>2</sup> For units manufactured after 2005.  
(Use PN 473136 for units manufactured before 2005).

CALIFORNIA PROPOSITION 65 WARNING

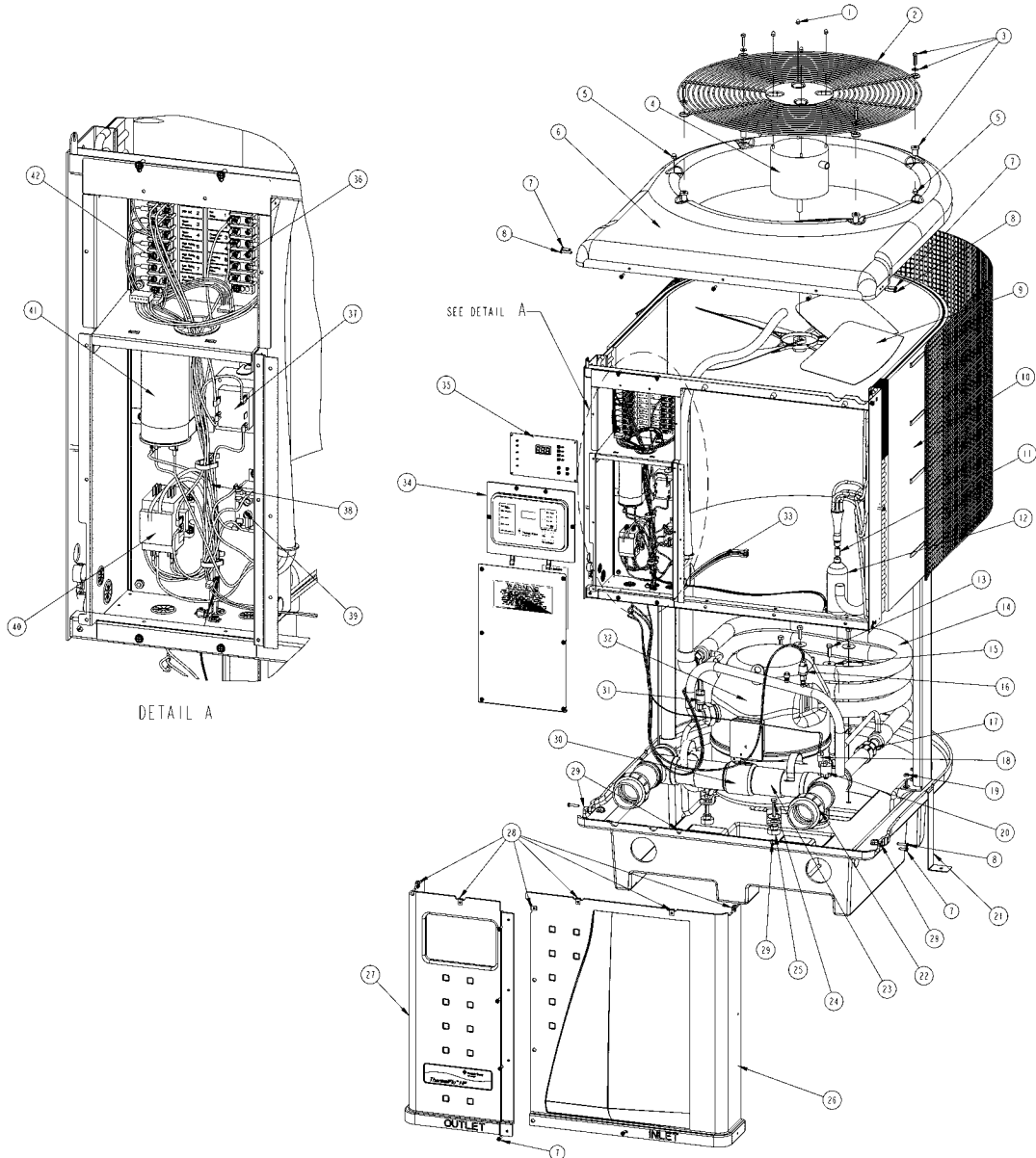
▲ **WARNING:** Cancer and Reproductive Harm.  
▲ **AVERTISSEMENT:** Peut Causer le Cancer et des Dommages au Système Reproducteur.  
▲ **ADVERTENCIA:** Cáncer y Daño Reproductivo.

www.p65warnings.ca.gov. PN2007RA

# THERMALFLO™ HEAT PUMP

460812, 460813, 460814, 460815, & 460822

## REPLACEMENT PARTS



CALIFORNIA PROPOSITION 65 WARNING

⚠ **WARNING:** Cancer and Reproductive Harm.  
 ⚠ **AVERTISSEMENT:** Peut Causer le Cancer et des Dommages au Système Reproducteur.  
 ⚠ **ADVERTENCIA:** Cáncer y Daño Reproductivo.  
[www.p65warnings.ca.gov](http://www.p65warnings.ca.gov)



# THERMALFLO™ HEAT PUMP (CONT'D)

## REPLACEMENT PARTS




Item	Part No.	Description
<b>THERMALFLO HP</b>		
1	470439	Nut, 10-32 SS acorn <sup>2</sup>
2	473368	Fan guard
3	470441	Fastener kit, fan guard, 1 set
4	470289	Fan motor w/ acorn nuts
5	473285	Nut, 1/4-20 SS acorn
6	473134	Top
7	470159	Screw, 10 x 3/4 in. pan head phillips, almond head
8	470161	Screw, No.10 x 1 in. button head torx, almond head
9	473223	Blade, fan
11	473144	Orifice, reversing, Model No. 1200R
11	473145	Orifice, Model No. 500, 700, 900, 1200, 1200C
12	473121	Drier, Model No. 500, 700, 900, 1200, 1200C
12	473139	Drier, reversible, Model No. 1200R
13	98219800	Bolt 5/16-18 x 1 in., SS
14	473416	Coil, water, Model No. 500
14	473417	Coil, water, Model No. 700, 900, 1200, 1200R, 1200C
15	473295	Washer, fender
16	473175	Switch, low pressure
17	473116	Compression fitting, water line, Model No. 500
17	473117	Compression fitting, water line, Model No. 700, 900, 1200, 1200R, 1200C
18	471566	Probe, Thermistor
19	071406	Nut, 1/4-20 hex SS
20	473605	Switch, water pressure
21	470137	Bracket, tie down
22	473381	Union, 2 in. PVC
23	473320	Manifold, water bypass w/ hartford loop, Model No. 700, 900, 1200, 1200R, 1200C
23	473424	Manifold, water bypass w/ hartford loop, Model No. 500
24	473294	Bolt 5/16-18 x 1-3/4 in. SS
25	473026	Compressor isolation kit, grommet & spacer, 1 set
26	473412	Panel, front right, Model No. 500, 700
26	473431	Panel, front right, Model No. 900, 1200, 1200R, 1200C

Item	Part No.	Description
27	470419	Panel, front left, w/ decal, Model No. 500, 700
27	470434	Panel, front left, w/ decal, Model No. 900, 1200, 1200R, 1200C
28	470281	Nut, U-clip
29	470284	Nut, J-clip
30	R172305	Valve, check
31	473172	Switch, high pressure
32	473024Z	Compressor, Trane GH633-LL1-G, Model No. 500, 700, 900
32	473025Z	Compressor, Trane GH673-LM1-G, Model No. 1200, 1200R, 1200C
33	470147	Wire harness, compressor
34	473693	Bezel, control board w/ label
35	472734	Control board assembly
36	473422	Wire harness, fan & compressor terminal block
37	473155	Transformer
38	473423	Wire harness, main
39	473150	Relay, fan
40	473149	Contacto
41	470146	Capacitor
42	473315	Wire harness, sensor terminal block
<b>NOT SHOWN</b>		
	473606	Rubber boot cover for water pressure switch
	473135	Reversing valve w/ coil, Model No. 1200R
	473136	Solenoid, reversing, Model No. 1200R <sup>1</sup>
	473432	Coil for reversing valve <sup>2</sup>
	473035	RotoLock Hi Side with Gasket
	473034	RotoLock Lo Side with Gasket

<sup>1</sup> For unit manufactured before 9-1-05.

<sup>2</sup> For units manufactured after 9-1-05.

CALIFORNIA PROPOSITION 65 WARNING

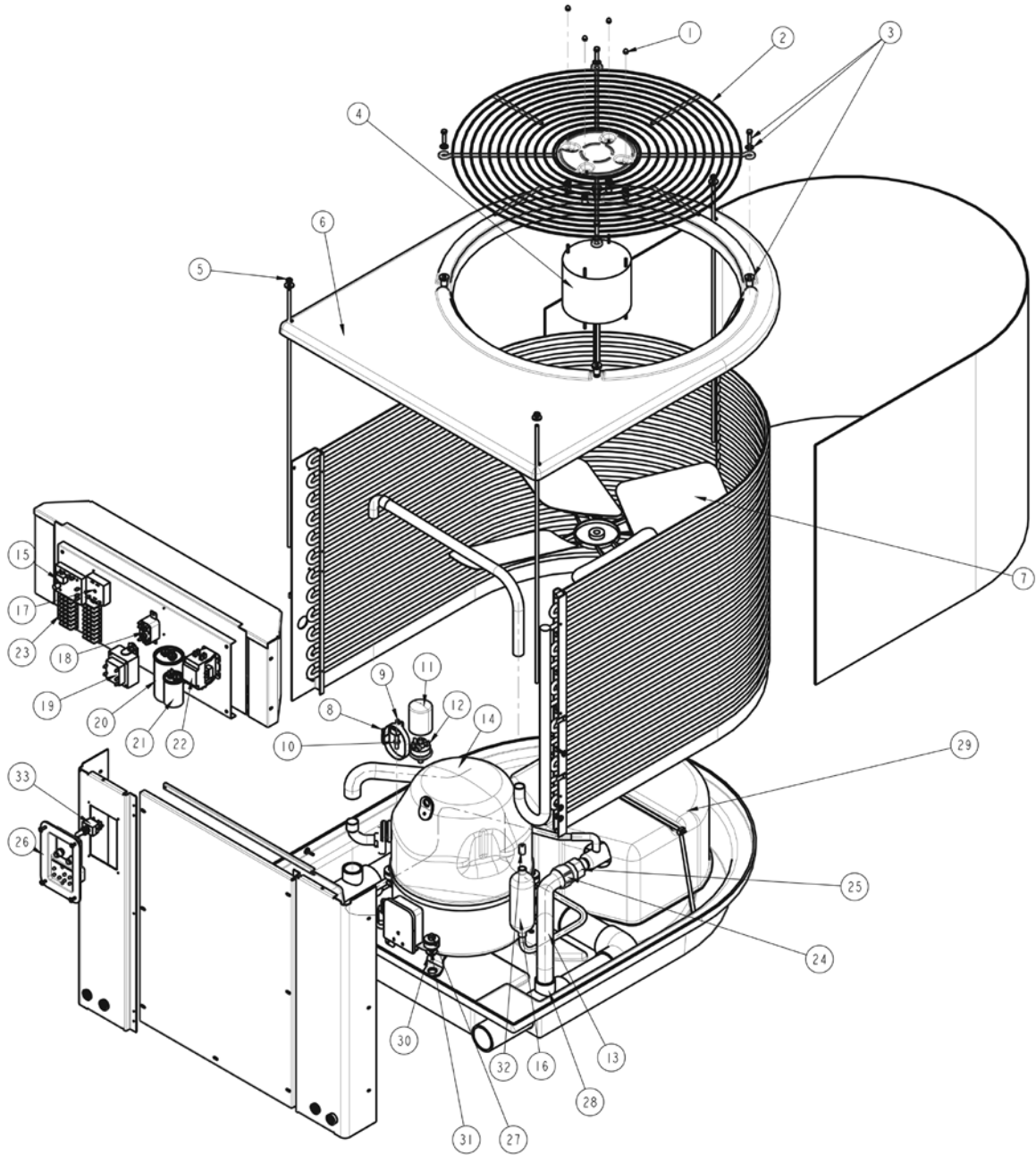
 **WARNING:** Cancer and Reproductive Harm.  
 **AVERTISSEMENT:** Peut Causer le Cancer et des Dommages au Système Reproducteur.  
 **ADVERTENCIA:** Cáncer y Daño Reproductivo.

[www.p65warnings.ca.gov](http://www.p65warnings.ca.gov)
PR020114A



# MINIMAX® PLUS HP HEAT PUMP

## REPLACEMENT PARTS



CALIFORNIA PROPOSITION 65 WARNING

⚠ **WARNING:** Cancer and Reproductive Harm.  
 ⚠ **AVERTISSEMENT:** Peut Causer le Cancer  
 et des Dommages au Système Reproducteur.  
 ⚠ **ADVERTENCIA:** Cáncer y Daño Reproductivo.  
[www.p65warnings.ca.gov](http://www.p65warnings.ca.gov)

PK2017LA

# MINIMAX® PLUS HP HEAT PUMP (CONT'D)

## REPLACEMENT PARTS

Item	Part No.	Description
<b>MINIMAX PLUS HP</b>		
1	470439	Nut, 10-32 SS acorn
2	473368	Fan guard
3	470441	Fastener kit, fan guard, 1 set
4	473224	Motor, fan
5	473285	Nut, 1/4-20 SS acorn
6	473222	Top
7	473223	Fan blade
8	9321004	Hose clamp, 2-3/4 in.
9	520272	Temperature sensor, 10K OHM, 40 in.
10	9142109	O-ring 2-109
11	473364	Protective cap for water pressure switch
12	473070	Water pressure switch
14	473024	Compressor, Trane GH633-LLI-G, Model No. 400, 600, 800
14	473025	Compressor, Trane GH673-LMI-G, Model No. 1000, 1000R, CHILLR
15	473157	Circuit board, Honeywell
16	473121	Drier, Model No. 400, 600, 800, 1000, CHILLR
16	473139	Drier, Model No. 1000R
17	473156	Time delay SSAC
18	473150	Relay, fan
19	473155	Transformer
20	473198	Capacitor, 50 MFD 440V
21	473154	Capacitor, 7.5 MFD 370V
22	473149	Contact, compressor
23	473160	Terminal block 8 POS
24	473068	Adapter, male, Model No. 400, 600, 800
24	473069	Adapter, male, Model No. 1000, 1000R, CHILLR
25	473116	Quest nut, ASM 3/4 NPT, Model No. 400, 600
25	473117	Quest nut, ASM 3/4 NPT, Model No. 800, 1000, 1000R, CHILLR
26	473216	Thermostat, Model No. 400, 600, 800, 1000
26	473221	Thermostat, Model No. 1000R

Item	Part No.	Description
27	473294	Bolt, 5/16-18 x 1-3/4 in. SS
28	473059	Bypass assembly with check valve
29	473051	Water coil assembly, Model No. 400, 600
29	473052	Water coil assembly, Model No. 800, 1000, 1000R, CHILLR
30	473295	Washer, fender
31	473026	Compressor isolation kit
32	473144	Orifice, reversible, Model No. 1000R
32	473145	Orifice, reversible, Model No. 400, 600, 800, 1000, CHILLR
33	473181	Switch, 3 position toggle
<b>NOT SHOWN</b>		
	473135	Valve, reversing, Model No. 1000R
	473168	Wire harness electrical
	473169	Wire harness, Trane compressor
	473172	Switch 500/ 380 hi-pressure
	473175	Switch 90/120 lo-pressure, Model No. 400, 600, 800, 1000
	473176	Switch 40/80 lo-pressure, Model No. 1000R, CHILLR
	155187	Switch toggle double insulated, Model No. CHILLR
	473381	Union nuts - 2 in.
	473035	RotoLock Hi Side with Gasket
	473034	RotoLock Lo Side with Gasket

CALIFORNIA PROPOSITION 65 WARNING

⚠ **WARNING:** Cancer and Reproductive Harm.  
 ⚠ **AVERTISSEMENT:** Peut Causer le Cancer et des Dommages au Système Reproducteur.  
 ⚠ **ADVERTENCIA:** Cáncer y Daño Reproductivo.

[www.p65warnings.ca.gov](http://www.p65warnings.ca.gov)
PR020174

