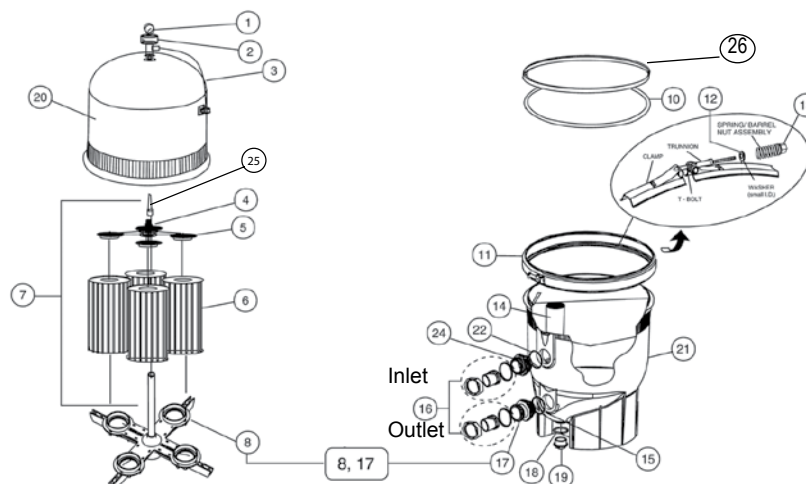


FILTER PARTS

Product Catalog 2022

CLEAN & CLEAR® PLUS FILTERS

REPLACEMENT PARTS FOR FIBERGLASS REINFORCED POLYPROPYLENE TANK



Item	Part No.	Description
CLEAN & CLEAR PLUS FILTERS		
1	190058Z	Gauge, pressure, 1/4 in.
2	98209800	High Flow manual air relief valve, HFMARV
4	178616	Spring, compression ²
5	170026	Manifold, top assembly, 240 sq. ft. ²
5	170027	Manifold, top assembly, 320, 420 & 520 sq. ft. ²
6	R173572	Cartridge element, 240 sq. ft., 4 req.
6	R173573	Cartridge element, 320 sq. ft., 4 req.
6	R173576	Cartridge, 420 sq. ft., 4 req. ²
6	R173578	Cartridge, 520 sq. ft., 4 req. ²
6	179133	CNC Plus 240 Cartridge (4/pk)
6	179134	CNC Plus 320 Cartridge (4/pk)
6	179135	CNC Plus 420 Cartridge (4/pk)
6	179136	CNC Plus 520 Cartridge (4/pk)
7	170030	Air bleed tube assembly, 240 sq. ft.
7	55028500	Air bleed tube assembly, 360, 420 sq. ft. ¹
7	170029	Air bleed tube assembly, 320 sq. ft. ²
7	170028	Air bleed tube assembly, 420 sq. ft. ²
7	55028400	Air bleed tube assembly, 500 sq. ft. ¹
7	178583	Air bleed tube assembly, 520 sq. ft. ²
8	170035	Manifold, bottom/pipe assembly, outlet ³
8	170040	Manifold, bottom ⁴
10	39010200Z	O-ring, clamp
11	190003	Clamp kit, tension control
12	53006300Z	Washer, .325 i.d. for filter clamp
12	195610	Washer, sm. i.d.
13	53108900Z	Spring/barrel nut assembly
14	190039	Baffle, bulkhead assembly ²
15	86006900	O-ring, bulkhead, lower
16	98960311	Bulkhead union, set ¹
16	271096	Bulkhead adapter kit, 2 in. O.D. white
16	270004	Bulkhead adapter kit, 2 in. O.D. black

Item	Part No.	Description
16	270100	Bulkhead union kit, 2 in. I.D. Black
16	274426	Bulkhead adapter kit, 2-1/2 in. x 2 in. I.D. White
17	170035	Pipe assembly, outlet/manifold, bottom (includes bulkhead 178575 and O-rings 86006900 & 3544571) ²
18	86300500	Drain cap gasket ¹
18	51005000	O-ring for drain plug ²
18	191474	O-ring for drain plug ⁸
19	51516200	Drain cap ¹
19	86202000	Plug, 1-1/2 in. drain with O-ring ²
19	190030Z	Cap plug ⁸
20	170023	Tank, lid assembly, 240 sq. ft.
20	170024	Tank, lid assembly, 320 sq. ft.
20	178581	Tank, lid assembly, 420 sq. ft. ²
20	178550	Tank, lid assembly, 500 sq. ft. ¹
20	178582	Tank, lid assembly, 520 sq. ft. ²
21	178578	Tank, bottom assembly ²
22	192320	O-ring, bulkhead, upper ²
22	86006900	O-ring, bulkhead, upper & lower ^{1,7}
23	195339	SS back-up ring ⁵
24	194801	Bulkhead, 2-3/8, 8 buttress thread ²
25	190106Z	Air Screen
26	195339	RNG Backup Ring SS
NOT SHOWN		
	192019	Drain plug wrench
	178708	Parts Bag - includes warranty card, instructions, and items 1, 2, and 16.

¹ Used on filters manufactured before 11/98.

² Used on filters manufactured after 11/98.

³ Used on filters manufactured between 11/98 thru 12/00.

⁴ Used on filters manufactured after 12/00.

⁵ Used on filters manufactured after 3/03.

⁶ Used on filters manufactured between 3/03, thru 7/1/03.

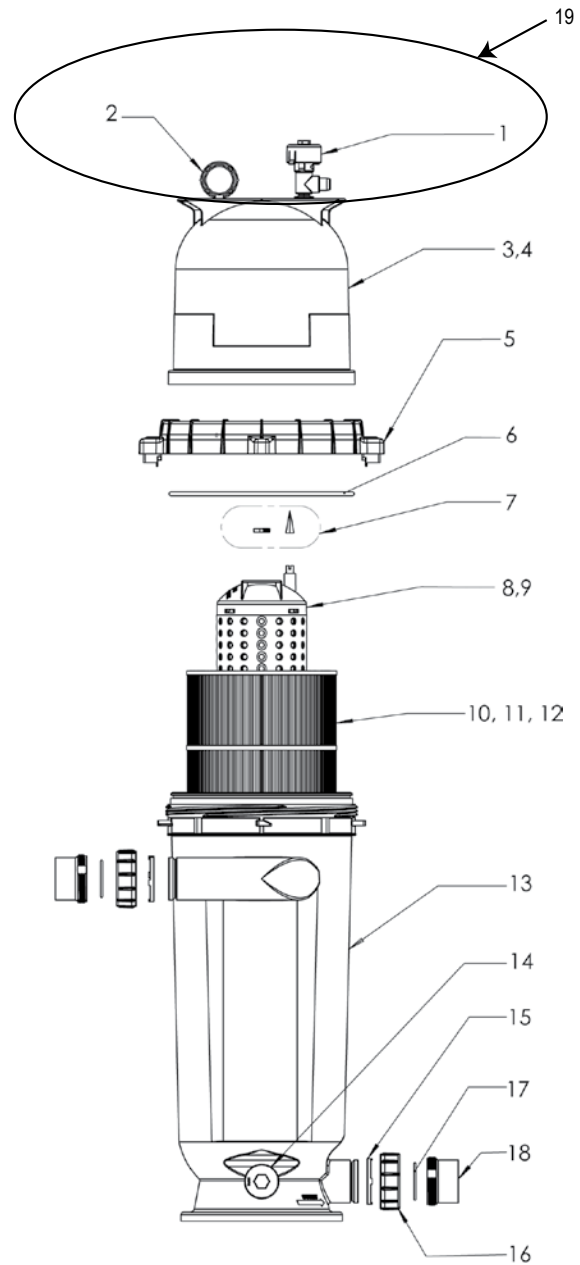
⁷ Used on filters manufactured after 10/04.

⁸ Used on filters manufactured after 5/21/05.

CLEAN & CLEAR® RP FILTERS

REPLACEMENT PARTS FOR FIBERGLASS REINFORCED POLYPROPYLENE TANK

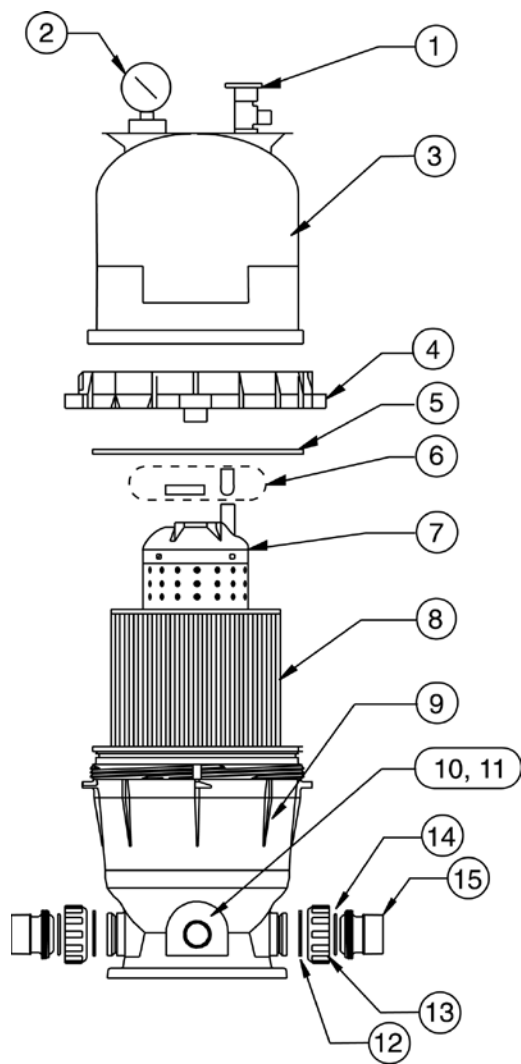
Item	Part No.	Description
CLEAN & CLEAR RP FILTERS		
1	98209800	High flow manual air relief valve
2	190058Z	Pressure gauge
3	178548Z	Lid, 100 sq. ft. filter
4	178546Z	Lid, 150, 200 sq. ft. filter
5	59052900	Locking ring assembly
6	87300400Z	Body O-ring
7	59016200	Air bleed sock kit
8	59053700	Center core, 100 sq. ft. filter
9	59053800	Center core, 150, 200 sq. ft. filter
10	R173215	Cartridge element, 100 sq. ft. filter
11	R173216	Cartridge element, 150 sq. ft. filter
12	R173217	Cartridge element, 200 sq. ft. filter
13	178731Z	Tank bottom
14	154712Z	Drain cap assembly
14	191474	O-ring
14	190030Z	Drain Cap Plug
15	178732Z	Union nut "C" clip
16	U11-200PSZ	Union nut
17	178746Z	Union diamond seal
18	178733Z	Union, threaded half
19	170096	Air relief kit
NOT SHOWN		
154715		Drain cap gasket



CALIFORNIA PROPOSITION 65 WARNING
 ⚠️ **WARNING:** Cancer and Reproductive Harm.
 ⚠️ **AVERTISSEMENT:** Peut Causer le Cancer et des Dommages au Système Reproducteur.
 ⚠️ **ADVERTENCIA:** Cáncer y Daño Reproductivo.
www.p65warnings.ca.gov PN 20074

CLEAN & CLEAR® / PREDATOR™ FILTERS

REPLACEMENT PARTS FOR FIBERGLASS REINFORCED POLYPROPYLENE TANK



Item	Part No.	Description
CLEAN & CLEAR / PREDATOR FILTERS		
1	98209800	High Flow manual air relief valve
2	190058Z	Gauge, pressure
3	178553	Lid, 50, 100 sq. ft., almond
3	178561	Lid, 75, 150, 200 sq. ft., almond
4	59052900	Locking ring assembly
5	87300400Z	Body O-ring
6	59016200	Air bleed sock kit
7	59053500	Center core 50 sq. ft.
7	59053600	Center core 75 sq. ft.
7	59053700	Center core 100 sq. ft.
7	59053800	Center core 150, 200 sq. ft.
8	R173213	Cartridge element 50 sq. ft.
8	R173214	Cartridge element 75 sq. ft.
8	R173215	Cartridge element 100 sq. ft.
8	R173216	Cartridge element 150 sq. ft.
8	R173217	Cartridge element 200 sq. ft.
9	178562	Bottom 50 sq. ft., almond
9	178554	Bottom 75 sq. ft., almond
9	178563	Bottom 100 sq. ft., almond
9	178560	Bottom 150, 200 sq. ft., almond
10	51516200	Drain cap ¹
10	86202000	Plug, 1-1/2 in. drain, w/ O-ring ²
11	86300500	Drain cap gasket ¹
11	51005000	O-ring, drain cap ²
12	39104500	Union nut "C" clip
13	98212200	Union nut
14	071426	O-ring, union
15	79304600	Body, swivel

¹ Used on filters manufactured before 11/98.

² Used on filters manufactured after 11/98.

CALIFORNIA PROPOSITION 65 WARNING

⚠ **WARNING:** Cancer and Reproductive Harm.
 ⚠ **AVERTISSEMENT:** Peut Causer le Cancer et des Dommages au Système Reproducteur.
 ⚠ **ADVERTENCIA:** Cáncer y Daño Reproductivo.

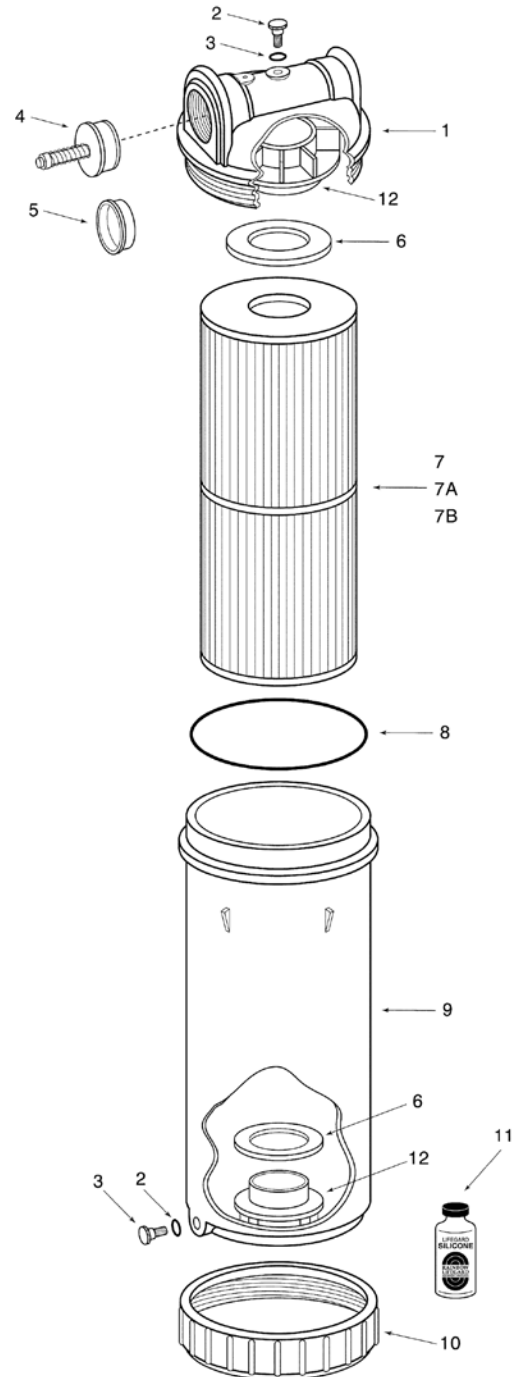
www.p65warnings.ca.gov
PR030714A

DYNAMIC® FILTER SERIES I - MODEL RDC

REPLACEMENT PARTS

Item	Part No.	Qty.	Description
DYNAMIC SERIES 1 INLINE CARTRIDGE FILTER MODELS: RDC-25 & RDC-25S, RDC-50 & RDC-50S			
1	R172213	1	Manifold only, 1-1/2 in. FPT
1	R172213S	1	Manifold only, 1-1/2 in. socket
1	R172213XT	1	Manifold only, black, 1-1/2 in. FPT
1	R172213X	1	Manifold only, black, 1-1/2 in. socket
1A	R172213C	1	Complete manifold, 1-1/2 in. FPT ¹
1A	R172213SC	1	Complete manifold, 1-1/2 in. socket ¹
1A	R172213PT	1	Complete manifold, black, 1-1/2 in. FPT ¹
1A	R172213P	1	Complete manifold, black, 1-1/2 in. FPT ¹
2	R172221Z	2	O-ring for drain & vent valve
3	R172224XZ	2	Drain and vent valve, black
4	R172226X	1	By-pass assembly, black
5	R172225X	1	Plug to disable by-pass, black
6	R172222Z	2	Cartridge gasket
7	R173428	1	25 sq. ft. cartridge, 6 oz.
7B	R173434	1	Cartridge, 3 oz., 13-1/4 in., 50 sq. ft.
8	R172223Z	1	O-ring for cartridge housing
9	R172212	1	Cartridge housing
9	R172212X	1	Cartridge housing, black
10	R172214	1	Lock ring
11	R172036Z	Opt.	Silicone lubricant
12	R172232X	2	Support ring, black

¹ Complete manifold includes No. 1, No. 2, No. 3, No. 4, No. 6 and No. 12.

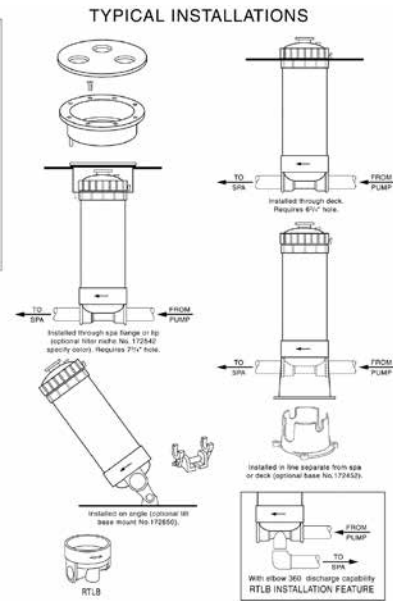
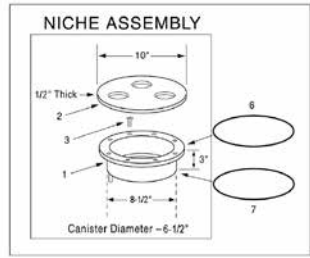
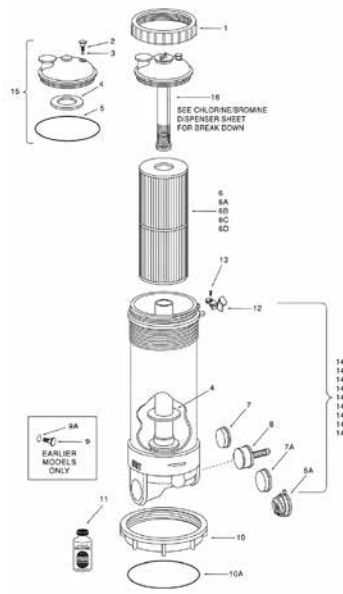


CALIFORNIA PROPOSITION 65 WARNING

⚠ **WARNING:** Cancer and Reproductive Harm.
 ⚠ **AVERTISSEMENT:** Peut Causer le Cancer
 et des Dommages au Système Reproducteur.
 ⚠ **ADVERTENCIA:** Cáncer y Daño Reproductivo.
www.p65warnings.ca.gov

DYNAMIC® FILTER SERIES II & III RTL/RCF

REPLACEMENT PARTS



Item	Part No.	Qty.	Description
TOP LOAD IN LINE CARTRIDGE FILTER MODEL RTL/RCF 1-1/2 IN. & 2 IN. HIGH FLOW			
1	R172214	1	Lock ring
2	R172224XZ	1	Air vent valve
3	R172221Z	1	O-ring for air vent valve
4	R172222Z	2	Gasket, cartridge
5	R172223Z	1	O-ring lid to housing
6	R173428	1	25 sq. ft. cartridge, 6 oz. ¹
6A	R172327	1	25 sq. ft. cartridge, 3 oz. ¹
6B	R173434	1	50 sq. ft. cartridge ¹
6C	R173435	1	75 sq. ft. cartridge
6D	R172633		100 sq. ft. cartridge
7	R172225X	1	1-1/2 in. Plug to disable by-pass
7A	R172679	1	2 in. Plug to disable by-pass
8	R172226X	1	1-1/2 in. By-pass assembly
8A	R172684	1	2 in. By-pass assembly
8B	R172226XF	1	1-1/2 in. By-pass assembly, low flow
9	R172392	2	1/4 in. Access plug, earlier models
9A	R172393	2	Access plug O-ring, earlier models
10	R172370	1	Bottom locking flange
10A	R170070	Opt.	O-ring, locking flange
11	R172036Z	Opt.	Silicone lubricant
12	R172374	1	Lock spring
13	R172375	1	Lock screw

Item	Part No.	Qty.	Description
14	R172386	1	RTL/RCF-25 housing assembly 1-1/2 in., slip ²
14A	R172387	1	RTL/RCF-25 housing assembly 1-1/2 in., FPT ²
14B	R172388	1	RTL/RCF-50 housing assembly 1-1/2 in., slip ²
14C	R172389	1	RTL/RCF-50 housing assembly, 1-1/2 in., FPT ²
14E	R172421	1	RTL/RCF-25 housing assembly, 2 in. slip ²
14F	R172428	1	RTL/RCF-50 housing assembly, 2 in. slip ²
14G	R172638	1	RTL/RCF-75 housing assembly, 2 in. slip ²
14H	R172639	1	RTL/RCF-100 housing assembly, 2 in. slip ²
15	R172385	1	Lid assembly, complete
16	R172540	1	Chlorine/bromine dispenser, complete, RCF
RTL AND RCF NICHE ASSEMBLY (R172542)			
1	R172610DG	1	Niche only, dark grey
3	R172612	8	No. 10 x 3/4, SS flat head screw
4	R170072	Opt.	O-ring, niche to spa
5	R170070	Opt.	O-ring, filter to niche
NOT SHOWN			
	R172452	Opt.	Free standing base
	R170070	Opt.	O-ring, filter to niche
	R170072	Opt.	O-ring, niche to spa

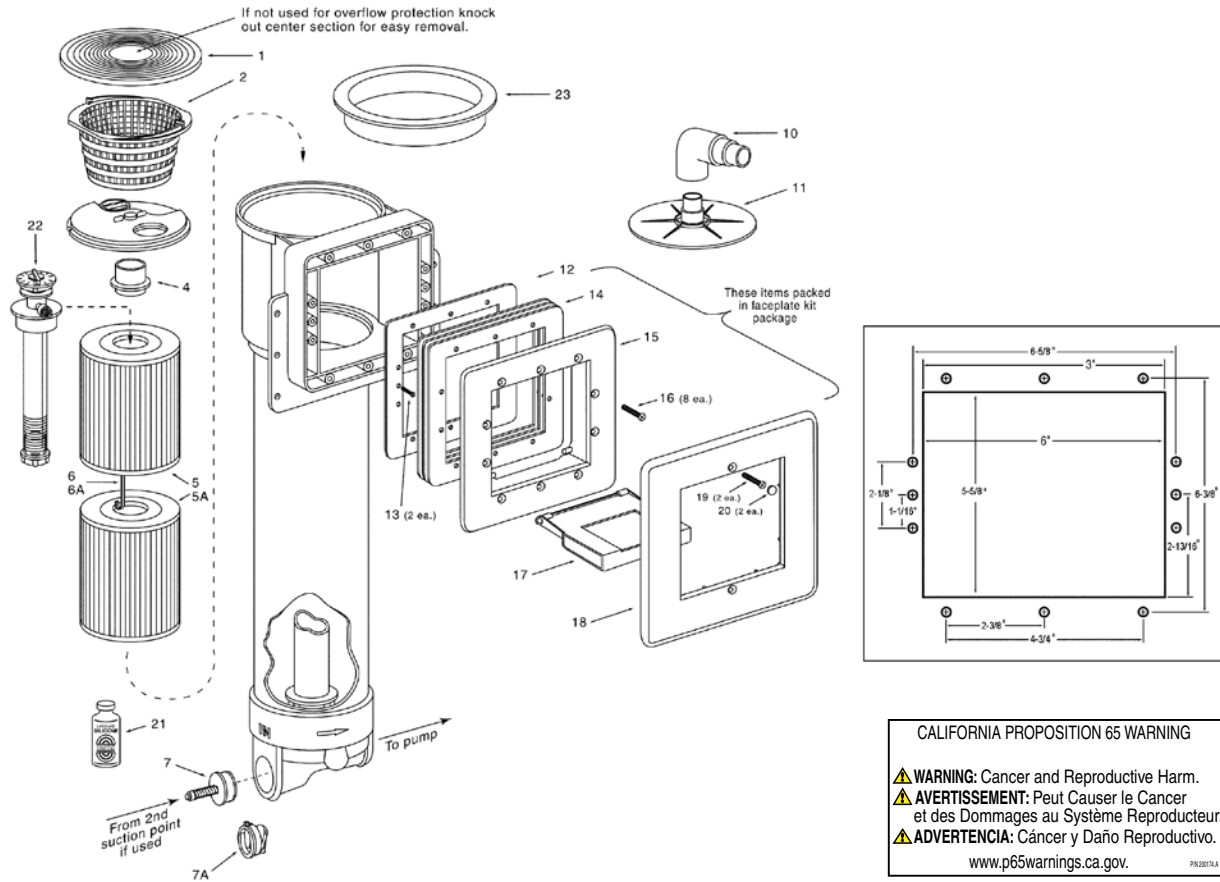
¹ All three cartridges are interchangeable.

² Only one applies to your filter, check model number when ordering.

Note: Specify color of cover and niche desired by adding letters after part no., as follows: SS (sterling silver), WH (white), BLK (black).

DYNAMIC® FILTER SERIES IV - MODEL DSF

REPLACEMENT PARTS

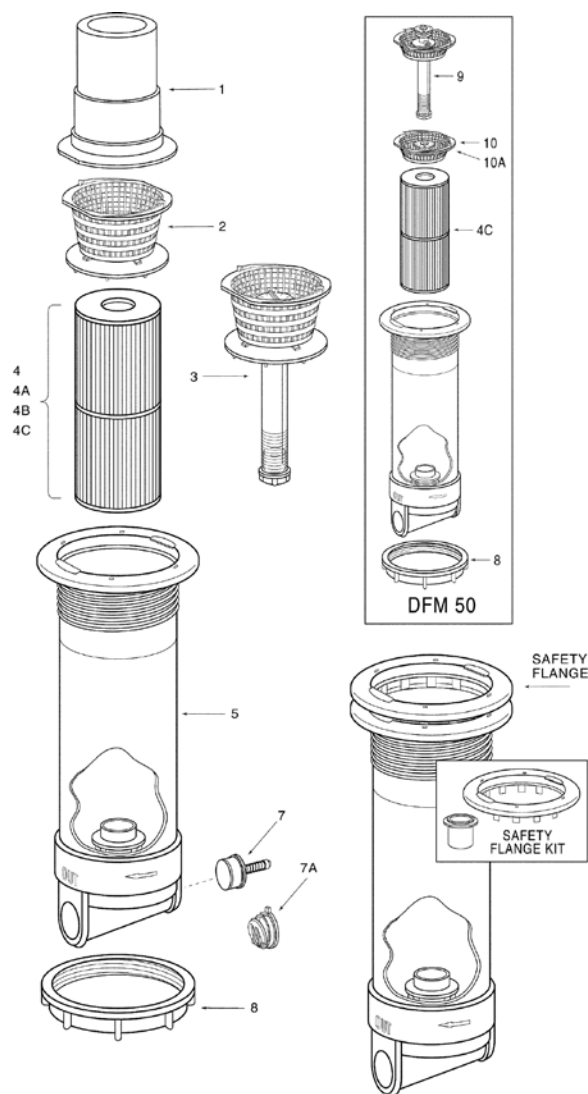


Item	Part No.	Qty.	Description
SKIM FILTER			
1	R172468	1	Cover
2	R172467	1	Basket assembly
4	R172465	1	Cartridge plug
6	R172477	1	Cartridge puller, DSF 50 only
6A	R172608	1	Cartridge puller, DSF 35 only
7	R172226X	1	By-pass assembly, 1-1/2 in.
7A	R172684	1	By-pass assembly, 2 in.
	R172393	2	O-ring, access plug, earlier models
	R172392	2	1/4 in. Access plug, earlier models
10	R172480	1	90° Vac plate adapter
11	R172479	1	Vac plate

Item	Part No.	Qty.	Description
FACE PLATE KIT			
12	R172470	1	Gasket-rear
13	R172475	2	Screw, 13-16 x 3/4 in. hi-lo pan head
14	R172471	1	Gasket-front face plate
15	R172472	1	Face plate
16	R172474	8	Screw, 13-16 x 1-1/4 in. hi-lo flat head
17	R172469	1	Weir gate assembly
18	R172473	1	Safety face plate cover, white
19	R172483	2	Screw, 13-16 x 1-5/8 in. hi-lo flat head
20	R172605	2	Screw hole plug
21	R172036Z	Opt.	Silicone lubricant
22	R172560	Opt.	DSF Chlorine/bromine dispenser
23	R172624	1	Extension Flange 1.5"

DYNAMIC® FILTER SERIES IV - DFM, DFML

REPLACEMENT PARTS



Item	Part No.	Qty.	Description
DFML 25C, 25, 35, 50 LILY PAD SKIM FILTER			
1	R172660	1	Lily skimmer float assembly
2	R172661	1	Lily basket w/ restrictor assembly
3	R172662	1	Lily chemical dispenser w/ basket and restrictor assembly
4A	R172327	1	Cartridge, 25 sq. ft., 13-1/4
4B	R173431	1	Cartridge, 35 sq. ft., 9-1/4
4C	R173434	1	Cartridge, 50 sq. ft., 13-1/4
5	R172665X	1	Housing only DFML-25 WH compact w/safety flange
7	R172682	1	2 in. By-pass assembly
8	R172370	1	Bottom locking flange
DFM 50 LOW PROFILE, NO WEIR			
9	R172562	1	Chemical dispenser w/ short basket
10	R22113	1	Basket assembly, short
10A	R172686	Opt	Basket short w/ restrictor assembly

CALIFORNIA PROPOSITION 65 WARNING

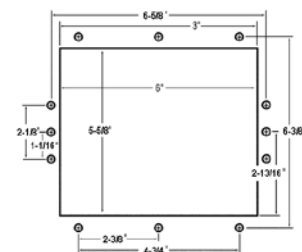
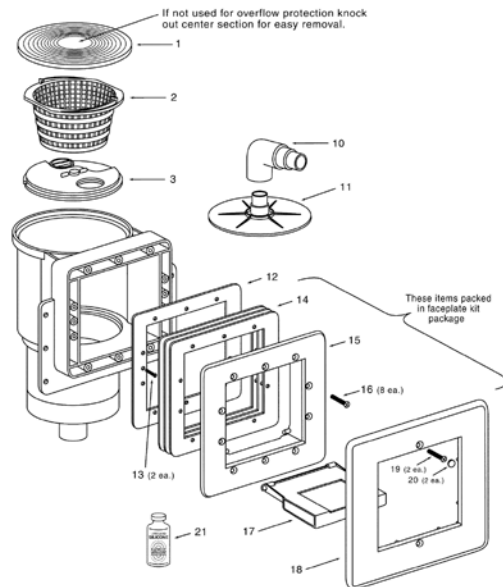
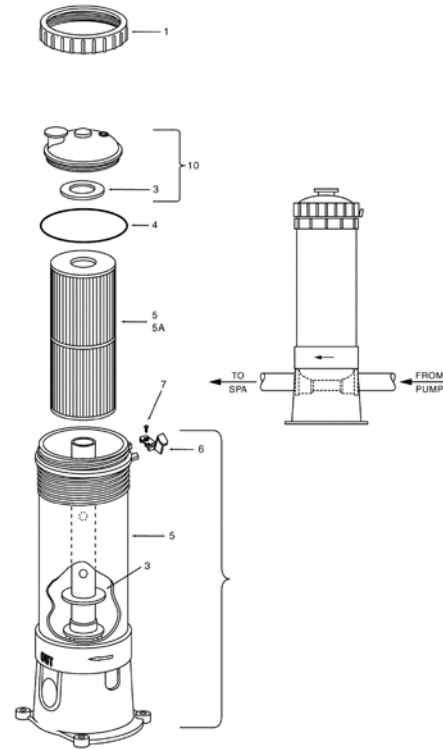
⚠ **WARNING:** Cancer and Reproductive Harm.
 ⚠ **AVERTISSEMENT:** Peut Causer le Cancer et des Dommages au Système Reproducteur.
 ⚠ **ADVERTENCIA:** Cáncer y Daño Reproductivo.

www.p65warnings.ca.gov. P6500714

DYNAMIC® FILTER SERIES V - DSC/SWS SAFETY WALL SKIMMER

REPLACEMENT PARTS

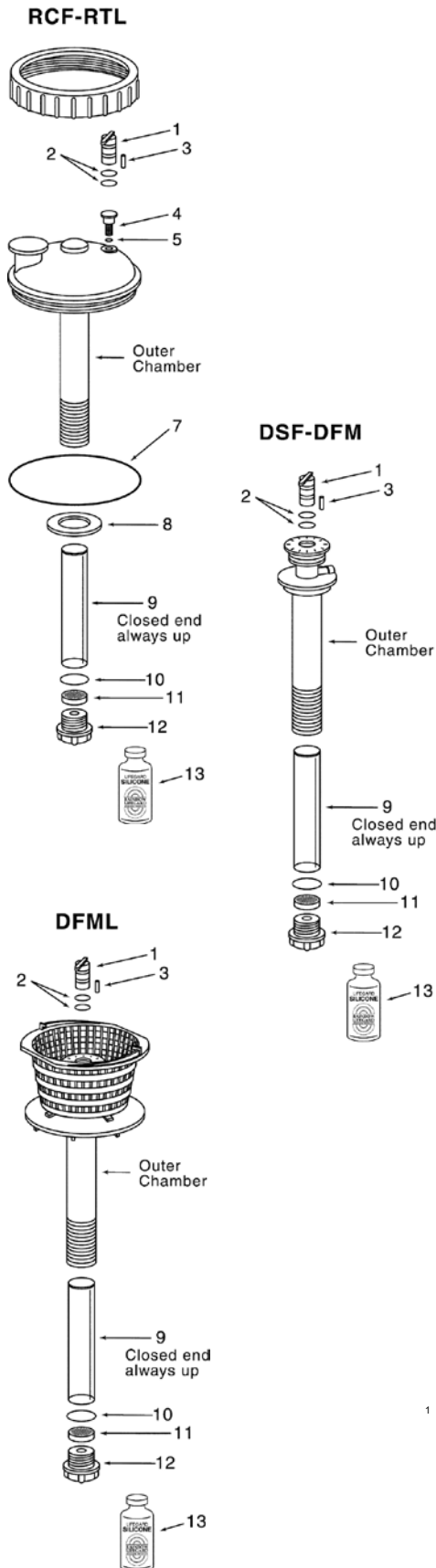
Item	Part No.	Qty.	Description
DSC 75, DSC 100 TOP LOAD IN LINE CARTRIDGE FILTER			
1	R172214	1	Lock ring
3	R172222Z	2	Gasket, cartridge
4	R172223Z	1	O-ring, lid to housing
5	R173435	1	75 sq. ft. cartridge
6	R172374	1	Lock spring
7	R172375	1	Lock screw
10	R172385A	1	Lid assembly, complete
21	R172036Z	Opt.	Silicone lubricant
SAFETY WALL SKIMMER			
1	R172468	1	Cover
2	R172467	1	Basket assembly
10	R172480	1	90° Vac plate adapter
11	R172479	1	Vac plate
FACE PLATE KIT			
12	R172470	1	Gasket, rear
13	R172475	2	Screw, 13-16 x 3/4 in. hi-lo pan head
14	R172471	1	Gasket, front face plate
15	R172472	1	Face plate
16	R172474	8	Screw, 13-16 x 1-1/4 in. hi-lo flat head
17	R172469	1	Weir gate assembly
18	R172473	1	Safety face plate cover, white
19	R172483	2	Screw, 13-16 x 1-5/8 in. hi-lo flat head
20	R172605	2	Screw hole plug
21	R172036Z	Opt.	Silicone lubricant



CALIFORNIA PROPOSITION 65 WARNING
⚠️ WARNING: Cancer and Reproductive Harm.
⚠️ AVERTISSEMENT: Peut Causer le Cancer et des Dommages au Système Reproducteur.
⚠️ ADVERTENCIA: Cáncer y Daño Reproductivo.
www.p65warnings.ca.gov PK30075A

DYNAMIC® FILTER SERIES CHLORINE/BROMINE DISPENSERS

REPLACEMENT PARTS



Item	Part No.	Qty.	Description
CHLORINE/BROMINE DISPENSER (R172540/R172540F FOR RCF-RTL)			

1	R172399	1	Control valve stem
2	R33017	2	O-ring, control valve
3	R18854	1	Stop pin
4	R172224XZ	1	Air vent valve
5	R172221Z	1	O-ring for air vent valve
6	R172400	1	Inlet screen ¹
7	R172223Z	1	O-ring lid to housing
8	R172222Z	1	Gasket, cartridge
9	R172457	1	Replacement inner chamber
10	R172451	1	O-ring, check valve
11	R172401	1	Screen, check valve ¹
12	R172406	1	Check valve assembly
13	R172036Z	Opt.	Silicone lubricant

CHLORINE/BROMINE DISPENSER (R172560 FOR DSF-DFM)			
---	--	--	--

1	R172399	1	Control valve stem
2	R33017	2	O-ring, control valve
3	R18854	1	Stop pin
6	R172400	1	Inlet screen ¹
9	R172457	1	Replacement inner chamber
10	R172451	1	O-ring, check valve
11	R172401	1	Screen, check valve ¹
12	R172406	1	Check valve assembly
13	R172036Z	Opt.	Silicone lubricant

CHLORINE/BROMINE DISPENSER WITH BASKET (R172662 FOR DFML)			
--	--	--	--

1	R172399	1	Control valve stem
2	R33017	2	O-ring, control valve
3	R18854	1	Stop pin
6	R172400	1	Inlet screen ¹
9	R172457	1	Replacement inner chamber
10	R172451	1	O-ring, check valve
11	R172401	1	Screen, check valve ¹
12	R172406	1	Check valve assembly
13	R172036Z	Opt.	Silicone lubricant

¹ Item No. 6 and No. 11 screens are snapped into place and can easily be removed for cleaning or replacement.

CALIFORNIA PROPOSITION 65 WARNING

⚠ **WARNING:** Cancer and Reproductive Harm.
 ⚠ **AVERTISSEMENT:** Peut Causer le Cancer et des Dommages au Système Reproducteur.
 ⚠ **ADVERTENCIA:** Cáncer y Daño Reproductivo.

www.p65warnings.ca.gov
PH 202114

SYSTEM:3® MODULAR MEDIA FILTERS

SM SERIES REPLACEMENT PARTS



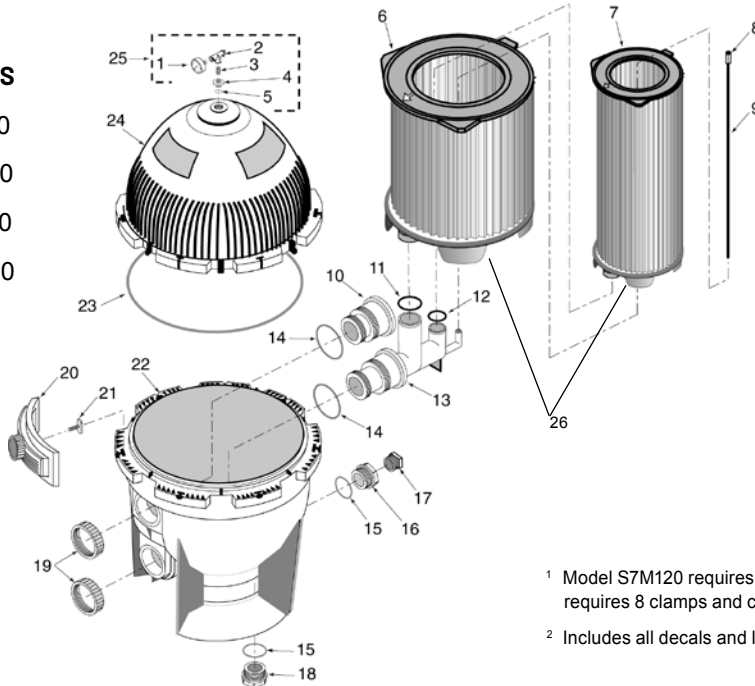
MODELS

S7M120

S7M400

S8M150

S8M500



CALIFORNIA PROPOSITION 65 WARNING
 ⚠️ **WARNING:** Cancer and Reproductive Harm.
 ⚠️ **AVERTISSEMENT:** Peut Causer le Cancer et des Dommages au Système Reproducteur.
 ⚠️ **ADVERTENCIA:** Cáncer y Daño Reproductivo.
www.p65warnings.ca.gov P192027RA

¹ Model S7M120 requires 7 clamps and clamp bolts. Model S8M 150 requires 8 clamps and clamp bolts.

² Includes all decals and labels.

Item	Part No.	Description		
SYSTEM:3 MODULAR MEDIA FILTERS				
1	33600-0023T	2 in. Gauge	50.83	61.08
2	154689Z	Air Release Valve	32.27	38.78
3	35202-0959	Nipple	14.91	17.92
4	24900-0504	Adapter Bushing	19.86	23.86
5	35505-1423	O-Ring	2.13	2.56
6	25022-0201S	Large Cartridge (S7M120, 21 in. Filter)	566.87	681.15
6	25022-0224S	Large Cartridge (S7M400, 21 in. Filter)	775.83	932.24
6	25022-0203S	Large Cartridge (S8M150, 25 in. Filter)	768.55	923.49
6	25022-0225S	Large Cartridge (S8M500, 25 in. Filter)	793.99	954.06
7	25021-0200S	Small Cartridge (S7M120)	285.26	342.77
7	25021-0223S	Small Cartridge (S7M400)	316.15	379.89
7	25021-0202S	Small Cartridge (S8M150)	472.38	567.61
7	25021-0224S	Small Cartridge (S8M500)	570.51	685.52
8	WC8-126Z	Air Bleed Filter	16.33	19.62
9	25021-0003	Air Bleed Tube	10.37	12.46
10	25021-0101	Baffle and Bulkhead Fitting	76.49	91.91
11	35505-1428	O-Ring	6.15	7.39
12	35505-1429	O-Ring	4.94	5.94
13	25021-0100	Elbow and Bulkhead Assembly	113.94	136.91
14	35505-1425	O-Ring	16.44	19.75
15	35505-1424	O-Ring	9.86	11.85
16	24900-0509	Adapter Fitting	30.55	36.71
17	27001-0022	1-1/2 in. NPT Plug	3.14	3.77
18	24900-0503	Drain Plug	30.38	36.50
19	24752-0050	Bulkhead Retaining Nut	26.24	31.53

Item	Part No.	Description
20	24850-0200	Clamp Assembly ¹
21	24850-0010	Clamp Bolt ¹
22	24850-0102S	Lower Tank Half, 21 in. Filter
22	24851-0103S	Lower Tank Half, 25 in. Filter
23	24850-0008	Cord Ring, 21 in. Filter
23	24850-0009	Cord Ring, 25 in. Filter
24	24851-9000	Upper Tank Half Kit, 21 in. Filter ²
24	24851-9001	Upper Tank Half Kit, 25 in. Filter ²
25	24850-0105	Valve & Gauge Assembly (Includes #1, 2, 3, 4, 5)
26	170145	S7M120 Inner/Outer Cartridge Pack
26	170146	S7M400 Inner/Outer Cartridge Pack
26	170147	S8M150 Inner/Outer Cartridge Pack
26	170148	S8M500 Inner/Outer Cartridge Pack

NOT SHOWN		
24850-0016	Clamp Retaining Ring ¹	
U212-252DS	Brass Deluxe Air Bleed (optional)	
U11-196PSZ	Adapter Union 2 in. Slip	
U11-200PSZ	Union Collar 2 in.	
PKG 188Z	2 in. Slip 1/2 Union Kit	
U9-362	O-Ring	
25021-0021	Modular media Conversion Kit (Includes #10, 11, 12, 13, 14, 19. Must also purchase item 6 and 7 separately)	

Product on pages 70–71.

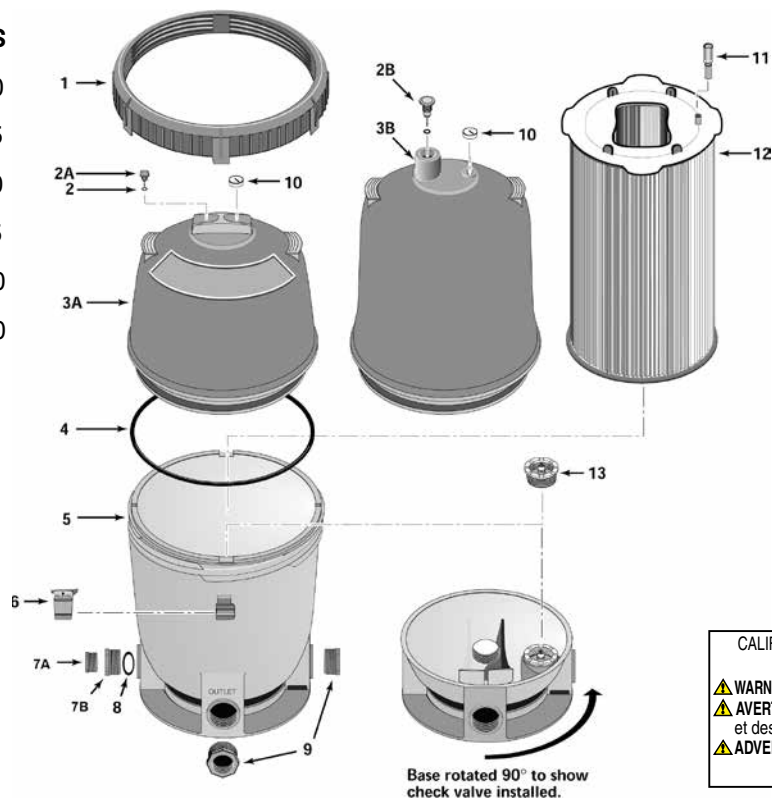
SYSTEM:2™ MODULAR MEDIA FILTERS

PLM SERIES REPLACEMENT PARTS



MODELS

- PLM100
- PLM125
- PLM150
- PLM175
- PLM200
- PLM300



CALIFORNIA PROPOSITION 65 WARNING
 ⚠️ WARNING: Cancer and Reproductive Harm.
 ⚠️ AVERTISSEMENT: Peut Causer le Cancer et des Dommages au Système Reproducteur.
 ⚠️ ADVERTENCIA: Cáncer y Daño Reproductivo.
www.p65warnings.ca.gov P/N 202174

Item	Part No.	Description
SYSTEM:2 MODULAR MEDIA FILTERS		
1	27001-0054S	Posi-Lok™ ring
2	U9-359	O-ring
2A	25010-0200	Air release valve assy. w/ O-ring P/N U9-359
2B	24206-0103S	Air vent stem w/ O-ring P/N 35505-7439
3A	27001-0020S	Tank shell upper half ^{1,5} Models PLM100, PLM125, PLM150, PLM175, PLM200
3B	27001-0030S	Tank shell upper half ^{1,5} Model PLM300
4	27001-0061S	Cord-ring
4	27001-0060S	Cord-ring (Pre 3/97) Models PLM100, PLM150
5	27001-0009S	Tank shell lower half ^{4,5}
6	27001-0051	Safety latch for ring
7A	27001-0022	1-1/2 in. NPT plug
7B	24900-0510	Adapter fitting
8	35505-1424	O-ring

Item	Part No.	Description
9	U78-820P	2 in. x 1-1/2 in. Pipe reducer ²
10	15060-0000T	Pressure gauge ³
11	24800-0121	Air bleed assembly
12	27002-0100S	Filter module - Model PLM100
12	27002-0125S	Filter module - Model PLM125
12	27002-0150S	Filter module - Model PLM150
12	27002-0175S	Filter module - Model PLM175
12	27002-0200S	Filter module - Model PLM200
12	27002-0300S	Filter module - Model PLM300
13	27001-0130S	Spring check valve ²
NOT SHOWN		
	33455-1050	Spring check valve gasket

¹ Includes all decals and labels.

² Optional Equipment.

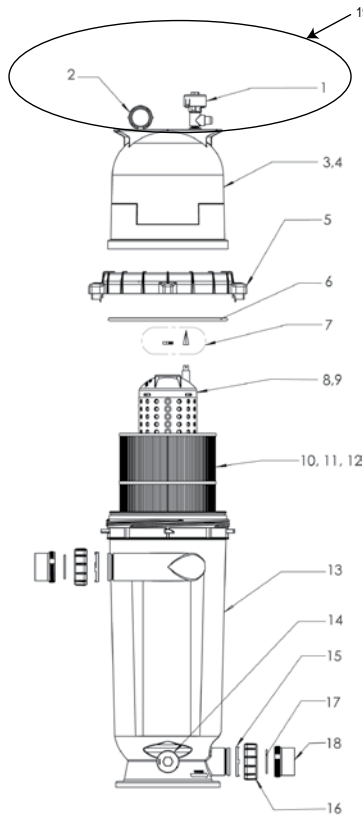
³ Shipped in accessory package.

⁴ Includes 24900-0510 adapter fitting, 27001-0051 safety latch, & 27001-0054 PosiLok™ ring.

⁵ Filters manufactured before 2005 should also purchase a top and bottom.

POSI-CLEAR™ RP FILTERS

PXC SERIES REPLACEMENT PARTS

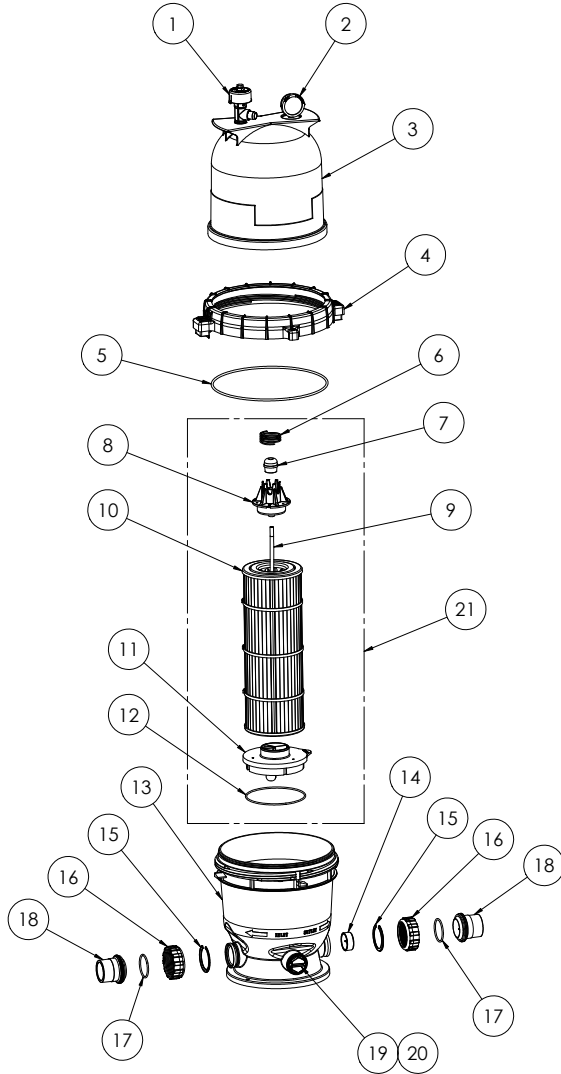


CALIFORNIA PROPOSITION 65 WARNING
 ⚠️ **WARNING:** Cancer and Reproductive Harm.
 ⚠️ **AVERTISSEMENT:** Peut Causer le Cancer et des Dommages au Système Reproducteur.
 ⚠️ **ADVERTENCIA:** Cáncer y Daño Reproductivo.
www.p65warnings.ca.gov P182017A

Item	Part No.	Description
POSI-CLEAR RP FILTERS		
1	98209800	High flow manual air relief valve
2	190058Z	Pressure gauge
3	59053001Z	Lid, 100 sq. ft. filter
4	178745Z	Lid, 150, 200 sq. ft. filter
5	59052900	Locking ring assembly
6	87300400Z	Body O-ring
7	59016200	Air bleed sock kit
8	59053700	Center core, 100 sq. ft. filter
9	59053800	Center core, 150, 200 sq. ft. filter
10	R173215	Cartridge element, 100 sq. ft. filter
11	R173216	Cartridge element, 150 sq. ft. filter
12	R173217	Cartridge element, 200 sq. ft. filter
13	178743Z	Tank bottom
14	190030Z	Drain
14	191474	O-ring
15	178732Z	Union nut "C" clip
16	U11-200PSZ	Union nut
17	178746Z	Union diamond seal
18	178733Z	Union, threaded half
19	170097	Air Relief Parts Kits

EASYSOON™ D.E. FILTERS

REPLACEMENT PARTS



Item	Part No.	Description
EASYSOON FILTER SYSTEMS		
1	98209800	High Flow Manual Air Relief Valve
2	190058Z	Pressure Gauge
3	178561	Lid, Almond
4	59052900	Locking Ring Assy
5	87300400Z	Body O-Ring
6	178616	Compression Spring
7	190106Z	Air Bleeder
8	178626	Center Core Top, EC
9	U37-3/8P	Air Bleeder Tube, EC60
9	U37-3/8P	Air Bleeder Tube, EC90
10	178757	Cartridge Element, EC60
10	178656	Cartridge Element, EC90
11	178627	Center Core Bottom, EC
12	071422	O-Ring, Center Core
13	178562	Tank Bottom, EC60
13	178563	Tank Bottom, EC90
14	51516100	Check Valve Kit
15	39104500	C-Clip (Union Nut)
16	98212200	Union Nut
17	071426	O-Ring, Union
18	79304600	Body Swivel
19	86202000	Drain Cap with O-Ring
20	51005000	O-Ring Drain Cap
21 ¹	196060	Element Retro Kit, EC60
21 ¹	196090	Element Retro Kit, EC90
NOT SHOWN		
	155151	Flex Hose Kit (6 ft.) *
	155005	Flex Hose Kit (12 ft.) *

CALIFORNIA PROPOSITION 65 WARNING

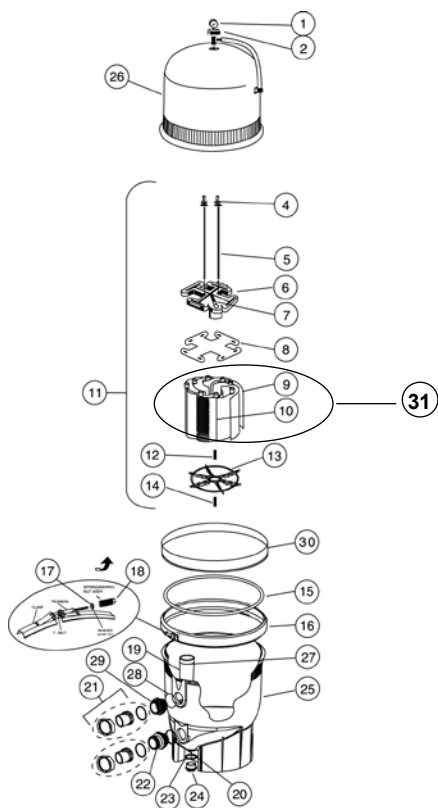
⚠ **WARNING:** Cancer and Reproductive Harm.
 ⚠ **AVERTISSEMENT:** Peut Causer le Cancer et des Dommages au Système Reproducteur.
 ⚠ **ADVERTENCIA:** Cáncer y Daño Reproductivo.
www.p65warnings.ca.gov

¹ Item 21 includes items 6 through 12. Item 21 replaces the Center Core, Cartridge Element, and Air Bleeder Sock Kit on filters manufactured before 2014.

* Replacement Hose Kits include two (2) hoses, four (4) hose adapters and four (4) hose clamps.

FNS® PLUS FILTERS

REPLACEMENT PARTS FOR VERTICAL GRID FILTERS



Item	Part No.	Description
FNS PLUS FILTERS		
1	190058Z	Gauge, pressure
2	98209800	High Flow manual air relief valve, HFMARV
4	071404Z	Wing nut
5	59000800	Tie rod, 24 sq. ft. filter
5	59001500	Tie rod, 36 sq. ft. filter
5	59002100	Tie rod, 48 sq. ft. filter
5	59002700	Tie rod, 60 sq. ft. filter
6	59023700	Manifold, top w/air bleed
7	190092	Internal ail bleed assembly Pre 10/09 - porous white material After 10/09 - stainless steel mesh
8	98725800	Template, filter
9	59001100	Grid, lg. 12 in., 24 sq. ft. filter, 7 req.
9	59001800	Grid, lg. 18 in., 36 sq. ft. filter, 7 req.
9	59002400	Grid, lg. 24 in., 48 sq. ft. filter, 7 req.
9	59003000	Grid, lg. 30 in., 60 sq. ft. filter, 7 req.
10	59001000	Grid, sm. 12 in., 24 sq. ft. filter, 1 req.
10	59002300	Grid, sm. 24 in., 48 sq. ft. filter, 1 req.
10	59002900	Grid, sm. 30 in., 60 sq. ft. filter, 1 req.
10	59001700	Grid, sm. 18 in., 36 sq. ft. filter, 1 req.
11	59023800	Assembly, element grid, complete, 24 sq. ft. filter
11	59023500	Assembly, element grid, complete, 36 sq. ft. filter

Item	Part No.	Description
FNS PLUS FILTERS		
11	59023400	Assembly, element grid, complete, - 48 sq. ft. filter
11	59023300	Assembly, element grid, complete, - 60 sq. ft. filter
12	98211400	Nut, 1/4-20, plated brass
13	59000500	Spider, grid locator
14	58001000	Nut, lock, hex, nylon
15	39010200Z	O-ring, tank clamp, .470 O.D.
16	190003	Clamp, kit
17	195610	Washer, .325 i.d. for filter clamp
18	53108900Z	Spring/barrel nut assembly
19	190034	Assembly, standpipe, outlet, 24 sq. ft. filter, 4-3/8 in. tall
19	190035	Assembly, standpipe, outlet, 36 sq. ft. filter, 10-3/8 in. tall
19	190036	Assembly, standpipe, outlet, 48 sq. ft. filter, 16-3/8 in. tall
19	190037	Assembly, standpipe, outlet, 60 sq. ft. filter, 22-3/8 in. tall
20	86006900	O-ring, bulkhead
21	271096	Bulkhead union, set (Optional)
21	270100	Valve Adapter Kit, 2 in. Black (Optional)
22	190043	Assembly, pipe, inlet, includes bulkhead
23	51005000	O-ring for drain plug
23	191474	O-ring for drain plug ³
24	86202000	Plug, 1-1/2 in. drain, w/ O-ring
24	190030Z	Cap drain ³
25	170015	Tank bottom, assembly, 24 sq. ft. filter
25	170016	Tank bottom, assembly, 36 sq. ft. filter
25	170017	Tank bottom, assembly, 48 sq. ft. filter
25	170018	Tank bottom, assembly, 60 sq. ft. filter
26	170019	Tank lid, 24 sq. ft. filter
26	170020	Tank lid, 36 sq. ft. filter
26	170021	Tank lid, 48 sq. ft. filter
26	170022	Tank lid, 60 sq. ft. filter
27	59000600	O-ring, bulkhead
28	192320	O-ring 2-137 Buna N 70SH ¹
28	86006900	O-ring bulkhead ²
29	190141	Bulkhead Kit, 2 in. w/ O-ring ²
30	195339	SS back-up ring ⁴
31	198080	24 Grid Element Pack (7 large, 1 small)
31	198081	36 Grid Element Pack (7 large, 1 small)
31	198082	48 Grid Element Pack (7 large, 1 small)
31	198083	60 Grid Element Pack (7 large, 1 small)
NOT SHOWN		
	192019	Wrench, drain plug
	196019	Parts Bag (Includes warranty card, instruction book, and items 1 and 2)

¹ Used on filters manufactured before 10/04.

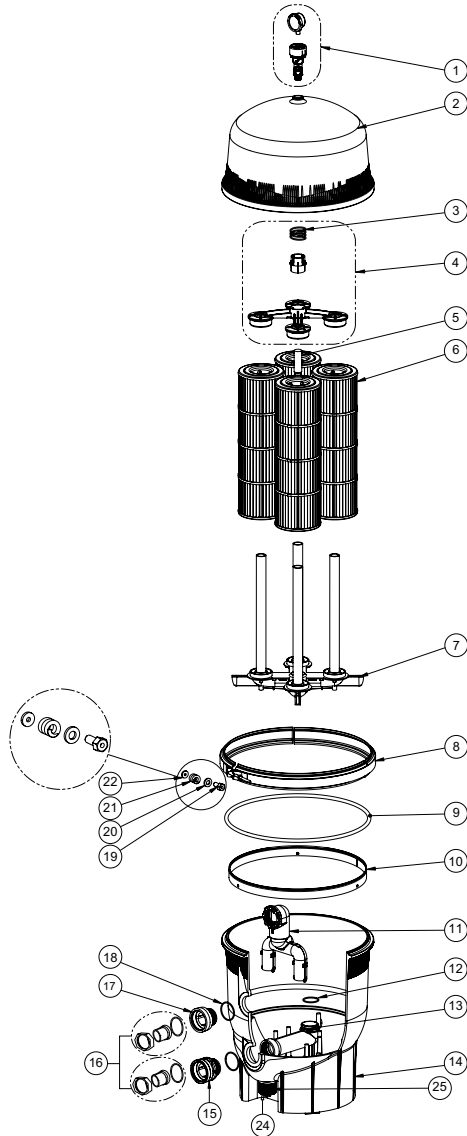
³ Used on filters manufactured after 5/21/05.

² Used on filters manufactured after 10/04.

⁴ Used on filters manufactured after 2/03.

QUAD D.E.® FILTERS

REPLACEMENT PARTS



Item	Part No.	Description
QUAD D.E. FILTERS		
1	98209800	Assy. Manual air relief valve
2	170024	Lid, Quad 60
2	178581	Lid, Quad 80
2	178582	Lid, Quad 100
3	178616	Spring compression
4	170026	Manifold top assembly
5	170029	Air bleeder assy., Quad 60
5	170028	Air bleeder assy., Quad 80
5	178583	Air bleeder assy., Quad 100
6	178656	Cartridge, Quad 100 *
6	178655	Cartridge, Quad 80 *
6	178654	Cartridge, Quad 60 *
7	170059	Manifold assy. Bottom
8	190003	Kit Clamp Band
9	39010200Z	O-ring RPM tank clamp
10	195339	Ring back-up - FNS Pls
11	196024S	Divertor Assembly, Retro Kit
12	354571	O-ring
13	170036	Pipe outlet - RPM fltr
14	195999	Bottom tank w/ drain plug 7-1/2 in.
15	178575	Bulkhead bottom
16	178711	Parts Bag - includes warranty card, instruction Book, Adapter Kit (270100) and Pressure Gauge (190058Z)
17	194801	Bulkhead - 2-3/8-8 butt
18	86006900	O-ring 2-329 bulkhead RPM
19	194997	Nut - Spl
20	195611	Washer - lg id
21	195612	Spring
22	195610	Washer - sm id
24	191474	O-ring for Drain Plug
25	190030Z	Cap Drain
NOT SHOWN		
*	190106Z	Repl. Screen Cap for Air Bleeder Assy.
	274426	Adapter Kit - 2-1/2 in. x 2 in.

CALIFORNIA PROPOSITION 65 WARNING

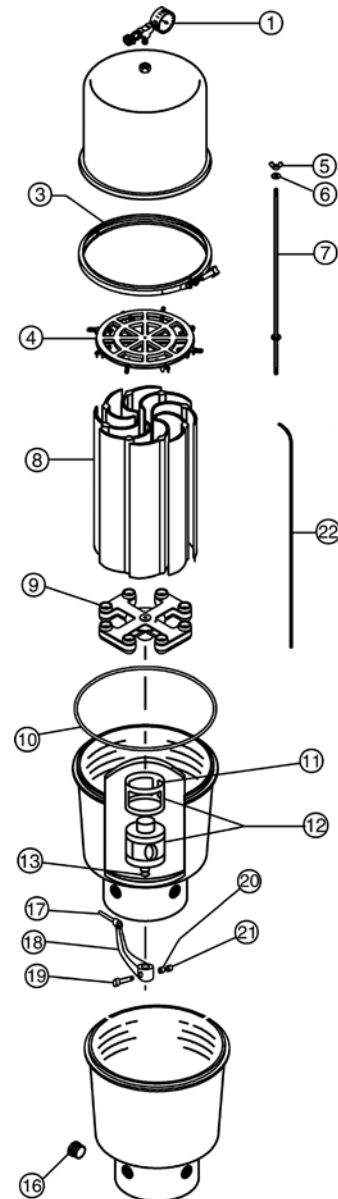
⚠ **WARNING:** Cancer and Reproductive Harm.
 ⚠ **AVERTISSEMENT:** Peut Causer le Cancer et des Dommages au Système Reproducteur.
 ⚠ **ADVERTENCIA:** Cáncer y Daño Reproductivo.

www.p65warnings.ca.gov

SM & SMBW 4000 SERIES™ FILTERS

REPLACEMENT PARTS FOR SHEET MOLDED FILTERS

Item	Part No.	Description
SM & SMBW 4000 SERIES FILTERS		
1	073027	Complete gauge assembly includes: ³
	98209800	Hi Flow Air Relief ⁴
	190058Z	Gauge, 1/4 in., 60 lbs.
	071390	Nipple, plastic, 1/4 in.
3	197020	Clamp ring assembly
3	076033	Knob clamping band ²
3	071136Z	Knob clamping band ¹
4	071019Z	Holding wheel 4024, 4036, 4048
4	197120	Holding wheel 4060
5	071404Z	Nut wing, 1/4 in. 20 SS
6	072173	Washer 5/16 in. i.d. x 3/4 in. o.d.
7	072870	Center rod SM/SMBW 4024 21 in.
7	072869	Center rod SM/SMBW 4036 27 in.
7	072880	Center rod SM/SMBW 4048 33 in.
7	072867	Center rod SM/SMBW 4060 39 in.
8	074922	Element 4024 12 in., 8 req.
8	074923	Element 4036 18 in., 8 req.
8	074924	Element 4048 24 in., 8 req.
8	074925	Element 4060 30 in., 8 req.
9	073270Z	Manifold 2000/4000 series 8 holes
10	071439	O-ring, 4000 series lid
11	071720	Seal BW valve rotor tapered
12	073370	Rotor valve Noryl w/ seal, includes No. 11 & 13
13	JV18	O-ring 2113
16	071559	Plug PVC 2 in., SM only
17	190026	Handle SMBW rotor SS
18	070971	Handle extension BW, brass
19	070979	Handle stud bolt SS, 1/4-20 x 1-3/4 in.
20	072172	Washer lock, 1/4 in. SS
21	071406	Nut, 1/4-20 SS hex
22	075279	Vent tube 1/4 in., 46 in. all models



¹ Used on filters manufactured before 1998.

² Used on filters manufactured after 1998.

³ Used on filters manufactured before 1999.

⁴ Used on filters manufactured after 1999.

Did you know that...if you order a tapered rotor seal and attempt to install it into a straight sided casting, the seal will be cut. If you install a straight seal in a tapered casting, the valve will leak. The tapered seal can be identified by a mark on each of the vertical legs signifying the top of the seal. Since the straight seals are not directional, they have no marks on the vertical legs. The tapered seal P/N is 071720. The straight seal P/N is 071719, which we no longer manufacture. Both 2000/4000 series filters with backwash now use the same Noryl rotor and the tapered seal. The product number for the rotor and seal assembly P/N is 073370. Tapered castings have a letter "T" stamped into the underside of the middle, pump port. Don't confuse this with a letter "T" in felt pen, which means the assembly has been pressure tested.

CALIFORNIA PROPOSITION 65 WARNING
⚠ WARNING: Cancer and Reproductive Harm.
⚠ AVERTISSEMENT: Peut Causer le Cancer et des Dommages au Système Reproducteur.
⚠ ADVERTENCIA: Cáncer y Daño Reproductivo.
www.p65warnings.ca.gov P&H 201514

SYSTEM:2™ MODULAR D.E. FILTERS

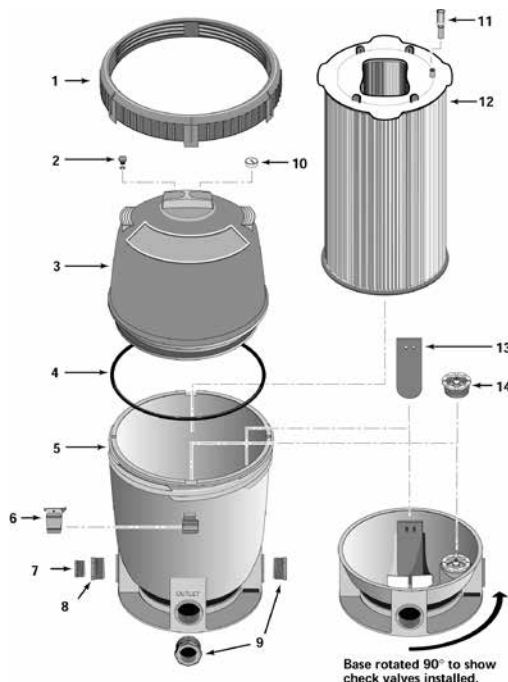
PLD SERIES REPLACEMENT PARTS



MODELS

PLD50 - DE

PLD70 - DE



CALIFORNIA PROPOSITION 65 WARNING
 ⚠️ **WARNING:** Cancer and Reproductive Harm.
 ⚠️ **AVERTISSEMENT:** Peut Causer le Cancer et des Dommages au Système Reproducteur.
 ⚠️ **ADVERTENCIA:** Cáncer y Daño Reproductivo.
www.p65warnings.ca.gov PR201714

Item	Part No.	Description
SYSTEM:2 MODULAR D.E. FILTERS		
1	27001-0054S	Posi-Lok® ring
2	25010-0200	Air release valve assembly
3	27001-0020S	Tank shell upper half ^{1,5}
4	27001-0061S	Cord-ring
4	27001-0060S	Cord-ring (Pre 3/97), PLD50
5	27001-0009S	Tank shell lower half w/ ring ^{4,5}
6	27001-0051	Safety latch for ring
7A	27001-0022	1-1/2 in. NPT plug w/ O-Ring
7B	24900-0509	Adapter fitting (Pre 10/03)
7B	24900-0510	Adapter fitting
9	U78-820P	2 in. x 1-1/2 in. Pipe reducer ²
10	15060-0000T	Pressure gauge ³
11	24800-0120	Air bleed assembly
12	27002-0030S	Filter module, PLD50
12	27002-0036S	Filter module, PLD70
13	27001-0011	Flapper valve
14	27001-0130S	Spring check valve ²
NOT SHOWN		
	33455-1050	Spring check valve gasket

¹ Includes all decals and labels.

² Optional Equipment.

³ Shipped in accessory package.

⁴ Includes 27001-0051 safety latch, & 27001-0054 Posi-Lok ring™ ring.

⁵ Filters made before 2005 should replace the top and bottom together.

SYSTEM:2™ MODULAR D.E. FILTERS

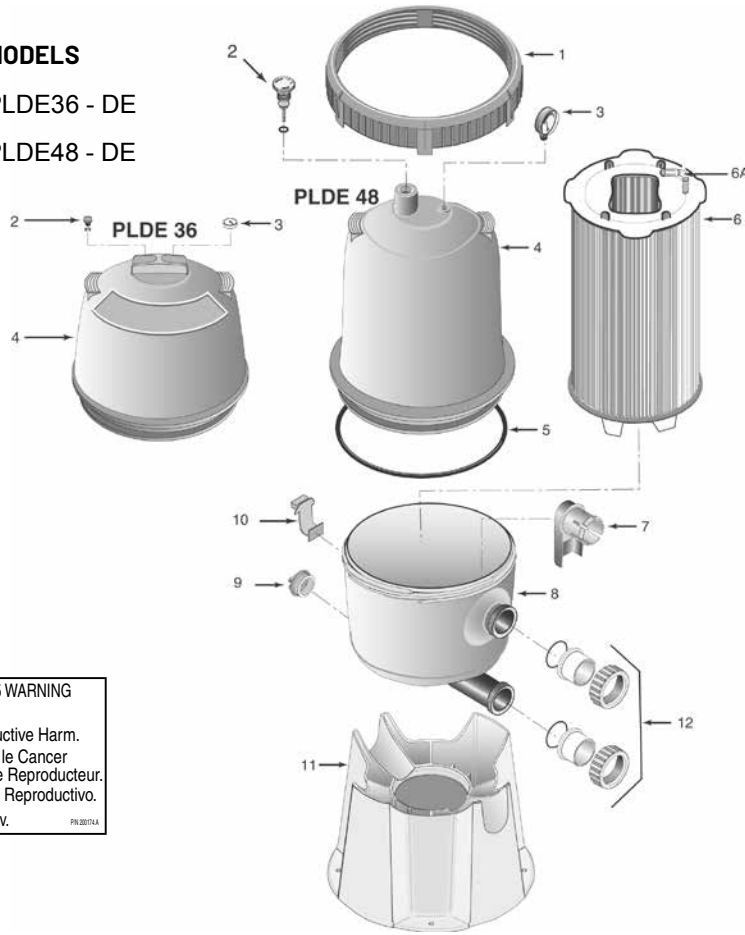
PLDE SERIES REPLACEMENT PARTS



MODELS

PLDE36 - DE

PLDE48 - DE



CALIFORNIA PROPOSITION 65 WARNING
 ⚠️ **WARNING:** Cancer and Reproductive Harm.
 ⚠️ **AVERTISSEMENT:** Peut Causer le Cancer et des Dommages au Système Reproducteur.
 ⚠️ **ADVERTENCIA:** Cáncer y Daño Reproductivo.
www.p65warnings.ca.gov P8 201514

Item	Part No.	Description
SYSTEM:2 MODULAR D.E. FILTERS		
1	27001-0054S	Posi-Lok® Ring
2	25010-0200	Air Release Valve with O-ring, PLDE36
2	24206-0103S	Air Release Valve with O-ring, PLDE48
3	15060-0000T	Pressure Gauge
4	27001-0020S	Tank Upper Half with Air Relief Valve, PLDE36 ²
4	27001-0030S	Tank Upper Half with Air Relief Valve, PLDE48 ²
5	27001-0061S	Tank O-Ring
6	27002-0036S	Filter Module, PLDE36
6	27002-0048S	Filter Module, PLDE48
6A	24800-0120	Air Bleed Assembly
7	27001-0015S	Diverter
8	27001-0016S	Tank Lower Half ^{1,2}
9	27001-0022	Drain Plug
10	27001-0051	Safety Latch
11	27001-0018S	Tank Support Base
12	PKG 188Z	2 in. Union Adapter Package (includes 2)

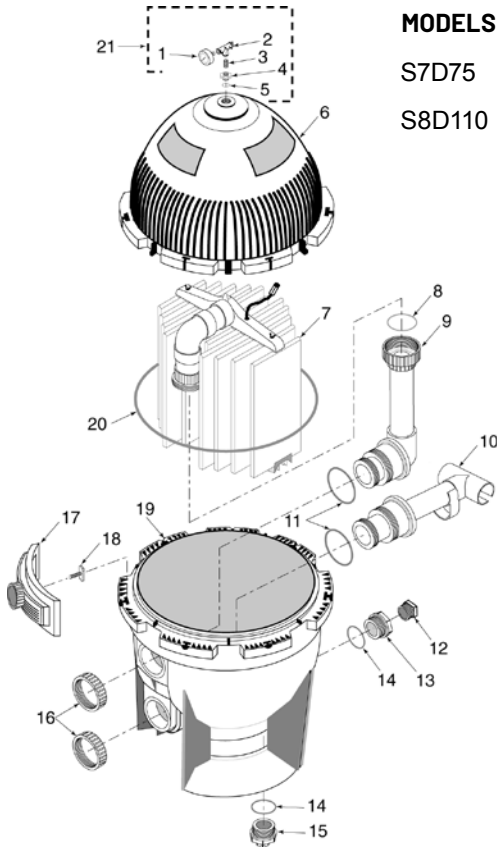
¹ Includes Item Nos. 7, 8, 9, 10.

² Filters manufactured before 2005 should replace the top and bottom together.



SYSTEM:3® D.E. FILTERS

SD SERIES REPLACEMENT PARTS



MODELS

S7D75

S8D110

Item	Part No.	Description
SYSTEM:3 D.E. FILTERS		
1	33600-0023T	2 in. Gauge
2	154689Z	Air Release Valve
3	35202-0959	Nipple
4	24900-0504	Adapter Bushing
5	35505-1423	O-Ring
6	24851-9000	Upper Tank Shell Kit, S7D75
6	24851-9001	Upper Tank Shell Kit, S8D110
7	23900-1220S	Filter Assembly, S7D75
7	23900-1221S	Filter Assembly, S8D110
8	U9-362	O-Ring
9	23911-0102	Outlet Assembly
10	23911-0100	Inlet Assembly, S7D75
10	23911-0101	Inlet Assembly, S8D110
11	35505-1425	O-Ring
12	27001-0022	1-1/2 in. NPT Plug
13	24900-0509	Adapter Fitting
14	35505-1424	O-Ring
15	24900-0503	Drain Plug
16	24752-0050	Bulkhead Retaining Nut
17	24850-0200	Clamp Assembly ¹
18	24850-0010	Clamp Bolt ¹
19	24850-0102S	Lower Tank Shell, S7D75
19	24851-0103S	Lower Tank Shell, S8D110
20	24850-0008	Cord Ring, S7D75
20	24850-0009	Cord Ring, S8D110
21	24850-0105	Valve & Gauge Assembly (Includes #8, 9, 11, 16)
NOT SHOWN		
	24850-0016	Clamp Retaining Ring
	U212-252DS	Brass Deluxe Air Bleed (optional)
	25021-1021	System3 DE Conversion Kit (Includes #8, 9, 10, 11, 16) - S7D75 - should also purchase item #7 separately.
	25021-1025	System3 DE Conversion Kit (Includes #8, 9, 10, 11, 16) - S8D110 - should also purchase item #7 separately.

CALIFORNIA PROPOSITION 65 WARNING

⚠ **WARNING:** Cancer and Reproductive Harm.
 ⚠ **AVERTISSEMENT:** Peut Causer le Cancer et des Dommages au Système Reproducteur.
 ⚠ **ADVERTENCIA:** Cáncer y Daño Reproductivo.
www.p65warnings.ca.gov P812015A

¹ Model S7D75 uses seven (7) clamps and bolts; Model S8D110 uses eight (8).

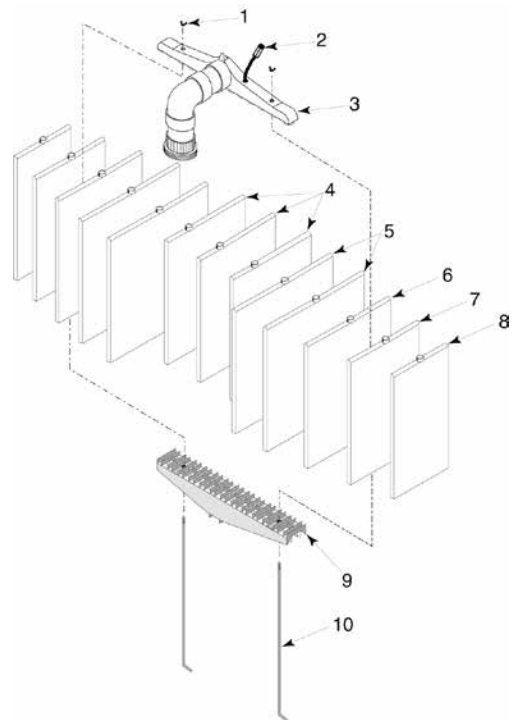
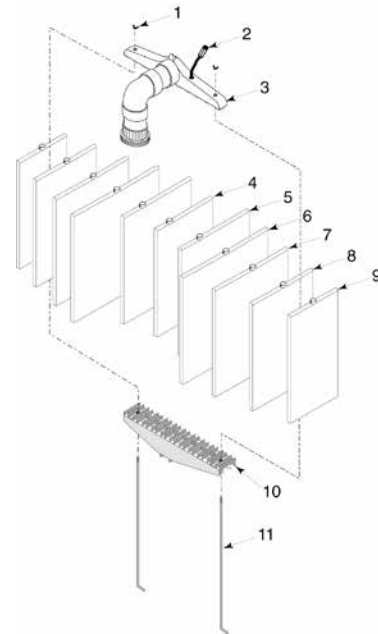
SYSTEM:3® D.E. FILTER ELEMENT ASSEMBLIES

SD SERIES REPLACEMENT PARTS



Item	Part No.	Description
FILTER ELEMENT ASSEMBLY FOR S7D75		
1	35402-0074Z	Wing Nut (2 req.)
2	24800-0120	Air Bleed Assembly
3	24800-0100	Manifold
4	23900-1171	Covered Element 12-7/16 in. (1 req.)
5	23900-1170	Covered Element 13-13/16 in. (2 req.)
6	23900-0033	Covered Element 16-1/2 in. (2 req.)
7	23900-1174	Covered Element 15-3/16 in. (2 req.)
8	23900-1175	Covered Element 12-7/16 in. (2 req.)
9	23900-1173	Covered Element 9-11/16 in. (2 req.)
10	23900-0350	Element Grid Support
11	23900-0039	Rod (2 req.)

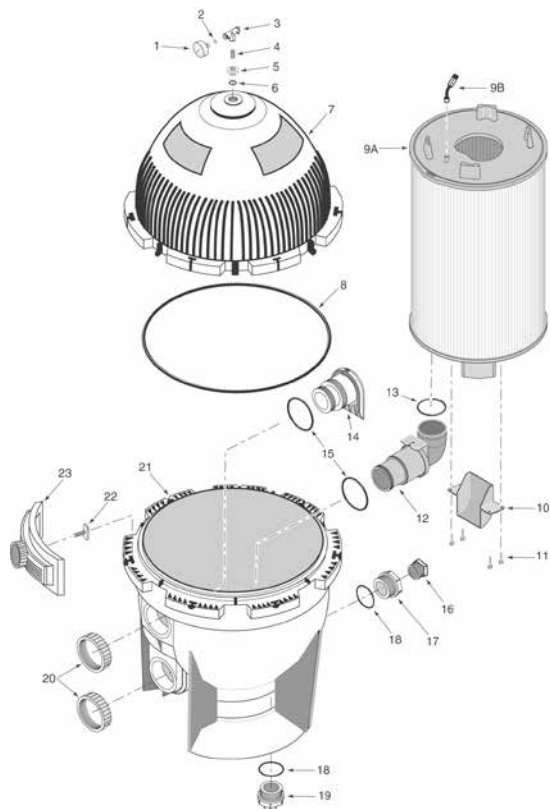
FILTER ELEMENT ASSEMBLY FOR S8D110		
1	35402-0074Z	Wing Nut (2 req.)
2	24800-0120	Air Bleed Assembly
3	24801-0101	Manifold
4	23900-1172	Covered Element 16-1/2 in. (3 req.)
5	23900-0144	Covered Element 19-5/16 in. (4 req.)
6	23900-0033	Covered Element 16-1/2 in. (2 req.)
7	23900-1174	Covered Element 15-3/16 in. (2 req.)
8	23900-0032	Covered Element 11 in. (2 req.)
9	23901-0350	Element Grid Support
10	23900-0039	Rod (2 req.)



CALIFORNIA PROPOSITION 65 WARNING
 ⚠️ **WARNING:** Cancer and Reproductive Harm.
 ⚠️ **AVERTISSEMENT:** Peut Causer le Cancer et des Dommages au Système Reproducteur.
 ⚠️ **ADVERTENCIA:** Cáncer y Daño Reproductivo.
www.p65warnings.ca.gov FR230714

SYSTEM:3® MODULAR D.E. FILTERS

SMD SERIES REPLACEMENT PARTS



Item	Part No.	Description
SYSTEM:3 MODULAR D.E. FILTERS		
1	33600-0023T	2 in. Gauge
3	154689Z	Air Release Valve
4	35202-0959	Close Nipple, 1/4 in.
5	24900-0504	Adapter Bushing
6	35505-1423	O-Ring
7	24851-9000	Upper Tank Shell Kit ¹
8	24850-0008	Tank O-Ring
9A	25023-0160S	Replacement Module
9A	25023-0172S	Replacement Module
9B	24800-0120	Air Bleed Assembly ²
10	23910-0013S	Baffle Kit (with Screws) ²
11	37207-0728	Baffle Screws ²
12	23910-0100S	Elbow and Bulkhead Assembly ³
13	35505-7438	O-Ring
14	23910-0101S	Deflector and Bulkhead Assembly
15	35505-1425	O-Ring
16	27001-0022	1-1/2 in. Plug with O-Ring
17	24900-0509	Adapter Fitting
18	35505-1424	O-Ring
19	24900-0503	Drain Plug
20	24752-0050	Bulkhead Retaining Nut
21	24850-0102S	Lower Tank Shell
22	24850-0010	Clamp Bolt
23	24850-0200	Clamp Assembly
NOT SHOWN		

System:3 Modular DE Conversion Kit (Includes Key #'s 12, 13, 14, 15, 16) - must also buy Item 9A separately

¹ Includes all decals and labels.

² Included with Key No. 9A Replacement Module.

³ Includes O-Ring (Key No. 13).

CALIFORNIA PROPOSITION 65 WARNING

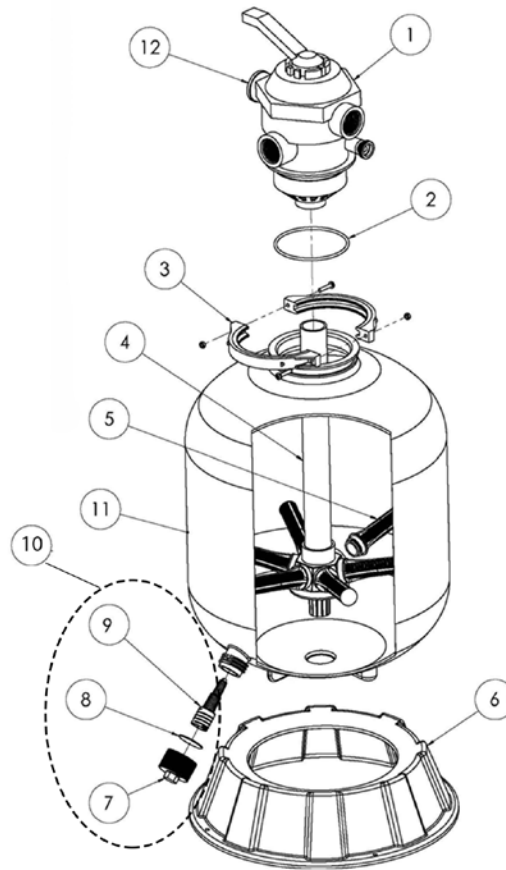
⚠ **WARNING:** Cancer and Reproductive Harm.
 ⚠ **AVERTISSEMENT:** Peut Causer le Cancer et des Dommages au Système Reproducteur.
 ⚠ **ADVERTENCIA:** Cáncer y Daño Reproductivo.

www.p65warnings.ca.gov

PB 20251A

SAND DOLLAR® FILTERS

REPLACEMENT PARTS FOR BLOW MOLDED FILTERS



Item	Part No.	Description
SAND DOLLAR SAND FILTERS		
1	262506	Valve 1-1/2 in. 6-way
1	263085	Valve 2 in.
1	262525	Valve 2 in. with unions
2	272541	O-ring valve body
3	152165	Assembly, plastic clamp 2 piece
4	155504	Piping assembly SD35, dim D = 16 in.
4	152229	Pipe assembly SD35 ²
4	155062	Piping assembly SD40, dim D = 20-1/8 in.
4	152228	Pipe assembly SD40 ²
4	155532	Piping assembly SD60, dim D = 25-1/4 in.
4	152227	Pipe assembly SD60 ²
4	152000	Pipe assembly, SD70
4	152226	Pipe assembly SD80
4	152238	Pipe assembly SD80 2 in.

CALIFORNIA PROPOSITION 65 WARNING

⚠ **WARNING:** Cancer and Reproductive Harm.
 ⚠ **AVERTISSEMENT:** Peut Causer le Cancer et des Dommages au Système Reproducteur.
 ⚠ **ADVERTENCIA:** Cáncer y Daño Reproductivo.

www.p65warnings.ca.gov
PH 201714

SAND DOLLAR® FILTERS

REPLACEMENT PARTS FOR BLOW MOLDED FILTERS

Item	Part No.	Description
SAND DOLLAR SAND FILTERS		
5	155007	Lateral 5, 11/32 in. long, almond, SD35, 8 req.
5	152290Z	Lateral 6, 11/16 in. long, almond, SD40/SD60, 8 req.
5	150084	Lateral, SD35, SD40, black ²
5	150085	Lateral XLong, SD60, SD70, SD80, black ²
5	150088	Lateral, ClearPro 6 req
6	154926	Foot, SD35
6	154520	Foot, SD40, SD60, SD70, & SD80 ¹
7	154712Z	Drain Cap
8	154715	Gasket
9	154711Z	Drain
10	150055	Complete Drain Assembly
11	145339	Tank with drain SD35, almond
11	145341	Tank with drain SD40, almond
11	145343	Tank with drain SD60, almond
11	145368	Tank with drain SD70, almond
11	145334	Tank with drain SD80, almond
12	190059Z	Gauge, pressure
NOT SHOWN		
	272569	Kit Union for 2 in. Valve
	150119	Kit Union for 1-1/2 in. Valve

¹ Used on filters manufactured before 2/02.

² Filters manufactured after 10/04.

CALIFORNIA PROPOSITION 65 WARNING

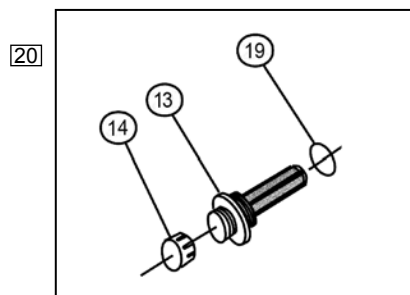
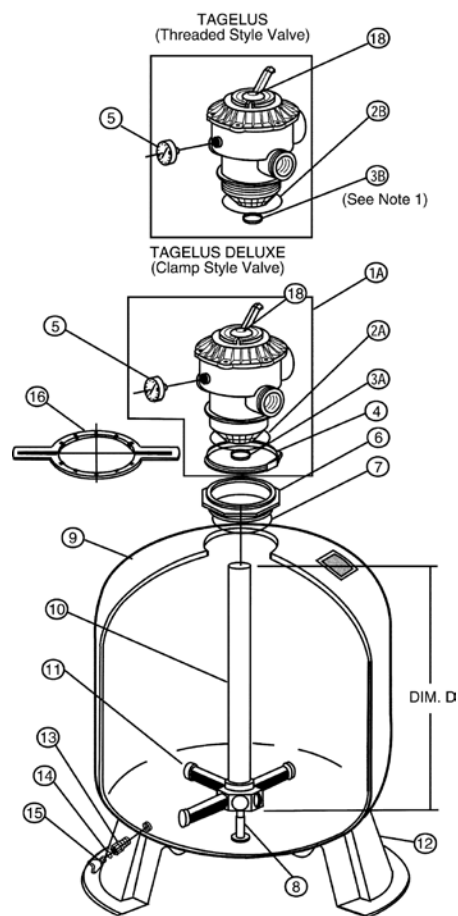
WARNING: Cancer and Reproductive Harm.
AVERTISSEMENT: Peut Causer le Cancer et des Dommages au Système Reproducteur.
ADVERTENCIA: Cáncer y Daño Reproductivo.

www.p65warnings.ca.gov
PR2019A

TAGELUS® FILTERS

REPLACEMENT PARTS FOR FIBERGLASS FILTERS

Item	Part No.	Description
TAGELUS FILTERS WITH THD. & CLAMP VALVES		
1A	262506	Valve, 1-1/2 in. 6-way clamp style ^{1, 4, 6, 8, 10}
1A	261185	Valve, 2 in. 6-way clamp style ^{11A, 11B}
1A	262525	Valve, 2 in. for TA60 with unions
1B	261124	Valve, 1-1/2 in. 6-way "V" thread -TA, ¹⁷
2A	272541	O-ring valve body, 3/16 in. x 4-3/4 in. i.d. ^{2, 4, 6, 8, 10}
2A	275333	O-ring valve body, 3/16 in. x 6-1/2 in. i.d. ^{11A, 11B}
2B	154493	O-ring valve body, .157 in. x 5.75 in. i.d. ^{1, 3, 5, 7, 9}
3A	355330	O-ring standup, 1/8 in. x 2-3/8 in. i.d. ^{11A, 11B}
3B	155064	O-ring standup, 1/8 in. x 1-7/8 in. i.d. ^{1, 3, 5, 7, 9, 12}
4	152165	Clamp, 6-1/2 in. dia. SS, plastic ^{2, 4, 6, 8, 10}
4	152130	Clamp, 8.35 in. dia. ^{11A, 11B}
5	190059Z	Gauge back mount pressure
6	152520Z	Adapter, Quad Seal
6	155225	Adapter, 6 in. "V" thread ^{2, 6, 8, 10, 15, 19}
6	154521	Adapter, 8-1/2 in. btr. thread ^{11A, 11B}
7	154494	O-ring valve adptr., 1/8 in. x 6-1/4 in. i.d. ^{2, 4, 6, 8, 10}
7	355619Z	O-ring valve adptr., 3/16 in. x 7-3/4 in. i.d. ^{11A, 11B}
7	152516	Quad Seal
8	155002	Stabilizer, center pipe (TA100 Only)
9	155276	Tank & ft. assembly w/ valve adptr. ^{6, 13, 18, 19}
9	155269	Tank & ft. assembly w/ valve adptr. ^{10, 13, 18, 19}
9	155324	Tank & ft. assembly w/ valve adptr. ^{11A, 11B, 13, 18, 19}
9	155342	Tank & ft. assembly btr. thread style ^{5, 16, 17}
9	155358	Tank & ft. assembly btr. thread style ^{9, 16, 17}
10	155060	Piping assembly, (dim. D = 12-7/8 in.) ^{1, 2}
10	153455	Piping assembly, (dim. D = 14-7/8 in.) ^{3, 4}
10	155061	Piping assembly, (dim. D = 17-3/4 in.) ^{5, 6}
10	155062	Piping assembly, (dim. D = 19-7/8 in.) ^{7, 8}
10	155063	Piping assembly, (dim. D = 22-5/8 in.) ^{9, 10}
10	155340	Piping assembly, less hub, (dim. D = 27-1/4 in.) ^{11A, 11B}
10	155323	Piping assembly, w/ hub, (dim. D = 27-1/4 in.) ^{11A, 11B}
10	155299	Piping assembly, w/ hub, w/ 1/4 turn lateral ^{10, 20}
10	152237	Piping assembly, w/ hub, TA60 2 in.



Detail A., after 12/1/91
6 in. btr. Thread.



Detail B., before 12/1/91
6 in. "V" Thread.

TAGELUS® FILTERS (CONT'D)

REPLACEMENT PARTS FOR FIBERGLASS FILTERS

Item	Part No.	Description
TAGELUS FILTERS WITH THREAD & CLAMP VALVES		
11	155007	Lateral, 5-11/32 in. long, 8 req. ^{1, 2, 3, 4}
11	152290Z	Lateral, 6-11/16 in. long, 8 req. ^{5, 9, 6, 10}
11	152202Z	Lateral, 9-1/8 in. long ^{11A, 11B}
11	150085	Lateral, 1/4 turn, 6 req. ^{7, 8, 10, 20}
11	150088	Lateral, ClearPro - 6 req
12	154926	Foot tank ^{3, 5, 7, 9, 4, 6, 8, 10}
12	154596	Foot tank ^{11A, 14}
13	154698	Spigot, 3/4 in. NPT sand drain ^{2, 4, 6, 8, 10}
13	152220Z	Spigot, 2 in. NPT sand drain ^{11A} (Left-hand thread)
14	192115Z	O-ring drain plug, 1/16 in. x 1/2 in. i.d.
14	154871	2 in. drain cap (1-1/2 in. threads) ^{11A, 11B}
15	357161Z	Plug, 1/4 in. NPT drain
16	154512	Wrench, 6-1/2 in. across flats ^{2, 6, 8, 10}
16	151608	Wrench, 9 in. across flats ¹⁴
18	272599	Label top mount valve
19	274494	Sand drain O-ring TA100
20	152220Z	Drain assy for TA100/TR100/TR140
NOT SHOWN		
	154402	Tape ft. mounting, ¹⁻¹⁰
	154407	Tape ft. mounting, ^{11A, 11B}
	155051	Sand guide only ^{11A, 11B}
	150119	Union Kit 1-1/2 in. Valve
	272569	Union Kit 2 in. Valve for TA 60D 2" only

¹ TA 30
² TA 30D
³ TA 35
⁴ TA 35D
⁵ TA 40
⁶ TA 40D
⁷ TA 50
⁸ TA 50D
⁹ TA 60
¹⁰ TA 60D
^{11A}TA 100
^{11B}TA 100D

¹² Item 3A O-ring, standpipe is used on model TA100D Filters only. Item 3B O-ring, standpipe is used on Tagelus Filter models TA30, 40, 50, 60, manufactured before April, 1993. Item 3B is not used on Tagelus Clamp Filter models TA30D, 35D, 40D, 50D, 60D or on any Tagelus models manufactured after April, 1993.

¹³ Tagelus Clamp Filter models tank & ft. assembly have valve adptr., Item 6 factory installed.

¹⁴ Replacement of tank ft. requires the use of mounting tape. See part number listed.
¹⁵ Lubricate O-ring liberally w/ silicone lubricant and tighten to following spec: TA30D, 35D, 40D, 50D, 60D. Handtight plus 1/4 turn min. TA100 D Handtight plus 3/4 turn min.
¹⁶ Tagelus Filter models TA30, 35, 40, 50, 60 manufactured after Nov. 1, 1991 were manufactured w/a btr. thread top opening and utilize a btr. style valve which is black in color. A change was made to the port arrangement in April, 1993 which will require that minor changes be made to the valve plumbing connections when replacing valves on filters manufactured between Nov. 1991 and Mar. 1993. DO NOT ATTEMPT TO INTERCHANGE THREAD TYPES.
¹⁷ Tagelus Filter models TA30, 40, 50, 60 manufactured before Nov. 1, 1991 were manufactured w/a "V" thread style valve that is white or brown in color. These valves may be replaced only w/ "V" thread style valve P/N 261124, see Detail B. DO NOT ATTEMPT TO INTERCHANGE THREAD TYPES.

¹⁸ Tagelus Clamp Filter models TA30D, 35D, 40D, 50D, 60D manufactured after Nov. 1, 1991 were manufactured w/a btr. thread top opening and utilize a btr. thread valve adptr. P/N 154555, see Detail A. DO NOT ATTEMPT TO INTERCHANGE THREAD TYPES.
¹⁹ Tagelus Clamp Filter models TA30D, 40D, 50D, 60D manufactured before Nov. 1, 1991 were manufactured w/a "V" thread top opening and utilize a "V" thread valve adptr. P/N 155225, see Detail B. DO NOT ATTEMPT TO INTERCHANGE THREAD TYPES.
²⁰ TA60D Filters manufactured after June 1, 2007 have new 1/4 turn laterals.

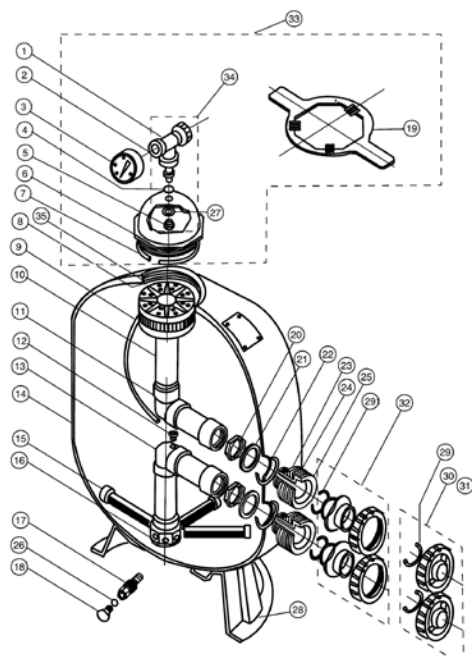
CALIFORNIA PROPOSITION 65 WARNING

▲ **WARNING:** Cancer and Reproductive Harm.
▲ **AVERTISSEMENT:** Peut Causer le Cancer et des Dommages au Système Reproducteur.
▲ **ADVERTENCIA:** Cáncer y Daño Reproductivo.

www.p65warnings.ca.gov. PR020114

TRITON® II FILTERS

REPLACEMENT PARTS FOR FIBERGLASS FILTERS



Item	Part No.	Description
TRITON II SAND FILTERS		
1	154689Z	Air bleeder/tee assembly ¹³
2	154700	Adapter, brass air bleeder ¹³
3	190059Z	Gauge, back mount pressure ¹³
4	154661	O-ring, air bleeder adapter ¹³
5	154664	Nut, 3/8 in., 16 SS ¹³
6	152519Z	
6	154559	Closure 6 in. "V" thread, black, see Detail B ¹³
7	154493	O-ring closure, 6 in., white ¹³
7	152516	Quad Seal
8	154578	Strainer air relief, 1/4 in. ³
8	150035	Strainer air relief, 3/8 in. ⁴
9	154435	Tube air relief TR40 ³
9	150039	Tube air relief TR40 ⁴
9	154436	Tube air relief TR50/60 ³
9	150040	Tube air relief TR50/60 ⁴
9	154437	Tube air relief TR100 ³
9	150041	Tube air relief TR100 ⁴
9	154438	Tube air relief TR140 ³
9	150042	Tube air relief TR140 ⁴
10	154598	Diffuser assembly TR40/50
10	154599	Diffuser assembly TR60
10	154462	Diffuser assembly TR100
10	154906	Diffuser assembly TR140
11	154803	Piping assembly upper TR40

Item	Part No.	Description
11	156814	Piping assembly upper TR50
11	154533	Piping assembly upper TR60
11	154426	Piping assembly upper TR100
11	154500	Piping assembly upper TR140
12	154441	Connector air relief tube ³
12	150036	Connector air relief tube ⁴
13	154801	Piping assembly lower TR40
13	156816	Piping assembly lower TR50
13	154805	Piping assembly lower TR60
13	155284	Piping assembly lower TR60 ¹⁴
13	154807	Piping assembly lower TR/ PF100
13	154489	Piping assembly lower TR140
14	154636	Tank & ft. assembly TR40, 6 in. btr. thd., Almond, Detail A
14	154638	Tank & ft. assembly TR60, 6 in. btr. thd., Almond, Detail A
14	154639	Tank & ft. assembly TR100, 8-1/2 in. btr. thd., Almond, Detail A
14	154640	Tank & ft. assembly TR140, 8-1/2 in. btr. thd., Almond, Detail A

CALIFORNIA PROPOSITION 65 WARNING

⚠️ **WARNING:** Cancer and Reproductive Harm.
 ⚠️ **AVERTISSEMENT:** Peut Causer le Cancer et des Dommages au Système Reproducteur.
 ⚠️ **ADVERTENCIA:** Cáncer y Daño Reproductivo.

www.p65warnings.ca.gov
FR202174

TRITON® II FILTERS (CONT'D)

REPLACEMENT PARTS FOR FIBERGLASS

Item	Part No.	Description
TRITON II SAND FILTERS		
14	156224	Tank & ft. assembly TR100HD btr. thread, black HD
15	152290Z	Lateral, 6-11/16 in. L TR40/50/60, 8 req.
15	150085	Lateral TR60 Gray. 1/4 turn ¹⁴
15	152202Z	Lateral, 9-1/8 in. L TR100, 8 req. ⁶
15	154540Z	Lateral, 12 in. L TR140, 8 req.
15	150088	Lateral, ClearPro
16	154763	Hub lateral TR40/50/60
16	155753	Hub lateral, ClearPro- 6 req ¹⁴
16	154453	Hub lateral TR100/140
17	154698	Spigot, 3/4 in. NPT sand drain ⁸
18	357161Z	Plug, 1/4 in. NPT drain ⁸
18	U178-920PZ	Drain Plug Assy
19	154512	Wrench, 6 in. closure ¹³
19	154510	Wrench closure aluminum, 6 in. ¹³
20	154412	Locknut, 2 in. internal, 2 req.
21	154416	Spacer, 2 in. internal, 2 req.
22	154492	O-ring, 2 in. bulkhead, 2 req.
23	154408	Spacer, 2 in. external, 2 req.
24	154538	Gasket, 2 in. bulkhead, 2 req.
25	154405	Bulkhead, 2 in., 2 req.
26	192115Z	O-ring drain plug ⁸
27	154418	Washer, 3/8 in. SS ¹³
28	154926	Foot, 16 in. dia., TR40/50 ^{2, 11}
28	154520	Foot, 19 in. dia., TR60 ^{2, 11}
28	154596	Foot, 24 in. dia., TR100/140 ^{2, 11}
29	274494	O-ring valve adptr., 2 req.
30	271092	2 in. Thread adapter. kit ⁹
31	271094	1-1/2 in. Thread adapter. kit ⁹
32	271096	2 in. Slip adapter. kit ⁹
32	274426	Adapter Kit, 1-1/2 in. x 2 in.
33	155738	Kit closure, 8-1/2 in HD
33	154641	Kit closure, 6 in. btr. thread, black, Detail A ¹³
33	154697	Kit closure, 6 in. "V" thread, tan, Detail B ¹³
33	154856	Kit closure, 8-1/2 in. btr. thread, black ^{10, 13}
34	154687	Fitting package complete ^{12, 13}
35	154611	Spacer air vent strainer, 3-3/4 in., TR40
35	154612	Spacer air vent strainer, 4-1/2 in., TR50/60
35	154613	Spacer air vent strainer, 5-1/2 in., TR100
35	154614	Spacer air vent strainer, 5 in., TR140
NOT SHOWN		
	154402	Tape ft. mounting TR40/50/60, 3 req.
	154407	Tape ft. mounting TR100/140, 3 req.
	154714	Bulkhead Asy 2 IN TR (includes items 20, 21, 22, 23, 24, & 25)
	151602	Bulkhead wrench, 2 in.
	154714	Bulkhead kit include items 20-25
	151092	Aluminum wrench, 8-1/2 in.
	152220Z	Sand drain, 2 in. (used on TR100 and TR140) (Left-hand thread)
	154871	Cap thd., 1-1/2 in.
	274494	Sand drain O-ring TA100 (used on TR100 and (TR140)

Filters manufactured after Dec 1, 1991 utilize a 6 in. btr. thread in the filter tank top opening and on the closure, see Detail A.

Filters manufactured before Dec 1, 1991 utilize a 6 in. "V" type thread, see Detail B.

6 in. closures in Detail A and B are NOT interchangeable.



Detail A after 12/1/91
6 in. btr. Thread.



Detail B before 12/1/91
6 in. "V" Thread.

¹ Used on filters manufactured before 2-89.

² Used on filters manufactured after 2-89.

³ All filters manufactured before 11-1-99.

⁴ Used on filters manufactured after 11-1-99.

⁵ Used on filters manufactured before 5-85.

⁶ Used on filters manufactured after 5-85.

⁷ Used on filters manufactured before 3-83.

⁸ Used on filters manufactured after 3-83.

⁹ For installations w/out valve, pair.

¹⁰ Used on all TR100 & 140 filters manufactured after 10-1-01.

¹¹ Replacement of tank foot requires the use of foot mounting tape. See P/N's.

¹² Fitting package includes items 1,2,4,5 and 27.

¹³ For individual parts for closure kit for TR100 and TR140 see replacement parts pages.

¹⁴ For TR60's built after 6-07.

CALIFORNIA PROPOSITION 65 WARNING

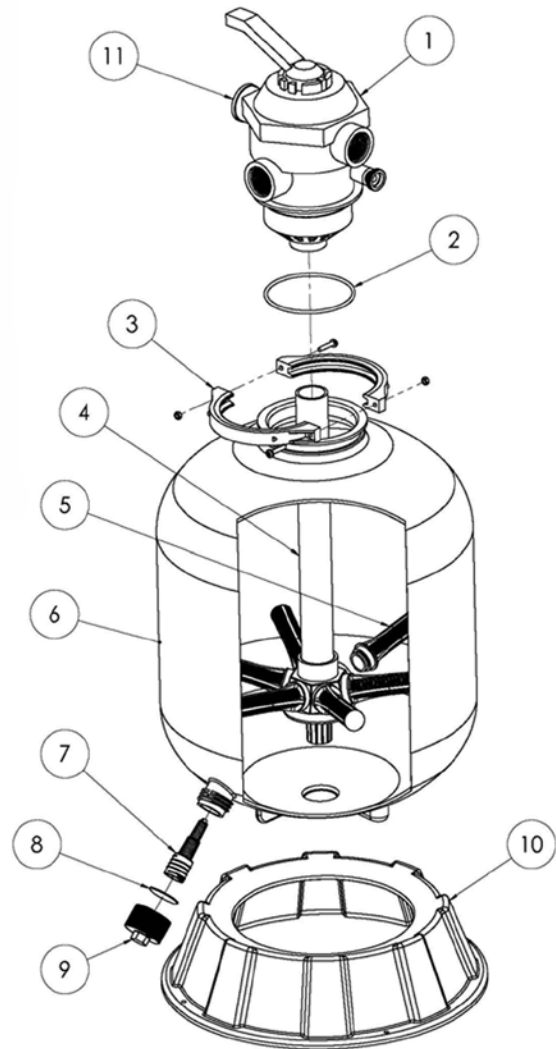
▲ **WARNING:** Cancer and Reproductive Harm.
▲ **AVERTISSEMENT:** Peut Causer le Cancer et des Dommages au Système Reproducteur.
▲ **ADVERTENCIA:** Cáncer y Daño Reproductivo.
www.p65warnings.ca.gov

CRISTAL-FLO™ II HIGH-RATE SAND FILTERS

REPLACEMENT PARTS



Item	Part No.	Description
CRISTAL-FLO II HIGH-RATE SAND FILTERS		
1	262506	Valve, 1-1/2 in. 6-Way
1	262525	Valve, 2 in. with unions
2	272541	O-Ring Valve Body
3	152165	Clamp Assembly
4	152229	Piping Assembly – 16 in. Tank
4	152228	Piping Assembly – 19 in. Tank
4	152227	Piping Assembly – 22 in. Tank
4	152000	Piping Assembly – 24 in. Tank
4	152226	Piping Assembly – 26 in. Tank
4	152238	Piping Assembly – CFII 26 - 2 in.
5	150084	Lateral – 16 in. & 19 in. Tanks (6 req.)
5	150085	Lateral – 22 in., 24 in., & 26 in. Tanks (6 req.)
6	145364	Tank w/ Drain – 16 in. Tank
6	145365	Tank w/ Drain – 19 in. Tank
6	145366	Tank w/ Drain – 22 in. Tank
6	145369	Tank w/ Drain – 24 in. Tank
6	145370	Assembled Tank w/ Drain – 26 in. Tank
7	154711Z	Sand Drain
8	154715	Gasket (Sand Drain)
9	154712Z	Drain Cap
10	154926	Foot, 16 in. Tank
10	154520	Foot, 19 in., 22 in., 24 in., & 26 in. Tanks
11	190059Z	Pressure Gauge
12	150055	Kit Drain Assy (Incl. #7, 8, 9)
NOT SHOWN		
	155151	Kit, Flex Hose, 6 ft.
	155005	Kit, Flex Hose, 12 ft.
	150119	Union Kit for 1-1/2 in. Valve
	272569	Union Kit for 2 in. Valve



CALIFORNIA PROPOSITION 65 WARNING

⚠ **WARNING:** Cancer and Reproductive Harm.
 ⚠ **AVERTISSEMENT:** Peut Causer le Cancer et des Dommages au Système Reproducteur.
 ⚠ **ADVERTENCIA:** Cáncer y Daño Reproductivo.

www.p65warnings.ca.gov
PR020174

SYSTEM:3® SAND FILTERS

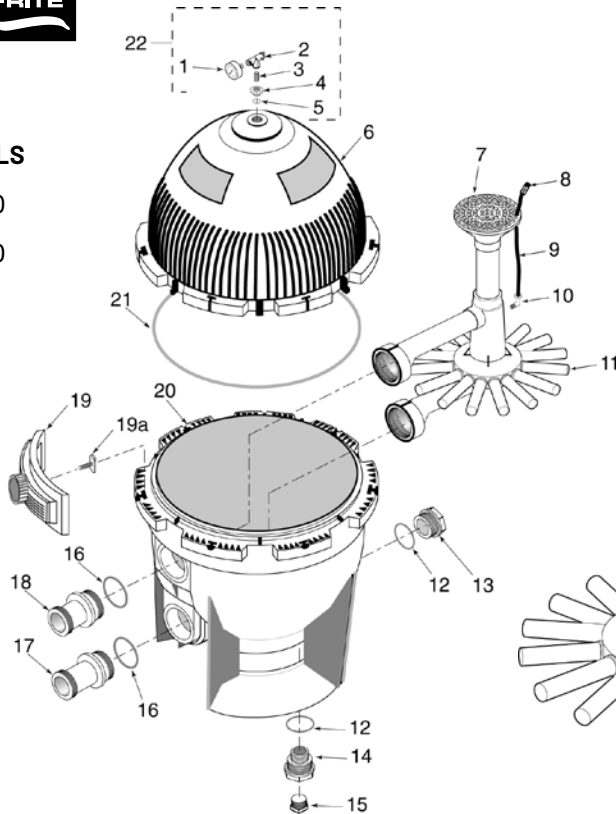
SS SERIES REPLACEMENT PARTS



MODELS

S7S50

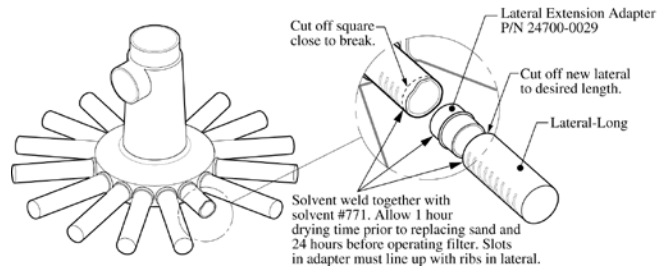
S8S70



Lateral repair procedure.

⚠ WARNING To avoid serious personal injury or property damage, follow cement manufacturer's instructions exactly.

CALIFORNIA PROPOSITION 65 WARNING
 ⚠ WARNING: Cancer and Reproductive Harm.
 ⚠ AVERTISSEMENT: Peut Causer le Cancer et des Dommages au Système Reproducteur.
 ⚠ ADVERTENCIA: Cáncer y Daño Reproductivo.
 www.p65warnings.ca.gov. P650875A



Item	Part No.	Description
SYSTEM:3 SAND FILTERS		
1	33600-0023T	2 in. Gauge
2	154689Z	Valve Assembly
	• U212-252DS	Brass Deluxe Air Bleed (optional)
3	35202-0959	Nipple
4	24900-0504	Adapter Bushing
5	35505-1423	O-Ring
6	24851-9000	Tank - Upper Half Kit ² - Model S7S50
6	24851-9001	Tank - Upper Half Kit ² - Model S8S70
7	24900-0100S	Collector - Assembly (Includes Laterals) - Model S7S50
7	24901-0100S	Collector - Assembly (Includes Laterals) - Model S8S70
8	WC8-126Z	Air Bleed Filter (Blue)
9	WC37-386P	Vent Tube
10	WC78-84P	Elbow - Male Parflex
11	24900-0002	Lateral - Model S7S50 (16 req.)
11	24901-0003	Lateral - Model S8S70 (16 req.)
12	35505-1424	O-Ring
13	24900-0503	Plug (Sand Removal)
14	24900-0505	Drain Fitting
15	27001-0022	1-1/2 in. NPT Plug
16	35505-1425	O-Ring
17	24900-0500	Tank Fitting

Item	Part No.	Description
SYSTEM:3 SAND FILTERS		
18	24900-0501	Tank Fitting
19	24850-0200	Clamp Assembly ³
19A	24850-0010	Clamp Bolt ³
20	24850-0104S	Tank - Lower Half - Model S7S50
20	24851-0105S	Tank - Lower Half - Model S8S70
21	24850-0008	Cord Ring - Model S7S50
21	24850-0009	Cord Ring - Model S8S70
22	24850-0105	Valve & Gauge Assembly (Includes #1, 2, 3, 4, 5)
NOT SHOWN		
	24700-0029	Lateral Extension Adapter ^{1,4}
	24850-0016	Clamp Retaining Ring ³
	25021-2021	System:3 Sand Conversion Kit #12,13,14,15,16,17,18) - Model S7S50 - Must also buy item # 7 separately
	25021-2025	System:3 Sand Conversion Kit #12,13,14,15,16,17,18) - Model S8S70 - Must also buy item # 7 separately

¹ Available for lateral repairs.

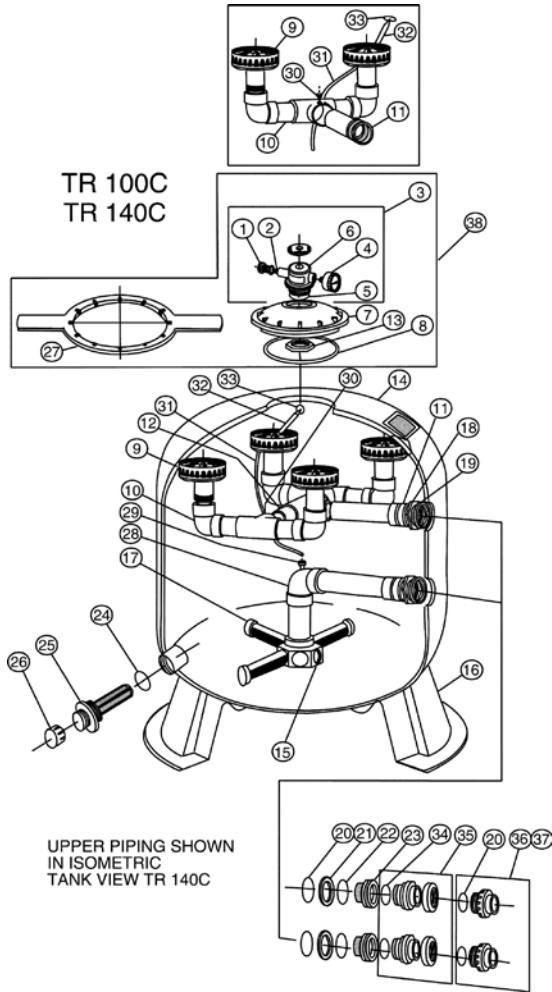
² Includes all decals and labels.

³ Model S7S50 uses seven clamps and bolts; Model S8S70 uses eight.

⁴ As required.

TR100C™ & TR140C™ FILTERS

REPLACEMENT PARTS FOR COMMERCIAL FIBERGLASS FILTERS



Item	Part No.	Description
TR100C & TR140C SAND FILTERS		
14	153430	Tank & ft. assembly TR100C, 8-1/2 in. btr. thd., black
14	153431	Tank & ft. assembly TR140C, 8-1/2 in. btr. thd., black
15	154453	Hub lateral TR100C/TR140C
16	154596	Foot, 24 in. dia. TR100C/TR140C
17	152202Z	Lateral, 9-1/8 in. TR100C, 8 req.
17	154540Z	Lateral, 12 in. TR140C, 8 req.
18	154412	Locknut, 2 in. internal
19	154416	Spacer, 2 in. internal
20	154492	O-ring, 2 in. bulkhead
21	154408	Spacer, 2 in. external
22	154538	Gasket, 2 in. bulkhead
23	154405	Bulkhead, 2 in.
24	274494	O-ring, 3/16 in. x 2-5/8 in. L.H. Thread
25	152220Z	2 in. sand drain (Left-hand thread)
26	154871	Cap thd., 1-1/2 in.
27	154527	Wrench, 8-1/2 in. closure
28	154807	Piping assembly lower TR100C
28	154489	Piping assembly lower TR140C
29	150036	Connector air relief tube ³
30	273071	Screw, No.14 18-8 TR100C ¹
31	154437	Tube air relief TR100C ²
31	150041	Tube air relief TR100C ³
31	154438	Tube air relief TR140C ²
31	150042	Tube air relief TR140C ³
32	154507	Spacer air vent strainer TR100C 6-3/4 in.
32	154508	Spacer air vent strainer TR140C 10-5/16 in.
33	154578	Strainer air relief ²
33	150035	Strainer air relief ³
34	274494	O-ring valve adapter
35	271096	2 in. slip adaptor kit for inst. w/o valve (pair)
35	274426	Adapter Kit, 2-1/2 in. x 2 in.
36	271092	2 in. thd. adaptor kit for inst. w/o valve (pair)
37	271094	1-1/2 in. thd. adaptor kit for inst. w/o valve (pair)
38	154856	Kit closure 8-1/2 in. btr. thd. blk.

Item	Part No.	Description
TR100C & TR140C SAND FILTERS		
1	273512	Air bleeder w/ O-ring
2	273513	O-ring air bleeder screw
3	273564Z	Manual air relief body assembly
4	190059Z	Pressure gauge
5	274495	O-ring, 3/16 in. x 2-5/8 in. i.d.
6	273564Z	Valve body machined ARF
7	154575	Closure, 8-1/2 in. btr.
8	152509Z	Square ring 8-1/2 in.
9	154599	Diffuser Assembly
10	156355	Piping assembly upper TR100C, TR140C ¹
11	156344	Piping assembly upper inlet TR100C, TR140C
12	156354	Piping connecting assembly upper TR140C
13	154412	Nut, 2 in. internal

¹ Different quantities required for TR100C and TR140C Filters.

² Use on filters manufactured before 11-1-99.

³ Use on filters manufactured after 11-1-99.

TRITON® C-3 FILTERS

REPLACEMENT PARTS FOR FIBERGLASS FILTERS

Item	Part No.	Description
TRITON C & C-3 SAND FILTERS		
1	273512	Air bleeder with O-ring ^{2,3}
2	273513	O-ring air bleeder screw ²
3	273564Z	Valve body machined ²
4	272546	Label warning manual air relief ²
5	190059Z	Pressure gauge ²
6	154494	O-ring adapter, 6 in. ²
7	273564Z	Manual air relief assembly ²
8	154575	Closure 8-1/2 in. ²
9	154412	Locknut, 2 in. internal
10	152509Z	Square ring-closure ^{2,3}
11	154527	Wrench, 8-1/2 in. closure ²
12	154856	Kit, 8-1/2 in. closure butt thread ⁶
12	156842	Closure kit C3 with bulkhead gaskets ⁶
15	154007	Upper piping assembly TR 100C-3
15	154008	Upper piping assembly TR 140C-3
16	154005	O-ring parker 2-343, 2 req.
17	154002	Spacer, 3 in., 2 req.
18	154004	O-ring parker 2-342, 2 req.
19	154003	Flange, 3 in., 2 req.
20	154001	Adapter flange, 3 in., 2 req.
21	154009	Lower piping assembly TR 100C-3 (Hub not included - see item 40)
21	154010	Lower piping assembly TR 140C-3 (Hub not included - see item 40)
22	154596	Foot, 24 dia. TR 100C-3/140C-3
23	152202Z	Lateral, 9 in. TR 100C-3, 8 req.
23	154540Z	Lateral, 12 in. TR 140C-3, 8 req.
24	154871	Cap thd., 1-1/2 in.
25	152220Z	Sand drain, 2 in. (Left-hand thread)
26	274494	O-ring, 3/16 in. x 2-5/8 in. i.d., 2 req.
27	154441	Connector air relief tube
28	154437	Tube air relief TR100C-3 (23 in.) ⁴
28	151114	Tube air relief TR100C-3 ⁵
28	154438	Tube air relief TR140C-3 (27 in.) ⁴
28	151115	Tube air relief TR140C3 ⁵
29	154018	Diffuser piping assembly TR 140C-3, 2 req
30	273071	Screw, No.10-1-1/2 in. flathead phillips, 2 req.

¹ P/N 156841 includes items 1, 10, 34 thru 38.

² Used on filters manufactured before 3-97.

³ Used on filters manufactured after 3-97.

⁴ Used on filters manufactured before 11-99.

⁵ Used on filters manufactured after 11-99.

⁶ Used on filters manufactured after 4-15.

Item	Part No.	Description
TRITON C & C-3 SAND FILTERS		
31	154599	Diffuser (2 req'd. for TR 100C-3), 2 req.
31	154599	Diffuser (4 req'd. for TR 140C-3), 4 req.
32	154507	Spacer TR 100C-3, 6-3/4 in.
32	154508	Spacer TR 140C-3, 10-5/16 in.
33	154578	Strainer air relief ⁴
33	150035	Strainer air relief ⁵
34	190058Z	Pressure gauge, 1/4 in. psi ³
35	154581	Knob TR oval ³
36	154582	Spring TR oval ³
37	154579	Bridge TR oval ³
38	154576	Closure oval ³
39	156841	Kit TR oval closure ^{1,3}
40	154016	Hub

NOT SHOWN

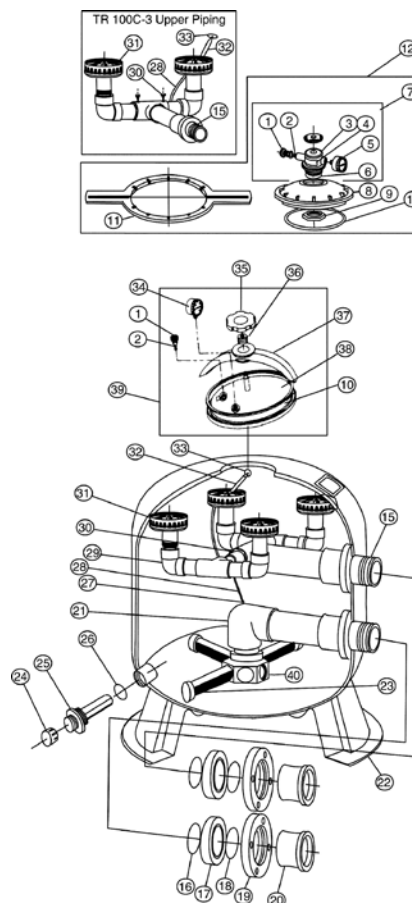
154714 Bulkhead ASY 2 IN TR (includes items 20, 21, 22, 23, 24, & 25)

151600 Oval Bulkhead Wrench

151604 Oval Bulkhead Wrench

150096 3" Flange Gaskets

151092 Aluminum Wrench



Product on page 98.

SCH 40 & 80 FOR TR100C, TR140C & TR100C-3, TR140C-3

TANDEM FILTER PIPING KITS FOR 2 IN. AND 3 IN. FILTERS

Item	Description	Schedule	Qty.
THE FOLLOWING ARE INCLUDED IN KITS FOR TR C FILTERS			
1	Flange VS, socket, 150 lb.	80	2
2	Flange VS, spigot, 150 lb.	80	6
3	Butterfly valve, Asahi SP		4
4	Hardware kit, valve/flange hardware (No. 1), Includes: 16-5/8 x 6 in. hex head bolts, 16-5/8 in. nuts, 32-5/8 in. washers		1
5	Socket reducer tee	40	4
6	2 in. Spigot x socket 45° str. elbow	40	4
7	2 in. Spigot female adapter, spigot x fipt	40	4
8	2 in. Valve adapter kit		2
9	Socket tee	40	1
10	90° Socket elbow	40	1
11	Socket reducer saddle	40	6
12	2 in. Flange one-piece socket, 150 lb.	80	2
SINGLE TANK 2 IN. ADDER KIT			
1	Socket reducer tee, 4 x 2	40	2
2	2 in. Spigot x socket 45° str. elbow	40	2
3	2 in. Spigot female adapter, spigot x fipt	40	2
4	2 in. Valve adapter kit		1
5	Socket reducer saddle, 4 x 2	40	3
6	2 in. Flange one-piece socket, 150 lb.	80	1
THE FOLLOWING ARE INCLUDED IN KITS FOR TR C-3 IN. FILTERS			
1	Flange VS, socket, 150 lb.	80	2
2	Flange VS, spigot, 150 lb.	80	6
3	Butterfly valve, Asahi SP		4
4	Hardware kit, valve/flange hardware (No.1), Includes: 16-5/8 x 6 in. hex head bolts, 16-5/8 in. nuts, 32-5/8 in. washers		1
5	Socket tee	40	5
6	3 in. Spigot x socket 45° str. elbow	40	4
7	Socket reducer saddle	40	3
8	2 in. Flange one-piece socket, 150 lb. solid	80	1
9	3 in. Flange VS, spigot, 150 lb.	80	4
10	3 in. Bolt pack, tank/flange hardware w/ gasket (No.4), Includes: 16-5/8 x 3-1/4 in. hex head bolts, 16-5/8 in. nuts, 32-5/8 in. washers		1
11	90° Socket elbow	40	1
SINGLE TANK 3 IN. ADDER KIT			
1	Socket reducer tee	40	2
2	3 in. Spigot x socket 45° str. elbow	40	2
3	Socket reducer saddle	40	3
4	2 in. Flange one-piece socket, 150 lb. solid	80	1
5	3 in. Flange VS, spigot, 150 lb.	80	2
6	3 in. Bolt pack, tank/flange hardware w/ gasket (No.5), Includes: 8-5/8 x 3-1/4 in. hex head bolts, 8-5/8 in. nuts, 16-5/8 in. washers		1

Please contact the Factory for Drawings and Sizing details on Plumbing kits for the Triton C & C-3 in. Filters.

Product on pages 99–100.

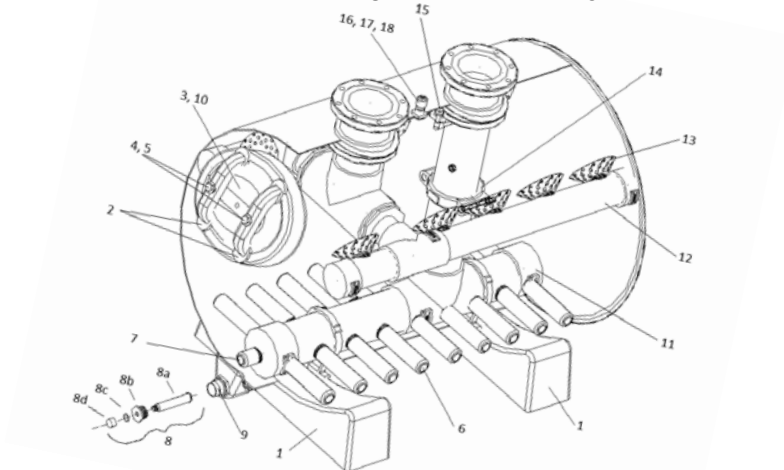
CALIFORNIA PROPOSITION 65 WARNING

▲ **WARNING:** Cancer and Reproductive Harm.
▲ **AVERTISSEMENT:** Peut Causer le Cancer et des Dommages au Système Reproducteur.
▲ **ADVERTENCIA:** Cáncer y Daño Reproductivo.

www.p65warnings.ca.gov
PR620174

THS SERIES® HORIZONTAL SAND FILTER

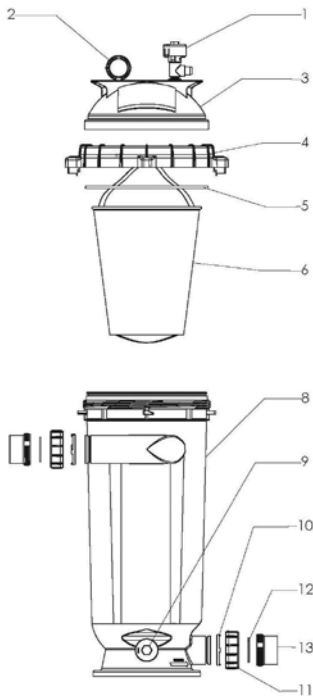
REPLACEMENT PARTS



THS SERIES® HORIZONTAL SAND FILTERS				
1	B4848BL-32	Tank Saddle, Black	All	2
2	B4856	Yoke, Manway	All	2
3	B4852A-N	Glass Filled Manway Cover, Black	All	1
4	94910	HHMB, 3/4 in. x 4 in., T316 S/S	All	2
5	B4860	3/4 in. Flat Washer, T316 S/S	All	2
6	B4804	10 in. Effluent Lateral	THS3461	14
			THS3484	20
			THS4272	18
			THS4284	24
7	B4803	3-1/2 in. Effluent Lateral	THS3461 - THS3484	2
			THS4272 - THS4296	3
8	B4980	Media Dump Assembly	All	1
8a	B4983	6 in. Lateral, 1/2 in. NPT	All	1
8b	B4982	1-1/2 in. Pipe Plug	All	1
8c	B4698	O-Ring	All	1
8d	B4984	1/2 in. Pipe Cap	All	1
9	B4981X	1-1/2 in. NPT Tank Adapter	All	1
10	B4951	Manway O-ring	All	1
11	**	Effluent Manifold without Laterals	**	1
12	**	Influent Manifold without Laterals	**	1
13	B4806	Shower Head Diffuser	THS3461	8
			THS3484	10
			THS4272	10
			THS4284	12
14	B4570	4 in. Grooved Coupling Assembly	THS3461 - THS3484	1
			THS4272 - THS4296	1
14	B4572	6 in. Grooved Coupling Assembly	THS4272 - THS4296	1
15	B4578	Automatic Air Relief Assembly	All	1
16	B4974BAN	1/2 in. Manual Air Relief Cap	All	1
17	B4970BAN	1/2 in. Threaded Nipple	All	1
18	B4979BAN	1/2 in. Bulkhead Fitting	All	1

SEPARATION TANK

REPLACEMENT PARTS

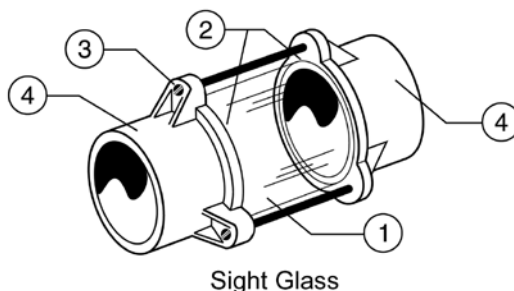


Item	Part No.	Description
SEPARATION TANK - SEP 48/72/96/144		
1	98209800	High Flow manual air relief valve
2	190058Z	Pressure Gauge
3	310010Z	Tank Lid
4	59052900	Locking Ring Assembly
5	87300400Z	Body O-Ring
6	170099	Separation Bag Retaining Ring
8	178731Z	Tank Bottom
9	154712Z	Drain Cap Assembly
10	178732Z	Union Nut "C" Clip
11	U11-200PSZ	Union Nut
12	178746Z	Union Diamond Seal
13	178733Z	Union, Threaded Half
	170099	Separation Bag (Not Shown)

Product on page 86.

SIGHT GLASS

REPLACEMENT PARTS FOR AMERICAN PRODUCTS MODELS



Sight Glass

Item	Part No.	Description
SIGHT GLASS		
2	51006100	Gasket, 2 req.
3	51006200	Bolt, 3 req.
4	51013200	Top and bottom ABS, 1-1/2 socket
NOT SHOWN		
	619312	Nut, 8-32, 3 req.

¹ Used on filters manufactured before 9-96.

² To upgrade sep. tanks manufactured after 9-96.

CALIFORNIA PROPOSITION 65 WARNING

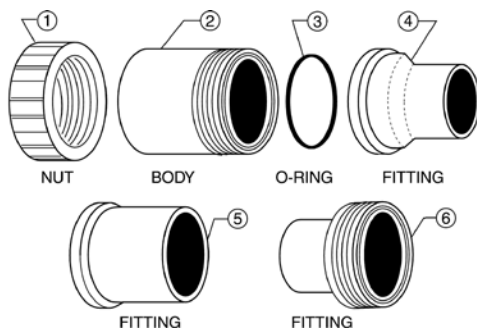
⚠ **WARNING:** Cancer and Reproductive Harm.
 ⚠ **AVERTISSEMENT:** Peut Causer le Cancer et des Dommages au Système Reproducteur.
 ⚠ **ADVERTENCIA:** Cáncer y Daño Reproductivo.

www.p65warnings.ca.gov. PR020714

Product on page 101.

UNIONS

REPLACEMENT PARTS



Item	Part No.	Description
UNIONS		
1	51013011	Nut, black
2	87201911	Fitting, 2 in. slip ABS
3	51013500	O-ring
4	87202411	Body male, 1-1/2 in., ABS
5	87202211	Body, 1-1/2 in. slip x 2 in. male ABS

CALIFORNIA PROPOSITION 65 WARNING

⚠️ **WARNING:** Cancer and Reproductive Harm.
 ⚠️ **AVERTISSEMENT:** Peut Causer le Cancer et des Dommages au Système Reproducteur.
 ⚠️ **ADVERTENCIA:** Cáncer y Daño Reproductivo.

www.p65warnings.ca.gov
PN 20251A