

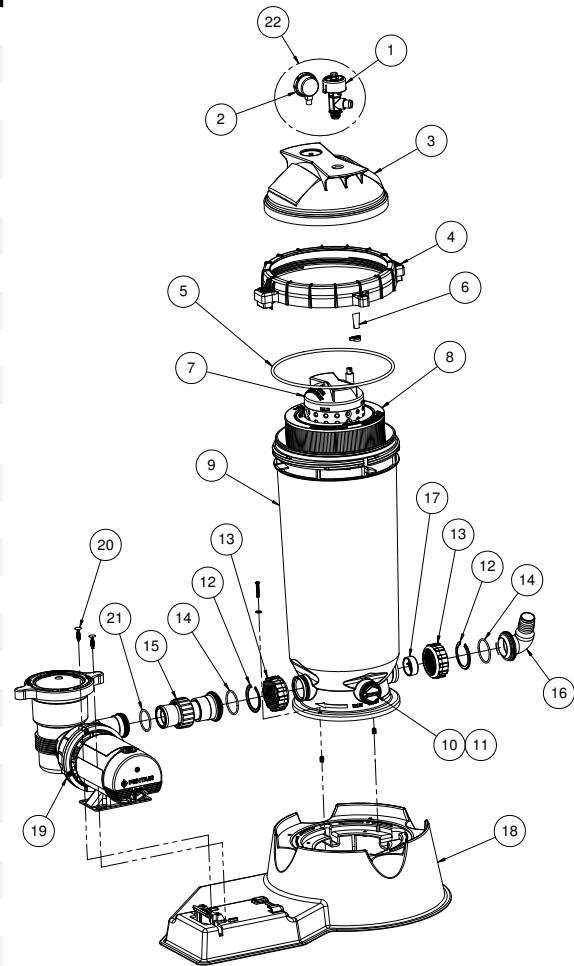
ABOVEGROUND SYSTEMS PARTS

Product Catalog 2022

CLEAN & CLEAR® FILTER SYSTEMS

REPLACEMENT PARTS FOR SYSTEMS MANUFACTURED 2009 AND BEYOND

Item	Part No.	Description
CLEAN & CLEAR FILTER SYSTEMS 2009 AND BEYOND		
1	98209800	High Flow Manual Relief Valve
2	190058Z	Pressure Gauge
3	178553	Lid, 50/100/125 sq. ft., Almond
3	178561	Lid, 75/150/175/200 sq. ft., Almond
4	59052900	Locking Ring Assy
5	87300400Z	Body O-Ring
6	59016200	Air Bleed Sock Kit
7	59053500	Center Core, 50 sq. ft.
7	59053600	Center Core, 75 sq. ft.
7	59053700	Center Core, 100/125 sq. ft.
7	59053800	Center Core, 150/175/200 sq. ft.
8	R173213	Cartridge Element, 50 sq. ft.
8	R173214	Cartridge Element, 75 sq. ft.
8	R173215	Cartridge Element, 100 sq. ft.
8	R178671	Cartridge Element, 125 sq. ft.
8	R173216	Cartridge Element, 150 sq. ft.
8	R178672	Cartridge Element, 175 sq. ft.
8	R173217	Cartridge Element, 200 sq. ft.
9	178562	Tank Bottom, 50/75, Almond
9	178563	Tank Bottom, 100/125/150/175/200, Almd
10	86202000	Drain Cap with O-Ring
11	51005000	O-Ring (Drain Cap)
12	39104500	C-Clip (Union Nut)
13	98212200	Union Nut
14	071426	O-Ring (Union)
15	155372	Pump to Filter Assembly (OptiFlo)
16	79304700	Body swivel 1.5 NPT
16	711006	Outlet Connector
17	51516100	Check Valve Kit
18	155333P	Systems Base
18	155333CP	Systems Base, CSA Pump
19		Pump
20	710009	Base Hardware Kit
21	354571	O-Ring (Union)
22	170095	Air Relief Parts Kit
ACCESSORIES		
	155151	Replacement Hose Kit, Flex Hose, 6 ft. ¹
	155005	Replacement Hose Kit, Flex Hose, 12ft ¹



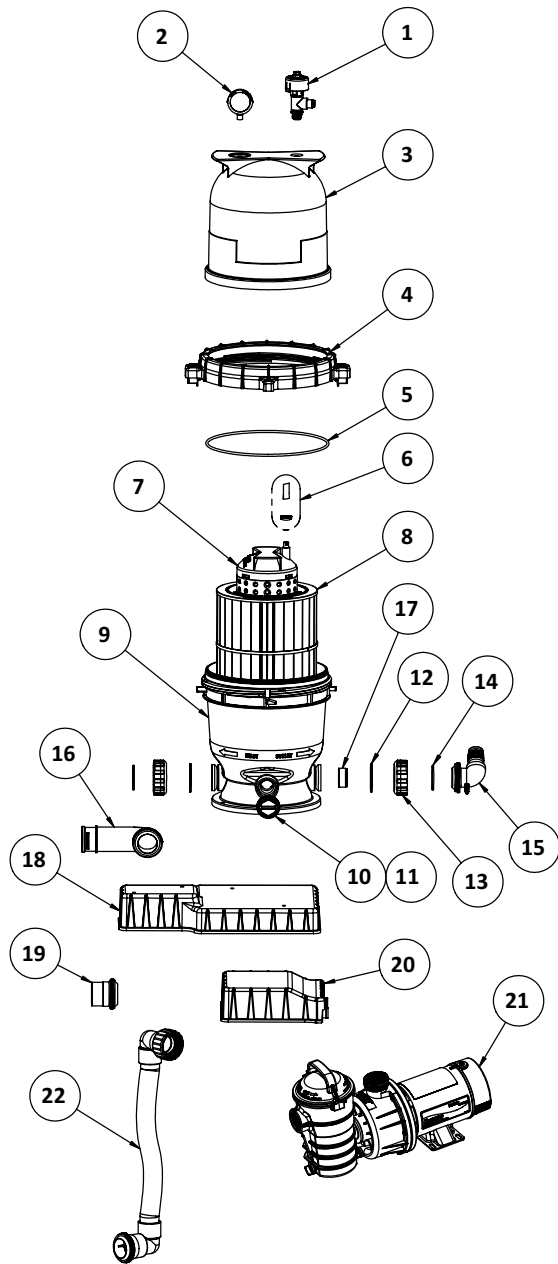
CALIFORNIA PROPOSITION 65 WARNING

⚠ **WARNING:** Cancer and Reproductive Harm.
 ⚠ **AVERTISSEMENT:** Peut Causer le Cancer et des Dommages au Système Reproducteur.
 ⚠ **ADVERTENCIA:** Cáncer y Daño Reproductivo.
www.p65warnings.ca.gov

¹ Replacement Hose Kits include two (2) hoses, four (4) hose adaptors and four (4) hose clamps.

CLEAN & CLEAR® FILTER SYSTEMS

REPLACEMENT PARTS FOR SYSTEMS MANUFACTURED PRIOR TO 2009



CALIFORNIA PROPOSITION 65 WARNING
 ⚠️ **WARNING:** Cancer and Reproductive Harm.
 ⚠️ **AVERTISSEMENT:** Peut Causer le Cancer et des Dommages au Système Reproducteur.
 ⚠️ **ADVERTENCIA:** Cáncer y Daño Reproductivo.
www.p65warnings.ca.gov PK320754

Item	Part No.	Description
CLEAN & CLEAR FILTER SYSTEMS PRIOR TO 2009		
1	98209800	High Flow™ Manual Air Relief Valve (HFMARV)
2	190058Z	Gauge, pressure
3	178553	Lid 50, 100 sq. ft., almond
3	178561	Lid, 75/150/200 sq. ft., almond
4	59052900	Locking ring assy.
5	87300400Z	Body O-ring
6	59016200	Air bleed sock kit
7	59053500	Center core 50 sq. ft.
7	59053600	Center core 75 sq. ft.
7	59053700	Center core 100 sq. ft.
7	59053800	Center core 150/200 sq. ft.
8	R173213	Cartridge element 50 sq. ft.
8	R173214	Cartridge element 75 sq. ft.
8	R173215	Cartridge element 100 sq. ft.
8	R173216	Cartridge element 150 sq. ft.
8	R173217	Cartridge element 200 sq. ft.
9	178562	Bottom 50 sq. ft., almond
9	178554	Bottom 75 sq. ft., almond
9	178563	Bottom 100 sq. ft., almond
9	178560	Bottom 150/200 sq. ft., almond
10	51516200	Drain cap ³
10	86202000	Plug 1-1/2 in. drain, w/ O-ring ⁴
11	86300500	Drain cap gasket ³
11	51005000	O-ring, drain cap ⁴
12	39104500	Union nut "C" clip
13	98212200	Union nut
14	071426	O-ring, union
15	39107400	Fitting elbow pump connector ²
16	170037	Fitting elbow pump connector ²
17	51516100	Check valve kit
18	170058	Base assy.
19	79304700	Body swivel w/ 1-1/2 in. NPT internal threads
20	178541	Chlorinator base
20	98200700	Bolt
20	155109	T-nut
21		Pump
22	175015	Pump/filter connector, Dynamo ⁵
22	170046	Pump/filter connector, OptiFlo
NOT SHOWN		
354571		O-Ring (Union)

² Used on filters manufactured after 3/98.

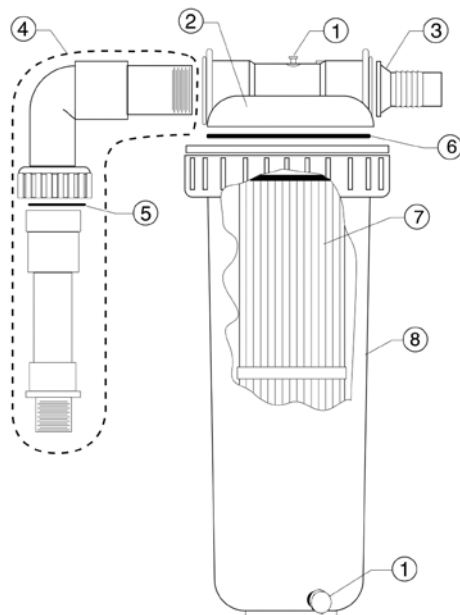
³ Used on filters manufactured before 11/98.

⁴ Used on filters manufactured after 11/98.

⁵ Used on filters manufactured after 1/01 with the Dynamo Pump.

PREDATOR™ II MINI-CELLULAR MEDIA FILTER SYSTEM

REPLACEMENT PARTS



Item	Part No.	Description
PREDATOR II FILTER SYSTEM		
1	R172224XZ	Air relief valve
2	R172213XT	Lid
3	510166	Hose adapter
4	59019800	Pump connector
5	071426	O-ring
6	R172223Z	O-ring
7	R172327	Cartridge
8	R172212X	Body
NOT SHOWN		
	R172214	Lock ring
	98105700	Base assy.

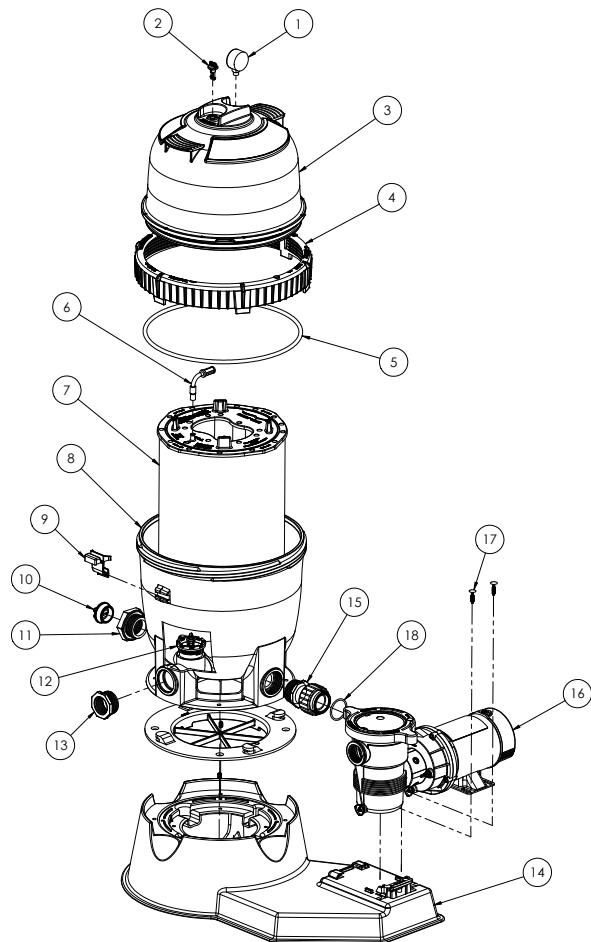
CALIFORNIA PROPOSITION 65 WARNING

⚠ **WARNING:** Cancer and Reproductive Harm.
 ⚠ **AVERTISSEMENT:** Peut Causer le Cancer et des Dommages au Système Reproducteur.
 ⚠ **ADVERTENCIA:** Cáncer y Daño Reproductivo.

www.p65warnings.ca.gov
P182011A

PLM FILTER SYSTEMS

REPLACEMENT PARTS FOR SYSTEMS MANUFACTURED 2009 AND BEYOND



Note: System shown with 155333P Base and OptiFlo® Pump

CALIFORNIA PROPOSITION 65 WARNING
 ⚠️ **WARNING:** Cancer and Reproductive Harm.
 ⚠️ **AVERTISSEMENT:** Peut Causer le Cancer et des Dommages au Système Reproducteur.
 ⚠️ **ADVERTENCIA:** Cáncer y Daño Reproductivo.
www.p65warnings.ca.gov PK2017A

Item	Part No.	Description
PLM FILTER SYSTEMS 2009 AND BEYOND		
1	15060-0000T	Pressure Gauge
2	25010-0200	Air Relief Valve Assembly
3	27001-0020S	Tank Shell Upper Half
4	27001-0054S	Posi-Lok Ring
5	27001-0061S	Body O-Ring
6	24800-0121	Air Bleed Assembly
7	27002-0100S	Filter Module - PLM100
7	27002-0150S	Filter Module - PLM150
8	27001-0009S	Tank Shell Lower Half
9	27001-0051	Safety Latch
10	27001-0022	1-1/2 in. NPT Plug
11	24900-0510	Adapter Fitting
12	27001-0130S	Spring Check Valve
13	U78-820P3	2 in. to 1-1/2 in. Pipe Reducer
14	155331P	Systems Base (ABG/JWP)
14	155331CP	Systems Base, CSA (ABG/JWP)
14	155333P	Systems Base (OptiFlo)
14	155333CP	Systems Base, CSA (OptiFlo)
15	155403	Pump to Filter Hose Assembly (JWP)
15	155374	Pump to Filter Assembly (OptiFlo) ²
15	155765	Pump to Filter Assembly (OptiFlo) ³
16		Pump
17	710009	Base Hardware Kit
18	354571	O-Ring, Union (Opti-Flo)
18	U9-226Z	O-Ring, Union (JWP)
NOT SHOWN		
	155151	Kit, Flex Hose, 6 ft. ¹
	155005	Kit, Flex Hose, 12 ft. ¹

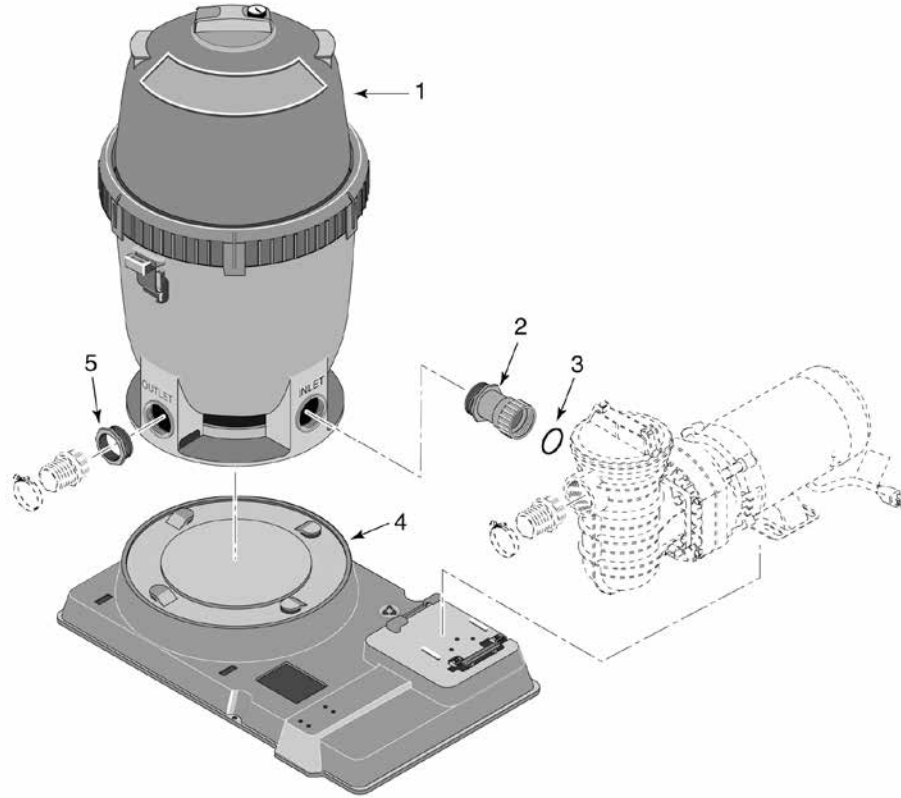
¹ Replacement Hose Kits include two (2) hoses, four (4) hose adaptors and four (4) hose clamps.

² When replacement OptiFlo pump is used on base 155333P and 155333CP.

³ When replacement OptiFlo pump is used on base 155331P and 155331CP.

PLM FILTER SYSTEMS

REPLACEMENT PARTS FOR SYSTEMS MANUFACTURED PRIOR TO 2009

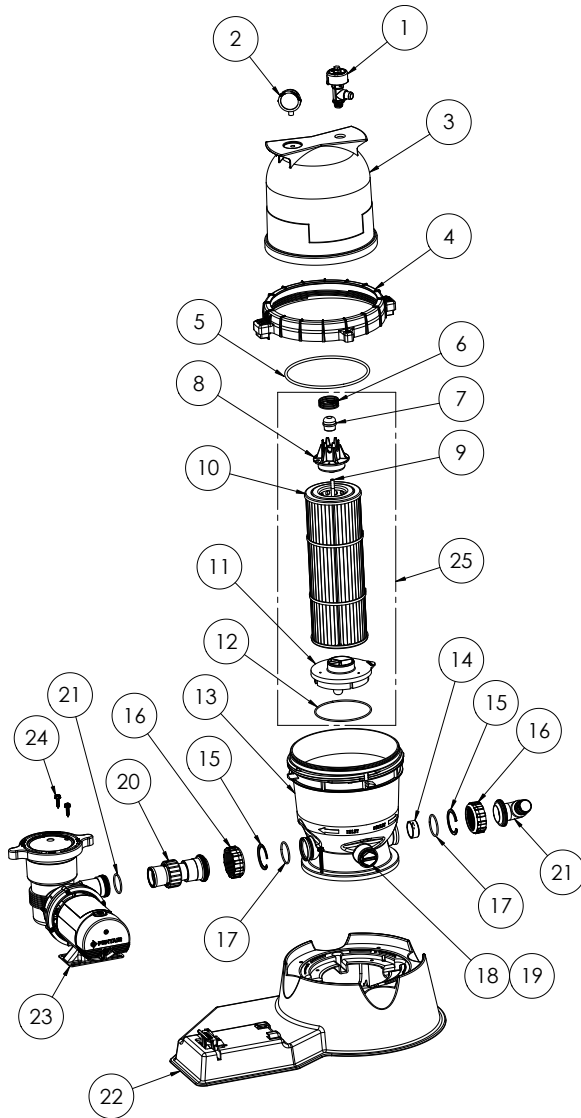


Item	Part No.	Description
PLM FILTER SYSTEMS PRIOR TO 2009		
1	PLM100	PLM100 Filter Tank Assembly
1	PLM150	PLM150 Filter Tank Assembly
1	PLD50	PLD50 Filter Tank Assembly
2	27001-0120	Union Half Assembly (JWP)
2	155765	Pump to Filter Assembly (OptiFlo)
3	U9-226Z	O-Ring
4	27001-0031	Platform Base
5	U78-820P	2 in. NPT x 1-1/2 in. NPT Reducer Bushing
	155151	Hose Assembly 1-1/2 in. x 6 ft. ('03 Models only)

CALIFORNIA PROPOSITION 65 WARNING
 ⚠️ **WARNING:** Cancer and Reproductive Harm.
 ⚠️ **AVERTISSEMENT:** Peut Causer le Cancer et des Dommages au Système Reproducteur.
 ⚠️ **ADVERTENCIA:** Cáncer y Daño Reproductivo.
www.p65warnings.ca.gov PK2017A

EASyclean™ FILTER SYSTEMS

REPLACEMENT PARTS



Item	Part No.	Description
EASyclean FILTER SYSTEMS		
1	98209800	High Flow Manual Relief Valve
2	190058Z	Pressure Gauge
3	178561	Lid, Almond
4	59052900	Locking Ring Assy
5	87300400Z	Body O-Ring
6	178616	Compression Spring
7	190106Z	Air Bleeder
8	178626	Center Core Top, EC
9	U37-3/8P	Air Bleeder Tube, EC60
9	U37-3/8P	Air Bleeder Tube, EC90
10	178757	Cartridge Element, EC60
10	178656	Cartridge Element, EC90
11	178627	Center Core Bottom, EC
12	071422	O-Ring, Center Core
13	178562	Tank Bottom, EC60
13	178563	Tank Bottom, EC90
14	51516100	Check Valve Kit
15	39104500	C-Clip Union Nut
16	98212200	Union Nut
17	071426	O-Ring Union
18	86202000	Drain Cap with O-Ring
19	51005000	O-Ring Drain Cap
20	155372	Pump to Filter Assembly (OptiFlo) - comes with O-ring (354571)
21	354571	O-Ring Union
22	155333P	Systems Base
23		Pump
24	710009	Base Hardware Kit
25 ¹	196060	Element Retro Kit, EC60
25 ¹	196060	Element Retro Kit, EC90
NOT SHOWN		
	155151	Flex Hose Kit (6 ft.) ²
	155005	Flex Hose Kit (12 ft.) ²

¹ Item 25 includes items 6 through 12. Item 25 replaces the Center Core, Cartridge Element, and Air Bleeder Sock Kit on filters manufactured before 2014.

² Replacement Hose Kits include two (2) hoses, four (4) hose adapters and four (4) hose clamps.

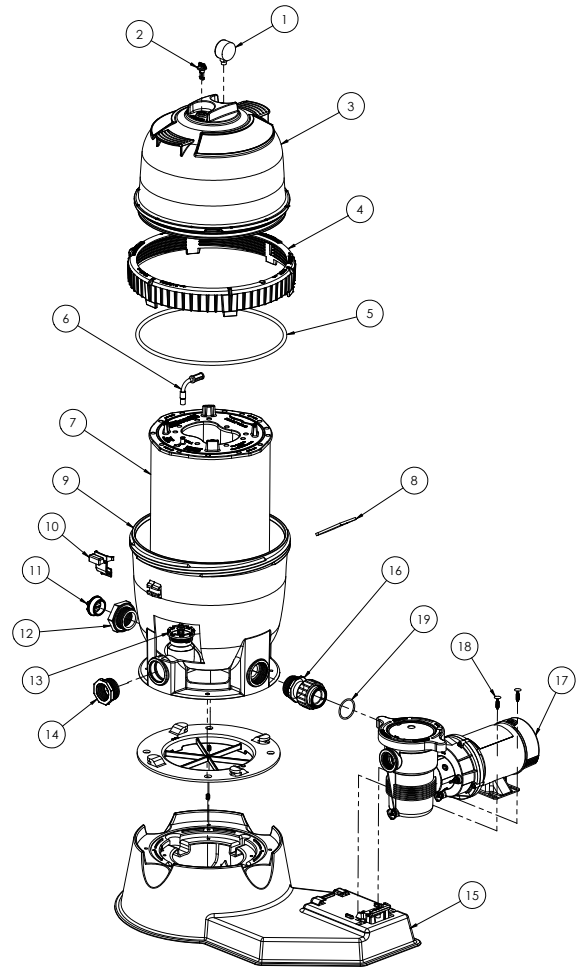
CALIFORNIA PROPOSITION 65 WARNING
 ⚠️ **WARNING:** Cancer and Reproductive Harm.
 ⚠️ **AVERTISSEMENT:** Peut Causer le Cancer et des Dommages au Système Reproducteur.
 ⚠️ **ADVERTENCIA:** Cáncer y Daño Reproductivo.
www.p65warnings.ca.gov P18-201514

PLD FILTER SYSTEMS

REPLACEMENT PARTS FOR SYSTEMS MANUFACTURED 2009 AND BEYOND



Item	Part No.	Description
PLD FILTER SYSTEMS 2009 AND BEYOND		
1	15060-0000T	Pressure Gauge
2	25010-0200	Air Relief Valve Assembly
3	27001-0020S	Tank Shell Upper Half
4	27001-0054S	Posi-Lok Ring
5	27001-0061S	Body O-Ring
6	24800-0120	Air Bleed Assembly
7	27002-0030S	Filter Module - PLD50
8	27001-0011	Flapper Valve
9	27001-0009S	Tank Shell Lower Half
10	27001-0051	Safety Latch
11	27001-0022	1-1/2 in. NPT Plug
12	24900-0510	Adapter Fitting
13	27001-0130S	Spring Check Valve
14	U78-820P3	2 in. to 1-1/2 in. Pipe Reducer
15	155331P	Systems Base (ABG/JWP)
15	155331CP	Systems Base, CSA (ABG/JWP)
15	155333P	Systems Base (OptiFlo)
15	155333CP	Systems Base, CSA (OptiFlo)
16	155403	Pump to Filter Hose Assembly (JWP)
16	155374	Pump to Filter Assembly (OptiFlo) ²
16	155765	Pump to Filter Assembly (OptiFlo) ³
17		Pump
18	710009	Base Hardware Kit
19	354571	O-Ring, Union
NOT SHOWN		
	155151	Kit, Flex Hose, 6 ft. ¹
	155005	Kit, Flex Hose, 12 ft. ¹



Note: System shown with 155333P Base and OptiFlo® Pump

¹ Replacement Hose Kits include two (2) hoses, four (4) hose adapters and four (4) hose clamps.

² When replacement OptiFlo pump is used on base 155333P and 155333CP.

³ When replacement OptiFlo pump is used on base 155331P and 155331CP.

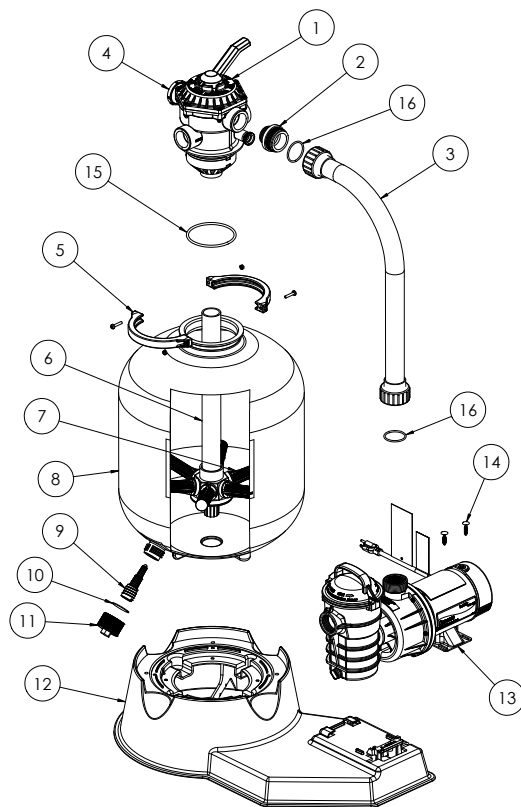
CALIFORNIA PROPOSITION 65 WARNING

⚠ **WARNING:** Cancer and Reproductive Harm.
 ⚠ **AVERTISSEMENT:** Peut Causer le Cancer et des Dommages au Système Reproducteur.
 ⚠ **ADVERTENCIA:** Cáncer y Daño Reproductivo.

www.p65warnings.ca.gov. P182017A

SAND DOLLAR® FILTER SYSTEMS

REPLACEMENT PARTS FOR SYSTEMS MANUFACTURED 2009 AND BEYOND



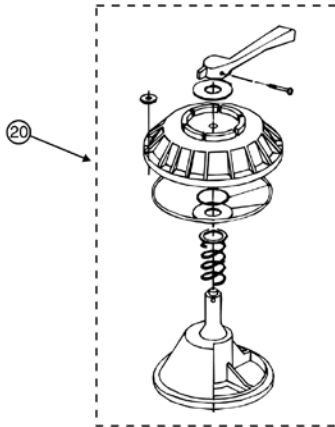
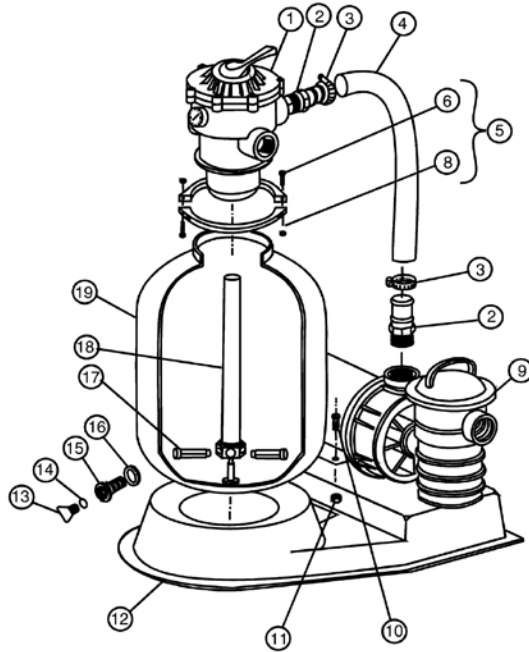
Item	Part No.	Description
SAND DOLLAR FILTER SYSTEMS 2009 AND BEYOND		
1	262506	Valve, 1-1/2 Inch, 6-Way
2	354588	Adaptor, NPT to Buttress
3	155709	Pump to Filter Assembly (Dynamo to SD35)
3	155710	Pump to Filter Assembly (Dynamo to SD40)
3	155711	Pump to Filter Assembly (Dynamo to SD60)
4	190059Z	Pressure Gauge
5	152165	Clamp Assembly
6	152229	Piping Assembly – SD35
6	152228	Piping Assembly – SD40
6	152227	Piping Assembly – SD60
7	150084	Lateral – SD 35 & SD 40
7	150085	Lateral – SD60
8	145339	Tank w/ Drain – SD35
8	145341	Tank w/ Drain – SD40
8	145343	Tank w/ Drain – SD60
9	154711Z	Sand Drain
10	154715	Gasket (Sand Drain)
11	154712Z	Drain Cap
12	155333P	Systems Base
12	155333CP	Systems Base, CSA Pump
13		Pump
14	710009	Base Hardware Kit
15	272541	O-Ring Valve Body
16	354571	O-Ring, Union
NOT SHOWN		
	155151	Kit, Flex Hose, 6 ft. ¹
	155005	Kit, Flex Hose, 12 ft. ¹

¹ Replacement Hose Kits include two (2) hoses, four (4) hose adaptors and four (4) hose clamps.

CALIFORNIA PROPOSITION 65 WARNING
 ⚠️ **WARNING:** Cancer and Reproductive Harm.
 ⚠️ **AVERTISSEMENT:** Peut Causer le Cancer et des Dommages au Système Reproducteur.
 ⚠️ **ADVERTENCIA:** Cáncer y Daño Reproductivo.
www.p65warnings.ca.gov PR 2015A

SAND DOLLAR® FILTER SYSTEMS

REPLACEMENT PARTS FOR SYSTEMS MANUFACTURED PRIOR TO 2009



CALIFORNIA PROPOSITION 65 WARNING
 ⚠️ **WARNING:** Cancer and Reproductive Harm.
 ⚠️ **AVERTISSEMENT:** Peut Causer le Cancer et des Dommages au Système Reproducteur.
 ⚠️ **ADVERTENCIA:** Cáncer y Daño Reproductivo.
www.p65warnings.ca.gov P/N 28751A

Item	Part No.	Description
SAND DOLLAR FILTER SYSTEMS PRIOR TO 2009		
1	262506	6 Way Valve assy.
2	711006	Adapter - 1-1/2 in. hose, 2 req.
2	150046	Adapter w/ chlorinator conn., 2 req.
3	711004	Clamp-hose, 3 req.
4	154893	Hose 21-1/2 in. clear/gray spiral, SD 35
4	154894	Hose 26 in clear/gray spiral, SD 40

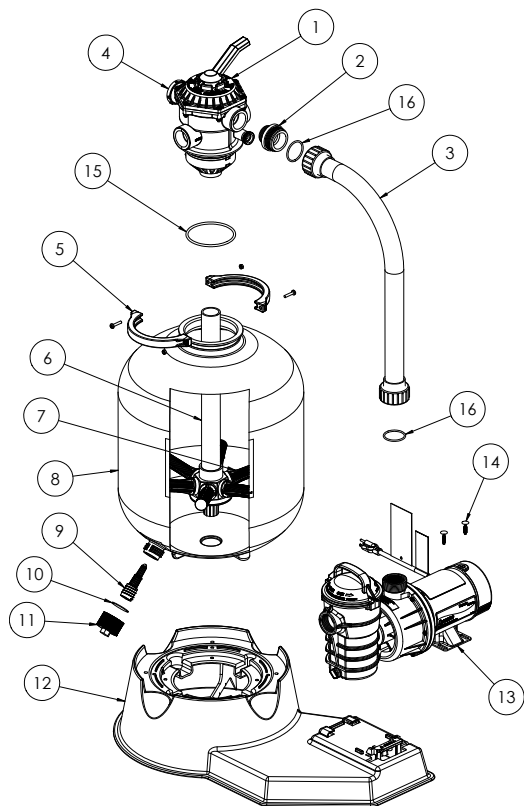
Item	Part No.	Description
4	154895	Hose 30 in. clear/gray spiral, SD 60
5	152165	Clamp assy. - aboveground system ¹
6	152168	Screw #M6 x 1 pan hd. Phillips s/s, 2 req. ¹
8	152167	Nut #M6 s/s, 2 req. ¹
9		Pump
10	354265	Screw - 1/4 in.-18 hex washer hd., 2 req. ²
11	155109	Nut-T4 prong 5/16 in.-18, req. 2
12	152901	Base assy. ²
13	357161Z	Plug-drain 1/4 in. NPT wing ⁵
14	192115Z	O-ring-drain plug (1/16 in. x 1/2 in. i.d.) ⁵
15	150055	Drain Kit ⁴
16	154713	Gasket, sand drain ³
17	155007	Lateral - SD 35, 8 req.
17	152290	Lateral - SD 40 & 60, 8 req.
17	150084	Lateral - SD 35, SD 40 ⁴
17	150085	XLong Lateral SD 60 ⁴
18	155504	Assy.-SD 35 internal piping
18	155062	Assy.-SD 40 internal piping
18	155532	Assy.-SD 60 internal piping
19	145324	Tank w/ internals-SD 35 almond
19	145327	Tank w/ internals-SD 40 almond
19	145330	Tank w/ internals-SD 60 almond
20	272531	HiFlow 1-1/2 in. top valve assy.

NOT SHOWN		
155151		Hose, 1-1/2 in. x 6 ft., filter/pump to pool
155005		Hose, 1-1/2 in. x 12 ft., filter/pump to pool
154712Z		1-1/2 in. drain cap
154715		O-Ring for 1-1/2 in. drain cap
155167		Kit Bag Systems

¹ P/N 152165 (clamp assy.) consists of 2 each of the following: P/N 152166 (clamp half), P/N 152167 (nut) and P/N 152168 (screw).
² P/N 152901 (aboveground base) consists of P/N 152900 (base) and 2 each of the following: P/N 155109 (T4 nuts) and P/N 354265 (screw).
³ P/N 192040 O-ring used on tanks manufactured after 1/1/03.
⁴ Manufactured after 10/04.
⁵ Manufactured before 10/04.

CRISTAL-FLO™ II FILTER SYSTEMS

REPLACEMENT PARTS FOR SYSTEMS MANUFACTURED 2009 AND BEYOND



Item	Product	Description
CRISTAL-FLO II FILTER SYSTEMS 2009 AND BEYOND		
1	262506	Valve, 1-1/2 Inch, 6-Way
2	354588	Adaptor, NPT to Buttress
3	155726	Pump to Filter Assy (JWP/ABG to 16 in. Tank)
3	155727	Pump to Filter Assy (JWP/ABG to 19 in. Tank)
3	155728	Pump to Filter Assy (JWP/ABG to 22 in. Tank)
3	155709	Pump to Filter Assy (Dynamo/OptiFlo to 16 in. Tank)
3	155710	Pump to Filter Assy (Dynamo/OptiFlo to 19 in. Tank)
3	155711	Pump to Filter Assy (Dynamo/OptiFlo to 22 in. Tank)
4	190059Z	Pressure Gauge
5	152165	Clamp Assembly
6	152229	Piping Assembly – 16 in. Tank
6	152228	Piping Assembly – 19 in. Tank
6	152227	Piping Assembly – 22 in. Tank
7	150084	Lateral – 16 in. & 19 in. Tanks
7	150085	Lateral – 22 in. Tanks
8	145364	Tank w/ Drain – 16 in. Tank
8	145365	Tank w/ Drain – 19 in. Tank
8	145366	Tank w/ Drain – 22 in. Tank
9	154711Z	Sand Drain
10	154715	Gasket (Sand Drain)
11	154712Z	Drain Cap
12	155333P	Systems Base
12	155333CP	Systems Base, CSA Pump
13		Pump
14	710009	Base Hardware Kit
15	272541	O-Ring Valve Body
16	354571	O-Ring, Union
NOT SHOWN		
	155151	Kit, Flex Hose, 6 ft. ¹
	155005	Kit, Flex Hose, 12 ft. ¹
	155767	Conn Kit, Pump to Filter All sizes

CALIFORNIA PROPOSITION 65 WARNING
 ⚠️ **WARNING:** Cancer and Reproductive Harm.
 ⚠️ **AVERTISSEMENT:** Peut Causer le Cancer et des Dommages au Système Reproducteur.
 ⚠️ **ADVERTENCIA:** Cáncer y Daño Reproductivo.
www.p65warnings.ca.gov P8 2015A

¹ Replacement hose kits include (2) hoses, (4) hose adapters and (4) hose clamps.