



COMMERCIAL
PRODUCT CATALOG

2022

PENTAIR.COM



BIOSHIELD[®]

UV SYSTEM

Deepen protection. Lessen chlorine spend.

Reliable, affordable sanitizing technology through the power of UV.

Create a cleaner, healthier aquatic environment with the Pentair NSF-approved BioShield UV commercial systems. BioShield helps improve water and air quality by eliminating harmful chloramines while reducing chemical usage. This lowers operational costs and provides an affordable solution to instantly help protect against chlorine-resistant micro-organisms.

800.831.7133

pentair.com/bioshielduv

Scan the QR code to go now



NSF Recreational Water
ICC-4832

What makes NSF certification important

NSF Certification HMAC Systems are NSF certified as a water conditioning device. The BioShield UV system is the first in the industry to receive this certification.



PRODUCT DIRECTORY

Directory	1
Warranty Information	2
Terms and Conditions	3

INTEGRATION BY DESIGN 4-7

Large Mechanical Room	6
Small Mechanical Room	7

AUTOMATION 8-15

Commercial IntelliChem Chemical Controller	10
LX80/LX820 Pool & Spa Control Systems	11
IntelliValve and Valve Actuator	12
IntelliCenter Control System	13
IntelliTouch Automation System	13
EasyTouch Control System	14
GFCI Circuit Breakers	15

FILTERS 16-37

Stark SS Horizontal Sand Filters	18-19
Stark S Horizontal Sand Filters	20-21
Stark 5S Horizontal Sand Filters	22-23
Stark Controllers and Valves	24
Stark AQ and V Series.....	25
THS Series Horizontal Sand Filters	26-27
Triton C and C-3 Filters	28
Triton HD Side Mount Filter	29
SCH 40 & 80 for TR 100C, 140C,100C-3 &140C-3	30-31
System:3 SM Series Filters	32-33
Clean and Clear Plus Filters	34
Quad D.E. Filters	35
System:3 SMD Series Modular D.E. Filters	36-37

HEATERS & HEAT PUMPS 38-55

PowerMax Heater.....	40-42
MegaTherm Heater	43-47
ETi 400 High Efficiency Heater.....	48
MasterTemp Heater.....	49-50
Max-E-Therm Heater	51-52
Max-E-Therm & MasterTemp Accessories	52-53
UltraTemp Heat Pumps	54

LIFTS & DECK EQUIPMENT 56-65

AquaTRAM Pool Access Lifts.....	58-63
Paragon Deck Equipment	64-65

LIGHTING 66-81

IntelliBrite 5g White LED Lights.....	68-69
GloBrite White LED Lights	70
MicroBrite White LED Lights	71
Slimlite 5g LED Lights.....	72
Amerlite Lights	73-74
Pentair Small Stainless Steel Niches	75
Pentair Large Stainless Steel Niches	76
Plastic Niches	77
Accessories & Junction Boxes	78
Underwater Speakers.....	79
Fountain Lights and Fixtures.....	80

MAINTENANCE, SAFETY, CLEANERS 82-105

Brushes & Scrubbers.....	84
Hand Skimmers & Leaf Rakes.....	85
Floats, Float Rope, Safety Hook	86
Maintenance Kits	87
Poles	88
Pool & Spa Signs	89-91
Test Kits and Test Reagents	92
Water Hardness / Specialty Test Kits	93
ProVac Flexible Vacuums	94
Flowmeters.....	95
Admiral S20 Skimmers	96-97
Bermuda Skimmers	98-99
U-3 Skimmers	100-101
Return Fittings.....	102
Automatic Water Fillers.....	103
Prowler Robotic Cleaners	104

PUMPS 106-155

Acu Drive XS Variable Frequency Drives.....	108-109
EQ Series Commercial Plastic Pumps	110-113
C Series Commercial Bronze Pumps	114-117
CSP/CCSP Series Commercial Pumps.....	118-119
5CSP/5CCSP Series Commercial Pumps.....	120-121
Aurora 3800 and 410 Series Pumps	122
Berkeley B-Series Commercial Pumps	123
D-Series Commercial Pool Pumps.....	124-125
WhisperFloXF VS High Performance Pumps.....	126-127
WhisperFloXF High Performance Pumps.....	128-129
IntelliFloXF VSF Pumps.....	130-131
IntelliFlo VS+SVRS Pumps	132-133
WhisperFlo Pumps.....	134-135
Max-E-ProXF VS Pumps.....	136-137
Max-E-ProXF Pumps.....	138-139
Max-E-Pro Pumps	140-143
IntelliProXF VSF Pumps.....	144-145
IntelliPro VS+SVRS Pumps	146-147
IntelliFlo i2 Variable Speed Pump	148-149
IntelliFlo i1 Variable Speed Pump.....	150-151
PS Series In-Line Strainer	152
Hair and Lint Strainers.....	153
PCD-1000 Submersible Pump.....	154

SANITIZERS 156-165

BioShield CLP UV Systems	158-160
BioShield CVP UV Systems	161
BioShield HMAC Systems.....	162
IntelliChlor Salt Chlorinator	163
Automatic Chlorine/Bromine Feeders	164
Chlorine/Bromine Sizing Charts	165

VALVES 166-172

Diverter and Check Valves	168
FullFloXF Diverter and Check Valves	169
Pre-Plumbed Valves	170
Slide Valves.....	171
HiFlow Valve.....	172

ENGINEERING DATA 173-184

INDEX 185-192

LIMITED WARRANTY

You've always been able to count on the quality and long service life of Pentair products. We use the very best standards of workmanship, materials, and manufacturing processes to deliver value and peace of mind. Please review this document for details of general warranty terms and conditions and visit www.pentair.com/warranty for information regarding the coverage duration and any possible warranty exceptions for your specific pool and spa equipment. Pentair offers:

- **LIMITED WARRANTY:** Pentair warrants its products to be free from defects in material and/or workmanship for a period of sixty (60) days (parts only) from the original date of purchase and/or installation. Customer agrees to prepay all shipping charges to Pentair.
- **EXTENDED WARRANTY:** To receive a product extended warranty (longer than 60 days from the original date of installation), customer must:
 1. Register the product;
 2. Provide a copy of the sales receipt; and
 3. Provide a copy of the installation invoice, provided by the qualified installer, within 60 days of installation (if required). Certain products do not require qualified installation but still require product registration and copy of the sales receipt to receive the extended warranty.
- **TRADEGRADE WARRANTY:** TradeGrade products must be purchased from a retail store (brick and mortar), pool builder or pool service company. If purchased online (via internet) the product will only receive a sixty (60) day limited warranty.
- **ECOMMERCE (EC) WARRANTY:** Products purchased from an Authorized Pentair Online Reseller receive a one (1) year (parts only) warranty from the date of purchase. To receive an eCommerce warranty, customer must:
 1. Register the product, and
 2. Provide a copy of the sales receipt

GENERAL WARRANTY TERMS AND CONDITIONS

DENIAL OF WARRANTY CLAIM

A warranty claim may be denied under the following circumstances:

1. Damage caused by careless handling, improper repackaging, or shipping.
2. Damage due to misapplication, misuse, abuse or failure to operate equipment as specified in the owner's manual.
3. Damage caused by failure to install products as specified in the owner's manual.
4. Damage due to unauthorized product modifications or failure to use Pentair original replacement parts.
5. Damage caused by negligence, or failure to properly maintain products as specified in the owner's manual.
6. Damage caused by failure to maintain water chemistry in conformity with the standards of the swimming pool industry for any length of time.
7. Damage caused by water freezing inside the product.
8. Accidental damage, fire, acts of God, or other circumstances outside the control of Pentair.

PENTAIR WARRANTY OBLIGATIONS

Should a defect in workmanship and/or material in any item covered by this warranty become evident during the term of the warranty, then upon the customer following the procedures set forth below, Pentair will, at its sole option, repair or replace such product or part of equal value, in lieu of repair.

Pentair is not, however, responsible under this warranty for any cost of shipping or transportation of the product or parts thereof to or from the Technical Service Department. Also, Pentair is not liable for any loss of time, inconvenience, incidental expenses such as telephone calls, labor or material charges incurred in connection with the removal or replacement of the equipment, or any other incidental or consequential damages.

The above mentioned warranties are void if the product is repaired or altered in any way by any persons, agents or representatives other than those authorized by Pentair. Expendables including, but not limited to refrigerant, recovery of refrigerant, or transportation for components are not covered under this limited warranty. Reasonable vehicle trip and evaluation charges may be assessed by a Pentair service representative. Some states do not allow the exclusion or limitation of incidental or consequential damages, so the above limitation or exclusion may not apply to you.

All extended warranties are applicable to the original owner only, beginning on the date of installation and are not enforceable by any third party.

WARRANTIES BY OTHERS

Some Pentair products incorporate components manufactured by other manufacturers. Some of these manufacturers provide warranties in addition to the warranty provided by Pentair herein. In all such cases, a copy of the third party manufacturer's warranty will be provided with the product. To the extent protection provided under any such third party warranty exceeds the Limited Warranty provided herein, the Customer will have to contact the specific manufacturer for the additional protection.

NO OTHER WARRANTIES

To the maximum extent permitted by applicable law, Pentair disclaims all other warranties, either expressed or implied, including, but not limited to, implied warranties of merchantability and fitness for a particular purpose, with regard to the product(s), part(s) and/or any accompanying written materials.

PROCEDURE FOR OBTAINING PERFORMANCE

In order to obtain the benefits of this warranty, the consumer who made the original retail purchase must contact the Pentair Technical Service Department as soon as possible after discovery of the product related issue, but in no event later than the expiration date of the respective warranty periods provided herein. Upon receipt of this communication, Pentair will promptly notify the customer of the address to which the product may be shipped. The customer shall then ship the product, freight prepaid, to the address indicated, together with a "RETURN GOODS AUTHORIZATION" form obtained from Technical Service and a brief description of the problems encountered. Unauthorized returns will not be accepted. Freight must be prepaid by customer.

WARRANTIES OR REPRESENTATIONS BY OTHERS

No third party has any authority to make any warranties or representation concerning Pentair or its products. Accordingly, Pentair is not responsible for any such warranties or representations.

OTHER RIGHTS

This warranty gives you specific legal rights and you may also have other rights, which vary from state to state.

SOLE WARRANTY

Supersedes all previous warranty publications.

www.pentair.com/warranty

1620 Hawkins Ave., Sanford, NC 27330 • (919) 566-8000
10951 W. Los Angeles Avenue, Moorpark, CA 93021 • (805) 553-5000

TERMS AND CONDITIONS

Ordering: To ensure prompt and proper shipment, please order by product number and description. Orders must be placed via fax (877) 606-5457, email: ordereast@pentair.com or EDI. No telephone orders will be accepted. Products and prices are subject to change without notice.

Minimum Order: \$50.00

Terms: All sales are cash with order until credit is established. Merchandise will be invoiced at the prices in effect at the time of shipment. Terms are: Payments 1% 15 days, net 30 days. Term discounts apply only to accounts which are current.

Returns: All returns are subject to our written approval and must be accompanied by "Return Goods Authorization" form or number issued by us prior to returning the material. Unauthorized returns will not be accepted. Freight must be prepaid. (On International Returns Freight must be prepaid (to the door) by the person or entity returning the goods. Customs Duties and Taxes are covered by Pentair and cleared by our appointed Customs Broker, Expeditors International). Do not request authorization to return material for credit which has been in your inventory over sixty (60) days and which is not in original resalable condition. Material authorized to be returned for credit is subject to a minimum 15% handling charge.

Shipments: Any order over \$20,000 (\$3,000 parts only order, excluding motors) shipped at one time to one location in the continental United States will be shipped freight prepaid.

An expedited processing fee of 5% of the total order will be charged for orders requesting Same Day Shipment.

Shipments (Cont'd): All shipments are Ex Works from the Pentair Shipping Site (EXW for domestic orders, FCA for international), and are subject to product availability.

The following product lines DO NOT qualify for prepaid freight under this \$20,000 prepaid freight order policy. (These items must be purchased under a separate purchase order.)

- Stark™, THS Series® Filters, Manifolds and Controllers
- Commercial Heaters 500,000 BTU and above
- Aurora® and Berkeley® Pumps, PS Series™ In-Line Strainers
- Paragon Deck Equipment
- AcuDrive™ XS Variable Frequency Drives
- Acu-Trol® Blue Labeled Commercial Chemical Controllers
- AquaTRAM® - Access Lifts
- BioShield® UV

The Pentair "Parts Express Program" will remain in place. Call Customer Service for details.

Claims: All claims must be made within fifteen (15) days after receipt of merchandise. See "Lost or Damaged Goods" instructions below.

LOST OR DAMAGED GOODS

IMPORTANT: Our responsibility for any shipment ceases when the carrier signs the Bill of Lading. Thoroughly inspect each shipment immediately upon arrival.

If cartons, packages, or crates are received in short or damaged condition, it is important that you notify the driver and insist on a notation of the loss or damage across the face of the delivery receipt; otherwise, no claim can be enforced against the carrier.

If concealed loss or damage is discovered, you must notify the carrier at once and request an inspection. It is also important that you do not discard the shipping carton or container. A concealed damage report must be made within five (5) days of delivery of the shipment. If this is not done, the carrier will not entertain any claim for the loss. The carrier agent will make an inspection and usually will grant a concealed damage notation. If you give the carrier a clear receipt for the goods that have been damaged in transit, you do so at your own risk and expense.

We are willing to assist you in every possible manner to collect claims for loss or damage, but our willingness does not make us responsible for collection of claims or replacement of material.

FOR INFORMATION OR ASSISTANCE CONTACT:

Pentair Customer Service Department

(800) 831-7133 • fax (877) 606-5457 – U.S.A.

Sanford (919) 566-8000

(919) 566-8916 – International Department Fax

Moorpark (805) 553-5000

(805) 530-0177 – International Department Fax

DISCLAIMER

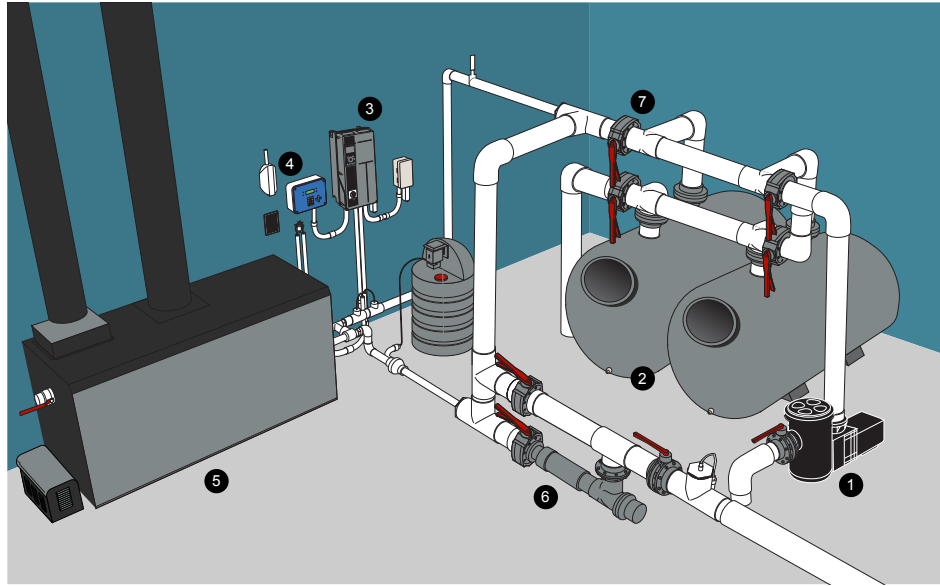
All content in this publication is based on information available at the time of printing. Pentair Water Pool and Spa, Inc. reserves the right to make changes at any time, without prior notice, to product specifications, part numbers, pricing, warranty terms, and to discontinue product or product components.



INTEGRATION BY DESIGN



LARGE MECHANICAL ROOM COMPLETE SYSTEM SOLUTIONS



1. EQ SERIES® PUMPS
Now with TEFC motors provide high performance efficiency.



5. POWERMAX® HEATERS
PowerMax heater provides peak efficiency in both indoor and outdoor applications to 2,000,000 BTU's.



2. THS SERIES® AND STARK FILTERS
Provide maximum filtration in proven technology.



6. BIOSHIELD® UV SANITIZERS
Provide excellent secondary sanitizing system.



3. ACU DRIVE™ XS VFD
Optimize performance for your Commercial pumps.



7. FILTER MANIFOLD KITS
Feature automatic diaphragm or butterfly valves.



4. COMMERCIAL INTELLICHEM® CHEMICAL CONTROLLER
Helps provide proper chemical management.



INTELLIBRITE® WHITE 5G LED LIGHTING
Creates energy savings and efficient lighting for large pools.

CALIFORNIA PROPOSITION 65 WARNING

⚠️ **WARNING:** Cancer and Reproductive Harm.
⚠️ **AVERTISSEMENT:** Peut Causer le Cancer et des Dommages au Système Reproducteur.
⚠️ **ADVERTENCIA:** Cáncer y Daño Reproductivo.
www.p65warnings.ca.gov

PR2017A

SMALL MECHANICAL ROOM COMPLETE SYSTEM SOLUTIONS



Conceptual Schematic of System for Reference Only



1. WHISPERFLOXF® VS PUMP
Energy savings up to 90% versus traditional pumps.*
WEF 5.0 THP 5.0



6. INTELLICENTER®, INTELLITOUCH® & EASYTOUCH® AUTOMATION SYSTEMS
Programming and control of vital pool systems and accessories.



2. MASTERTEMP® & ETI® 400 HEATERS
Best in class efficiency. Eti 400 Heaters efficient up to 96%.



7. SCREENLOGIC® INTERFACE
Monitor and control key elements of a pool or spa directly from a mobile digital device and/or computer.



3. TRITON® C SERIES SAND FILTER
High efficiency and easy maintenance in high capacity applications.



4. COMMERCIAL INTELLICHEM® CHEMICAL CONTROLLER
24-hour control of water chemistry.



INTELLIBRITE® 5G UNDERWATER LIGHTS
White LED lights create vibrant pool or spa environments with high energy efficiency. Color-changing models also available.



5. BIOSHIELD® COMMERCIAL UV DISINFECTION SYSTEMS & HMAC SECONDARY WATER CONDITIONING SYSTEMS
Rapidly helps protect against chlorine-resistant micro-organisms while reducing chlorine usage.



COMMERCIAL INTELLICHLOR® & PENTAIR HIGH CAPACITY FEEDERS
Secondary sanitizer systems available for commercial settings where additional sanitization methods are required.

* Savings based on variable speed pump compared to a single-speed pump running 12 hours per day at an average of \$0.16 per kWh in a 20,000 gallon pool. Actual savings may vary based on local utility rates, pool size, pump run time, pump horsepower, pump rpm, plumbing size and length, pump model, service factor and other hydraulic factors. All systems equipped with automated Emergency Shutoff switch (ESO).

CALIFORNIA PROPOSITION 65 WARNING

⚠ **WARNING:** Cancer and Reproductive Harm.
 ⚠ **AVERTISSEMENT:** Peut Causer le Cancer et des Dommages au Système Reproducteur.
 ⚠ **ADVERTENCIA:** Cáncer y Daño Reproductivo.
www.p65warnings.ca.gov PR20171X



AUTOMATION



COMMERCIAL INTELLICHEM®

COMMERCIAL CHEMICAL CONTROLLER



Commercial IntelliChem
Chemical Controller

Featured Highlights

- Dual sanitizer support
- Programmable chemical feed cycle and mix times for precise water balance
- Aids in safer water conditions by preventing excess chemical addition in a 24 hour period
- Built-in Langelier Saturation Index calculator lets you know when your water chemistry is perfectly in or out of balance
- Flow sensor ensures chemicals won't feed without system flow
- Password-protected access prevents tampering or accidental program change
- Use of ScreenLogic2® on iOS® device offers the ability to keep track of pH, ORP, Temperature and Calculated PPM (cPPM) levels and make adjustments locally or remotely
- Compatible with IntelliChlor® Salt Chlorine Generators, external dosing pumps, and CO₂ systems
- Title-22 Compliant
- IntelliChem Commercial iOS device is available on Apple® App Store®
- 30-day data log storage of pH, ORP, cPPM and temperature
- Battery backup for RealTime Clock (RTC)

CALIFORNIA PROPOSITION 65 WARNING

⚠ **WARNING:** Cancer and Reproductive Harm.
 ⚠ **AVERTISSEMENT:** Peut Causer le Cancer et des Dommages au Système Reproducteur.
 ⚠ **ADVERTENCIA:** Cáncer y Daño Reproductivo.
www.p65warnings.ca.gov

Ordering Information

Product	Description	Application
COMMERCIAL INTELLICHEM CHEMICAL CONTROLLER		
523478	IntelliChem Commercial System No pump	The 523478 Controller is ETL Listed to NSF 50 Standard. Does NOT include ScreenLogic, but available as an option.
522577	IntelliChem Commercial System 1 pump ^{1,2}	Dual sanitization support w/standalone ScreenLogic remote PC and iOS device connectivity. Pre-mounted and pre-wired on 2x2 plastic backboard. Containers ordered separately. The 522577 Controller is ETL Listed to NSF 50 Standard.
522578	IntelliChem Commercial System 2 pumps ^{1,2}	Dual sanitization support w/standalone ScreenLogic remote PC and iOS device connectivity. Pre-mounted and pre-wired on 2'x2' plastic backboard. Containers ordered separately. The 522578 Controller is ETL Listed to NSF 50 Standard
INTELLICHEM CHEMICAL CONTROLLER ACCESSORIES		
523492Z	Stenner 50GPD External Pump ^{1,2}	50GPD Stenner pump for feeding liquid acid or chlorine
523493	Stenner 50GPD Pump Tube 2 pk. ^{1,2}	50GPD Stenner pump tubes for every 6-month replacement
523494	Stenner 50GPD Pump Tube 5 pk. ^{1,2}	50GPD Stenner pump tube for every 6-month replacement
522104	ScreenLogic Bundle (includes 520500 and 522620)	

¹ Pentair always recommends 1:1 dilution when using full strength muriatic acid. When mixing, remember to always add acid to water.

² Pentair recommends replacing peristaltic pump tubes every 6 months.
Note: Always try to position container off the equipment pad (if possible).

iOS® is a registered trademark of Cisco Technology, Inc. in the United States and/or other countries.

Apple® and App Store® are registered trademarks of Apple Inc., in the United States and/or other countries.



LX80 & LX820 SYSTEMS

COMMERCIAL POOL/SPA CONTROL SYSTEMS

TRADEGRADE

Featured Highlights

LX802 Commercial Pool/Spa Control System

- Emergency Shut-off Switch (disables all pumps)
- Audio Alarm
- Power Center available at the equipment site, features: mechanical time clocks for the Pool and Spa Filter Pumps, power relays (3) for Pool and Spa Filter Pumps and Spa Jet Pump and equipment service switches

LX8202 Emergency Shut-off System

- Emergency Shut-off Switch
- Audio Alarm
- Power Center at the equipment site with equipment status lights and power relays (2) for Spa Filter Pump and Jet Booster Pump

NOTE: System interfaces with existing Spring Wound Timer



LX802

Designed for a commercial pool and spa application. Provides Remote Spa Jets switch (suitable for outdoor locations) with electronic countdown timer (15/30 minutes).

CALIFORNIA PROPOSITION 65 WARNING

⚠ **WARNING:** Cancer and Reproductive Harm.
 ⚠ **AVERTISSEMENT:** Peut Causer le Cancer et des Dommages au Système Reproducteur.
 ⚠ **ADVERTENCIA:** Cáncer y Daño Reproductivo.
www.p65warnings.ca.gov

Ordering Information

Product	Circuits	Power Relays Std/Max	Circuit Breaker Capacity	Voltage	Relay Amp Inductive
LX80 & LX820 COMMERCIAL POOL/SPA CONTROL SYSTEMS					
LX802*	Pool Filter, Spa Filter, Jet1, Jet2	3 / 8	N/A	115V/230V	20
LX8202	*Spa Filter, Jet1, Jet2	2 / 3	N/A	115V/230V	20

* LX80 and LX820 systems standard relays included are 20 amp 2HP. Part number RLYLX3HP can be ordered if installing a 3HP pump.



LX8202

Designed for retrofitting commercial spas where an emergency shut-off switch is required.

Product	Description
ACCESSORIES FOR LX80 COMMERCIAL POOL/SPA CONTROL SYSTEM	
RCS1	Additional Spa Jets Switch (for multiple jet pumps)
ES03	Emergency Shut-Off Switch w/Audible Alarm
RLYLX	Additional Power Relay (for auxiliary equipment)
RLYLX3HP	Additional 25 Amp, 3 HP Power Relay (for auxiliary equipment)
RYALX	Harness to operate 2 Power Relays from one control circuit
ACCESSORIES FOR LX8202 COMMERCIAL POOL/SPA CONTROL SYSTEM	
RLYSC	Additional Power Relay (for second jet pump or filter pump)
RLYSC3HP	Additional 25 Amp, 3 HP Power Relay (for auxiliary equipment)

INTELLIVALVE®

VALVE ACTUATOR

TRADEGRADE



**IntelliValve
Valve Actuator**

The IntelliValve Valve Actuator lets you set just the right flow for water features. Its intuitive controls and LED position indicator lights make operation fast and push-button easy. Thirteen (13) bright LEDs provide a clear visual indication of the valve position from fully open to fully closed and everywhere in between. Simply use the left/right and Save buttons to set the perfect flow rate in just seconds.

Featured Highlights

- Thirteen (13) LEDs give precise, easy-to-read indication of valve position
- Built-in interface allows quick and simple set-up of water flow
- Sleek, minimalist design is compact and fits easily within any equipment pad
- Sealed, maintenance-free design is weatherproofed for maximum reliability and extended service life
- Suitable for 1.5", 2", 2.5" and 3" valve sizes.
- 24-volt operation for use with standard automation systems, 750 mA max amp draw
- Adjustable 3.75-degree increments within the maximum 180-degree swing

CALIFORNIA PROPOSITION 65 WARNING

⚠ **WARNING:** Cancer and Reproductive Harm.
 ⚠ **AVERTISSEMENT:** Peut Causer le Cancer et des Dommages au Système Reproducteur.
 ⚠ **ADVERTENCIA:** Cáncer y Daño Reproductivo.
www.p65warnings.ca.gov PA 201514

Ordering Information

Product	Description
INTELLIVALVE	
521485	For any Pentair Automation System Compatible with control systems that use standard actuators

VALVE ACTUATOR

VALVE CONTROL SYSTEMS

TRADEGRADE



Valve Actuator

Designed for use with 2-port and 3-port valves. Features maximum torque, 24VAC bi-directional motor.

Featured Highlights

CVA24 Valve Actuator

- Helps Prevent dead-heading of pumps
- Corrosion-proof enclosure
- Service switch (for flow direction)
- ETL recognized
- UL listed for use with IntelliTouch® Automation
- Operates Compool, Ortega® or Jandy® Valves
- Compatible with all 24VAC Control Systems

CALIFORNIA PROPOSITION 65 WARNING

⚠ **WARNING:** Cancer and Reproductive Harm.
 ⚠ **AVERTISSEMENT:** Peut Causer le Cancer et des Dommages au Système Reproducteur.
 ⚠ **ADVERTENCIA:** Cáncer y Daño Reproductivo.
www.p65warnings.ca.gov PA 201514

Ordering Information

Product	Model	Voltage	Cable	Rotation	Compatibility	Motor
VALVE ACTUATOR						
263043	CVA24L	24 VAC	3-wire	90 deg.	2-port Compool/Ortega/Jandy Valves	Bi-directional
263044	CVA24Y	24 VAC	3-wire	120 deg.	3-port Compool PTV2Y Valve	Bi-directional
263045	CVA24T	24 VAC	3-wire	180 deg.	3-port Compool/Ortega/Jandy Valves	Bi-directional

Jandy® is a registered trademark of Jandy Industries, Inc.

INTELLICENTER®

CONTROL SYSTEM FOR POOLS AND SPAS

Featured Highlights

- Easy to program, with step-by-step, on screen instructions
- Color touchscreen interface displays intuitive instructions in clear text and rich colors
- Convenient control from inside and outside the home via outdoor and indoor control panels and wireless remotes
- Remote control from anywhere: Android® and iOS® device, Web browsers on Mac® and PC computers and voice command with Amazon Echo®

CALIFORNIA PROPOSITION 65 WARNING
 ⚠️ **WARNING:** Cancer and Reproductive Harm.
 ⚠️ **AVERTISSEMENT:** Peut Causer le Cancer et des Dommages au Système Reproducteur.
 ⚠️ **ADVERTENCIA:** Cáncer y Daño Reproductivo.
www.p65warnings.ca.gov PH 201714



IntelliCenter is Pentair's highest-capacity and most service-friendly control system ever. Communication with this system can be done on a wide range of devices and platforms. Many important service, programming and monitoring tasks can be done without an on-location service call. Order popular bundled systems and receive everything in one box or build systems a la carte.

For more information on Pentair Automation systems visit www.pentair.com

INTELLITOUCH® AUTOMATION SYSTEMS

ADVANCED AUTOMATION SYSTEMS FOR POOL AND SPA

Featured Highlights

IntelliTouch Automation Systems offer innovative technology and a wide range of wireless and wired control panels that are easy to program with simple menus to enable pool owners to create and change programs without complication. Add a ScreenLogic2 Interface to Pentair automation systems and gain pool access from practically anywhere at anytime using your Android® and iOS® device, Web browsers on Mac® and PC computers.

CALIFORNIA PROPOSITION 65 WARNING
 ⚠️ **WARNING:** Cancer and Reproductive Harm.
 ⚠️ **AVERTISSEMENT:** Peut Causer le Cancer et des Dommages au Système Reproducteur.
 ⚠️ **ADVERTENCIA:** Cáncer y Daño Reproductivo.
www.p65warnings.ca.gov PH 201714



For more information on Pentair Automation systems visit www.pentair.com

Android® is a registered trademark of Google, Inc. iOS® is a registered trademark of Apple, Inc. in the United States and/or other countries. Mac® is a registered trademark of Apple, Inc. in the United States and/or other countries. Amazon Echo® is a registered trademark of Amazon Technologies, Inc. in the United States and/or other countries.

EASYTOUCH® CONTROL SYSTEMS

POOL/SPA CONTROL SYSTEMS

TRADEGRADE



EasyTouch System



521885 - iS4 Remote Control



520547 - EasyTouch wireless for 8 circuit systems

CALIFORNIA PROPOSITION 65 WARNING
 ⚠️ **WARNING:** Cancer and Reproductive Harm.
 ⚠️ **AVERTISSEMENT:** Peut Causer le Cancer et des Dommages au Système Reproducteur.
 ⚠️ **ADVERTENCIA:** Cáncer y Daño Reproductivo.
www.p65warnings.ca.gov PH 200714

Featured Highlights

The EasyTouch Control System family offers control for homeowner's looking for an easy to use pool/spa control system. EasyTouch allows full control of all pool/spa features including advanced features such as colored lighting and IntelliChlor® Salt Chlorine Generator support. Every EasyTouch system includes an easy to use control panel that is built into the outdoor enclosure. This control panel allows for full system setup, programmability, and everyday operation. In addition, there are several other available remote interface choices. The EasyTouch systems come in a variety of configurations: Pool only or Spa only, Pool/Spa with shared equipment, and also integrated with Pentair IntelliChlor Salt Chlorine Generator.

EASYTOUCH® PL4/PSL4 CONTROL SYSTEMS

POOL/SPA CONTROL SYSTEMS

TRADEGRADE



EasyTouch PL4/PSL4 System



522464 - EasyTouch PS4/PSL4 wireless for 4 circuit systems



521885 - iS4 Remote Control

Featured Highlights

The EasyTouch PL4/PSL4 Control Systems offers a new level of control for homeowner's looking for an affordable, easy to use pool/spa control system. EasyTouch PL4/PSL4 allows control pools with a smaller number of features including pumps, filters, lighting, water features, spa control, heaters and heat pumps, chemical control and sanitizing. The EasyTouch PL4 control system is a 4-circuit system, designed for a single body of water. The EasyTouch PLS4 is designed to control a pool/spa combination. Both options are available bundled with our ScreenLogic Interface Kit that allows for remote operation on a computer, smartphone, mobile digital device or right at the Power Center on the equipment pad. For more advanced features and up to 8 feature circuits, please see previous page for the EasyTouch Control System options.

GFCI CIRCUIT BREAKERS

Featured Highlights

- Personnel Protection GFCI
- Meets 2008 to current NEC Standards for Pool Pumps
- Compatible with IntelliTouch® and EasyTouch® Control System
- Designed to protect personnel exposed to ground faults in AC, DC, and mixed AC/DC systems where levels exceed 6 milliamps



GFCI Circuit Breakers

Ordering Information

Product	Description	Carton Qty.	Carton Wt (Lbs.)
GFCI CIRCUIT BREAKERS			
PA215GF	2-pole 15 amp GFCI	10	11.50
PA220GF	2-pole 20 amp GFCI	10	11.50

CALIFORNIA PROPOSITION 65 WARNING

⚠ **WARNING:** Cancer and Reproductive Harm.
 ⚠ **AVERTISSEMENT:** Peut Causer le Cancer et des Dommages au Système Reproducteur.
 ⚠ **ADVERTENCIA:** Cáncer y Daño Reproductivo.
www.p65warnings.ca.gov





 **PENTAIR**

FILTERS



STARK™ SS SERIES FILTERS

HORIZONTAL SAND FILTRATION SYSTEMS



Featured Highlights

- All vessel models are NSF 50 listed
- End-manways provide easy access for service and maintenance
- Schedule 80 Face Piping is fully assembled in our factory for ease of installation
- Stark valves and several control options make backwashing simple
- Unparalleled tank construction and exterior all-weather coating

The Stark SS Series Filter Systems are designed with ease of installation, maintenance and minimal floor space in mind. Vessels are side-by-side, with manway access on the ends and all piping above the vessel(s). All piping ships fully solvent-welded and pre-assembled to ensure fit. 100 psi vessel pressure rating.

CALIFORNIA PROPOSITION 65 WARNING

⚠️ **WARNING:** Cancer and Reproductive Harm.
 ⚠️ **AVERTISSEMENT:** Peut Causer le Cancer et des Dommages au Système Reproducteur.
 ⚠️ **ADVERTENCIA:** Cáncer y Daño Reproductivo.

www.p65warnings.ca.gov PK2017A

Ordering Information

CAPACITY INFORMATION												
# Tanks	*System Number	Tank Size	Filtration Area (Sq. Ft.)	Flow (GPM) 12 gpm/sf	Flow (GPM) 15 gpm/sf	Backwash Valve Size/Type	'W'	'L'	'Hs'	Total Media (cu ft)	Operating Weight (lbs.)	Shipping Weight (lbs.)
1	RS1-60-04	36" x 60"	13.5	162	203	4"	38"	63"	68"	15.5	4,600	845
	RS1-72-04	36" x 72"	17.2	206	258	4"	38"	75"	68"	19.0	5,500	915
	SS1-48-04	42" x 48"	12.8	154	192	4"	44"	51"	74"	16.5	4,900	805
	SS1-72-06	42" x 72"	20.0	240	300	6"	44"	75"	86"	26.0	7,500	1,105
	SS1-96-06	42" x 96"	27.0	324	405	6"	44"	99"	86"	36.0	9,800	1,240
2	RS2-60-06	36" x 60"	27.0	324	405	4"	77"	63"	70"	31.0	9,400	1,650
	RS2-72-06	36" x 72"	34.4	413	516	4"	77"	75"	70"	38.0	11,000	1,830
	SS2-48-06	42" x 48"	25.6	307	384	4"	90"	51"	76"	33.0	10,000	1,650
	SS2-72-06	42" x 72"	40.0	480	600	6"	90"	75"	87"	52.0	14,800	2,060
	SS2-96-06	42" x 96"	54.0	648	810	6"	90"	99"	87"	72.0	19,400	2,380
3	RS3-60-06	36" x 60"	40.5	486	608	4"	116"	63"	70"	46.5	14,200	2,420
	RS3-72-06	36" x 72"	51.6	619	774	4"	116"	75"	70"	57.0	16,800	2,670
	SS3-48-06	42" x 48"	38.4	468	576	4"	136"	51"	76"	49.5	14,900	2,420
	SS3-72-08	42" x 72"	60.0	720	900	6"	136"	75"	88"	78.0	22,400	3,140
	SS3-96-08	42" x 96"	81.0	972	1215	6"	136"	99"	88"	108.0	29,400	3,620
4	RS4-60-06	36" x 60"	54.0	648	810	4"	155"	63"	70"	62.0	18,900	3,200
	RS4-72-08	36" x 72"	68.8	826	1032	4"	155"	75"	76"	76.0	22,300	3,560
	SS4-48-06	42" x 48"	51.2	614	768	4"	182"	51"	76"	66.0	19,900	3,200
	SS4-72-08	42" x 72"	80.0	960	1200	6"	182"	75"	88"	104.0	30,200	4,470
	SS4-96-10	42" x 96"	108.0	1296	1620	6"	182"	99"	88"	144.0	39,900	5,145
5	SS5-72-10	42" x 72"	100.0	1200	1500	6"	229"	75"	88"	130.0	38,400	5,650
	SS5-96-10	42" x 96"	135.0	1620	2025	6"	229"	99"	88"	180.0	49,900	6,450
6	SS6-72-10	42" x 72"	120.0	1440	1800	6"	275"	75"	88"	156.0	46,000	6,800
	SS6-96-12	42" x 96"	162.0	1944	2430	6"	275"	99"	97"	216.0	60,800	7,900

STARK™ SS SERIES FILTERS (CONT'D)

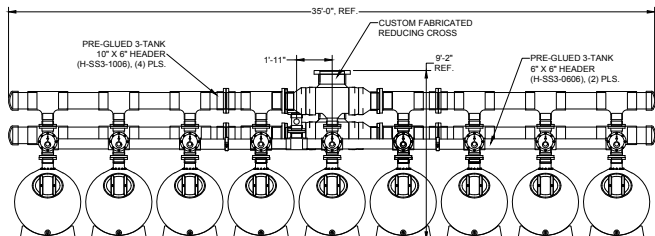
HORIZONTAL SAND FILTRATION SYSTEMS

Dimensions and Performance



Shell & Winding: Robust Dual-Wall Construction for piece of mind and long service life. Entire vessel including domes is wound on a computer-controlled, multi-axis machine.

Custom Systems Available for your Application.



SS Series Systems Include:

- Manway viewport standard on all Stark tanks
- Stark backwash valves (1 per tank)
- Pre-glued piping utilizing grooved couplings
- Stark diaphragm-style priority valve (on dual-tank systems)

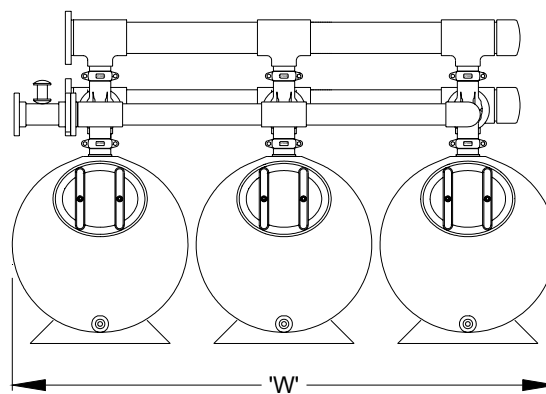
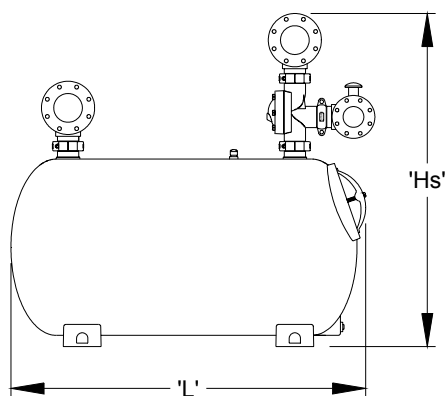
With Fully Automatic (CA100) Control Option

- Effluent Flow Sensor/Saddle
- Temperature Probe

Additional Adders

- Pressure Booster System (PBS01)
- Manual or Motorized Butterfly backwash
- Throttling valve for 3+ tank systems
- Advanced backwash controls

Certified to NSF/ANSI Standard 50



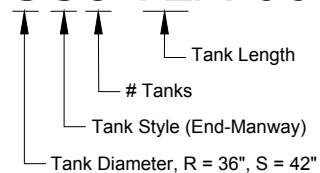
SS Series System Numbering

36" and 42" Dia. Vessels

Influent / Effluent Connection Size

Backwash Control: A = Auto (CA100),
M = Manual (CM200), S = Semi (CS400)

SS3-72A-06



Notes:

1. Standard header sizing shown is based on 10 fps max. at 15 gpm per sq. ft.
2. For more dimensional detail, consult the appropriate Cut Sheet in our Design Manual.
3. For special requirements including non-standard header sizes / locations and systems consisting of more vessels than shown, please contact our Applications Engineering at PoolApplicationRFQ@pentair.com.

CALIFORNIA PROPOSITION 65 WARNING

⚠ **WARNING:** Cancer and Reproductive Harm.
 ⚠ **AVERTISSEMENT:** Peut Causer le Cancer et des Dommages au Système Reproducteur.
 ⚠ **ADVERTENCIA:** Cáncer y Daño Reproductivo.
www.p65warnings.ca.gov

STARK™ S SERIES FILTERS

HORIZONTAL SAND FILTRATION SYSTEMS



SB2-144M-08ST



SA2-144M-08

Featured Highlights

- All vessel models are NSF listed
- Solid composite construction - does not employ a bladder
- Vessels can be stacked to minimize footprint. Designed for Seismic Zone 4 loading with additional supports or braces
- Vessels feature proprietary PARACOTE® All-Weather Exterior Coating with UV Inhibitors
- Several backwash control options available
- Multiple influent and effluent pipe locations available - A, B and C style

S Series Systems include: Manway with Viewport standard on all Stark Tanks; Stark backwash valves (1 per tanks); Stark diaphragm-style priority valve (on dual-tank systems).

Additional Adders: Pressure Booster System (PBS01); Manual or Motorized Butterfly Backwash; Throttling Valve for 3+ tank systems; Advanced backwash controls.

For use in commercial pool, water park, and many aquarium applications. Standard systems accommodate flows from 135 to 2,500 GPM - custom systems accommodate unlimited flows.

All Stark S Series vessels are corrosion-proof, composite vessels. Systems are available with 100 psi rated filament-wound vessels. All vessels are 42" diameter to offer the best combination of cost and effectiveness for recreational water. Stark Diaphragm Valves and Controls are Standard; butterfly-valve options (including linked valves) are also available.

CALIFORNIA PROPOSITION 65 WARNING

⚠ **WARNING:** Cancer and Reproductive Harm.
 ⚠ **AVERTISSEMENT:** Peut Causer le Cancer et des Dommages au Système Reproducteur.
 ⚠ **ADVERTENCIA:** Cáncer y Daño Reproductivo.
www.p65warnings.ca.gov PN 200714

Ordering Information

CAPACITY INFORMATION (INDEPENDENT OF STYLE / CONFIGURATION)										DIMENSIONS - SIDE-BY-SIDE			
# Tanks	General System Number	Tank Size	Filtration Area (Sq. Ft.)	Flow (GPM) 12 gpm/sf	Flow (GPM) 15 gpm/sf	Backwash Valve Size/Type	Total Media (cu ft)	Operating Weight (lbs.)	Shipping Weight (lbs.)	Descriptive System Number	Single-Tank and Side-by-Side Systems		
											'W'	'L'	'Hs'
1	S1-48	42" x 48"	12.8	154	192	4"	16.5	5,280	870	*SC1-48-04	44"	82"	47"
	S1-72	42" x 72"	20.0	240	300	6"	26.0	7,920	1,110	*SA1-72-06	44"	107"	67"
	S1-96	42" x 96"	27.0	324	405	6"	36.0	10,560	1,350	*SA1-96-06	44"	122"	67"
	S1-120	42" x 120"	35.0	420	525	6"	45.5	13,200	1,590	SA1-120-06	44"	146"	67"
	S1-144	42" x 144"	41.0	492	615	6"	55.5	15,840	1,830	SA1-144-06	44"	170"	67"
2	S2-48	42" x 48"	25.6	307	384	4"	33.0	10,560	1,740	*SC2-48-06	96"	80"	56"
	S2-72	42" x 72"	40.0	480	600	6"	52.0	15,840	2,220	*SA2-72-06	99"	92"	86"
	S2-96	42" x 96"	54.0	648	810	6"	72.0	21,120	2,700	*SA2-96-06	99"	116"	86"
	S2-120	42" x 120"	70.0	840	1050	6"	91.0	26,400	3,180	SA2-120-08	110"	144"	91"
	S2-144	42" x 144"	82.0	984	1230	6"	111.0	31,680	3,660	SA2-144-08	110"	168"	91"
3	S3-48	42" x 48"	38.4	461	576	4"	49.5	15,840	2,610	*SC3-48-06	152"	80"	56"
	S3-72	42" x 72"	60.0	720	900	6"	78.0	23,760	3,330	*SA3-72-08	152"	94"	91"
	S3-96	42" x 96"	81.0	984	1215	6"	108.0	31,680	4,050	*SA3-96-08	152"	117"	91"
	S3-120	42" x 120"	105.0	1260	1575	6"	136.5	39,600	4,770	SA3-120-10	152"	138"	96"
	S3-144	42" x 144"	123.0	1476	1845	6"	166.5	47,520	5,490	SA3-144-10	152"	162"	96"
4	S4-48	42" x 48"	51.2	614	768	4"	66.0	21,120	3,480	*SC4-48-06	200"	80"	56"
	S4-72	42" x 72"	80.0	960	1200	6"	104.0	31,680	4,440	*SA4-72-08	200"	94"	91"
	S4-96	42" x 96"	108.0	1296	1620	6"	144.0	42,240	5,400	*SA4-96-10	200"	118"	96"
	S4-120	42" x 120"	140.0	1680	2100	6"	182.0	52,800	6,360	SA4-120-10	200"	142"	96"
	S4-144	42" x 144"	164.0	1968	2460	6"	222.0	63,360	7,320	SA4-144-12	200"	168"	100"

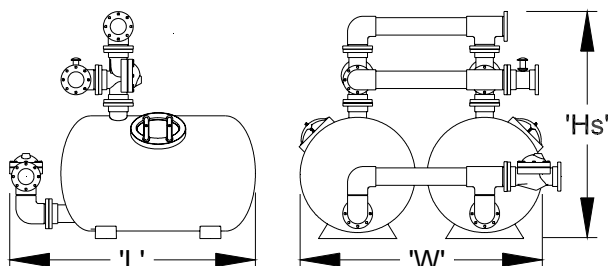
STARK™ S SERIES FILTERS (CONT'D)

HORIZONTAL SAND FILTRATION SYSTEMS

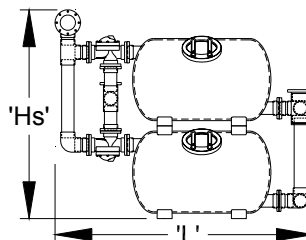
Dimensions and Performance

Certified to
NSF/ANSI Standard 50

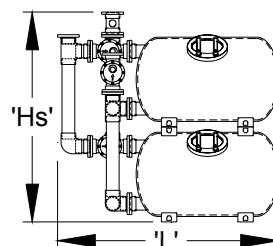
DIMENSIONS - STACKED SYSTEMS							
Style	# Tanks	Descriptive System Number	Filtration Area (Sq. Ft.)	'W'	'L'	'Hs'	
Stacked Systems - B-Style	2	SB2-48-06ST	25.6	44"	98"	107"	
		SB2-72-06ST	40.0	44"	135"	109"	
		SB2-96-06ST	54.0	44"	159"	109"	
		SB2-120-08ST	70.0	44"	191"	109"	
		SB2-144-08ST	82.0	44"	215"	109"	
Stacked Systems - B-Style	4	SB4-48-06ST	51.2	92"	99"	108"	
		SB4-72-08ST	80.0	92"	140"	111"	
		SB4-96-10ST	108.0	100"	166"	119"	
		SB4-120-10ST	140.0	100"	190"	119"	
		SB4-144-12ST	164.0	104"	217"	122"	
Stacked Systems - C-Style	2	SC2-48-06ST	25.6	50"	80"	107"	
		SC2-72-06ST	40.0	50"	114"	109"	
		SC2-96-06ST	54.0	50"	138"	109"	
		SC2-120-08ST	70.0	53"	165"	109"	
		SC2-144-08ST	82.0	53"	189"	109"	
	Stacked Systems - C-Style	4	SC4-48-06ST	51.2	92"	88"	108"
			SC4-72-08ST	80.0	92"	122"	111"
			SC4-96-10ST	108.0	100"	146"	119"
			SC4-120-10ST	140.0	100"	169"	119"
			SC4-144-12ST	164.0	104"	193"	122"



A-Style Side-by-Side

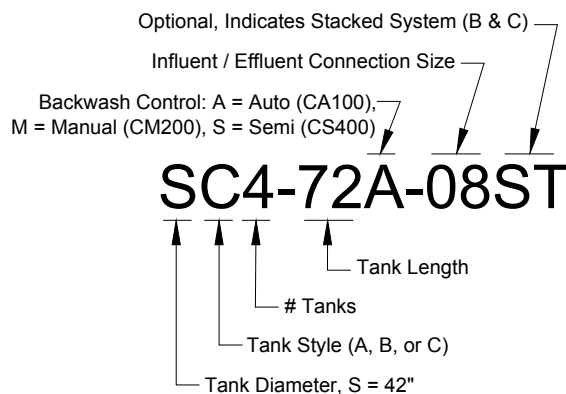


B-Style Stacked



C-Style Stacked

S Series System Numbering



Notes:

- Standard header sizing shown is based on 10 fps max. at 15 gpm per sq. ft.
- For more dimensional detail, consult the appropriate Cut Sheet in our Design Manual.
- S-48 Vessels are not available in A Style. Dimensions above represent C Style.
- For special requirements including non-standard header sizes / locations and systems consisting of more vessels than shown, please contact our Applications Engineering at PoolApplicationRFQ@pentair.com.

CALIFORNIA PROPOSITION 65 WARNING

⚠️ WARNING: Cancer and Reproductive Harm.
 ⚠️ AVERTISSEMENT: Peut Causer le Cancer et des Dommages au Système Reproducteur.
 ⚠️ ADVERTENCIA: Cáncer y Daño Reproductivo.

www.p65warnings.ca.gov. PH.001714

STARK™ 5S SERIES FILTERS

HORIZONTAL SAND FILTRATION SYSTEMS



5S4-50-12
60" Dia. System

Featured Highlights

- All vessel models are NSF listed
- Manway cover has integral viewport for internal filter observation
- Solid composite construction - does not employ a bladder
- Schedule 80 Face Piping is fully assembled
- Vessels feature proprietary PARACOTE® All-Weather Exterior Coasting with UV Inhibitors
- Influent manifold distribution to help prevent clogging
- Several backwash control options available
- Butterfly-valve options including linked tandem valves are also available.

The 5S Series Filter Systems are designed as an extension to the industry-leading SS Series Filtration Systems, with many of the same features including fully-assembled Schedule 80 Face Piping, with limited in field gluing. The 5S Series Filter Systems include the only 8" backwash valve in the industry, and air valve actuation for a smooth and quick valve movement.

CALIFORNIA PROPOSITION 65 WARNING

⚠️ **WARNING:** Cancer and Reproductive Harm.
 ⚠️ **AVERTISSEMENT:** Peut Causer le Cancer et des Dommages au Système Reproducteur.
 ⚠️ **ADVERTENCIA:** Cáncer y Daño Reproductivo.
www.p65warnings.ca.gov PN 201714

Ordering Information

CAPACITY INFORMATION												
# Tanks	*System	Internal Tank	Filtration Area	Flow (GPM)	Flow (GPM)	Backwash Valve				Total Media	Operating Weight	Shipping Weight
	Number	Size	(Sq. Ft.)	12 gpm/sf	15 gpm/sf	Size/Type	'W'	'L'	'Hs'	(cu ft)	(lbs.)	(lbs.)
1	5S1-30-06	60" X 78"	30.0	360	450	6"	62"	83"	106"	63.5	15,000	2,000
	5S1-35-06	60" X 90"	35.0	420	525	6"	62"	95"	106"	74.3	17,000	2,300
	5S1-40-06	60" X 102"	40.0	480	600	6"	62"	107"	106"	85.4	20,000	2,600
	5S1-45-08	60" X 114"	45.0	540	675	8"	62"	119"	123"	96.4	23,000	2,900
	5S1-50-08	60" X 126"	50.0	600	750	8"	62"	131"	123"	107.4	25,000	3,200
2	5S2-30-08	60" X 78"	60.0	720	900	6"	128"	83"	111"	127.0	30,000	4,100
	5S2-35-08	60" X 90"	70.0	840	1,050	6"	128"	95"	111"	148.6	35,000	4,600
	5S2-40-08	60" X 102"	80.0	960	1,200	6"	128"	107"	111"	170.8	40,000	5,200
	5S2-45-08	60" X 114"	90.0	1,080	1,350	8"	128"	119"	127"	192.8	45,000	5,700
	5S2-50-10	60" X 126"	100.0	1,200	1,500	8"	128"	131"	133"	214.8	49,000	6,300
3	5S3-30-08	60" X 78"	90.0	1,080	1,350	6"	194"	83"	111"	190.5	45,000	6,100
	5S3-35-10	60" X 90"	105.0	1,260	1,575	6"	194"	95"	117"	222.9	53,000	6,900
	5S3-40-10	60" X 102"	120.0	1,200	1,800	6"	194"	107"	117"	256.2	60,000	7,800
	5S3-45-10	60" X 114"	135.0	1,620	2,025	8"	194"	119"	133"	289.2	68,000	8,600
	5S3-50-12	60" X 126"	150.0	1,800	2,250	8"	194"	131"	135"	322.2	75,000	9,500
4	5S4-30-10	60" X 78"	120.0	1,440	1,800	6"	260"	83"	117"	254.0	61,000	8,100
	5S4-35-10	60" X 90"	140.0	1,680	2,100	6"	260"	95"	117"	297.2	70,000	9,200
	5S4-40-12	60" X 102"	160.0	1,920	2,400	6"	260"	107"	119"	341.6	80,000	10,400
	5S4-45-12	60" X 114"	180.0	2,160	2,700	8"	260"	119"	135"	385.6	92,000	11,500
	5S4-50-12	60" X 126"	200.0	2,400	3,000	8"	260"	131"	135"	429.6	100,000	12,600

STARK™ 5S SERIES FILTERS (CONT'D)

HORIZONTAL SAND FILTRATION SYSTEMS

Dimensions and Performance



5S Series Systems Include:

- Manway viewport standard on all Stark tanks
- Stark backwash valves (1 per tank)
- Pre-glued piping utilizing grooved couplings
- Stark diaphragm-style priority valve (on dual-tank systems)

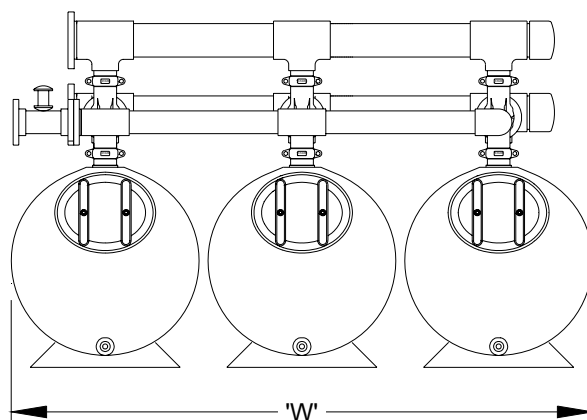
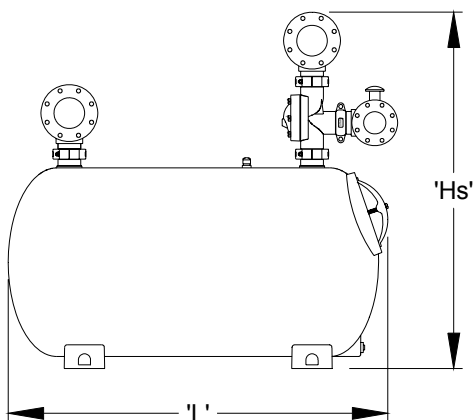
With Fully Automatic (CA100) Control Option

- Effluent Flow Sensor/Saddle
- Temperature Probe

Additional Adders

- Pressure Booster System (PBS01)
- Manual or Motorized Butterfly backwash
- Throttling valve for 3+ tank systems
- Advanced backwash controls

**Certified to
NSF/ANSI Standard 50**



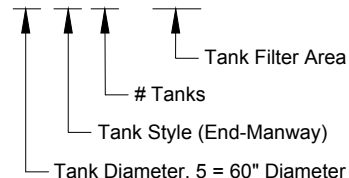
5S Series System Numbering

60" Dia. Vessels

Influent / Effluent Connection Size

Backwash Control: A = Auto (CA100),
M = Manual (CM200), S = Semi (CS400)

5S3-50A-10



Notes:

1. Standard header sizing shown is based on 10 fps max. at 15 gpm per sq. ft.
2. For more dimensional detail, consult the appropriate Cut Sheet in our Design Manual.
3. For special requirements including non-standard header sizes / locations and systems consisting of more vessels than shown, please contact our Applications Engineering at PoolApplicationRFQ@pentair.com.

CALIFORNIA PROPOSITION 65 WARNING

⚠ **WARNING:** Cancer and Reproductive Harm.
 ⚠ **AVERTISSEMENT:** Peut Causer le Cancer et des Dommages au Système Reproducteur.
 ⚠ **ADVERTENCIA:** Cáncer y Daño Reproductivo.
www.p65warnings.ca.gov

STARK™ FILTERS

BACKWASH OPTIONS AND ADDITIONAL FEATURES



Multiport Gauge Panel

CM200 Manual Backwash Controller (Backwash Option "M")

This is the simplest option. No electronics or programming required; simply turn the knob to backwash each tank in the system.



CS 400 Semi-Auto Backwash Controller (Backwash Option "S")

This controller is programmable and controls every aspect of the backwash cycle once initiated. Backwash can be initiated three ways: by an operator with the touch of a button, by a signal from a master controller (such as the AK600), or by a signal from an optional differential pressure switch (CS400-DP). Stored backwash data and history, alarms, and calculated backwash cycle times are also features of the CS400 controller, as are relays for communication with the heater, pump and Acu Drive.



CA 100 Automatic Backwash Controller (Backwash Option "A")

This is the most comprehensive backwash controller and can be readily reprogrammed to initiate backwash automatically based on differential pressure (integral pressure transducers are standard), time (internal seven-day clock with battery back-up is standard), flow (with optional flow sensor), or any combination of the above. The controller has real-time display of operation mode, filter flow rate, and water temperature (with optional temperature probe). Also, includes Energy Saver Mode for simple On/Off pump scheduling and various interlocks and relays to communicate with other equipment (pump, heater, Acu Drive).



2" Threaded Laterals

Superior Commercial Lateral:

2" NPT injection molded ABS with "V" groove slots and reinforcing ribs for best performance and service life. Also used on THS Series Filters.

Manway Viewport

Standard on all Stark Filters.



Butterfly Valve Systems

Single Lever Linkage (Backwash Option "SL": Single-Tank Systems Only - tank is backwashed by the throw of a single lever); and Tandem Butterfly Valve Configurations (Backwash Option TM; Multiple Tank Systems - each Stark backwash valve is replaced by a linked pair of butterfly valves.

Optional Pressure Booster System (PBS01)

Provides consistent valve-actuation where city water pressure is unreliable.



CALIFORNIA PROPOSITION 65 WARNING

⚠ **WARNING:** Cancer and Reproductive Harm.
 ⚠ **AVERTISSEMENT:** Peut Causer le Cancer et des Dommages au Système Reproducteur.
 ⚠ **ADVERTENCIA:** Cáncer y Daño Reproductivo.
www.p65warnings.ca.gov

STARK™ AQ SERIES™ FILTERS

LARGE DIAMETER SYSTEMS & VESSELS

Stark AQ Series Filters

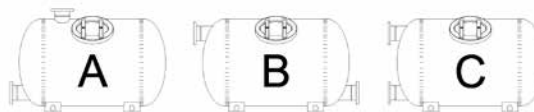
48" and 60" Diameter Stackable Horizontal Filters are available as complete filtration systems. The Stark AQ Series Filters are ideal for high-load or large flows of water such as water parks and public aquariums. NSF-50 Listed. 75 psi pressure rating.

Vessel Model Number	Available Styles*	Filtration Area (sq ft)	Internal Diameter (feet)	Internal Length (feet)	Standard Flange Size (ANSI)
AQ SERIES VESSEL SIZING AND CAPACITY INFORMATION					
4X6	A, B, C	22	4.0	6.0	6"
4X8	A, B, C	30	4.0	8.0	6"
4X10	A, B, C	38	4.0	10.0	6"
4X12	A, B, C	46	4.0	12.0	8"
4X14	A, B, C	54	4.0	14.0	8"
5X8	A, B, C	37	5.0	8.0	8"
5X10	A, B, C	47	5.0	10.0	8"
5X12	A, B, C	57	5.0	12.0	8"
5X14	A, B, C	67	5.0	14.0	8"
5X16	A, B, C	77	5.0	16.0	8"



Certified to NSF/ANSI Standard 50

Stark AQ Series Sand Filter



*Styles B and C are stackable. All are available with the manway on the other side (reverse manway).

STARK™ V SERIES™ FILTERS

HIGH LOAD VERTICAL FILTERS

Stark V Series Filters

Deep-Bed Filters provide "plug-flow" for extreme load applications such as sea-water intake, mammal and marine mammal exhibits. They are also frequently used as carbon (GAC) filters.

Vessel Model Number	Style	Filtration Area (sq ft)	Internal Diameter (feet)	Internal Height (feet)	Standard Flange Size (ANSI)
V SERIES VESSEL SIZING AND CAPACITY INFORMATION					
V3672	Vertical	7.1	3.0	6.0	3"
V4272	Vertical	9.6	3.5	6.0	3"
V4872	Vertical	12.6	4.0	6.0	4"
V6072	Vertical	19.6	5.0	6.0	6"
V72	Vertical	28.3	6.0	8.8	6"
V96	Vertical	50.3	8.0	9.5	6"



Stark V Series Sand Filter

Optional Integral Insulation

Any Stark Filter can be manufactured with integral insulation between the shell and winding layers to last as long as the vessel. Used for both cold water and warm water life support applications when filters are installed where a high differential exists between water and ambient air temperature. For sizing assistance on AQ and V Series filters, contact us at PoolApplicationRFQ@pentair.com



Insulated Vessel at Start of Winding

CALIFORNIA PROPOSITION 65 WARNING
 ⚠️ WARNING: Cancer and Reproductive Harm.
 ⚠️ AVERTISSEMENT: Peut Causer le Cancer et des Dommages au Système Reproducteur.
 ⚠️ ADVERTENCIA: Cáncer y Daño Reproductivo.
www.p65warnings.ca.gov

Certified to NSF/ANSI Standard 50

THS SERIES® HORIZONTAL SAND FILTER



THS Series Horizontal Sand Filter

Featured Highlights

- Five sizes to 27 sq. ft.
- Manway cover with viewport in front for easier access and smaller footprint
- 6 in. flanged connections, 4 in. victaulic on the THS Series 3461
- Optional manual, semi-automatic, and automatic backwash systems for one and two tank systems
- Two backwash controllers to choose from
- Influent manifold distribution to help prevent clogging
- NSF approved from 5–20 gpm/sq. ft.

The THS Series Filter is an NSF-approved 50 psi rated tank with flow rates up to 535 gallons per minute. The filter shell is manufactured from a lasting composite laminate design that makes winding unnecessary. Paracote®, a waterbased, coating, provides remarkable surface protection.

Ordering Information

Product	Model	Description	Effective Filtration Area (Sq. Ft.)	Flow Rate (15 GPM/ Sq. Ft.)	6 Hour Turnover Capacity (In Gallons)	Filter Media			
						Pea Gravel Required (Lbs.)	Sand Required (Lbs.)	All Sand Required (Lbs.)	Carton Wt. (Lbs.)
THS SERIES HORIZONTAL FILTER									
143461	THS3461	THS 34 in. x 61 in.	13.5	203	73,080	300	1250	1550	550
143484	THS3484	THS 34 in. x 84 in.	19.0	285	102,600	600	1350	1950	610
144272	THS4272	THS 42 in. x 72 in.	19.7	295	106,200	500	2100	2600	650
144284	THS4284	THS 42 in. x 84 in.	23.2	348	125,280	600	2400	3000	725
144296	THS4296	THS 42 in. x 96 in.	26.7	400	144,000	700	2800	3500	800
CONTROLLERS (MUST USE WITH DIAPHRAGM VALVES MANIFOLD KITS)									
156400	Single THS manual controller 6 in. FP				156850	Single THS CA100 autbackwash controller			
156450	Dual THS manual controller 6 in. FP				CS400-01	CS400 backwash controller for single tank system			
156800	Dual THS CA100 autbackwash controller				CS400-02	CS400 backwash controller for dual tank system			



CM200 Manual Backwash Controller
This is the simplest option. No electronics or programming required. Simply turn the knob to backwash each tank in the system.



CS 400 Commercial Backwash Controller
This controller is programmable and controls every aspect of the backwash cycle once initiated. Backwash can be initiated three ways: by an operator with the touch of a button, by a signal from a master controller (such as the AK600), or by a signal from an optional differential pressure switch (CS400-DP). Stored backwash data and history, alarms, and calculated backwash cycle times are also features of the CS400 controller, as are relays for communication with the heater, pump and Acu Drive.



CA 100 Fully Automatic Backwash Controller
This is the most comprehensive backwash controller and can be readily reprogrammed to initiate backwash automatically based on differential pressure (integral pressure transducers are standard), time (internal seven-day clock with battery back-up is standard), flow (with optional flow sensor), or any combination of the above. The controller has real-time display of operation mode, filter flow rate, and water temperature (with optional temperature probe). Also, includes Energy Saver Mode for simple On/Off pump scheduling and various interlocks and relays to communicate with other equipment (pump, heater, Acu Drive).

THS SERIES® HORIZONTAL SAND FILTER (CONT'D)

MANIFOLD KITS ⁷

155700	THS single tank manifold kit with butterfly valves ³
155720	THS dual tank manifold kit with butterfly valves ³
155701	THS single tank 6 in. FP kit with diaphragm valves ⁶
155721	THS dual 34 x 84 in. 6 in. FP kit with diaphragm valves ⁶
155730	THS dual 42 in. dia. 6 in FP Kit with diaphragm valves ⁶

MANIFOLD KITS FOR THS 34 X 61 ONLY ⁷

155702	Kit-THS3461, single tank manifold, with butterfly valve kit ³
155722	Kit-THS3461, dual tank manifold, with butterfly valve kit ³
155703	Kit-THS3461, single tank manifold, with diaphragm valve kit ⁶
155723	Kit-THS3461, dual tank manifold, with diaphragm valve kit ⁶

ACCESSORIES

140325	Adder kit for third THS Filter ²
156100	Temperature probe kit ⁴
156150	Flowmeter saddle kit 6 in. ⁴
155800	WA-KIT wedge anchor kit ¹
155706	Manway with Viewport Retrofit Kit - replace existing in field
CS400DP	Mounted differential pressure switch ⁵
B4110	120v to 24v 100w transformer
B4221KIT	Gauge Panel Kit Influent/Effluent gauge

¹ One each per tank purchased if required.

² Adder Kit provides 6 in., SCH 80 manifold piping, fittings and hardware for the addition of a third THS Series filter of equal diameter only when #155720 Dual-Filter Butterfly Valve Face Piping Kit is used. Note: Using a 6 in. Schedule 80 plumbing kit with flows in excess of 812 GPM exceeds the maximum water velocity recommended in ANSI/NSPI-1 2003 Standard for Public Swimming Pools. For higher flows, summary calculations should be provided to show that the greater flow is possible with the pump and piping provided.

³ Does not require a purchase of a controller.

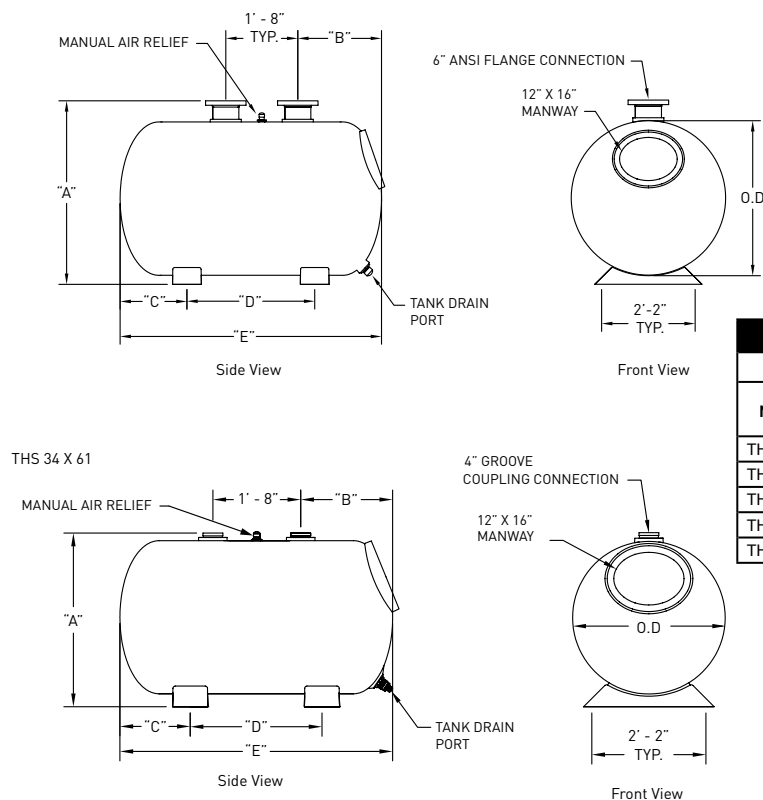
⁴ Only used with CA100 controller option.

⁵ Only available with CS400 controller.

⁶ Does require a purchase of a controller.

⁷ Does not include THS Tanks.

Dimensions and Performance



Certified to
NSF/ANSI Standard 50

THS SERIES SPECIFICATION CHART							
Model	Tank Dimensions						WT
	"A" in.	"B" in.	"C" in.	"D" in.	"E" in.	"O.D." in.	
THS3461	39-1/2	21	16	30	62	35	550
THS3484	45	21-1/4	24-5/8	35-1/4	85	35	610
THS4272	52-1/4	23-1/4	18-7/8	35-1/4	73	43	650
THS4284	52-1/4	23-1/4	24-7/8	35-1/4	85	43	725
THS4296	52-1/4	23-1/4	30-7/8	35-1/4	97	43	800

NSF/ANSI 50 approved for 5-20 gpm/sq.ft.

CALIFORNIA PROPOSITION 65 WARNING

⚠ **WARNING:** Cancer and Reproductive Harm.
 ⚠ **AVERTISSEMENT:** Peut Causer le Cancer et des Dommages au Système Reproducteur.
 ⚠ **ADVERTENCIA:** Cáncer y Daño Reproductivo.
www.p65warnings.ca.gov

* 4 in. victaulic on THS 3461 only

TRITON® C AND TRITON C-3

HIGH CAPACITY FIBERGLASS SIDE MOUNT SAND FILTER WITHOUT VALVES

TRADEGRADE



TR 140C-3

TR 100 C

This filter series features multiple diverters for increased filtration rates in commercial applications up to 20 GPM/sq. ft.

Featured Highlights

- Maximum Operating Pressure 50 psi
- Full 2 in. Drain
- 8 in. opening for easy access to sand bed
- The Triton C-3 features standard 3 in. flange connections
- TR 100C-3 & TR 140C-3 models are available in black only

CALIFORNIA PROPOSITION 65 WARNING

⚠ **WARNING:** Cancer and Reproductive Harm.
 ⚠ **AVERTISSEMENT:** Peut Causer le Cancer et des Dommages au Système Reproducteur.
 ⚠ **ADVERTENCIA:** Cáncer y Daño Reproductivo.
www.p65warnings.ca.gov

Ordering Information

Product	Model	Effective Filtration Area (Sq. Ft.)	Flow Rate	Turnover Capacity (In Gal.) ²			Filter Media		All Sand Req'd (Lbs.)	Ctn Qty.	Ctn Wt. (Lbs.)
				6 Hour	8 Hour	10 Hour	Pea Gravel Req'd (Lbs.)	Sand Req'd (Lbs.)			
TRITON C SAND FILTERS											
140315	TR 100C- Almond	4.91	98	35,280	47,040	58,800	150	450	600	1	70
140316	TR 140C- Almond	7.06	141	50,760	67,680	84,600	275	650	925	1	82
TRITON C-3 SAND FILTERS											
140310	TR 100C-3-Black only	4.91	98	35,280	47,040	58,800	150	450	600	1	65
140342	TR 140C-3-Black only	7.06	141	50,760	67,680	84,600	275	650	925	1	82
TRITON C VALVE OPTIONS ¹											
261050	2 in. HiFlow w/ plumbing, for sand filters									1	11
261055	2 in. MPV, for sand filters (SM 20-3)									1	10
263010	Full-Flow valve, sand filters (will only work on the TR100C and TR140C models)									1	7
263080	FullFloXF Valve for Sand, inlet port on top, Pentair 2 in. unions glued on XF Valve										
CLEAR PRO TECHNOLOGY LATERAL KITS											
159029	Clear Pro TR 100C Kit										
159031	Clear Pro TR 100C-3 Kit										
159030	Clear Pro TR 140C Kit										
159032	Clear Pro TR 140C-3 Kit										

¹ Valves must be purchased separately.

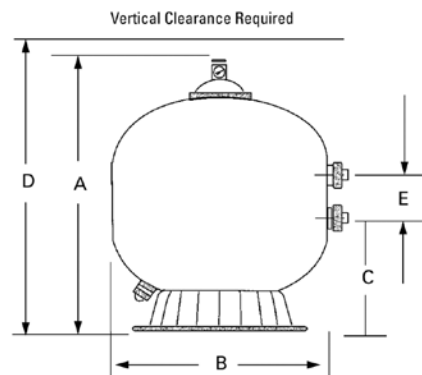
² Based on 20 gpm per sq. ft. Tanks are NSF/ANSI 50 approved for 5–20 gpm/sq.ft.

Dimensions and Performance

**Certified to
NSF/ANSI Standard 50**

DIMENSION TABLE

MODEL	A. DIM.	B DIM.	C DIM.	D DIM.	E DIM.
TR 100 C	39¾ in.	30½ in.	16½ in.	43¾ in.	7½ in.
TR 140 C	45¾ in.	36½ in.	18¾ in.	49¾ in.	7½ in.
TR 100 C-3	39¾ in.	30½ in.	16-1/16 in.	43¾ in.	7.72 in.
TR 140 C-3	45¾ in.	36½ in.	18½ in.	49¾ in.	7.72 in.



TRITON® HD SIDE MOUNT FILTERS

HEAVY-DUTY FIBERGLASS SAND FILTER WITHOUT VALVES

TRADEGRADE

Featured Highlights

Maximum Operating Pressure 75 psi

CALIFORNIA PROPOSITION 65 WARNING
 ⚠️ **WARNING:** Cancer and Reproductive Harm.
 ⚠️ **AVERTISSEMENT:** Peut Causer le Cancer et des Dommages au Système Reproducteur.
 ⚠️ **ADVERTENCIA:** Cáncer y Daño Reproductivo.
 www.p65warnings.ca.gov. PH202114



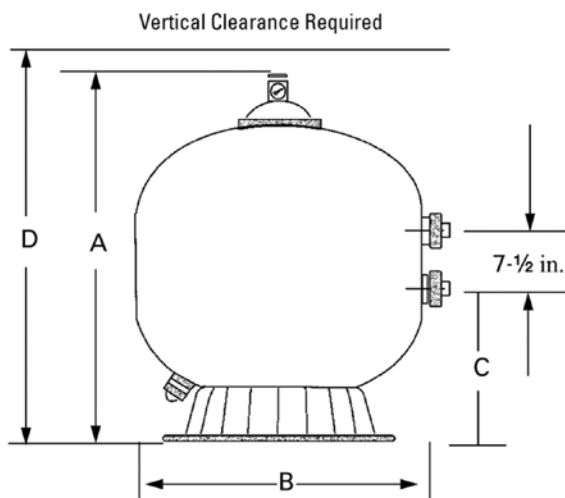
Triton HD Filter
(Unions not included)

All the same great performance and features of the original Triton filter with maximum operating pressure of 75 psi for those special high pressure installations such as single pump in-floor cleaning systems.

Ordering Information

Product	Model	Effective Filtration Area (Sq. Ft.)	Flow Rate (GPM Comm)	Turnover Capacity (In Gallons)			Filter Media		All Sand Req'd (Lbs.)	Carton Wt. (Lbs.)
				8 Hour	10 Hour	12 Hour	Pea Gravel Required (Lbs.)	Sand Required (Lbs.)		
TRITON HD SAND FILTER										
140335	TR100 HD	4.91	74	35,520	44,400	53,280	150	450	600	66
TRITON HD VALVE OPTIONS ¹										
263079	2 in. PVC slide valve w/o plumbing, for D.E. & sand filters									3
261049	2 in. HiFlow valve, no plumbing									7
261050	2 in. HiFlow valve w/ plumbing, for sand filters									11
261055	2 in. MPV for sand filters (SM 20-3)									10
261173	1-1/2 in. MPV, for sand filters (SM 10-3)									6
263064	Push Pull 7-1/2 in. Center Valve, Almond ABS									5
263080	FullFloXF Valve for Sand, inlet port on top, Pentair 2 in. unions glued on XF Valve									

¹ Valves must be purchased separately.



Dimensions and Performance

Certified to NSF/ANSI Standard 50

MODEL	A. DIM.	B DIM.	C DIM.	D DIM.
TR100 HD	39-3/4 in.	30-1/2 in.	16-3/4 in.	41-3/4 in.

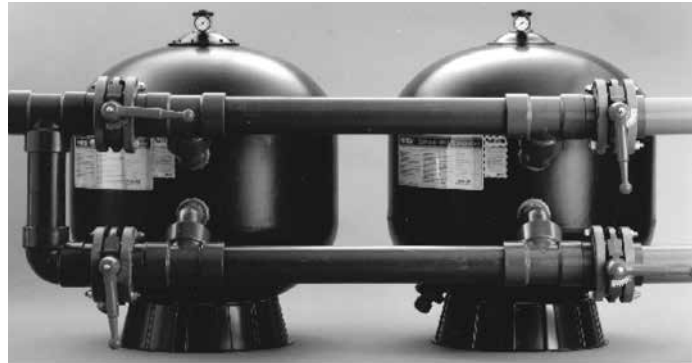
SCH 40 & 80 FOR TR100C, TR140C, TR100C-3 & TR140C-3

TANDEM FILTER PIPING KITS FOR 2 & 3 IN. FILTERS

These Tandem Filter Piping Kits are designed specifically for use with the Triton® TR100C, TR140C, Triton TR100C-3 and TR140C-3 Sand Filters to make the best even better.

We are providing this additional service for your convenient one-stop shopping. Pipe and filters are all you need.

Pipe is not included in kits.



Tandem Filter Piping Kits for Triton TR100C, TR140C, TR100C-3 and TR140C-3 Sand Filters

CALIFORNIA PROPOSITION 65 WARNING
 ⚠️ **WARNING:** Cancer and Reproductive Harm.
 ⚠️ **AVERTISSEMENT:** Peut Causer le Cancer et des Dommages au Système Reproducteur.
 ⚠️ **ADVERTENCIA:** Cáncer y Daño Reproductivo.
www.p65warnings.ca.gov PK201714

Ordering Information

Product	Model
For Plumbing Two TR100C or TR140C Filters	
146400	3 in. Two filter kit, SCH 40 (200 GPM)
146402	4 in. Two filter kit, SCH 40 (300 GPM)
146404	6 in. Two filter kit, SCH 40 (700 GPM)
146403	4 in. Two filter kit, SCH 80 (300 GPM)
146405	6 in. Two filter kit, SCH 80 (700 GPM)
For Plumbing Two TR100C-3 or TR140C-3 Filters	
147400	3 in. Two filter kit, SCH 40 (200 GPM)
147402	4 in. Two filter kit, SCH 40 (300 GPM)
147404	6 in. Two filter kit, SCH 40 (700 GPM)
147401	3 in. Two filter kit, SCH 80 (200 GPM)
147403	4 in. Two filter kit, SCH 80 (300 GPM)
147405	6 in. Two filter kit, SCH 80 (700 GPM)

Product	Model
Adder Kits for TR100C and TR140C Filters ¹	
146406	4 in. Single filter kit, SCH 40
146408	6 in. Single filter kit, SCH 40
146407	4 in. Single filter kit, SCH 80
146409	6 in. Single filter kit, SCH 80
Adder Kits for TR100C-3 and TR140C-3 Filters	
147406	4 in. Single filter kit, SCH 40
147408	6 in. Single filter kit, SCH 40
147407	4 in. Single filter kit, SCH 80
147409	6 in. Single filter kit, SCH 80

Note: All kits include hardware, fittings, gaskets.

Note: All kits include hardware, fittings, gaskets and butterfly valves.

Filters	Filter Area Sq. Ft.	Manifold Pipe Dia.	Filter Rate Sq. Ft.		Turnover Capacity		
			15 GPM	20 GPM	6 Hours	8 Hours	10 Hours
TANDEM TRITON 140C FILTER INSTALLATION							
6 TR 140's	42.36	6 in.	635	—	228,600	304,800	381,000
		8 in.	—	847	304,920	406,560	508,200
7 TR 140's	49.42	6 in.	741	—	266,760	355,680	444,600
		8 in.	—	988	355,680	474,240	592,800
8 TR 140's	56.48	8 in.	847	—	304,920	406,560	508,200
		8 in.	—	1130	406,800	542,400	678,000

SCH 40 & 80 FOR TR100C, TR140C, TR100C-3 & TR140C-3 (CONT'D)

TANDEM FILTER PIPING KITS FOR 2 & 3 IN. FILTERS

Filters	Filter Area Sq. Ft.	Manifold Pipe Dia.	Filter Rate Sq. Ft.		Turnover Capacity		
			15 GPM	20 GPM	6 Hours	8 Hours	10 Hours
TANDEM TRITON TR100C AND TR100C-3 FILTER INSTALLATION							
2 TR 100's	9.82	3 in.	147	—	52,920	70,560	88,200
		4 in.	—	196	70,560	94,080	117,600
3 TR 100's	14.73	4 in.	221	—	79,560	106,080	132,600
		4 in.	—	295	106,200	141,600	177,000
4 TR 100's	19.64	4 in.	295	—	106,200	141,600	177,000
		5 in.	—	393	141,480	188,640	235,800
5 TR 100's	24.55	5 in.	368	—	132,480	176,640	220,800
		5 in.	—	491	176,760	235,680	294,600
TANDEM TRITON TR140C AND TR140C-3 FILTER INSTALLATION							
2 TR 140's	14.12	4 in.	212	—	76,320	101,760	127,200
		4 in.	—	282	101,520	135,360	169,200
3 TR 140's	21.18	4 in.	318	—	114,480	152,640	190,800
		5 in.	—	424	152,640	203,520	254,400
4 TR 140's	28.24	5 in.	424	—	152,640	203,520	254,400
		6 in.	—	565	203,040	270,720	338,400
5 TR 140's	35.30	5 in.	530	—	190,800	254,400	318,000
		6 in.	—	706	254,160	338,880	423,600

Dimensions and Performance

Two Filter System	A	B	C	D	E	F	G	H	I	J	K	Total Wt.
3 in.—TR100C	82-3/8 in.	17-15/16 in.	48 in. min.	18 in. min.	39-3/4 in.	15 in.	29-33/64 in.	8-5/8 in.	11-1/32 in.	51-13/16 in.	—	2300 lbs.
3 in.—TR140C	88-3/8 in.	17-15/16 in.	54 in. min.	18 in. min.	45-1/4 in.	18 in.	32-33/64 in.	8-5/8 in.	13-15/32 in.	57-13/16 in.	—	3200 lbs.
4 in.—TR140C	95-3/4 in.	19-35/64 in.	54 in. min.	18 in. min.	45-1/2 in.	18 in.	33-1/8 in.	9-15/16 in.	12-21/32 in.	59-11/64 in.	—	2300 lbs.
6 in.—TR140C*	111-3/4 in.	24-7/32 in.	54 in. min.	18 in. min.	45-1/2 in.	18 in.	35-3/8 in.	12-13/16 in.	10-21/64 in.	64-13/32 in.	64-53/64 in.	3550 lbs.

* 6 in. piping needs to be rotated upward as shown at 25° so handle will clear the floor.

FIGURE 4A

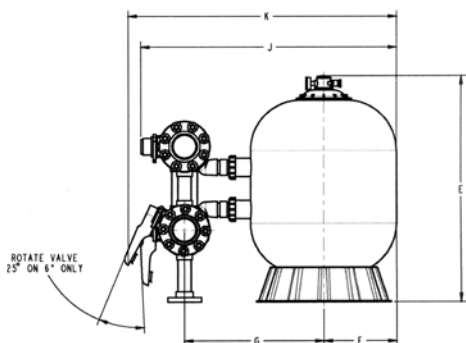
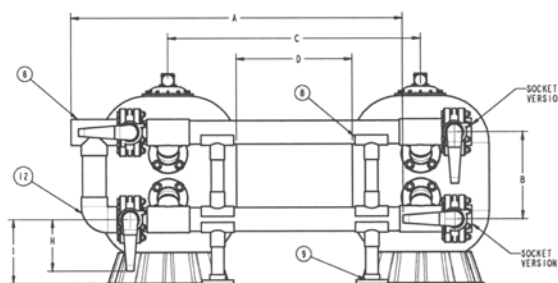


FIGURE 4B



SYSTEM:3® MODULAR MEDIA FILTERS

SM SERIES FILTERS



TRADEGRADE



System:3 Modular Media Filter
SM Series

Featured Highlights

- Typical Installation – Inground pools, inground hot tubs, and water features
- Quality Construction – Durable two-piece tank housing constructed of Dura-Glas™, Sta-Rite's industry leading glass reinforced composite resin
- Innovative Design – Balanced-flow tank hydraulics provide maximum dirt-loading and helps prevent clogging
- Low Maintenance – Complete media coverage combined with shallow pleats means greater dirt holding capabilities, resulting in longer filter cycles and less cleaning
- Quick Service – The shallow pleat design allows you to simply hose off the elements in a matter of minutes, making servicing a snap
- Dual Drain Plugs – Side plug available for plumbing to waste, while the bottom plug will drain entire filter

With the System : 3 Modular Media Filter, Sta-Rite brings you the product that makes Ultra-Capacity Filtration™ a reality. No longer simply “cartridges”, Sta-Rite’s modular media concept incorporates balanced flow, and an integral manifold design. This filtration concept aids in care-free operation within reach of today’s pool owners. Modular Filter Tanks allows for quick change of filter medias without changing the tank. Contemporary style and matte black finish looks attractive in any pool setting.

Ordering Information

Product	Effective Filter Area (Sq. Ft.)	Flow Rated ¹ GPM (Sq. Ft.)	Turnover Capacity (In Gallons) (Flow Rate x 60 x Hours)			Tank Port Size	Carton Wt. (Lbs.)
			6 Hour	8 Hour	10 Hour		
SYSTEM:3 MODULAR MEDIA FILTER - SM SERIES							
S7M120	300	50–100	18–36,000	24–48,000	30–60,000	2 in.	120
S7M400 ¹	400	50–115	18–41,000	24–55,000	30–69,000	2 in.	125
S8M150 ¹	450	50–124	18–45,000	24–60,000	30–74,000	2 in.	147
S8M500 ¹	500	50–130	18–46,000	24–62,400	30–78,000	2 in.	150

¹ Based on NSF rated flow range of .333 GPM per square foot for the S7M120.
.288 GPM per square foot for the S7M400, .275 GPM for the S8M150 and .26 GPM per square foot for the S8M500.

Note: No backwash valve required.

Note: Operating Limits – maximum continual operating pressure of 50 PSI. Pool/spa (bather) applications, maximum operating water temperature (internal filter) 104°F (40°C).

CALIFORNIA PROPOSITION 65 WARNING

▲ **WARNING:** Cancer and Reproductive Harm.
▲ **AVERTISSEMENT:** Peut Causer le Cancer et des Dommages au Système Reproducteur.
▲ **ADVERTENCIA:** Cáncer y Daño Reproductivo.

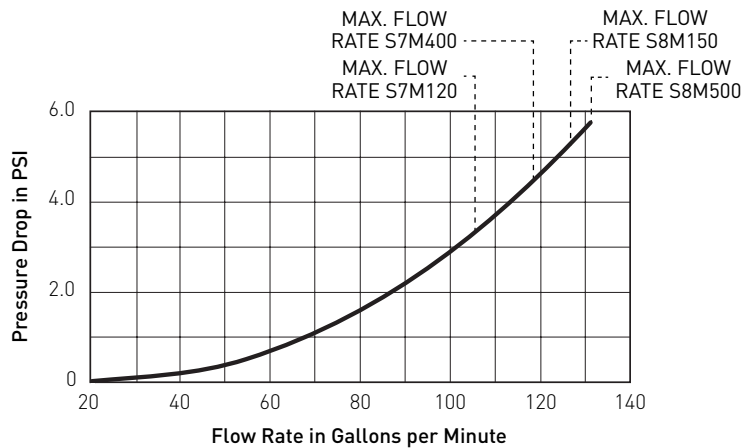
www.p65warnings.ca.gov. P65B0114

SYSTEM:3® MODULAR MEDIA FILTERS (CONT'D)

SM SERIES FILTERS

Ordering Information

Product	Description	Carton Wt. (Lbs.)
ACCESSORIES FOR SYSTEM:3 MODULAR MEDIA FILTER - SM SERIES		
PKG 188Z	Union x 2 in. Slip Adapter - Pkg. of 2	1
PKG 189	Union x 2 in. FPT Adapter - Pkg. of 2	1
77703-0100	Union x 1-1/2 in. FPT Adapter - Pkg. of 2	1
77703-0101	Union x 1-1/2 in. Slip Adapter - Pkg. of 2	1
25021-0200S	100 sq. ft. Inner Replacement Module for S7M120	9
25022-0201S	200 sq. ft. Outer Replacement Module for S7M120	21
25021-0223S	136 sq. ft. Inner Replacement Module for S7M400	11
25022-0224S	264 sq. ft. Outer Replacement Module for S7M400	24
25021-0202S	191 sq. ft. Inner Replacement Module for S8M150	18
25022-0203S	259 sq. ft. Outer Replacement Module for S8M150	27
25021-0224S	209 sq. ft. Inner Replacement Module for S8M500	19
25022-0225S	291 sq. ft. Outer Replacement Module for S8M500	28
25021-0021	Modular Media Conversion Kit - S7M120/S7M400 (Order Modules Separately)	4
25021-0025	Modular Media Conversion Kit - S8M150/S8M500 (Order Modules Separately)	5
170145	S7M120 Inner & Outer Replacement Cartridge Pack	35
170146	S7M400 Inner & Outer Replacement Cartridge Pack	35
170147	S8M150 Inner & Outer Replacement Cartridge Pack	50
170148	S8M500 Inner & Outer Replacement Cartridge Pack	50

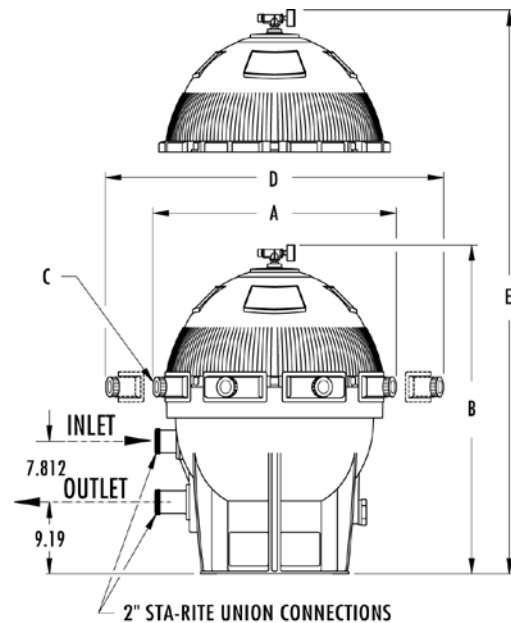


Catalog Number	DIMENSION				
	A	B	C	D	E
S7M120/S7M400	28-1/2	42	7	36	50
S8M150/S8M500	32-1/2	42-1/4	8	40	50

- A = width
 - B = height
 - C = number of clamps
 - D = area (width) needed to take off clamps
 - E = area (height) needed to remove top half of tank
- All dimensions shown in inches.

Dimensions and Performance

**Certified to
NSF/ANSI Standard 50**



CLEAN & CLEAR® PLUS FILTERS

FIBERGLASS REINFORCED POLYPROPYLENE TANK



- ### Featured Highlights
- Certified to NSF/ANSI Standard 50
 - Large filter area for increased dirt capacity
 - 1-1/2 in., 100% drain clean-out port
 - Continuous High Flow™ Internal Air Relief *
 - Base and plumbing kits available
 - Injection molded tank
 - Balanced hydraulic flow
 - Tension Control™ Clamp
 - 100% factory tested
 - Black bulkhead unions
 - High Flow manual air relief valve

Clean & Clear Plus Filters have a corrosion resistant injection molded filter tank featuring strength and reliability. The cartridge assembly uses four easy to clean, non-woven, polyester cartridges. Each filter is supplied with a bulkhead union set for easy installation.

Ordering Information

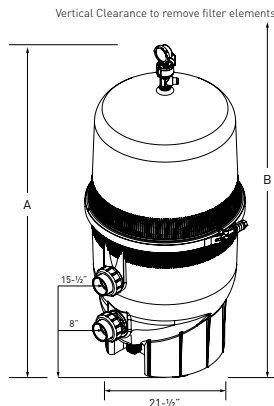
Product	Model	Effective Filtration Area (Sq. Ft.)	Flow Rate ² (GPM Res)	Turnover Capacity (In Gallons)			Carton Qty.	Carton Wt. (Lbs.)
				8 Hour	10 Hour	12 Hour		
CLEAN & CLEAR PLUS FILTERS								
160310	CCP240	240	90	43,200	54,000	64,800	1	60
160340	CCP320 ¹	320	120	57,600	72,000	86,400	1	70
160301	CCP420 ¹	420	150	72,000	90,000	108,000	1	80
160332	CCP520 ¹	520	150	72,000	90,000	108,000	1	90
CLEAN & CLEAR PLUS REPLACEMENT CARTRIDGES								
179133	Model 240 Replacement Cartridges (4/pack)							
179134	Model 320 Replacement Cartridges (4/pack)							
179135	Model 420 Replacement Cartridges (4/pack)							
179136	Model 520 Replacement Cartridges (4/pack)							

¹ Certified to NSF/ANSI Standard 50.

² Residential rate .375 GPM per sq. ft. of filter area.

Certified to NSF/ANSI Standard 50

Model	A Dim.	B Dim.
160310	37"	56"
160340	43"	62"
160301	49"	68"
160332	56"	74"



Dimensions and Performance

Note: Actual system flow will depend on plumbing size and other system components.

Note: Pentair Aquatic Systems does not recommend flow rates above 150 GPM.

* Integrated continuous High Flow internal air relief is operational only when there is unobstructed flow in the circulating system.

Note: Operating Limits – maximum continual operating pressure of 50 PSI. Pool/spa (bather) applications, maximum operating water temperature (internal filter) 104°F (40°C).

CALIFORNIA PROPOSITION 65 WARNING

▲ **WARNING:** Cancer and Reproductive Harm.
▲ **AVERTISSEMENT:** Peut Causer le Cancer et des Dommages au Système Reproducteur.
▲ **ADVERTENCIA:** Cáncer y Daño Reproductivo.

www.p65warnings.ca.gov. PH2017L4

QUAD D.E.® FILTERS

CARTRIDGE STYLE FILTER

Featured Highlights

- Four large-capacity cartridges provide maximum filter surface area for greater dirt-trapping capacity and longer periods between cleanings
- Chemical resistant, fiberglass reinforced polypropylene tank for exceptional strength and long life
- Easily removable cartridge elements make maintenance fast and easy
- The efficient water flow through the Quad D.E. Filter may assist your pump in using less energy

The Highest Water Clarity with the Lowest Amount of Fuss. Quad D.E. combines the finest filtration available for the most sparkling clear water with the convenience and easy-cleaning features usually found only in a cartridge filter. Four easily accessible and removable D.E. cartridges simplify maintenance and save time.

TRADEGRADE



CALIFORNIA PROPOSITION 65 WARNING
 ⚠️ **WARNING:** Cancer and Reproductive Harm.
 ⚠️ **AVERTISSEMENT:** Peut Causer le Cancer et des Dommages au Système Reproducteur.
 ⚠️ **ADVERTENCIA:** Cáncer y Daño Reproductivo.
www.p65warnings.ca.gov

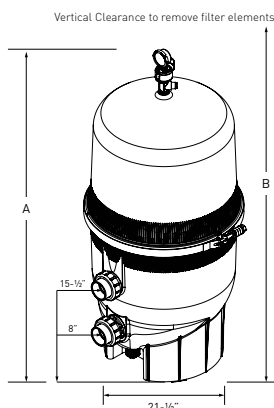
Ordering Information

Product	Model	Effective Filtration Area (Sq. Ft.)	Flow Rate (GPM)	Turnover Capacity (In Gallons)			D.E. Required (Lbs.)	Carton Qty.	Carton Wt. (Lbs.)
				8 Hour	10 Hour	12 Hour			
QUAD D.E. FILTERS									
188592	Quad D.E. 60	60	120	57,600	72,000	86,400	6.0	1	70
188593	Quad D.E. 80	80	160	76,800	96,000	115,200	8.0	1	80
188594	Quad D.E. 100	100	160	76,800	96,000	115,200	10.0	1	90
QUAD D.E. VALVE OPTIONS ¹									
261173	1-1/2 in. MPV, for Triton and Quad D.E. filters (SM 10-3)							1	3
263079	2 in. PVC Slide valve w/o plumbing, for D.E. & sand filters							1	7
261049	2 in. HiFlow valve, no plumbing							1	11
261050	2 in. HiFlow w/ plumbing, for Triton and Quad D.E. filters							1	10
261055	2 in. MPV, for Triton and Quad D.E. filters (SM 20-3)							1	5
263064	Push pull valve, 7-1/2 in. Center, Almond PVC							1	4
270100	Union Kit, 2 in. I.D. (For no valve assembly)							1	1
274426	Adapter Kit, 2-1/2 in. x 2 in.							1	1
263080	Valve for D.E., inlet port on bottom, Pentair 2 in. unions glued on XF Valve							1	12

¹ Valves must be purchased separately.

Certified to NSF/ANSI Standard 50

Product	A Dim.	B Dim.
188592	43"	62"
188593	49"	68"
188594	56"	74"



Dimensions and Performance

Note: Actual system flow will depend on plumbing size and other system components.

Note: Pentair Aquatic Systems does not recommend flow rates above 150 GPM.

* Integrated continuous High Flow internal air relief is operational only when there is unobstructed flow in the circulating system.

Note: Operating Limits – maximum continual operating pressure of 50 PSI. Pool/spa (bather) applications, maximum operating water temperature (internal filter) 104°F (40°C).

SYSTEM:3® MODULAR D.E. FILTERS

SMD SERIES FILTERS



TRADEGRADE



System:3 Modular D.E. Filters
SMD Series

Featured Highlights

- Typical Installations – Inground pools, inground hot tubs, and water features
- Quality Construction – Durable two-piece tank housing constructed of Dura-Glas™, Sta-Rite's industry leading glass-reinforced composite resin
- Easy Access – Posi-Lok™ Clamps provides easy access to tank internals
- Modular Filter Tanks – Allows for quick change of filter medias without changing the tank
- Low Maintenance – Easy backwash capabilities means less manual cleaning of the grids
- Dual Drain Plugs – Side plug assembly includes 1-1/2 in. NPT port for direct discharge plumbing
- Sleek Looks – Contemporary style and matte black finish looks attractive in any pool setting

Sta-Rite is proud to bring you the proven technology of System:3 Modular Media into the world of D.E. With balanced flow and integral manifold design, the System:3 Modular D.E. filter brings pool filtration to new heights. Available in 2 sizes, 60 and 72 sq. ft., System:3 Modular Media D.E. filtration will bring years of sparkling clear water to your customer's pool or spa. For cleaning, simply remove filter lid and hose off in place. No more hassle of tearing down the grid assembly for cleaning and servicing. The balanced flow design allows for a constant D.E. cake on the entire module, assuring full optimization of the module and longer cycles between cleanings.

Ordering Information

Product	Effective Filter Area (Sq. Ft.)	Flow Rated ¹ at 1-2 GPM (per Sq. Ft.)	Turnover Capacity (Gallons) (Flow Rate x 60 x Hours)			Tank Port Size	D.E. Required (Lbs.)	Carton Wt. (Lbs.)
			6 Hour	8 Hour	10 Hour			
SYSTEM:3 MODULAR D.E. FILTERS - SMD SERIES								
S7MD60	60	60-120	21-32,400	28-43,200	36-54,000	2 in.	9	115
S7MD72	72	72-144	25-38,880	34-51,800	43-64,800	2 in.	11	117
SMD SERIES VALVE OPTIONS								
18201-0300	ABS 6-Position Valve with Union Connections – 2 in. Port Valve							8
263053	VLV Push Pull, 7.81 in. center							12
ACCESSORIES FOR SYSTEM:3 MODULAR D.E. FILTER - SMD SERIES								
25023-0160S	60 sq. ft. Replacement D.E. Element							20
25023-0172S	72 sq. ft. Replacement D.E. Element							21
PKG 188Z	Union x 2 in. Slip Adapter – Pkg. of 2							1
PKG 189	Union x 2 in. FPT Adapter – Pkg. of 2							1
23910-1100S	System 3 Modular D.E. Conversion Kit (replacement element required; new valve may be required)							3

¹ Based on NSF recommended flow rate for commercial at 1-2 GPM per square foot.

Note: Operating Limits – maximum continual operating pressure of 50 PSI. Maximum operating water temperature (internal filter) 104°F (40°C).

CALIFORNIA PROPOSITION 65 WARNING

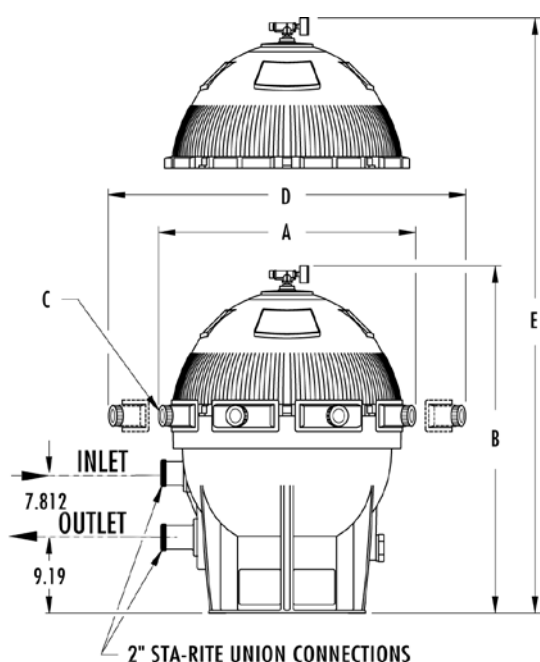
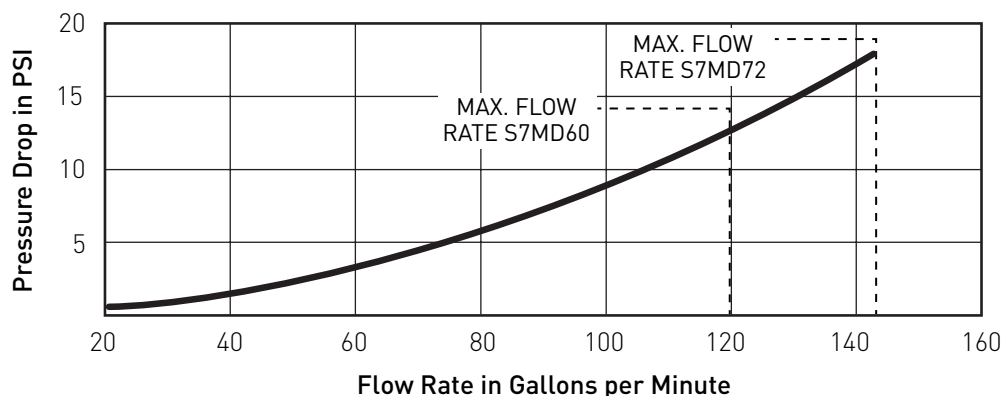
▲ **WARNING:** Cancer and Reproductive Harm.
▲ **AVERTISSEMENT:** Peut Causer le Cancer et des Dommages au Système Reproducteur.
▲ **ADVERTENCIA:** Cáncer y Daño Reproductivo.

www.p65warnings.ca.gov
PH 201714

SYSTEM:3[®] MODULAR D.E. FILTERS (CONT'D)

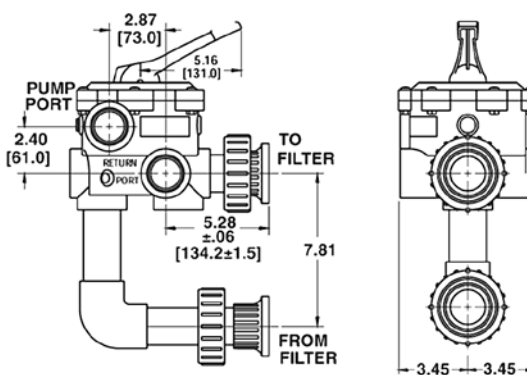
SMD SERIES FILTERS

Dimensions and Performance



18201-0300
2 in. MULTIPORT VALVE

**Certified to
NSF/ANSI Standard 50**



18201-0300
2 in. SLIDE VALVE

DIMENSION

Catalog Number	A	B	C	D	E
S7MD60	28-1/2	42	7	36	50
S7MD72	28-1/2	42	7	36	50

- A = width
- B = height
- C = number of clamps
- D = area (width) needed to take off clamps
- E = area (height) needed to remove top half of tank

All dimensions shown in inches.



HEATERS & HEAT PUMPS



COMMERCIAL POWERMAX®

HIGH PERFORMANCE ELECTRONIC IGNITION HEATER



Commercial PowerMax Heater

When performance is critical, the PowerMax Heater provides peak efficiency and easy maintenance in both indoor and outdoor applications. Seven sizes delivering up to 85% efficiency ratings and meeting all Low NOx requirements. PowerMax Heater is designed for operation to 10,000 foot elevation.

Featured Highlights

- Reliable operation in natural or propane models
- Fan-assisted and filtered combustion air
- Dual ignition systems for models greater than 750,000 BTU
- Built in mixing system helps reduce condensation possibilities
- Fits through standard doorways
- Gas supply right or left side
- CSA Certified
- **CSD-1 and other options available. Contact factory for part numbers.**

CALIFORNIA PROPOSITION 65 WARNING

⚠ **WARNING:** Cancer and Reproductive Harm.
 ⚠ **AVERTISSEMENT:** Peut Causer le Cancer et des Dommages au Système Reproducteur.
 ⚠ **ADVERTENCIA:** Cáncer y Daño Reproductivo.
www.p65warnings.ca.gov

Ordering Information

Product	BTUs (000's)	Installation	Gas Type	Pump System	Heat Exchanger	Carton Wt. (Lbs.)
COMMERCIAL POWERMAX NATURAL GAS MODELS						
PM0500NACC3BXN	500	Indoor/Outdoor	Natural	Pump Mounted	Copper	495
PM0750NACC3BXN	750	Indoor/Outdoor	Natural	Pump Mounted	Copper	575
PM1000NACC3BXN	1000	Indoor/Outdoor	Natural	Pump Mounted	Copper	685
PM1250NACC3BXN	1250	Indoor/Outdoor	Natural	Pump Mounted	Copper	730
PM1500NACC3BXN	1500	Indoor/Outdoor	Natural	Pump Mounted	Copper	830
PM1750NACC3BXN	1750	Indoor/Outdoor	Natural	Pump Mounted	Copper	880
PM2000NACC3BXN	2000	Indoor/Outdoor	Natural	Pump Mounted	Copper	1025
PM0500NACC3PXN	500	Indoor/Outdoor	Natural	Pump Mounted	CuproNickel	495
PM0750NACC3PXN	750	Indoor/Outdoor	Natural	Pump Mounted	CuproNickel	575
PM1000NACC3PXN	1000	Indoor/Outdoor	Natural	Pump Mounted	CuproNickel	685
PM1250NACC3PXN	1250	Indoor/Outdoor	Natural	Pump Mounted	CuproNickel	730
PM1500NACC3PXN	1500	Indoor/Outdoor	Natural	Pump Mounted	CuproNickel	830
PM1750NACC3PXN	1750	Indoor/Outdoor	Natural	Pump Mounted	CuproNickel	880
PM2000NACC3PXN	2000	Indoor/Outdoor	Natural	Pump Mounted	CuproNickel	1025
COMMERCIAL POWERMAX PROPANE GAS MODELS						
PM0500PACC3BXN	500	Indoor/Outdoor	Propane	Pump Mounted	Copper	495
PM0750PACC3BXN	750	Indoor/Outdoor	Propane	Pump Mounted	Copper	575
PM1000PACC3BXN	1000	Indoor/Outdoor	Propane	Pump Mounted	Copper	685
PM1250PACC3BXN	1250	Indoor/Outdoor	Propane	Pump Mounted	Copper	730
PM1500PACC3BXN	1500	Indoor/Outdoor	Propane	Pump Mounted	Copper	830
PM1750PACC3BXN	1750	Indoor/Outdoor	Propane	Pump Mounted	Copper	880
PM2000PACC3BXN	2000	Indoor/Outdoor	Propane	Pump Mounted	Copper	1025
PM0500PACC3PXN	500	Indoor/Outdoor	Propane	Pump Mounted	CuproNickel	495
PM0750PACC3PXN	750	Indoor/Outdoor	Propane	Pump Mounted	CuproNickel	575
PM1000PACC3PXN	1000	Indoor/Outdoor	Propane	Pump Mounted	CuproNickel	685
PM1250PACC3PXN	1250	Indoor/Outdoor	Propane	Pump Mounted	CuproNickel	730
PM1500PACC3PXN	1500	Indoor/Outdoor	Propane	Pump Mounted	CuproNickel	830
PM1750PACC3PXN	1750	Indoor/Outdoor	Propane	Pump Mounted	CuproNickel	880
PM2000PACC3PXN	2000	Indoor/Outdoor	Propane	Pump Mounted	CuproNickel	1025
POWERMAX STACKING SYSTEMS						
Product	Type	Heater Model		Product	Type	Heater Model
CA000800	Rack	PM500		CA001100	Rack	PM1250
CA000900	Rack	PM750		CA001200	Rack	PM1500, PM1750
CA0001000	Rack	PM1000		CA001300	Rack	PM2000

POWERMAX® HEATERS (CONT'D)

HIGH PERFORMANCE ELECTRONIC IGNITION HEATERS

SIZING CHARTS AND CLEARANCE DATA

For Indoor Pools

1. Calculate the surface area of the pool in square feet.
2. Refer to the selection chart.
3. Find the closest square footage in the 10° F (6° C) Temperature Difference table and the heater model that corresponds to it. For normal conditions, we recommend using the 10° F (6° C) Temperature Difference columns; this will provide a temperature increase of approximately 6° F (3° C) per 24-hour period.

For Outdoor Pools

1. Determine the difference between the desired pool temperature and the average air temperature during the coldest month in which the pool will be used (see the Temperature Difference table below).
2. Calculate the surface area of the pool.
3. Refer to the selection chart. Listed are the maximum pool surface areas for each heater model with typical temperature differences. Make the appropriate selection from the chart.

Temperature Difference

	10° F	6° C	15° F	8° C	20° F	11° C	25° F	14° C	30° F	17° C	35° F	19° C	40° F	22° C	45° F	25° C	50° F	28° C	
Surface Area of Pool																			
Model	Sq. Ft.	Sq. M.	Sq. Ft.	Sq. M.	Sq. Ft.	Sq. M.	Sq. Ft.	Sq. M.	Sq. Ft.	Sq. M.	Sq. Ft.	Sq. M.	Sq. Ft.	Sq. M.	Sq. Ft.	Sq. M.	Sq. Ft.	Sq. M.	
500	4,090	370	2,720	250	2,040	180	1,630	150	1,360	120	1,170	100	1,020	90	910	80	810	70	
750	6,130	560	4,090	370	3,060	280	2,450	220	2,040	180	1,750	160	1,530	140	1,360	120	1,220	110	
1,000	8,180	750	5,450	500	4,090	370	3,270	300	2,720	250	2,340	210	2,040	180	1,820	160	1,630	150	
1,250	10,230	950	6,820	630	5,110	470	4,090	370	3,410	310	2,920	270	2,550	230	2,280	210	2,040	180	
1,500	12,270	1,130	8,180	750	6,130	560	4,910	450	4,090	370	3,510	320	3,060	280	2,730	250	2,450	220	
1,750	14,320	1,330	9,540	880	7,160	660	5,720	530	4,770	440	4,090	370	3,580	330	3,190	290	2,860	260	
2,000	16,370	1,520	10,910	1,010	8,180	750	6,540	600	5,450	500	4,680	430	4,090	370	3,650	330	3,270	300	

Clearances

Appliance Surface	Clearance From Combustible Material	Service Access Clearance
Right Side	1" 2.5 cm	24" 61 cm
Left Side	1" 2.5 cm	24" 61 cm
Front	1" 2.5 cm	36" 91 cm

Appliance Surface	Clearance From Combustible Material	Service Access Clearance
Top	1" 2.5 cm	12" 30 cm
Back*	1" 2.5 cm	12" 30 cm
Vent	Per venting system supplier's instructions	

*When vent and/or air is connected to the back, 36" (91 cm) is suggested.

SIZE	OUTDOOR VENT TERMINAL	OUTDOOR COMBUSTION AIR TERMINAL
500	20254703	D2007900
750	20254705	D2008000
1000	20254705	D2008000
1250	D2007700	D2008200
1500	D2007700	D2008200
1750	D2007800	D2008200
2000	D2007800	D2008200

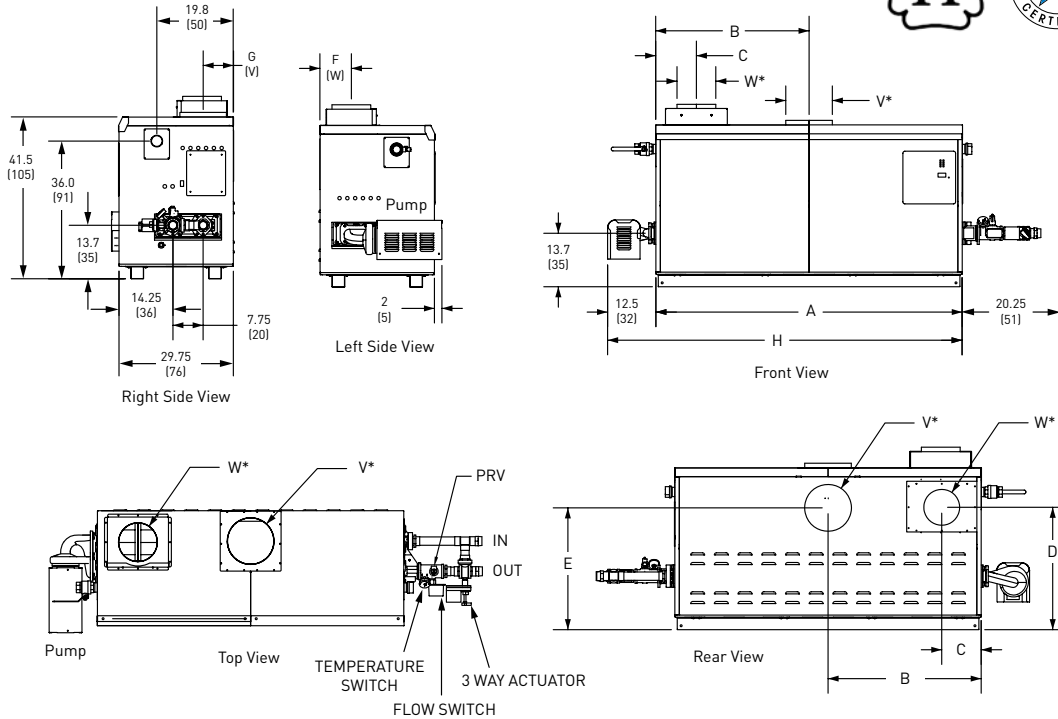
Vent Terminals for Outdoor Units

*Statements of heater/heat pump performance are based on estimates. Actual performance may vary and is not guaranteed. Estimates for heat-up time and temperatures are based on operation in a controlled environment. Real-world operational results may vary due to various factors and variables, including, but not limited to, environmental conditions, geography, elevation, seasonality, weather, wind, sun exposure, humidity, precipitation. Other factors of the pool that may impact heating performance include design and configuration, volume/size, orientation, R-value of construction materials, plumbing length/materials, operating conditions and more. Pentair recommends consulting a pool professional for assistance with heater/heat pump sizing for specific locations and environmental/operational conditions. Estimates are based on average U.S. air temperatures and maintaining a 17,000-gallon pool at an 82°F target water temperature for an uncovered pool operating March—October under moderate wind conditions with an electricity cost of \$0.12/ kWh and natural gas cost of \$1.10 per 100,000 BTU and comparing energy use to a gas heater that is 82% efficiency.

COMMERCIAL POWERMAX® (CONT'D)

HIGH PERFORMANCE ELECTRONIC IGNITION HEATER

Dimensions and Performance



Dimensional Data Dimensions shown in inches, cm.

Size (000's)	A		B		C		D		E		F		G		H		Air Conn. W*		Vent Conn. V*		Horiz. Vent Pipe	
500	33½	85	15¾	40	5¾	15	29¾	76	32¾	83	7¾	20	8¾	22	46	117	6	15	8	15	6	15
750	45½	116	21¾	55	5¾	15	29¾	76	32¾	83	7¾	20	8¾	22	58	147	6	15	10	20	8	15
1000	57½	146	28¾	73	5¾	15	29¾	76	32¾	83	7¾	20	7	18	70	178	8	20	10	25	8	20
1250	68	172	34	86	10¼	26	30¾	78	29½	75	8¾	22	8¾	22	80	203	8	20	12	30	8	20
1500	78½	199	39¾	101	10¼	26	30¾	78	29½	75	8¾	22	8¾	22	91	231	8	20	12	30	8	20
1750	89	226	44½	113	10¼	26	30¾	78	29½	75	8¾	22	8¾	22	101	256	8	20	14	36	8	20
2000	99½	253	49¾	126	10¼	26	30¾	78	29½	75	8¾	22	8¾	22	112	284	12	30	14	36	12	30

*Air and vent connections may be on top or back of the PowerMax, and are field convertible.

Sizing Data

Indoor Model	Input ¹ BTU/h x1000	Output ¹ BTU/h x1000	Gas Conn. Size inches ²	Heater Water Conn. Size inches ²	Mixing System Water Conn. Size inches ²	Shipping Weight	
						lbs.	kg
500	500	425	1¼	2	2	495	225
750	750	638	1¼	2	2	575	261
1000	999	849	1½	2½	2	685	311
1250	1250	1063	2	2½	2	730	331
1500	1500	1275	2	2½	2	830	377
1750	1750	1488	2	2½	2	880	400
2000	1999	1699	2	2½	2	1025	465

NOTES: 1. Input and output must be derated 2% per 1000 feet above sea level when installed above 2000 feet altitude.
 2. Dimensions are nominal.

COMMERCIAL MEGATHERM®

HIGH PERFORMANCE ELECTRONIC IGNITION HEATER

Featured Highlights

- Electronic ignition
- Built-in draft diverter (indoor models) simplifies installation
- Integral pump assures proper water flow (models 500-1825)
- High temperature refractory firebox liner to 2000° F for greater efficiency
- Easy-to-service header flanges
- Corrosion-resistant glass-lined headers
- CSA Certified
- **CSD-1 and other options available. Contact factory for part numbers**
- Start-up service by an authorized representative is strongly recommended before regular operation



Commercial MegaTherm Heater

CALIFORNIA PROPOSITION 65 WARNING
 ⚠️ **WARNING:** Cancer and Reproductive Harm.
 ⚠️ **AVERTISSEMENT:** Peut Causer le Cancer et des Dommages au Système Reproducteur.
 ⚠️ **ADVERTENCIA:** Cáncer y Daño Reproductivo.
www.p65warnings.ca.gov PH 202114

MegaTherm Pool Heaters are designed for commercial, institutional and large residential where economical performance and rapid heat-up are required. Available in indoor and outdoor models in both natural and propane. MegaTherm is design verified to the ANSI Z21.56 Standard for Gas-Fired Pool Heaters (Outdoor 5---1825 units are certified for use without the addition of a draft diverter or external vent. Indoor units incorporate a built-in draft diverter and require only vent piping.)

Ordering Information

Product	BTUs (000's)	Installation	Gas Type	Pump System	Heat Exchanger	Carton Wt. (Lbs.)
COMMERCIAL MEGATHERM NATURAL GAS MODELS						
MT0500IN09C1PC	500	Indoor	Natural	Pump Mounted	Copper	808
MT0600IN09C1PC	600	Indoor	Natural	Pump Mounted	Copper	819
MT0715IN09C1PC	715	Indoor	Natural	Pump Mounted	Copper	873
MT0850IN09C1PC	850	Indoor	Natural	Pump Mounted	Copper	945
MT0999IN09C1PC	999	Indoor	Natural	Pump Mounted	Copper	1041
MT1010IN09C1PC	1010	Indoor	Natural	Pump Mounted	Copper	1041
MT1200IN09C1PC	1200	Indoor	Natural	Pump Mounted	Copper	1199
MT1430IN09C1PC	1430	Indoor	Natural	Pump Mounted	Copper	1280
MT1670IN09CBPC	1670	Indoor	Natural	Pump Mounted	Copper	1445
MT1825IN09CBPC	1825	Indoor	Natural	Pump Mounted	Copper	1570
MT0500IN09C1PN	500	Indoor	Natural	Pump Mounted	CuproNickel	808
MT0600IN09C1PN	600	Indoor	Natural	Pump Mounted	CuproNickel	819
MT0715IN09C1PN	715	Indoor	Natural	Pump Mounted	CuproNickel	873
MT0850IN09C1PN	850	Indoor	Natural	Pump Mounted	CuproNickel	945
MT0999IN09C1PN	999	Indoor	Natural	Pump Mounted	CuproNickel	1041
MT1010IN09C1PN	1010	Indoor	Natural	Pump Mounted	CuproNickel	1041
MT1200IN09C1PN	1200	Indoor	Natural	Pump Mounted	CuproNickel	1199
MT1430IN09C1PN	1430	Indoor	Natural	Pump Mounted	CuproNickel	1280
MT1670IN09CBPN	1670	Indoor	Natural	Pump Mounted	CuproNickel	1445
MT1825IN09CBPN	1825	Indoor	Natural	Pump Mounted	CuproNickel	1570
MT0500EN09CBPC	500	Outdoor	Natural	Pump Mounted	Copper	855
MT0600EN09CBPC	600	Outdoor	Natural	Pump Mounted	Copper	949
MT0715EN09CBPC	715	Outdoor	Natural	Pump Mounted	Copper	1050
MT0850EN09CBPC	850	Outdoor	Natural	Pump Mounted	Copper	1100
MT0999EN09CBPC	999	Outdoor	Natural	Pump Mounted	Copper	1240
MT1010EN09CBPC	1010	Outdoor	Natural	Pump Mounted	Copper	1240
MT1200EN09CBPC	1200	Outdoor	Natural	Pump Mounted	Copper	1410
MT1430EN09CBPC	1430	Outdoor	Natural	Pump Mounted	Copper	1570
MT1670EN09CBPC	1670	Outdoor	Natural	Pump Mounted	Copper	1622
MT1825EN09CBPC	1825	Outdoor	Natural	Pump Mounted	Copper	1725
MT0500EN09CBPN	500	Outdoor	Natural	Pump Mounted	CuproNickel	855

COMMERCIAL MEGATHERM® (CONT'D)

HIGH PERFORMANCE ELECTRONIC IGNITION HEATER

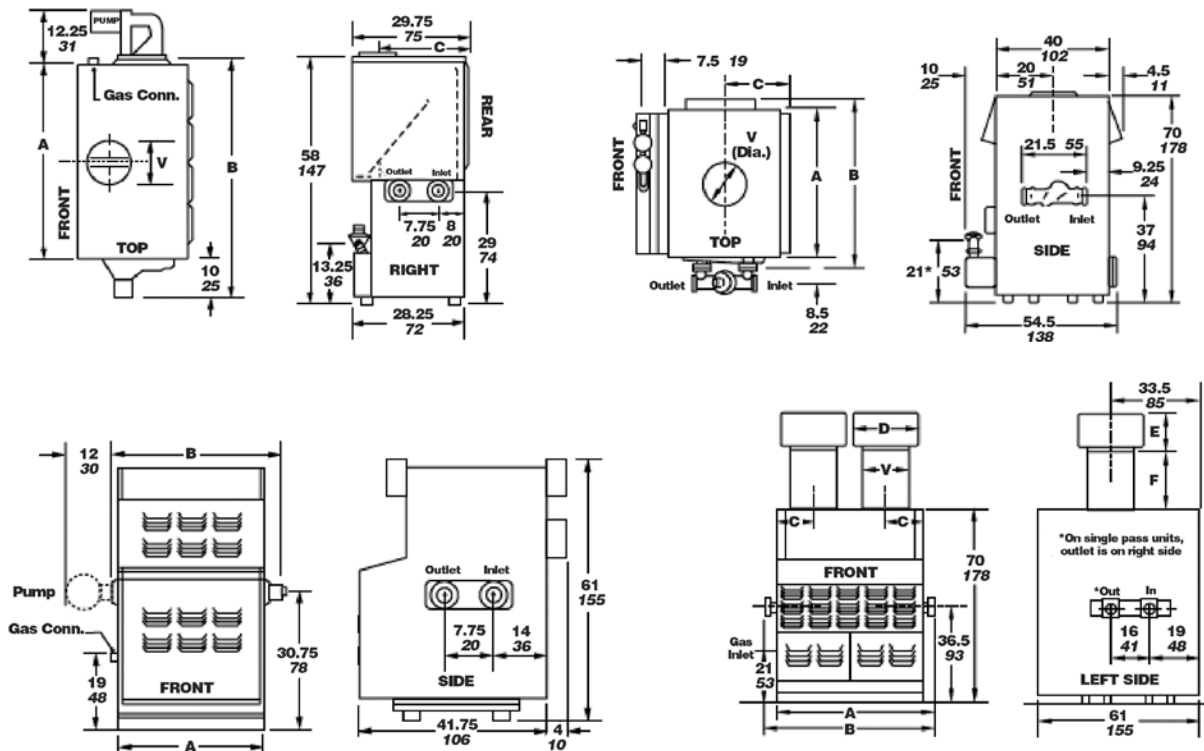
Product	BTUs (000's)	Installation	Gas Type	Pump System	Heat Exchanger	Carton Wt. (Lbs.)
COMMERCIAL MEGATHERM NATURAL GAS MODELS						
MT0600EN09CBPN	600	Outdoor	Natural	Pump Mounted	CuproNickel	949
MT0715EN09CBPN	715	Outdoor	Natural	Pump Mounted	CuproNickel	1050
MT0850EN09CBPN	850	Outdoor	Natural	Pump Mounted	CuproNickel	1100
MT0999EN09CBPN	999	Outdoor	Natural	Pump Mounted	CuproNickel	1240
MT1010EN09CBPN	1010	Outdoor	Natural	Pump Mounted	CuproNickel	1240
MT1200EN09CBPN	1200	Outdoor	Natural	Pump Mounted	CuproNickel	1410
MT1430EN09CBPN	1430	Outdoor	Natural	Pump Mounted	CuproNickel	1570
MT1670EN09CBPN	1670	Outdoor	Natural	Pump Mounted	CuproNickel	1622
MT1825EN09CBPN	1825	Outdoor	Natural	Pump Mounted	CuproNickel	1725
MT2000IN18CCAC	2000	Indoor	Natural	Less Pump	Copper	1950
MT2450IN18CCAC	2450	Indoor	Natural	Less Pump	Copper	2100
MT3050IN18CCAC	3050	Indoor	Natural	Less Pump	Copper	2250
MT3500IN18CCAC	3500	Indoor	Natural	Less Pump	Copper	2510
MT4050IN18CCAC	4050	Indoor	Natural	Less Pump	Copper	2750
MT4500IN18CCAC	4500	Indoor	Natural	Less Pump	Copper	2900
MT5000IN18CCAC	5000	Indoor	Natural	Less Pump	Copper	3200
MT2000IN18CCAN	2000	Indoor	Natural	Less Pump	CuproNickel	1950
MT2450IN18CCAN	2450	Indoor	Natural	Less Pump	CuproNickel	2100
MT3050IN18CCAN	3050	Indoor	Natural	Less Pump	CuproNickel	2250
MT3500IN18CCAN	3400	Indoor	Natural	Less Pump	CuproNickel	2510
MT4050IN18CCAN	4050	Indoor	Natural	Less Pump	CuproNickel	2750
MT4500IN18CCAN	4500	Indoor	Natural	Less Pump	CuproNickel	2900
MT5000IN18CCAN	5000	Indoor	Natural	Less Pump	CuproNickel	3200
MT2200EN18CCAC	2200	Outdoor	Natural	Less Pump	Copper	2320
MT2800EN18CCAC	2800	Outdoor	Natural	Less Pump	Copper	2500
MT3200EN18CCAC	3200	Outdoor	Natural	Less Pump	Copper	2840
MT3600EN18CCAC	3600	Outdoor	Natural	Less Pump	Copper	3175
MT4000EN18CCAC	4000	Outdoor	Natural	Less Pump	Copper	3940
MT4500EN18CCAC	4500	Outdoor	Natural	Less Pump	Copper	3790
MT2200EN18CCAN	2200	Outdoor	Natural	Less Pump	CuproNickel	2320
MT2800EN18CCAN	2800	Outdoor	Natural	Less Pump	CuproNickel	2500
MT3200EN18CCAN	3200	Outdoor	Natural	Less Pump	CuproNickel	2840
MT3600EN18CCAN	3600	Outdoor	Natural	Less Pump	CuproNickel	3175
MT4000EN18CCAN	4000	Outdoor	Natural	Less Pump	CuproNickel	3940
MT4500EN18CCAN	4500	Outdoor	Natural	Less Pump	CuproNickel	3790
COMMERCIAL MEGATHERM PROPANE MODELS						
MT0500IP09C1PC	500	Indoor	Propane	Pump Mounted	Copper	808
MT0600IP09C1PC	600	Indoor	Propane	Pump Mounted	Copper	819
MT0715IP09C1PC	715	Indoor	Propane	Pump Mounted	Copper	873
MT0850IP09C1PC	850	Indoor	Propane	Pump Mounted	Copper	945
MT0999IP09C1PC	999	Indoor	Propane	Pump Mounted	Copper	1041
MT1010IP09C1PC	1010	Indoor	Propane	Pump Mounted	Copper	1041
MT1200IP09C1PC	1200	Indoor	Propane	Pump Mounted	Copper	1199
MT1430IP09C1PC	1430	Indoor	Propane	Pump Mounted	Copper	1280
MT1670IP09CBPC	1670	Indoor	Propane	Pump Mounted	Copper	1445
MT1825IP09CBPC	1825	Indoor	Propane	Pump Mounted	Copper	1570
MT0500IP09C1PN	500	Indoor	Propane	Pump Mounted	CuproNickel	808
MT0600IP09C1PN	600	Indoor	Propane	Pump Mounted	CuproNickel	819
MT0715IP09C1PN	715	Indoor	Propane	Pump Mounted	CuproNickel	873
MT0850IP09C1PN	850	Indoor	Propane	Pump Mounted	CuproNickel	945

COMMERCIAL MEGATHERM® (CONT'D)

HIGH PERFORMANCE ELECTRONIC IGNITION HEATER

Product	BTUs (000's)	Installation	Gas Type	Pump System	Heat Exchanger	Carton Wt. (Lbs.)
COMMERCIAL MEGATHERM PROPANE MODELS						
MT0999IP09C1PN	999	Indoor	Propane	Pump Mounted	CuproNickel	1041
MT1010IP09C1PN	1010	Indoor	Propane	Pump Mounted	CuproNickel	1041
MT1200IP09C1PN	1200	Indoor	Propane	Pump Mounted	CuproNickel	1199
MT1430IP09C1PN	1430	Indoor	Propane	Pump Mounted	CuproNickel	1280
MT1670IP09CBPN	1670	Indoor	Propane	Pump Mounted	CuproNickel	1445
MT1825IP09CBPN	1825	Indoor	Propane	Pump Mounted	CuproNickel	1570
MT0500EP09CBPC	500	Outdoor	Propane	Pump Mounted	Copper	855
MT0600EP09CBPC	600	Outdoor	Propane	Pump Mounted	Copper	949
MT0715EP09CBPC	715	Outdoor	Propane	Pump Mounted	Copper	1050
MT0850EP09CBPC	850	Outdoor	Propane	Pump Mounted	Copper	1100
MT0999EP09CBPC	999	Outdoor	Propane	Pump Mounted	Copper	1240
MT1010EP09CBPC	1010	Outdoor	Propane	Pump Mounted	Copper	1240
MT1200EP09CBPC	1200	Outdoor	Propane	Pump Mounted	Copper	1410
MT1430EP09CBPC	1430	Outdoor	Propane	Pump Mounted	Copper	1570
MT1670EP09CBPC	1670	Outdoor	Propane	Pump Mounted	Copper	1622
MT1825EP09CBPC	1825	Outdoor	Propane	Pump Mounted	Copper	1725
MT0500EP09CBPN	500	Outdoor	Propane	Pump Mounted	CuproNickel	855
MT0600EP09CBPN	600	Outdoor	Propane	Pump Mounted	CuproNickel	949
MT0715EP09CBPN	715	Outdoor	Propane	Pump Mounted	CuproNickel	1050
MT0850EP09CBPN	850	Outdoor	Propane	Pump Mounted	CuproNickel	1100
MT0999EP09CBPN	999	Outdoor	Propane	Pump Mounted	CuproNickel	1240

Dimensions and Performance



COMMERCIAL MEGATHERM® (CONT'D)

HIGH PERFORMANCE ELECTRONIC IGNITION HEATERS

FOR INDOOR POOLS MODEL I

1. Calculate the surface area of the pool in square feet.
2. Refer to the selection chart for either an indoor or outdoor heater.
3. Find the closest square footage in the 10° F (6° C) Temperature Difference column, and the heater models which correspond to it. For normal conditions, Pentair recommends using the 10° F Temperature Difference columns; this will provide a temperature increase of approximately 6° F per 24 hour period.

Temperature Difference

Model	10° F	6° C	15° F	8° C	20° F	11° C	25° F	14° C	30° F	17° C	35° F	19° C	40° F	22° C	45° F	25° C	50° F	28° C	
	Surface Area of Pools (Sq. Ft.)																		
500 I	3900	362	2600	242	1950	181	1560	145	1300	121	1115	104	975	91	870	81	780	72	
600 I	4680	435	3120	290	2340	217	1870	174	1560	145	1340	124	1170	109	1040	97	935	87	
715 I	5580	518	3720	346	2790	259	2230	207	1860	173	1595	148	1395	130	1240	115	1115	104	
850 I	6630	616	4420	411	3315	308	2650	246	2210	205	1895	176	1660	154	1475	137	1325	123	
1010 I	7880	732	5250	488	3940	366	3150	293	2625	244	2259	210	1970	183	1750	163	1575	146	
1200 I	9360	870	6240	580	4680	435	3745	348	3120	290	2675	249	2340	217	2080	193	1870	174	
1430 I	11155	1036	7435	691	5580	518	4460	414	3720	346	3190	296	2790	259	2480	230	2230	207	
1670 I	13025	1210	8685	807	6515	605	5210	484	4340	403	3720	346	3260	303	2895	269	2605	242	
1825 I	14235	1322	9490	882	7120	661	5695	528	4745	441	4070	378	3560	331	3165	294	2850	265	
2000 I	16400	1524	10935	1016	8200	819	6560	609	5465	508	4685	435	4100	381	3645	339	3280	305	
2450 I	20090	1866	13395	1244	10045	933	8035	746	6695	622	5740	533	5025	467	4465	415	4020	373	
3050 I	25010	2323	16675	1549	12505	1162	10000	929	8335	744	7145	664	6255	581	5560	517	5000	465	
3500 I	28700	2666	19135	1778	14350	1333	11480	1066	9565	889	8200	764	7175	667	6380	593	5740	533	
4050 I	33210	3085	22140	2057	16605	1543	13285	1234	11070	1028	9490	882	8300	771	7380	686	6640	617	
4500 I	36900	3428	24600	2285	18450	1714	14760	1371	12300	1143	10545	980	9225	857	8200	762	7380	686	
5000 I	41000	3809	27335	2539	20500	1904	16400	1524	13665	1269	11715	1088	10250	952	9110	846	8200	762	

Dimensional Data

Indoor Size	Input ₁		Output ₁		Gas Conn. Size ₂ - inches NPT		Water Conn. Size ₂ - inches NPT	Dimensions ₂ - inches <i>cm</i>								Weights ₃	
	MBTU/h	<i>kw</i>	MBTU/h	<i>kw</i>	Nat	LP		A		B		C		V		lbs.	<i>kg</i>
500 I	500	147	405	119	1	¾	2½	33¾	86	45¼	115	23¾	60	10	25	808	367
600 I	600	176	486	143	1	¾	2½	38¾	98	50¼	128	22¾	58	12	30	819	372
715 I	715	210	579	170	1	¾	2½	44¼	112	55¾	142	22¾	58	12	30	873	396
850 I	850	249	689	202	1	¾	2½	50¾	129	62¼	158	21¾	55	14	36	945	429
1010 I	1010	296	818	240	1¼	1	2½	58	147	69½	177	20¾	53	16	41	1041	473
1200 I	1200	352	972	285	1¼	1	2½	66¼	168	77¾	197	20¾	53	16	41	1199	544
1430 I	1430	419	1158	339	1¼	1¼	2½	76	193	87½	222	19¾	50	18	46	1280	581
1670 I	1670	489	1353	396	1½	1¼	2½	85½	217	97	246	19¾	50	18	46	1445	656
1825 I	1825	535	1478	433	1½	1¼	2½	92½	235	103¾	264	19¾	50	18	46	1570	713
2000 I	2000	586	1639	480	1½	1¼	4	55½	141	73	185	24½	62	22	56	1950	885
2450 I	2450	718	2009	589	1½	1½	4	65½	166	83	211	24½	62	24	61	2100	913
3050 I	3050	894	2501	733	2	1½	4	78	198	95½	243	24½	62	26	66	2250	1022
3500 I	3500	1025	2870	841	2	1½	4	88	224	105½	268	24½	62	28	71	2510	1140
4050 I	4050	1186	3321	973	2	2	4	100½	255	118	300	24½	62	30	76	2750	1249
4500 I	4500	1318	3690	1081	2½	2	4	110½	281	128	325	24½	62	32	81	2900	1317
5000 I	5000	1465	4100	1201	2½	2	4	123	312	140½	357	24½	62	34	86	3200	1453

NOTES:

1. Input and output must be derated 4% per 1000 feet above sea level when installed above 2000 feet altitude.
2. Dimensions are nominal.
3. Integral pump included on sizes 500-1825.

*Statements of heater/heat pump performance are based on estimates. Actual performance may vary and is not guaranteed. Estimates for heat-up time and temperatures are based on operation in a controlled environment. Real-world operational results may vary due to various factors and variables, including, but not limited to, environmental conditions, geography, elevation, seasonality, weather, wind, sun exposure, humidity, precipitation. Other factors of the pool that may impact heating performance include design and configuration, volume/size, orientation, R-value of construction materials, plumbing length/materials, operating conditions and more. Pentair recommends consulting a pool professional for assistance with heater/heat pump sizing for specific locations and environmental/operational conditions. Estimates are based on average U.S. air temperatures and maintaining a 17,000-gallon pool at an 82°F target water temperature for an uncovered pool operating March—October under moderate wind conditions with an electricity cost of \$0.12/ kWh and natural gas cost of \$1.10 per 100,000 BTU and comparing energy use to a gas heater that is 82% efficiency.

COMMERCIAL MEGATHERM® (CONT'D)

HIGH PERFORMANCE ELECTRONIC IGNITION HEATERS

FOR OUTDOOR POOLS MODEL E

1. Determine the difference between the desired pool temperature and the average air temperature during the coldest month in which the pool will be used (referred to in the chart below as "Temperature Difference").
2. Calculate the surface area of the pool.
3. Refer to the selection chart. Listed are the maximum pool surface areas for each heater model with typical temperature differences. Make the appropriate selection from the chart.

Temperature Difference

Model	10° F	6° C	15° F	8° C	20° F	11° C	25° F	14° C	30° F	17° C	35° F	19° C	40° F	22° C	45° F	25° C	50° F	28° C
	Surface Area of Pools (Sq. Ft.)																	
500 E	4000	372	2665	248	2000	186	1600	149	1330	124	1140	106	1000	93	885	82	800	74
600 E	4800	446	3200	297	2400	223	1920	178	1600	149	1370	127	1200	111	1065	99	960	89
715 E	5720	531	3810	354	2860	266	2285	212	1905	177	1630	151	1430	133	1270	118	1140	106
850 E	6800	632	4530	421	3400	316	2720	253	2265	210	1940	180	1700	158	1510	140	1360	126
1010 E	8080	751	5385	500	4040	375	3230	300	2690	250	2305	214	2020	188	1795	167	1615	150
1200 E	9600	892	6400	595	4800	446	3840	357	3200	297	2740	255	2400	223	2130	198	1920	178
1430 E	11440	1063	7625	708	5720	531	4575	425	3810	354	3265	303	2860	266	2540	236	2285	212
1670 E	13360	1241	8905	827	6680	621	5344	496	4450	413	3815	354	3340	310	2965	275	2670	248
1825 E	14600	1356	9730	904	7300	678	5840	543	4865	452	4170	387	3650	339	3240	301	2920	271
2200 E	17861	1659	11907	1106	8930	830	7144	664	5954	553	5103	474	4465	415	3969	369	3572	332
2800 E	22235	2066	14823	1377	11117	1033	8894	826	7412	689	6353	590	5559	516	4941	459	4447	413
3200 E	25515	2370	17010	1580	12758	1185	10206	948	8505	790	7290	677	6379	593	5670	527	5103	474
3600 E	29525	2743	19683	1829	14762	1371	11810	1097	9842	914	8436	784	7381	686	6561	610	5905	549
4000 E	32805	3048	21870	2032	16403	1524	13122	1219	10935	1016	9373	871	8201	762	7290	677	6561	610
4500 E	36450	3386	24300	2257	18225	1693	14580	1354	12150	1129	10414	967	9113	847	8100	752	7290	677

NOTES: For high altitude pools, reduce the surface area figures shown in the charts by 4% for each 1000 ft. above sea level. (No derating is necessary up to 2000 ft. above sea level.)

Sizing for outdoor pools is based on 3½ mph average wind.

Dimensional Data

Indoor Size	Input ₁		Output ₂		Gas Conn. Size ₂ inches NPT		Water Conn. Size ₂ - inches NPT	Dimensions ₂ - inches cm											Outdoor Size	Shipping Weight ₃				
	MBTU/h	kw	MBTU/h	kw	Nat	LP		A	B	C	D	E	F	V	lbs.	kg								
500 E	500	147	410	120	1	¾	2½	33¾	86	45¼	115	—	—	—	—	—	—	—	—	500 E	500	147		
600 E	600	176	492	144	1	¾	2½	38¾	98	50¼	128	—	—	—	—	—	—	—	—	600 E	600	176		
715 E	715	210	586	172	1	¾	2½	44¼	112	55¼	142	—	—	—	—	—	—	—	—	715 E	715	210		
850 E	850	249	697	204	1	¾	2½	50¾	129	62¼	158	—	—	—	—	—	—	—	—	850 E	850	249		
1010 E	1010	296	828	243	1¼	1	2½	58	147	69½	177	—	—	—	—	—	—	—	—	1010 E	1010	296		
1200 E	1200	352	984	288	1¼	1	2½	66¼	168	77¾	197	—	—	—	—	—	—	—	—	1200 E	1200	352		
1430 E	1430	419	1173	344	1¼	1¼	2½	76	193	87½	222	—	—	—	—	—	—	—	—	1430 E	1430	419		
1670 E	1670	489	1370	401	1½	1¼	2½	85½	217	97	246	—	—	—	—	—	—	—	—	1670 E	1670	489		
1825 E	1825	535	1497	439	1½	1¼	2½	92½	235	103¾	264	—	—	—	—	—	—	—	—	1825 E	1825	535		
2200 E	2205	646	1786	523	1½	1¼	4	65½	166	83	211	16	41	28¼	72	15	38	24	61	18	46	2200 E	2205	646
2800 E	2745	804	2223	651	1½	1½	4	78	198	95½	243	20	51	28¼	72	15	38	24	61	18	46	2800 E	2745	804
3200 E	3150	923	2552	748	2	1½	4	88	224	105½	268	23	58	31½	80	16½	42	36	91	20	51	3200 E	3150	923
3600 E	3645	1068	2952	865	2	2	4	100½	255	118	300	29	74	31½	80	16½	42	36	91	20	51	3600 E	3645	1068
4000 E	4050	1187	3281	961	2½	2	4	110½	281	128	325	30½	77	34½	88	18	46	36	91	22	56	4000 E	4050	1187
4500 E	4500	1319	3645	1068	2½	2	4	123	312	140½	357	34	86	37¾	96	19½	50	36	91	24	61	4500 E	4500	1319

- NOTES: 1. Input and output must be derated 4% per 1000 feet above sea level when installed above 2000 feet altitude.
 2. Dimensions are nominal.
 3. Integral pump included on sizes 500–1825.

*Statements of heater/heat pump performance are based on estimates. Actual performance may vary and is not guaranteed. Estimates for heat-up time and temperatures are based on operation in a controlled environment. Real-world operational results may vary due to various factors and variables, including, but not limited to, environmental conditions, geography, elevation, seasonality, weather, wind, sun exposure, humidity, precipitation. Other factors of the pool that may impact heating performance include design and configuration, volume/size, orientation, R-value of construction materials, plumbing length/materials, operating conditions and more. Pentair recommends consulting a pool professional for assistance with heater/heat pump sizing for specific locations and environmental/operational conditions. Estimates are based on average U.S. air temperatures and maintaining a 17,000-gallon pool at an 82°F target water temperature for an uncovered pool operating March–October under moderate wind conditions with an electricity cost of \$0.12/ kWh and natural gas cost of \$1.10 per 100,000 BTU and comparing energy use to a gas heater that is 82% efficiency.

ETi[®] 400

HIGH EFFICIENCY HEATER

TRADEGRADE



ETi 400 Heater

The ETi 400 pool and spa heater brings you TitanTough Direct-Fire Titanium, the toughest ASME certified construction heat exchanger ever built. At 96% thermal efficiency, the ETi 400 heater has the highest efficiency ever built in its class. All this in a heater that operates with ultra-quiet noise level and out performs energy emissions standards.

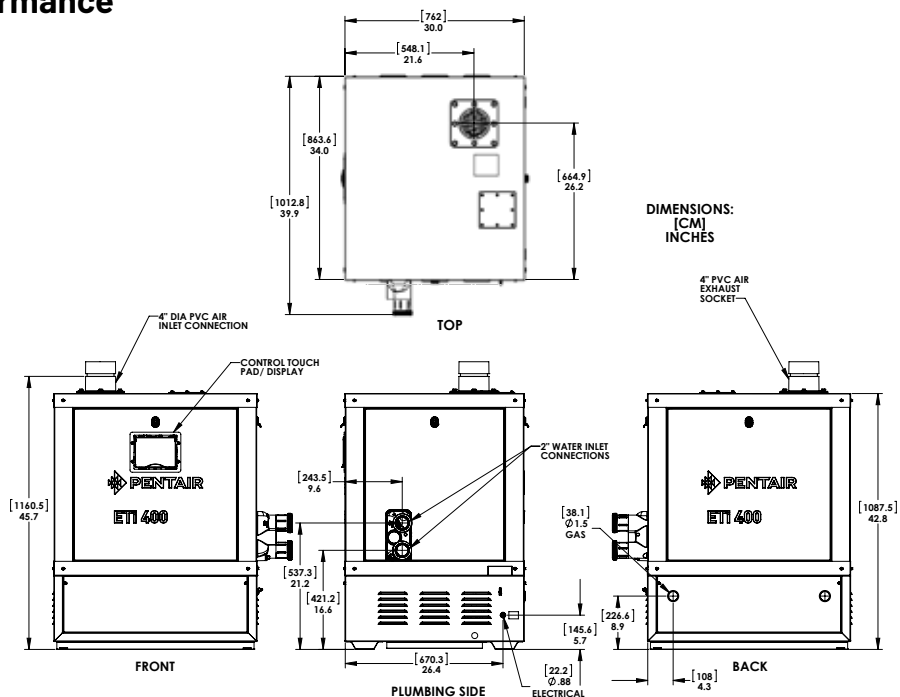
Featured Highlights

- TitanTough™ Direct-Fire Titanium ASME certified heat exchanger
- Certified for Ultra Low NOx Emissions
- Best-in-Class Energy Efficiency for fast heat up times and energy savings
- 4" PVC or CPVC vent up to 120 ft and 6" vent up to 300 ft long
- Indoor and Outdoor rating
- Ultra-Quiet operation
- Convenient 180 degrees rotating controls panel for left or right plumbing orientation
- Convenient front and rear gas connection capability
- Factory configured for Natural Gas. Propane conversion kit available.

Ordering Information

Product	Gas Type	BTU (400,000)	Crate Qty.	Crate Wt.
ETi400 Heater				
461113	Natural	400,000 BTU—ASME LISTED	1	365
ACCESSORIES				
475971	Direct Air Intake Kit (for indoor installations)		1	5
475612	Condensate Neutralizer Cartridge Kit		1	5
476072	Propane Gas Conversion Kit		1	2

Dimensions and Performance



CALIFORNIA PROPOSITION 65 WARNING

⚠️ **WARNING:** Cancer and Reproductive Harm.
 ⚠️ **AVERTISSEMENT:** Peut Causer le Cancer et des Dommages au Système Reproducteur.
 ⚠️ **ADVERTENCIA:** Cáncer y Daño Reproductivo.

www.p65warnings.ca.gov. FR200704

MASTERTEMP® ASME HEATER

HIGH PERFORMANCE HEATERS

Featured Highlights

- Now with smart connectivity and energy-saving automation, it's easier than ever to get the pool warm and ready whenever it's needed.
- New automation functionality and ignition control module with flame strength sensor for always optimized performance.
- Eco-friendly MasterTemp Heater is certified for low NOx emission.
- Multi-position top panel allows digital display to be re-positioned for convenient operation.
- Tough, rustproof exterior handles the heat and weathers the elements.
- Certified for outdoor and indoor installations.
- **Optional Smart Heater Bypass valve control diverts water flow when the heater isn't needed to help save up to 35% in yearly operational costs.***



MasterTemp High Performance Heater

CALIFORNIA PROPOSITION 65 WARNING

⚠️ **WARNING:** Cancer and Reproductive Harm.
 ⚠️ **AVERTISSEMENT:** Peut Causer le Cancer et des Dommages au Système Reproducteur.
 ⚠️ **ADVERTENCIA:** Cáncer y Daño Reproductivo.

www.p65warnings.ca.gov PA120124

MasterTemp heaters offer all the efficiency, convenience and reliability features you want in a pool heater, plus a lot more. As easy to use as your home heating system, plus, user-friendly LCD display and troubleshoot icons make system operation and monitoring a snap. The compact design and super-quiet operation won't intrude on your poolside leisure time. Heavy-duty (HD) unit with cupro-nickel exchanger for improved performance in more challenging applications, like low pH, high flow or heavy use.

Ordering Information

Note:
The MasterTemp High Performance Heater is certified for low NOx emissions.

*Standard Copper Heat Exchanger
84% Efficient.

Heavy-Duty (HD) Cupro-Nickel Heat Exchanger 82% Efficient.

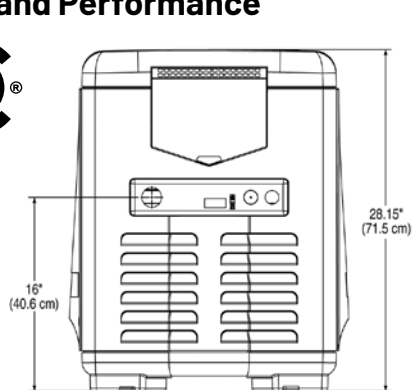
Product	Gas Type	BTU (000's)	Carton Wt. LBS
MASTERTEMP HEATERS			
461000	Natural	200 ASME	138
460771	Natural	250 ASME	140
461020	Natural	250 ASME HD	140
460775	Natural	400ASME	149
461021	Natural	400 ASME HD	149

*Savings amount based on lab testing conducted using MasterTemp 400® heater in conjunction with IntelliFlo® VSF Pump and Bypass Kit, which includes IntelliValve® controlled by heater. Test Conditions: Pump flow rate: 50gpm. Pump run time: 3000 hours/yr. Heater run time: 100 hours/yr. Electrical Cost: \$0.21 per kWh. System TDH: Heater and Bypass Kit added to Standardized "Curve C" System Curve performance data as per California Energy Commission Title 20 Appliance Efficiency Regulations. Test conditions assume pump flow rate of 50gpm and Constant Flow operation utilizing a lower motor RPM when flow is bypassing the heater due to lower system TDH. Actual performance and any subsequent energy consumption/savings are dependent upon various characteristics of the plumbing system, including but not limited to, pipe size, pipe lengths, filter type, fittings, system design, equipment run time/settings and more.

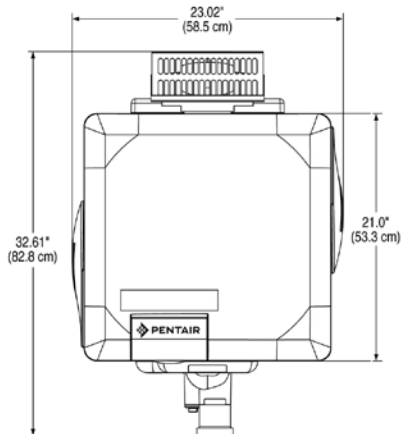
MASTERTEMP® ASME HEATER (CONT'D)

HIGH PERFORMANCE HEATERS

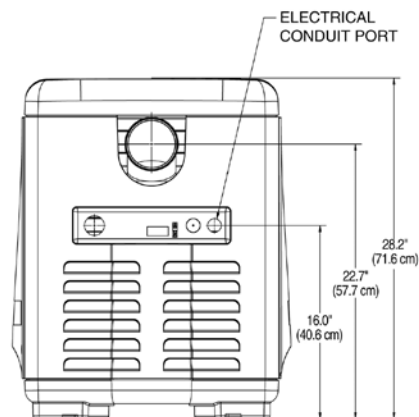
Dimensions and Performance



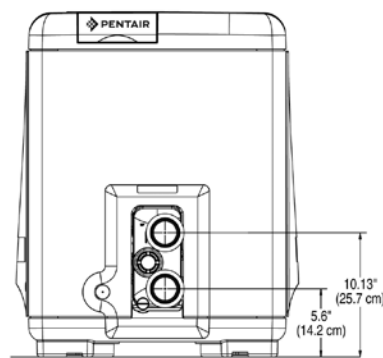
FRONT



TOP



EXHAUST SIDE



PLUMBING SIDE

POOL SIZING*

°F Temperature Change/ 24 Hrs.	Heater Size			Heater Size		
	Model 200	Model 250/250HD	Model 400/400HD	Model 200	Model 250/250HD	Model 400/400HD
	Pool Capacity in Gallons			Pool Surface Area in Sq. Ft. at 5.5' Depth		
5	97,383	121,729	194,766	2,364	2,955	4,727
10	48,691	60,864	97,383	1,182	1,478	2,364
15	32,461	40,576	64,922	788	985	1,576
20	24,346	30,433	48,691	591	739	1,182
25	19,477	24,346	38,953	473	591	945
30	16,230	20,288	32,461	394	493	788
35	13,912	17,390	27,824	338	423	675
40	12,173	15,216	24,346	295	369	591

SPA SIZING*

Model	Spa Volume (Gallons)								
	200	300	400	500	600	700	800	900	1,000
	Minutes for 30°F Temperature Rise (Heater Input in 1000 BTU/HR)								
200	18.0	27.0	35.0	44.0	53.0	62.0	71.0	80.0	89.0
250/250HD	15.8	23.5	30.8	38.5	46.5	54.3	62.0	70.0	77.8
400/400HD	9.0	13.0	18.0	22.0	27.0	31.0	35.0	40.0	44.0

MAX-E-THERM® ASME HEATER

POOL AND SPA HEATER

Featured Highlights

- Now with smart connectivity and energy-saving automation, it's easier than ever to get the pool warm and ready whenever it's needed.
- New automation functionality and ignition control module with flame strength sensor for always optimized performance.
- Eco-friendly Max-E-Therm Heater is certified for low NOx emission.
- Multi-position top panel allows digital display to be re-positioned for convenient operation.
- Tough, rustproof exterior handles the heat and weathers the elements.
- Certified for outdoor and indoor installations.
- **Optional Smart Heater Bypass valve control diverts water flow when the heater isn't needed to help save up to 35% in yearly operational costs.***



TRADEGRADE



Max-E-Therm Pool and Spa Heater

For indoor or outdoor installations on pools and spas. Features include an LCD temperature readout with dual thermostat controls, temperature safety lockout, and 6-position control panel. PMG burner technology requires no outdoor draft hood. Proven Dura-Glas Resin provides rust-proof construction. Heavy-duty (HD) unit with cupro-nickel exchanger for improved performance in more challenging applications, like low pH, high flow or heavy use.

Ordering Information

Product	Description	BTU (000's)	Carton Wt.
MAX-E-THERM POOL/SPA HEATER			
460767	Max-E-Therm 250 BTU ASME Natural Gas Heater	250	151
460768	Max-E-Therm 250 BTU ASME Propane Gas Heater	250	151
460763	Max-E-Therm 400 BTU ASME Natural Gas Heater	400	149
460764	Max-E-Therm 400 BTU ASME Propane Gas Heater	400	149

Note: The Max-E-Therm® Heater is certified for low NOx emissions. * Standard Copper Heat Exchanger 84% Efficient.

POOL SIZING*

°F Temperature Change/ 24 Hrs.	Heater Size		Heater Size		
	Model 250/250HD	Model 400/400HD	Model 200	Model 250/250HD	Model 400/400HD
	Pool Capacity in Gallons		Pool Surface Area in Sq. Ft. at 5.5' Depth		
5	121,729	194,766	2,364	2,955	4,727
10	60,864	97,383	1,182	1,478	2,364
15	40,576	64,922	788	985	1,576
20	30,433	48,691	591	739	1,182
25	24,346	38,953	473	591	945
30	20,288	32,461	394	493	788
35	17,390	27,824	338	423	675
40	15,216	24,346	295	369	591

CALIFORNIA PROPOSITION 65 WARNING
 ⚠️ WARNING: Cancer and Reproductive Harm.
 ⚠️ AVERTISSEMENT: Peut Causer le Cancer et des Dommages au Système Reproducteur.
 ⚠️ ADVERTENCIA: Cáncer y Daño Reproductivo.
www.p65warnings.ca.gov PHS 201714

SPA SIZING*

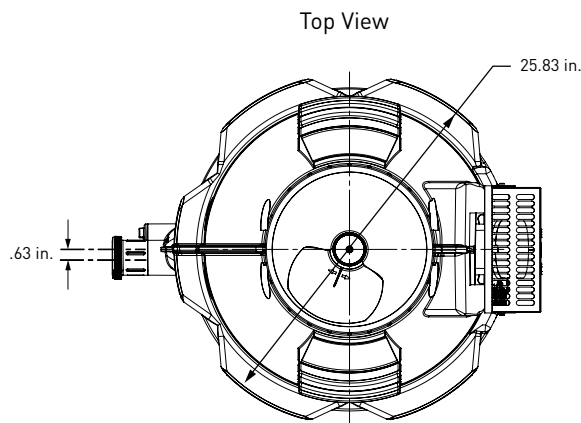
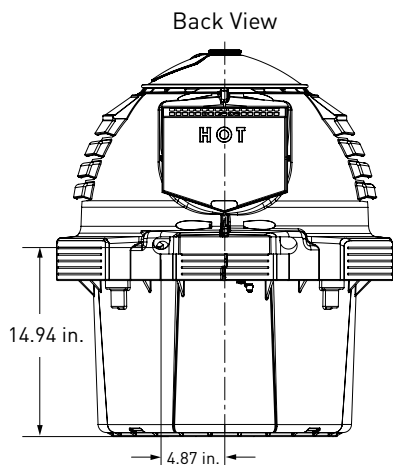
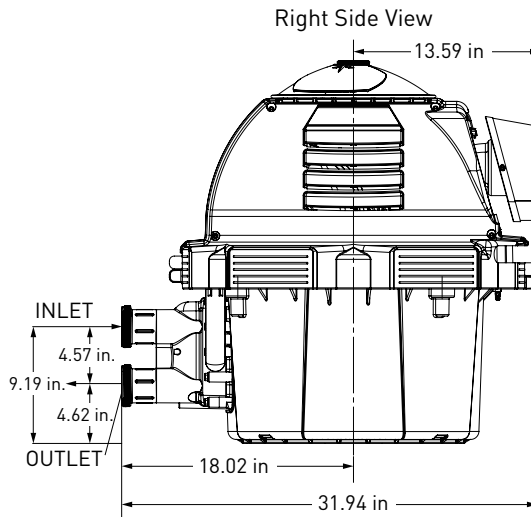
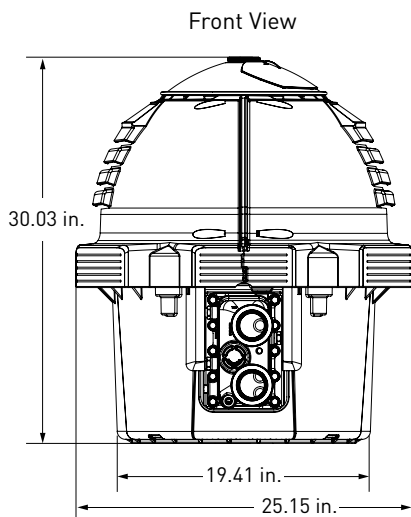
Model	Spa Volume (Gallons)								
	200	300	400	500	600	700	800	900	1,000
	Minutes for 30°F Temperature Rise (Heater Input in 1000 BTU/HR)								
250/250HD	15.8	23.5	30.8	38.5	46.5	54.3	62.0	70.0	77.8
400/400HD	9.0	13.0	18.0	22.0	27.0	31.0	35.0	40.0	44.0

*Savings amount based on lab testing conducted using MasterTemp 400® heater in conjunction with IntelliFlo® VSF Pump and Bypass Kit, which includes IntelliValve® controlled by heater. Test Conditions: Pump flow rate: 50gpm. Pump run time: 3000 hours/yr. Heater run time: 100 hours/yr. Electrical Cost: \$0.21 per kWh. System TDH: Heater and Bypass Kit added to Standardized "Curve C" System Curve performance data as per California Energy Commission Title 20 Appliance Efficiency Regulations. Test conditions assume pump flow rate of 50gpm and Constant Flow operation utilizing a lower motor RPM when flow is bypassing the heater due to lower system TDH. Actual performance and any subsequent energy consumption/savings are dependent upon various characteristics of the plumbing system, including but not limited to, pipe size, pipe lengths, filter type, fittings, system design, equipment run time/settings and more.

MAX-E-THERM® ASME HEATER (CONT'D)

POOL AND SPA HEATER

Dimensions and Performance



MAX-E-THERM® AND MASTERTEMP® HEATER ACCESSORIES

CALIFORNIA PROPOSITION 65 WARNING
 ⚠️ **WARNING:** Cancer and Reproductive Harm.
 ⚠️ **AVERTISSEMENT:** Peut Causer le Cancer et des Dommages au Système Reproducteur.
 ⚠️ **ADVERTENCIA:** Cáncer y Daño Reproductivo.
 www.p65warnings.ca.gov. PK320174

Featured Highlights

- Optional Smart Heater Bypass valve control diverts water flow when the heater isn't needed to help save up to 35% in yearly operational costs.*

Ordering Information

Product	Description	Approx. Ship. Weight (Lbs.)
VERTICAL VENTING – NEGATIVE PRESSURE		
77707-0076	4 in. x 6 in. Metal Flue Collar	3
77707-0077	4 in. x 8 in. Metal Flue Collar	3
HORIZONTAL OR VERTICAL VENTING – POSITIVE PRESSURE ⁴		
77707-0086	Appliance Adapter, Stainless Steel – Manufactured by HeatFab® venting manufactured by Selkirk Corp. *	3
77707-0087	Appliance Adapter, Stainless Steel – Manufactured by Z-Flex U.S. Venting	3

MAX-E-THERM® AND MASTERTEMP® HEATER ACCESSORIES (CONT'D)

Product	Description	Approx. Ship. Weight (Lbs.)
CONVERSION KITS – NATURAL GAS TO LPG		
461063	NG to LP Conversion Kit - Model 125	1
460794	NG to LP Conversion Kit - Model 175	1
77707-1461	Conversion Kit NG-LPG 200K for Pool and Spa Heater	1
460741	NG to Propane Conversion Kit – Model 250	1
460755	NG to Propane Conversion Kit – Model 300	1
77707-1451	Conversion Kit NG-LPG 333K for Pool and Spa Heater	1
77707-1441	Conversion Kit NG-LPG 400K for Pool and Spa Heater	1
CONVERSION KITS – LPG to NATURAL GAS		
461062	LP to NG Conversion Kit - Model 125	1
460795	LP to NG Conversion Kit - Model 175	1
77707-1431	Conversion Kit LPG-NG for 200K Pool and Spa Heater	1
460742	Propane to NG Conversion Kit – Model 250	1
460756	Propane to NG Conversion Kit – Model 300	1
77707-1421	Conversion Kit LPG-NG for 333K Pool and Spa Heater	1
77707-1411	Conversion Kit LPG-NG for 400K Pool and Spa Heater	1
HEATER ACCESSORIES		
42001-0085S	Heater Bolt Down Bracket Kit (Max-E-Therm)	1
460738	Heater Bolt Down Bracket Kit (MasterTemp)	1
PKG 188Z	Union Package (2" Unions)	1
474974	Union Package (1-1/2" Unions)	1
U11-197P	2 in. Adapter (for service loop)	1
461031	Direct Air Intake Duct Kit (MasterTemp)	5
475002	Direct Air Intake Duct Kit (Max-E-Therm)	5
474845	Direct Air Intake Duct Kit (MasterTemp 125)	5
SERVICE PROFESSIONAL PARTS KIT		
461100	Pro Service Package – Heater Master Package of Water & Electrical System Parts. Includes many common repair parts for Pentair & Sta-Rite heaters in reusable hard case ¹	5
461101	Pro Service Package – Heaters Electrical System Parts. Includes common Electrical System repair parts for Pentair & Sta-Rite heaters in reusable hard case ¹	3
461102	Pro Service Package – Heaters Water System Parts. Includes common Water System repair parts for Pentair & Sta-Rite heaters in reusable hard case ¹	3
461102	Smart Bypass Kit	

Combustion Air Intake 3 in. Pipe (Vertical or Horizontal)	
No. of 90° Elbows	Maximum Length in Feet (M)
0	70 ft. (21.3 M)
1	58 ft. (17.7 M)
2	46 ft. (14.0 M)
3	34 ft. (10.4 M)
4	22 ft. (6.7 M)

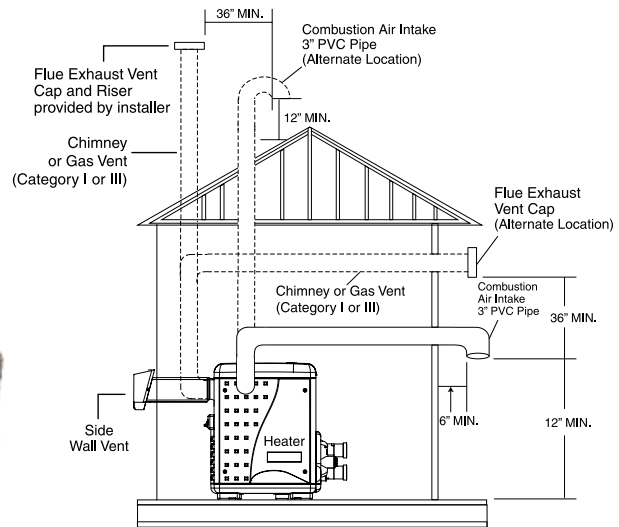
Direct Air Intake Kit

(includes: service panel with cut-out, air orifice adapter, short 3" PVC pipe, 3" PVC union, screened termination cap.)



PN 461031

PN 475002



Direct Air Intake Duct with 3-inch PVC Pipe (Indoor Installation)

¹ Compatible with Pentair MasterTemp® High Performance Heaters, Sta-Rite Max-E-Therm® High Performance Heaters, Models 175/200/250/300/333/400. Not compatible with 125,000 BTU heater

See Engineering Data pages 593–604 for information on selecting the proper size heater and for gas supply and pipe sizing information.

* HeatFab® is a registered trademark of Hart & Cooley, Inc.

*Savings amount based on lab testing conducted using MasterTemp 400® heater in conjunction with IntelliFlo® VSF Pump and Bypass Kit, which includes IntelliValve® controlled by heater. Test Conditions: Pump flow rate: 50gpm. Pump run time: 3000 hours/yr. Heater run time: 100 hours/yr. Electrical Cost: \$0.21 per kWh. System TDH: Heater and Bypass Kit added to Standardized "Curve C" System Curve performance data as per California Energy Commission Title 20 Appliance Efficiency Regulations. Test conditions assume pump flow rate of 50gpm and Constant Flow operation utilizing a lower motor RPM when flow is bypassing the heater due to lower system TDH. Actual performance and any subsequent energy consumption/savings are dependent upon various characteristics of the plumbing system, including but not limited to, pipe size, pipe lengths, filter type, fittings, system design, equipment run time/settings and more.

ULTRATEMP® HEAT PUMP

HIGH PERFORMANCE HEAT PUMP

TRADEGRADE



UltraTemp 120Q Heat Pump

UltraTemp heat pumps are manufactured with non-ozone depleting R410 refrigerant.

Featured Highlights

- 100% titanium heat exchanger assures corrosion-free performance for extra long life
- LCD control board displays an intuitive menu-driven read out with easy to follow full word messages...no more codes
- AutoSet (time clock over-ride) feature monitors water temperature and turns the water circulation pump on and off as needed to maintain desired pool temperatures
- Automatic defrost feature senses refrigerant temperature and prevents freezing, allowing the heat pump to operate at even lower temperatures
- Compatible with ALL automated control packages
- Long-life corrosion resistant plastic composite cabinet stands up to severe climates and pool chemicals
- ETL listed for safe operation
- Thermostatic Expansion Valve (TXV) controls refrigerant flow for optimum efficiency and BTU output over a wider operating range
- Highest efficiency available, meets or exceeds existing codes and standards
- BTU and efficiency performance independently certified by the Air-Conditioning, Heating and Refrigeration Institute, AHRI

Ordering Information

Part #		Model	80/80/80* BTU/COP	80/63/80* BTU/COP	50/63/80* BTU/COP	Freq (Hz)	Breaker Size (amp)	Phase	Volt	Ctn Qty.	Ctn Wt.	"A" Dim.
BLACK	ALMOND											
ULTRATEMP HEAT PUMPS												
460960	460930	70	75,000/5.9	70,000/5.7	50,000/4.0	60	40	1	230	1	290	33.5
460961	460931	90	90,000/5.8	85,000/5.6	60,000/4.0	60	50	1	230	1	300	33.5
460962	460932	110	110,000/6.1	101,000/5.8	70,000/4.0	60	50	1	230	1	271	45.5
460863	460833	120Q	127,000/5.7	120,000/5.5	80,000/4.0	60	50	1	230	1	270	48.1
460964	460934	140	145,000/5.8	135,000/5.6	90,000/4.0	60	50	1	230	1	335	45.5
460965	460935	120 H/C	125,000 Heat/5.5 71,000 Cool/4.1	118,000/5.3	80,000/4.0	60	50	1	230	1	283	45.5
460959	460958	140 H/C	140,000 Heat/5.6 71,000 Cool/4.1	132,000/5.4	85,000/4.0	60	50	1	230	1	344	45.5
460967	460937	120 C	122,000/5.5	114,000/5.3	76,000/4.0	60	50	3	230	1	264	45.5
460929	460928	140C	140,000/5.7	130,000/5.5	85,000/4.0	60	50	3	230	1	335	45.5

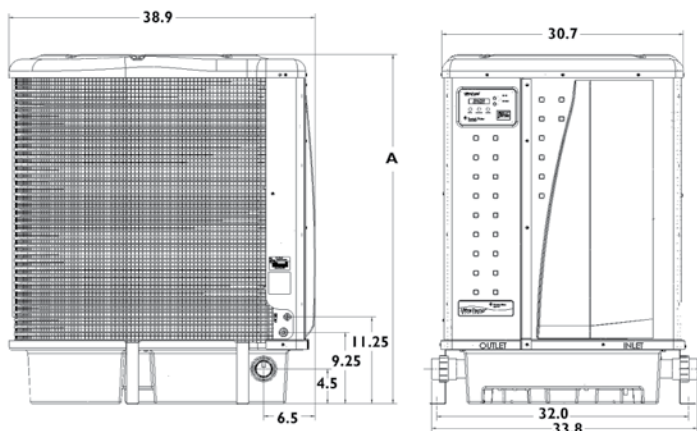
*Rating in accordance with ARI Standard 1160
(air temp. °F. / % relative humidity / water temp °F.)

CALIFORNIA PROPOSITION 65 WARNING

⚠️ **WARNING:** Cancer and Reproductive Harm.
 ⚠️ **AVERTISSEMENT:** Peut Causer le Cancer et des Dommages au Système Reproducteur.
 ⚠️ **ADVERTENCIA:** Cáncer y Daño Reproductivo.

www.p65warnings.ca.gov PH201714

Dimensions and Performance



The AHRI Certified® Mark is applied only to HVACR equipment and components that have been independently tested to certify manufacturers' performance claims are accurate. Visit www.ahrirectory.org for a complete list of certified products.

CEC indicates that Heat Pump has been evaluated to California Title-20, listed in the California Energy Commission's (CEC) database of compliant heat pumps, and certified to use on Residential Swimming Pool Filtration Systems.



ADA-COMPLIANT LIFTS



AQUATRAM® POOL ACCESS LIFTS

ADA-COMPLIANT COMMERCIAL POOL LIFTS



AquaTRAM 90+

AquaTRAM LT-2



AquaTRAM PT-2

AquaTRAM 360

Featured Highlights

- All AquaTRAM lifts comply with ADA Guidelines
- Dual flip-up arm rests provide easy and aids in a safer access
- Rechargeable battery-powered operation for easy use
- Comfortable seat with adjustable lap belt
- Simple-to-operate controls provide easy access in and out of pool
- Stainless steel with corrosion-resistant powder coated finish
- Lifting capacities up to 500 pounds
- Color options available

ADA Regulations mandate that most types of commercial swimming pools must have ADA-compliant pool lifts or other approved means of access installed. AquaTRAM pool access lifts aid in a safer and easier swimming pool access for swimmers with physical disabilities. With four versions to choose from, there is an AquaTRAM lift that fits every pool and budget. Standard features include simple to operate controls, rechargeable battery-powered operation and lifting capacities of up to 500 pounds.

Ordering Information

Product	Model	Carton Qty.	Carton Wt. (Lbs.)
AQUATRAM 90+ LIFT			
11420	AquaTRAM 90+ Lift with Quickset Dual Wedge Anchor	1	225
11420-A	AquaTRAM 90+ without Quickset Dual Wedge Anchor	1	220
11421	AquaTram 90+ Lift for Round Anchor Post with Anchor	1	225
11421-A	AquaTRAM 90+ for Round Anchor Post without Anchor	1	215
AQUATRAM LT-2 LIFT AND ANCHOR			
11430	AquaTRAM LT-2 Lift with Anchor Kit	1	170
11430-A	AquaTRAM LT-2 Lift Less Anchor Kit	1	160
AQUATRAM PT-2 LIFT			
11480	AquaTRAM PT-2 Lift with Sand Ballast (sand not included)	1	425
AQUATRAM 360			
11250	AquaTRAM 360 Lift with Anchor	1	365
11250-A	AquaTRAM 360 Lift without Anchor	1	350

Note: Not every lift will work for every application and pool profile. For example, the AquaTRAM and AquaTRAM LT lifts are not designed to clear high curbs or walls. To ensure that you are selecting an appropriate lift for your facility, please refer to our AquaTRAM verification guides or contact customer service for additional applications assistance. AquaTRAM verification guides are available on our website at www.pentair.com.

Note: For best efficiency please email your purchase orders to: paragoncustserv@pentair.com.

For information about AquaTRAM lift accessories, please contact your Pentair Representative.

AquaTRAM products may have extended lead-times and cannot be combined with any Pentair freight programs.

CALIFORNIA PROPOSITION 65 WARNING

⚠️ **WARNING:** Cancer and Reproductive Harm.
 ⚠️ **AVERTISSEMENT:** Peut Causer le Cancer et des Dommages au Système Reproducteur.
 ⚠️ **ADVERTENCIA:** Cáncer y Daño Reproductivo.

www.p65warnings.ca.gov
P65-00214

AQUATRAM® POOL ACCESS LIFTS

POOL LIFT ACCESSORIES

CHOOSE THE AQUATRAM LIFT THAT RISES TO YOUR NEEDS

Features and Benefits	AquaTRAM 90+	AquaTRAM 360 Lift with in-deck, tool-free anchoring	AquaTRAM LT-2 Lift with lag-bolt anchoring	AquaTRAM PT-2
Lifting capacity	400 lbs.	500 lbs.	350 lbs.	325 lbs.
ADA Compliant	✓	✓	✓	✓
Rotation for tight-area access	90° right or left	360°		90° right or left
Boom arm design adapts to the most demanding and specialized applications; superb reach and wall clearance	✓	✓		
Can serve 2 adjoining pools with 1 lift		✓		
Low-profile design uses minimal deck space	✓		✓	✓
22"-wide seat standard		✓		
Compact and lightweight, fits through most doorways	✓		✓	✓
Secure in-deck anchoring with patented design; tool-free removal; portable with optional Transport Cart	✓	✓		
Secure Docking Bar included to secure in place per ADA requirement				✓
Lag bolt anchoring, quick removal with tools; portable with optional Transport Cart			✓	
Dual flip-up armrests for easier access and aids in safer transfers	✓	✓	✓	✓
Adjustable & removable footrest fits users across a wide range of sizes	✓	✓	✓	✓
Adjustable lap belt with hook & eye fastening	✓	✓	✓	✓
Easy-to-use Slim Line controls can be operated from seat or pool ledge	✓	✓	✓	✓
Stainless steel construction, durable powder-coat finish	✓	✓	✓	✓
Battery-operated; easier to install & smoother transport than water power	✓	✓	✓	✓
Slim, one-piece 24V rechargeable battery	✓	✓	✓	✓
Submersible remote	✓	✓	✓	✓
5-year Limited Warranty (prorated after year 2 on electronics)		✓		✓
Lifetime Limited Warranty on frame		✓		
2-year Limited Warranty	✓		✓	
Solar Upgrade Option Available	✓		✓	
Plastics Color: Blue (standard) Tan Gray White	✓	✓	✓	✓
Powder Coat Color: White (standard) Tan Gray	✓	✓	✓	✓

AQUATRAM® POOL ACCESS LIFTS

POOL LIFT ACCESSORIES (CONT'D)

AQUATRAM 90+ LIFT

Pentair P/N	Description
11420	AquaTRAM 90+ Lift w/ Quickset Dual Wedge Anchor
11420-A	AquaTRAM 90+ Lift w/o Quickset Dual Wedge Anchor
11421	AquaTRAM 90+ Lift for Round Anchor Post w/Anchor
11421-A	AquaTRAM 90+ Lift for Round Anchor w/o Anchor
11222	AquaTRAM 90+ Lift Cover
11343	AquaTRAM 90+ Lift Transport Cart
11226	AquaTRAM 90+ Anchor for Round Post Model
11202	AquaTRAM 90+ Anchor for Square Post Anchor
11240	2-1/2"OD x 1.95" ID Anchor Adapter Sleeve
11241	2-3/8"OD x 1.95" ID Anchor Adapter Sleeve
11242	2-5/8"OD x 1.95" ID Anchor Adapter Sleeve
11243	Round Anchor for Wood-Framed Deck

AQUATRAM PT-2 LIFT

Pentair P/N	Description
11480	AquaTRAM PT-2 Lift w/ Sand Ballast (sand not incl.)
11285	AquaTRAM PT-2 Cover, Blue
11287	AquaTRAM PT-2 Accessory Upgrade Kit**
11289	Affixment Kit (contains docking bar and anchor)

**Includes cover, headrest, chest strap and extra battery

AQUATRAM SERIES SHARED OPTIONS & ACCESSORIES

Pentair P/N	Description
11206	AquaTRAM Adjustable Chest Strap
11208	AquaTRAM Pull-out Leg Rest
11211	AquaTRAM Replacement Battery (LINAk)
11277	AquaTRAM Replacement Charger (LINAk)
11212	AquaTRAM Replacement Battery (VITO)
11279	AquaTRAM Replacement Charger (VITO)
11213	AquaTRAM Replacement Footrest
11207	AquaTRAM Cycle Attachment
11305	AquaTRAM Replacement Seat w/ Arms
11215	AquaTRAM Replacement Seat Belt
11306	AquaTRAM Footrest

AQUATRAM LT-2 LIFT AND ANCHOR

Pentair P/N	Description
11430	AquaTRAM LT-2 Lift w/ Anchor Kit
11430-A	AquaTRAM LT-2 Lift Less Anchor Kit
11231	AquaTRAM LT-2 Anchor Kit only
11232	AquaTRAM LT-2 Transport Cart
11204	AquaTRAM Protective Cover
11205	Adjustable Headrest, AquaTRAM LT only
11270	AquaTRAM Replacement Hand Control
11271	AquaTRAM Replacement Control Box (LINAk)
11278	AquaTRAM Replacement Control Box (VITO)
11273	AquaTRAM Replacement Actuator Cover

AQUATRAM 360 LIFT AND ACCESSORIES

Pentair P/N	Description
11250	AquaTRAM 360 Lift w/ Anchor
11250-A	AquaTRAM 360 Lift without Anchor
11252	AquaTRAM 360 Anchor Kit w/ Cap
11257	AquaTRAM 360 Protective Cover
11254	AquaTRAM 360 Adjustable Headrest
11253	AquaTRAM 360 Transport Cart
11255	AquaTRAM 360 Sling Arm Option (500-lb. capacity)
11256-C	AquaTRAM 360 Replacement Sling Chain Set
11256	AquaTRAM 360 Replacement Sling (500-lb. capacity)
11256-B	AquaTRAM 360 Replacement Sling Bars
11258	AquaTRAM 360 Gurney Option
11260	AquaTRAM 360 Spine Board Option
11261	AquaTRAM 360 Head Immobilizer for Spine Board
11274	AquaTRAM 360 Replacement Hand Control, 4-Button
11275	AquaTRAM 360 Replacement Control Box
11276	AquaTRAM 360 Replacement Actuator
11259	AquaTRAM 360 Wheelchair Option, 22" Chair included

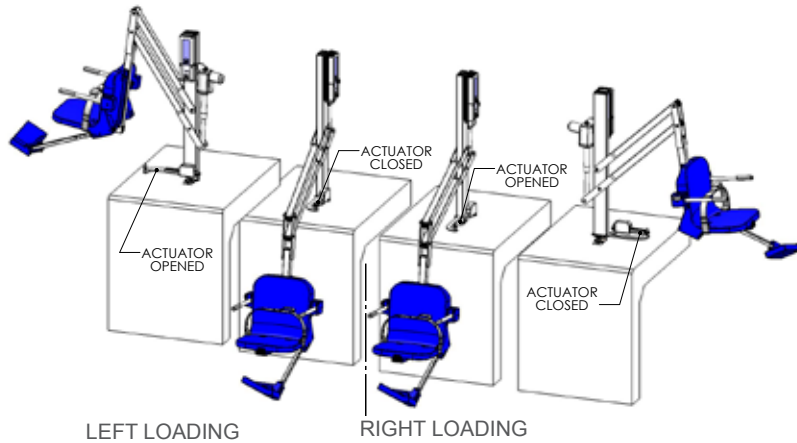
CALIFORNIA PROPOSITION 65 WARNING

⚠️ **WARNING:** Cancer and Reproductive Harm.
 ⚠️ **AVERTISSEMENT:** Peut Causer le Cancer et des Dommages au Système Reproducteur.
 ⚠️ **ADVERTENCIA:** Cáncer y Daño Reproductivo.
www.p65warnings.ca.gov

PA201714

AQUATRAM® POOL ACCESS LIFTS

ADA-COMPLIANT POOL LIFTS



LEFT LOADING

RIGHT LOADING

TO REVERSE THE LOADING POSITION, TURN THE POST 90° CCW FROM THE "LEFT" SIDE TO ALLOW LOADING ON THE RIGHT SIDE.



2-1/2" Square Post Anchor (Quickset)



1.95" Round Post Anchor (Standard)

CALIFORNIA PROPOSITION 65 WARNING

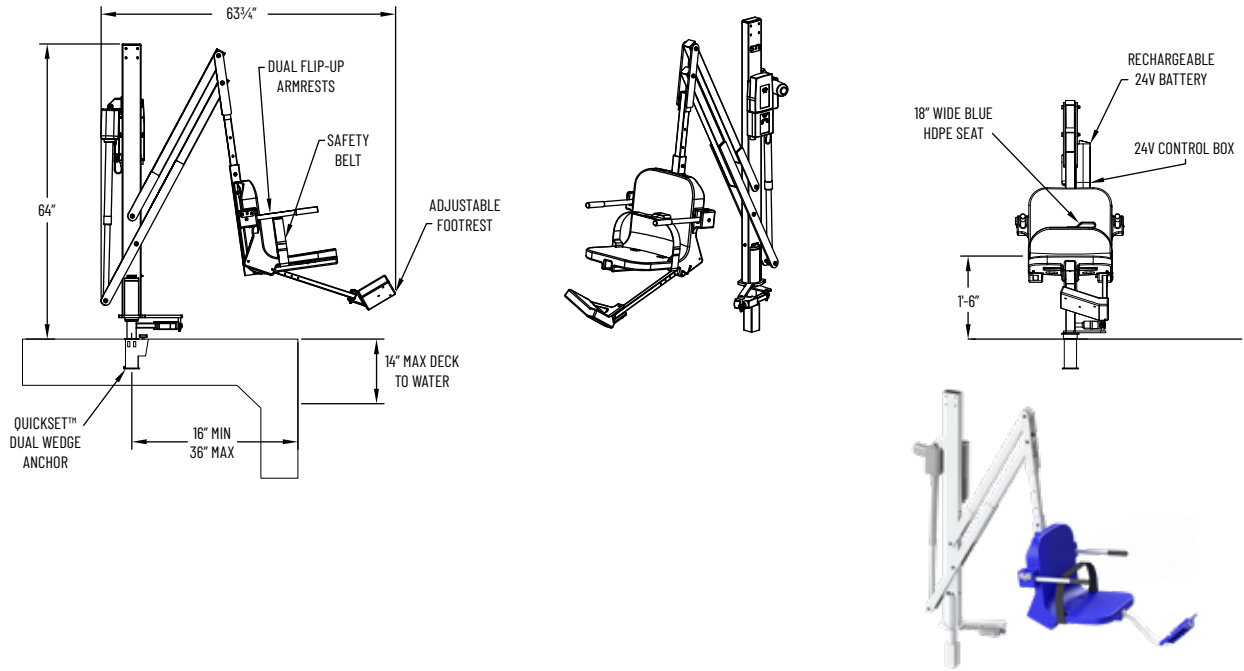
⚠️ **WARNING:** Cancer and Reproductive Harm.
 ⚠️ **AVERTISSEMENT:** Peut Causer le Cancer et des Dommages au Système Reproducteur.
 ⚠️ **ADVERTENCIA:** Cáncer y Daño Reproductivo.

www.p65warnings.ca.gov P652075A

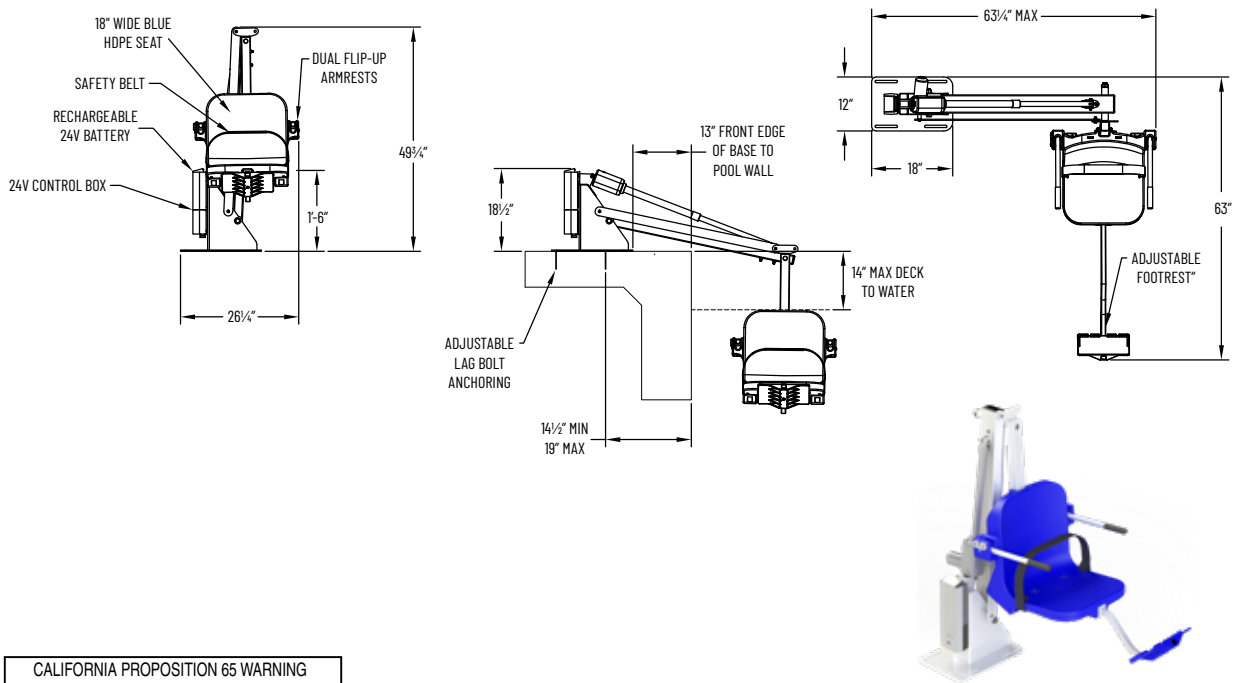
AQUATRAM® POOL ACCESS LIFTS

ADA-COMPLIANT POOL LIFTS

AQUATRAM 90+ LIFT



AQUATRAM LT-2 LIFT



CALIFORNIA PROPOSITION 65 WARNING

- ⚠ **WARNING:** Cancer and Reproductive Harm.
- ⚠ **AVERTISSEMENT:** Peut Causer le Cancer et des Dommages au Système Reproducteur.
- ⚠ **ADVERTENCIA:** Cáncer y Daño Reproductivo.

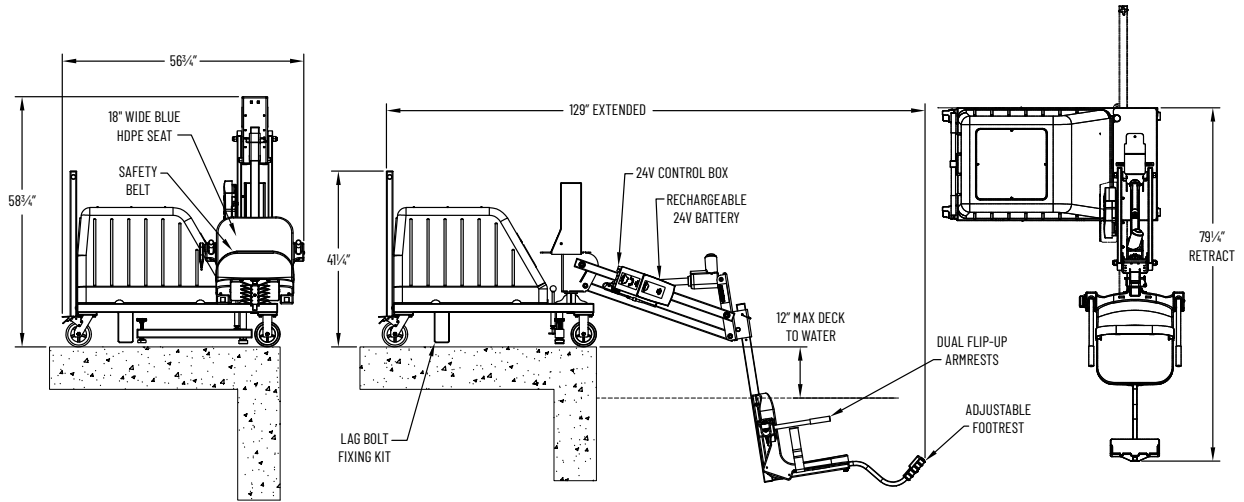
www.p65warnings.ca.gov

PR202174

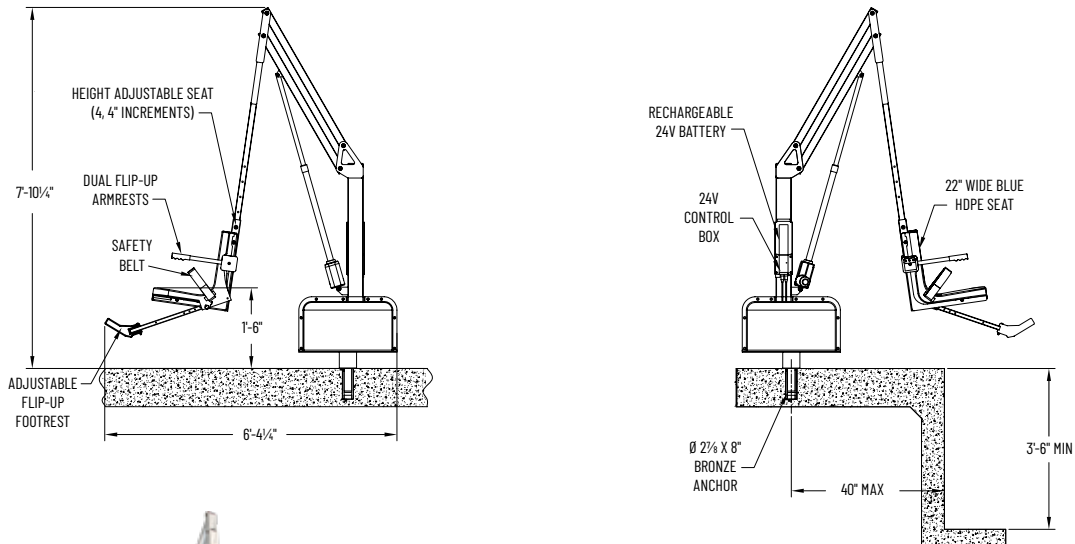
AQUATRAM® POOL ACCESS LIFTS

ADA-COMPLIANT POOL LIFTS

AQUATRAM PT-2



AQUATRAM 360 LIFT



CALIFORNIA PROPOSITION 65 WARNING

⚠ **WARNING:** Cancer and Reproductive Harm.
 ⚠ **AVERTISSEMENT:** Peut Causer le Cancer et des Dommages au Système Reproducteur.
 ⚠ **ADVERTENCIA:** Cáncer y Daño Reproductivo.

www.p65warnings.ca.gov

PARAGON™ DECK EQUIPMENT

POOL ACCESSORIES

For over 50 years, KDI Paragon products have been the flagship of the aquatics industry for quality, craftsmanship and innovation. We remain focused on the core values that helped make us the leader: we build to our customer's specifications with a commitment to custom products and continuous improvement; we provide superior customer service and communication by listening and being responsive to our partners in the aquatics industry, whether architects, engineers, distributors, contractors, facility managers or competitive swimming and diving professionals.



Track Start PLUS+™ is a modular concept that adds optional enhancements to new and existing Track Start starting platforms. These features will be factory installed if ordered with new Track Start platforms. The same kits, complete with mounting hardware and installation instructions will be provided for an easy retrofit in the field for existing platforms.



Track Start PLUS+™ STS Starting Platform features include:

- Modular concept enhancing swimmers performance with seamless upgrade to existing Quikset/Paralyte or Competitor style platforms
- Side-to-side adjustment for unimpeded rear access with or without a step
- Non-skid, white sand finish, UV inhibited polypropylene kick plate adjusts infinitely from side-to-side
- Color options available for frame and sand-finish kick plate. Call for more information.



Grab Rails:

- Grab rails come in pairs. They are used to keep racing lanes free from obstructions when used in conjunction with built-in steps.
- Figure 4 model shown to left. Pentair's most popular model. For flat deck without unusual curbs or coping.
- Many more styles available



Diving Towers and Stair Systems:

- Our diving towers offer significant differences to satisfy varying needs, including budgets, preferences, and job conditions.
- Sizes vary from 1/2 meter to 3 meters in height. Paraflyte towers are available in one meter and three meter models.
- Each tower is furnished with railings, rear anchor, front anchor, pedestal and fulcrum.

CALIFORNIA PROPOSITION 65 WARNING
 ⚠️ **WARNING:** Cancer and Reproductive Harm.
 ⚠️ **AVERTISSEMENT:** Peut Causer le Cancer et des Dommages au Système Reproducteur.
 ⚠️ **ADVERTENCIA:** Cáncer y Daño Reproductivo.
www.p65warnings.ca.gov PA12017A

PARAGON™ DECK EQUIPMENT

POOL ACCESSORIES

Griff's Vision Guard Station™

- Minimum footprint; maximum impact
- Lighter; less costly; ships flat
- 3 heights available



All Terrain Griff's Guard Station®

- Most versatile guard chair ever
- Super portable - tip and roll with ease over any terrain
- Front and back guard access



Custom-Made Railings

We will fabricate railings to your specifications whenever custom fabricated, corrosion-resistant, stainless steel railings are required. Can be used for any pool application including entry, ADA compliant, stairs, deck guards and diving towers. Design and engineering support are readily available.

Our railings are manufactured and verified to meet your project's unique specifications. All rails are factory welded and are shipped ready for installation requiring no field cutting, drilling or modifications.



We manufacture most rail goods in 1.90" O.D. stainless steel tubing, and have extensive experience manufacturing custom rails in 1.50" O.D. as well. If rails are not being installed directly into the concrete, anchor sockets are available to accommodate 1.90" and 1.50" rails.

For our complete Paragon Deck Equipment product line, contact Customer Service and request a Paragon Deck Catalog (part #PCA-103).

CALIFORNIA PROPOSITION 65 WARNING
⚠️ WARNING: Cancer and Reproductive Harm.
⚠️ AVERTISSEMENT: Peut Causer le Cancer et des Dommages au Système Reproducteur.
⚠️ ADVERTENCIA: Cáncer y Daño Reproductivo.
www.p65warnings.ca.gov. P65-2017-1A



PENTAIR

LIGHTING



INTELLIBRITE® 5G WHITE LED LIGHTS

UNDERWATER LED LIGHTS FOR SWIMMING POOLS AND SPAS

TRADEGRADE



IntelliBrite 5g White LED Pool Light

IntelliBrite 5g White LED light offers a brighter, more energy efficient alternative to incandescent white lighting. Utilizing its array of LEDs, it is also ideal for commercial applications.

All Pentair UL Listed underwater lights are certified for use in fresh water with up to 6,000 ppm salinity.

Featured Highlights

- Utilizing less energy than comparable incandescent lights.
- Energy efficient utilizing up to 86% less energy than comparable incandescent lights
- Unique lens geometry and innovative reflector design combine to create a wider beam and more uniform light distribution
- Pool lens can be rotated to 180 degrees to provide wide beam pattern (standard) or narrow beam pattern
- Compatible with Pentair stainless steel and plastic niches
- Available in 120V and 12V versions
- Available in 300W, 400W, and 500W incandescent equivalencies

CALIFORNIA PROPOSITION 65 WARNING

⚠️ **WARNING:** Cancer and Reproductive Harm.
 ⚠️ **AVERTISSEMENT:** Peut Causer le Cancer et des Dommages au Système Reproducteur.
 ⚠️ **ADVERTENCIA:** Cáncer y Daño Reproductivo.
www.p65warnings.ca.gov

Ordering Information for Pool Lights

Product	Voltage	Wattage	Cord Length (Ft.)	Incandescent Equivalency	Primary Listing and Certifications	Carton Qty.	Carton Wt. (Lbs.)
INTELLIBRITE 5g WHITE POOL LIGHTS – 300 WATT EQUIVALENT, 120 VOLT							
601100	120V	40	30	300W	UL, cUL, CSA	1	
601101	120V	40	50	300W	UL, cUL, CSA	1	
601102	120V	40	100	300W	UL, cUL, CSA	1	
601103	120V	40	150	300W	UL, cUL, CSA	1	
601104	120V	40	250	300W	UL, cUL, CSA	1	
INTELLIBRITE 5g WHITE POOL LIGHTS – 300 WATT EQUIVALENT, 12 VOLT							
601105	12V	40	30	300W	UL, cUL, CSA	1	
601106	12V	40	50	300W	UL, cUL, CSA	1	
601107	12V	40	100	300W	UL, cUL, CSA	1	
601108	12V	40	150	300W	UL, cUL, CSA	1	
INTELLIBRITE 5g WHITE POOL LIGHTS – 400 WATT EQUIVALENT, 120 VOLT							
601200	120V	48	30	400W	UL, cUL, CSA	1	
601201	120V	48	50	400W	UL, cUL, CSA	1	
601202	120V	48	100	400W	UL, cUL, CSA	1	
601203	120V	48	150	400W	UL, cUL, CSA	1	
601204	120V	48	250	400W	UL, cUL, CSA	1	
INTELLIBRITE 5g WHITE POOL LIGHTS – 400 WATT EQUIVALENT, 12 VOLT							
601205	12V	48	30	400W	UL, cUL, CSA	1	
601206	12V	48	50	400W	UL, cUL, CSA	1	
601207	12V	48	100	400W	UL, cUL, CSA	1	
601208	12V	48	150	400W	UL, cUL, CSA	1	
INTELLIBRITE 5g WHITE POOL LIGHTS – 500 WATT EQUIVALENT, 120 VOLT							
601300	120V	55	30	500W	UL, cUL, CSA	1	
601301	120V	55	50	500W	UL, cUL, CSA	1	
601302	120V	55	100	500W	UL, cUL, CSA	1	
601303	120V	55	150	500W	UL, cUL, CSA	1	
601304	120V	55	250	500W	UL, cUL, CSA	1	
INTELLIBRITE 5g WHITE POOL LIGHTS – 500 WATT EQUIVALENT, 12 VOLT							
601305	12V	55	30	500W	UL, cUL, CSA	1	
601306	12V	55	50	500W	UL, cUL, CSA	1	
601307	12V	55	100	500W	UL, cUL, CSA	1	
601308	12V	55	150	500W	UL, cUL, CSA	1	

NOTE: Appearance of color and white LED light may vary between various models of lights. Appearance and perception of pool lighting may vary depending on a number of factors including, but not limited to, the particular model of light, the location/depth/angle of the light's installation, pool finish/material, pool depth/shape/geometry, ambient light sources, subjective factors and more. For best results when using multiple lights, use all the same model and do not mix multiple models of lights within a single installation.

INTELLIBRITE® 5G WHITE LED LIGHTS (CONT'D)

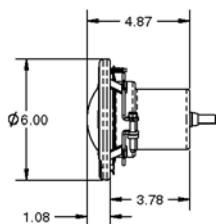
UNDERWATER LED LIGHTS FOR SWIMMING POOLS AND SPAS

Ordering Information for Spa Lights

Product	Voltage	Wattage	Cord Length (Ft.)	Incandescent Equivalency	Primary Listing and Certifications	Carton Qty.	Carton Wt. (Lbs.)
INTELLIBRITE 5g WHITE SPA LIGHTS - 120 VOLT							
640140	120V	18W	30	100W	UL, cUL	1	6.5
640141	120V	18W	50	100W	UL, cUL	1	8
640142	120V	18W	100	100W	UL, cUL	1	12
640143	120V	18W	150	100W	UL, cUL	1	16
640144	120V	18W	250	100W	UL, cUL	1	25
INTELLIBRITE 5g WHITE SPA LIGHTS - 12 VOLT							
640150	12V	18W	30	100W	UL, cUL	1	5.5
640151	12V	18W	50	100W	UL, cUL	1	7
640152	12V	18W	100	100W	UL, cUL	1	11
640153	12V	18W	150	100W	UL, cUL	1	18

Warning: The IntelliBrite White LED light cannot be used with a dimmer circuit. Using a dimmer switch will result in permanent damage to the light.

Dimensions and Certifications



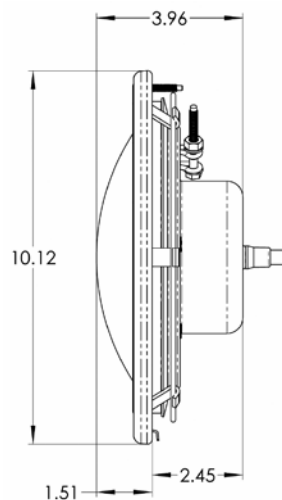
IntelliBrite White Spa Light Dimensions

Note: All 120 volt pool and spa lights must be connected to a branch circuit protected by a ground fault circuit interrupter (GFCI).

¹**Notice:** Underwriters Laboratories has listed Pentair Water Pool and Spa, Inc. lights for use with Pentair Water Pool and Spa, Pentair Pool Products, American Products, Purex, or PacFab niches ONLY. To ensure proper grounding/bonding connections install only Pentair Water Pool and Spa lights in Pentair, Water Pool and Spa, Pentair Pool Products, American Products, Purex or PacFab niches only.

Note: **IntelliBrite Pool Sized Lights** can be utilized to replace: **Sta-Rite:** SunSaver¹, SunBrite¹, SunGlow¹. **American Products:** Amerlite¹. **Purex-Triton:** SunRay¹, Pool Star¹, Hatteras¹. **PacFab:** Spectrum Amerlite¹ (SAM), AmerQuartz¹, and most lights that are 10.12" across. To ensure proper grounding of replacement lights, please see the notice directly above.

IntelliBrite Spa Sized Light can be utilized to replace: **Sta-Rite:** SunBurst¹. **American Products:** Hi-Lite¹, Aqua-Light¹, Spa Brite¹. **Purex-Triton:** SunRise¹. **PacFab:** Spectrum Aqualight¹ (SAL). To ensure proper grounding of replacement lights, please see the notice directly above.



IntelliBrite White Pool Light Dimensions

CALIFORNIA PROPOSITION 65 WARNING

⚠️ **WARNING:** Cancer and Reproductive Harm.
 ⚠️ **AVERTISSEMENT:** Peut Causer le Cancer et des Dommages au Système Reproducteur.
 ⚠️ **ADVERTENCIA:** Cáncer y Daño Reproductivo.

www.p65warnings.ca.gov
PN 201744

GLOBRITE® WHITE LED LIGHTS

UNDERWATER LED LIGHTS FOR SWIMMING POOLS AND SPAS

TRADEGRADE



GloBrite LED Light
Fiberglass Niche



GloBrite LED Light
Vinyl Niche



GloBrite LED Light
Gunite/Concrete Niche

Featured Highlights

- Advanced technology for energy-efficient high quality pool lighting.
- Can be placed in as little as 4 in. of water even in the floor pointing up
- Does not require grounding or bonding for quick and easy installations
- Compatible with all Pentair Lighting Controllers and Automation Systems for advanced control features
- Compatible with gunite/concrete, fiberglass and vinyl pools

GloBrite LED lighting is a brilliant way to showcase your backyard oasis and highlight pool features like sun shelves, steps, beach entries and bubblers.

Note: Only GloBrite **white** lights have two dimming levels. GloBrite color lights cannot be dimmed.

Product	Voltage	Wattage	Cord Length (Ft.)	Carton Qty.	Carton Wt. (Lbs.)
GLOBRITE WHITE LED LIGHTS					
602102	12	15W	30	1	5
602103	12	15W	50	1	6
602104	12	15W	100	1	9
602105	12	15W	150	1	12

Ordering Information

Product	Description	Carton Qty.	Carton Wt. (Lbs.)
GLOBRITE NICHES			
620040	Gunite/Concrete Niche for GloBrite (includes white, blue, black, gray and tan rings)	1	1.3
620039	Vinyl Niche for GloBrite (includes white, blue, and gray rings)	1	1.3
620041	Fiberglass Niche for GloBrite (white)	1	1.3
620093	Fiberglass Niche for GloBrite (blue)	1	1.3
620094	Fiberglass Niche for GloBrite (gray)	1	1.3
GLOBRITE WHITE KITS, INCLUDING NICHE & TRANSFORMER			
602106	2 GloBrite White 100 ft. with 300W Transformer + 2 Gunite Niches	1	40
602107	2 GloBrite White 100 ft. with 300W Transformer + 2 Fiberglass Niches	1	40
602108	2 GloBrite White 100 ft. with 300W Transformer + 2 Vinyl Niches	1	40
TRANSFORMERS (LANDSCAPE AND POOL RATED)			
619962	120V Input, 12-14V Output, 100W	1	12
619963	120V Input, 12-14V Output, 300W	1	12
ACCESSORIES			
620314	GloBrite LED Light Glare Shield		
602136	Replacement Face Ring Kit for GloBrite Vinyl Liner Niche, Blue*		
602137	Replacement Face Ring Kit for GloBrite Vinyl Liner Niche, Gray*		
602138	Replacement Face Ring Kit for GloBrite Vinyl Liner Niche, White*		

* Includes three (3) faceplates in specified color, three (3) gaskets, twelve (12) screws. Each kit can fully equip three (3) GloBrite lights with new faceplates, gaskets and screws.



All Pentair UL Listed underwater lights are certified for use in fresh water with up to 6,000 ppm salinity.

NOTE: Appearance of color and white LED light may vary between various models of lights. Appearance and perception of pool lighting may vary depending on a number of factors including, but not limited to, the particular model of light, the location/depth/angle of the light's installation, pool finish/material, pool depth/shape/geometry, ambient light sources, subjective factors and more. For best results when using multiple lights, use all the same model and do not mix multiple models of lights within a single installation.

CALIFORNIA PROPOSITION 65 WARNING

⚠️ **WARNING:** Cancer and Reproductive Harm.
 ⚠️ **AVERTISSEMENT:** Peut Causer le Cancer et des Dommages au Système Reproducteur.
 ⚠️ **ADVERTENCIA:** Cáncer y Daño Reproductivo.

www.p65warnings.ca.gov. PA20211A

MICROBRITE®

WHITE LED LIGHT

Featured Highlights

- Energy-saving, LED efficiency from the industry's most compact 12V LED plastic light
- Only 3.5 inches long, fits into narrow walls and tight spaces, can be installed horizontally or vertically
- No niche required — installs in any standard 1.5 inch pool wall fitting
- Connect to any Pentair control system or the Pentair Color Sync™ Controller



MicroBrite Color and White LED Light

TRADEGRADE



All Pentair UL Listed underwater lights are certified for use in fresh water with up to 6,000 ppm salinity.

Give pools a brilliant lighting upgrade without the installation difficulties. Only 3.5-in. long, MicroBrite lights fit easily into standard 1.5-in. wall fittings and are suitable for retrofit into many pools with older fiber optic systems.

Ordering Information

Product	Description	Color	Lights	Cord Length	Voltage	Watts
MICROBRITE LED LIGHT						
620428	MicroBrite Light	White LED	One	50'	12V	14W
620429	MicroBrite Light	White LED	One	100'	12V	14W
620430	MicroBrite Light	White LED	One	150'	12V	14W
602165	MicroBrite-G Light	White LED, for installation in Pentair GloBrite Niche or Pentair ColorVision Bubbler	One	150'	12V	14W
620457	MicroBrite Light	Warm White LED	One	100'	12V	14W
602155	MicroBrite Light	Warm White LED	One	150'	12V	14W
602167	MicroBrite-G Light	Warm White LED, for installation in Pentair GloBrite Niche or Pentair ColorVision Bubbler	One	150'	12V	14W
602157	MicroBrite Light	Turtle Edition*	One	150'	12V	14W
MICROBRITE COMBO KITS WITH 300 WATT TRANSFORMER						
602131	MicroBrite 2 Light Combo Kit	White LED	Two	100'	12V	
602132	MicroBrite 2 Light Combo Kit	Warm White LED	Two	100'	12V	
602134	MicroBrite 4 Light Combo Kit	White LED	Four	100'	12V	
602135	MicroBrite 4 Light Combo Kit	Warm White LED	Four	100'	12V	

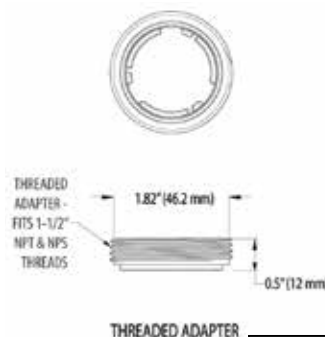
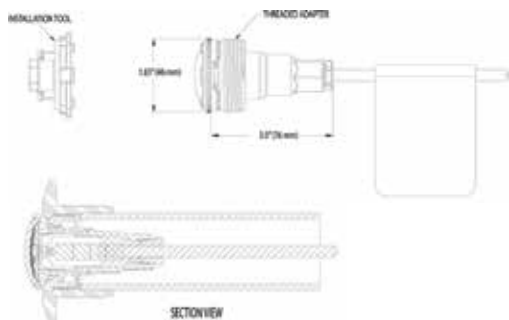
*620nm red/orange light, for special oceanfront pool applications in certain areas with regulations intended to protect sea turtles.

Note: A 300W transformer is included in each combo kit. Transformer is 120V input, 12V-14V output.

Product	Description
REPLACEMENT KITS	
620460	MicroBrite Light Adaptor, Replacement
620459	Installation Tool, Replacement. (Hex/Wrench Style)
602158Z	Installation Tool, Replacement (Hand/Grip Style)
620463	Conduit Seal O-Ring, Replacement
618040	Adapter for MicroBrite to GloBrite

Product	Voltage	Wattage
TRANSFORMERS (LANDSCAPE POOL RATED)		
619962	120V Input, 12-14V Output	100W
619963	120V Input, 12-14V Output	300W

Dimensions and Certifications



Note: Appearance of color and white LED light may vary between various models of lights. Appearance and perception of pool lighting may vary depending on a number of factors including, but not limited to, the particular model of light, the location/depth/angle of the light's installation, pool finish/material, pool depth/shape/geometry, ambient light sources, subjective factors and more. For best results when using multiple lights, use all the same model and do not mix multiple models of lights within a single installation.

CALIFORNIA PROPOSITION 65 WARNING

⚠ **WARNING:** Cancer and Reproductive Harm.
 ⚠ **AVERTISSEMENT:** Peut Causer le Cancer et des Dommages au Système Reproducteur.
 ⚠ **ADVERTENCIA:** Cáncer y Daño Reproductivo.

www.p65warnings.ca.gov
PH 201714

SLIMLITE™ 5G LED LIGHTS

UNDERWATER COMMERCIAL LIGHTS



Slimlite Underwater Commercial Lights

Slimlite 5g LED light offers a shallow niche design simplifying concrete wall installation, and a robust, powder-coated protective grille.

Featured Highlights

- Retrofits into existing Paragon™ Slimlite niches
- Slim design: 10" diameter light utilizes a 4" deep niche for simplified installation in concrete pool walls
- Powder-coated, cast bronze, protective grille
- Energy efficient utilizing up to 86% less energy than comparable halogen bulbs
- Integrated lens geometry and innovative reflector design create a wider beam and more uniform light distribution
- UL Listed

CALIFORNIA PROPOSITION 65 WARNING
 ⚠️ **WARNING:** Cancer and Reproductive Harm.
 ⚠️ **AVERTISSEMENT:** Peut Causer le Cancer et des Dommages au Système Reproducteur.
 ⚠️ **ADVERTENCIA:** Cáncer y Daño Reproductivo.
www.p65warnings.ca.gov PA/20231A

Ordering Information

Product	Voltage	Cord Length (Ft.)	Incandescent Equivalency	Carton Qty.	Carton Wt.
SLIMLITE 5G WITH POWDER-COATED GRILLE – 500 WATT, 120 VOLT					
56400	120V	30	500W Equivalency	1	16
56401	120V	50	500W Equivalency	1	17.5
56402	120V	100	500W Equivalency	1	22
56403	120V	150	500W Equivalency	1	26.5
56404	120V	250	500W Equivalency	1	35.5

Warning: The Slimlite LED light cannot be used on a dimmer circuit. Using a dimmer switch will result in permanent damage to the light.

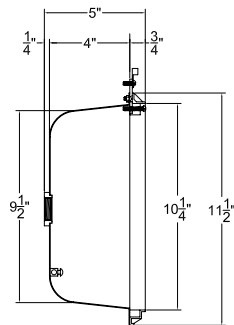
Note: All 120 volt pool and spa lights must be connected to a branch circuit protected by a ground fault circuit interrupter (GFCI).

Notice: Underwriters Laboratories has listed Pentair Slimlite lights for use with Slimlite and Paragon Slimlite niches ONLY.

Slimlite 5G Model	Watts
500 equiv.	55

Dimensions and Certifications

NICHERS FOR SLIMLITE 5G LIGHTS	
CONCRETE	500W
3/4"	56503
1"	56504



Slimlite Niche Dimensions

AMERLITE®

UNDERWATER INCANDESCENT LIGHTS WITH S/S FACE RINGS

TRADEGRADE

Featured Highlights

- A standard of reliability
- Stainless steel face ring with uni-tension clamp
- Prismatic tempered lens
- Low water cutoff
- Medium blue lenses available
- Plastic snap-on face rings available for s/s lights

Amerlite light, a standard of reliability for underwater lights, features a stainless steel shell, 8-3/8 in. prismatic tempered glass lens, and stainless steel face ring with uni-tension clamp. Amerlite lights are UL listed to install in full-sized Pentair Pool Products, American, PacFab and Purex niches.



Amerlite Incandescent Light

CALIFORNIA PROPOSITION 65 WARNING

⚠️ **WARNING:** Cancer and Reproductive Harm.
 ⚠️ **AVERTISSEMENT:** Peut Causer le Cancer et des Dommages au Système Reproducteur.
 ⚠️ **ADVERTENCIA:** Cáncer y Daño Reproductivo.
www.p65warnings.ca.gov

All Pentair UL Listed underwater lights are certified for use in fresh water with up to 6,000 ppm salinity.

Ordering Information

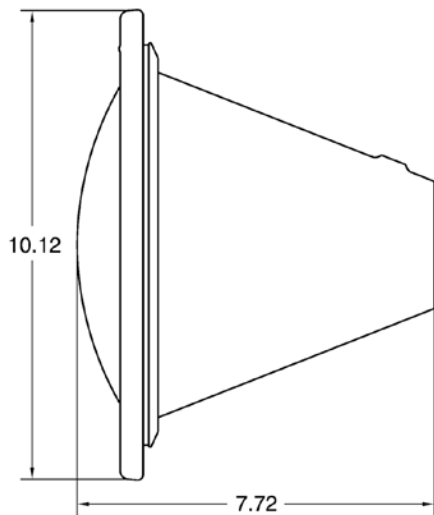
Product	Voltage	Wattage	Cord Length (Ft.)	Carton Qty.	Carton Wt. (Lbs.)
AMERLITE WITH STAINLESS STEEL FACE RING – 300 WATT, 120 VOLT					
78421100	120	300	15	1	6
78428100	120	300	50	1	10
78928500	120	300	100	1	15
78927000	120	300	150	1	20
78927900	120	300	200	1	25
AMERLITE WITH STAINLESS STEEL FACE RING – 400 WATT, 120 VOLT					
78441100	120	400	15	1	6
78448100	120	400	50	1	10
78949100	120	400	100	1	15
78447100	120	400	150	1	20
78449100	120	400	200	1	25
AMERLITE WITH STAINLESS STEEL FACE RING – 500 WATT, 120 VOLT					
78451100	120	500	15	1	6
78458100	120	500	50	1	10
78456300	120	500	100	1	15
78457100	120	500	150	1	20
78459100	120	500	200	1	25
78458300	120	500	250	1	35
AMERLITE WITH STAINLESS STEEL FACE RING – 100 WATT, 12 VOLT					
78411100	12	100	15	1	6
78418100	12	100	50	1	10
78415100	12	100	100	1	15

AMERLITE® (CONT'D)

UNDERWATER INCANDESCENT LIGHTS WITH S/S FACE RINGS

Product	Voltage	Wattage	Cord Length (Ft.)	Carton Qty.	Carton Wt. (Lbs.)
AMERLITE WITH STAINLESS STEEL FACE RING – 300 WATT, 12 VOLT					
78431100	12	300	15	1	10
78438100	12	300	50	1	17
78435100	12	300	100	1	20
STAINLESS STEEL AMERLITE WITH MEDIUM BLUE LENS – 400 WATT, 120 VOLT					
78444200	120	400	30	1	8
78448200	120	400	50	1	10
78950100	120	400	100	1	15
STAINLESS STEEL AMERLITE WITH MEDIUM BLUE LENS – 500 WATT, 120 VOLT					
78454200	120	500	30	1	8
78458200	120	500	50	1	10
78958500	120	500	100	1	15
AMERLITE WITH STAINLESS STEEL FACE RING - CANADIAN LIGHT					
78453102	120	500	30	4	11
LENS, COVERS, AND FACE RINGS FOR AMERLITE					
79100100	Clear Lens, tempered			1	1
79100200	Medium Blue Lens, tempered			1	1/2
78900100	Plastic Snap-on Color Lens Kit (Blue, Green, Red)			1	1
79110600	Stainless Steel Face Ring			1	1/2
79213100	Plastic Snap-on face ring (White), Qty. 24			24	2
79212165	Plastic Snap-on face ring (Gray) Qty. 1			1	1/2
79212111	Plastic Snap-on face ring (Black) Qty. 1			1	1/2

Dimensions and Certifications



Note: All 120 volt pool and spa lights must be connected to a branch circuit protected by a ground fault circuit interrupter (GFCI).

Note: All cord lengths over 50 feet on 12 volt lights create resistance that dramatically reduces the light output. This condition exists on all low voltage lights regardless of design or manufacturer.

Notice: Underwriters Laboratories has listed Pentair Water Pool and Spa, Inc. lights for use with Pentair Water Pool and Spa, Pentair Pool Products, American Products, Purex, or PacFab niches ONLY. To ensure proper grounding/bonding connections install only Pentair Water Pool and Spa lights in Pentair, Water Pool and Spa, Pentair Pool Products, American Products, Purex or PacFab niches only.

Note: **Amerlite** Incandescent Lights can be utilized to replace: **Sta-Rite:** SunSaver, SunGlow. **Purex-Triton:** Hatteras. **PacFab:** AmerQuartz, Spectrum Amerlite (SAM). To ensure proper grounding of replacement lights, please see the notice directly above.

CALIFORNIA PROPOSITION 65 WARNING

⚠️ **WARNING:** Cancer and Reproductive Harm.
 ⚠️ **AVERTISSEMENT:** Peut Causer le Cancer et des Dommages au Système Reproducteur.
 ⚠️ **ADVERTENCIA:** Cáncer y Daño Reproductivo.

www.p65warnings.ca.gov. PB 201514

PENTAIR SMALL STAINLESS STEEL NICHES

NICHES FOR SWIMMING POOLS AND SPAS

Featured Highlights

- Stainless steel housing
- Brass hub: 1/2, 3/4, 1 in.
- Internal/external bonding lugs
- Vinyl niches with chrome/brass sealing rings
- Niches for all installations
- Sandwich gasket for vinyl



Pentair Small Niches

Small stainless steel niches are formed with brass fittings. All niches have internal and external bonding lugs and can be used with either metal or PVC conduit.

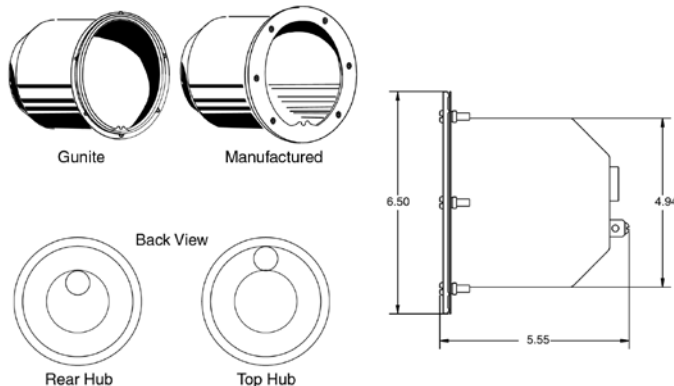
CALIFORNIA PROPOSITION 65 WARNING

⚠ **WARNING:** Cancer and Reproductive Harm.
 ⚠ **AVERTISSEMENT:** Peut Causer le Cancer et des Dommages au Système Reproducteur.
 ⚠ **ADVERTENCIA:** Cáncer y Daño Reproductivo.
www.p65warnings.ca.gov

Ordering Information

Product	Description	Carton Qty.	Carton Wt. (Lbs.)
SMALL STAINLESS STEEL NICHES FOR CONCRETE INSTALLATION			
78243200	Concrete pools or spas, 3/4 in. top hub	1	2
78244200	Concrete pools or spas, 3/4 in. rear hub	1	2
78243300	Concrete pools or spas, 1 in. top hub	1	2
78244300	Concrete pools or spas, 1 in. rear hub	1	2
MANUFACTURED POOLS, SPAS & TUBS INSTALLATION			
78242200	Manufactured pools, spas & tubs, 3/4 in. rear hub	1	3
78242300	Manufactured pools, spas & tubs, 1 in. rear hub	1	3
SMALL STAINLESS STEEL NICHE SHIELD			
45361500	Niche shield for SpaBrite/AquaLight Niche	1	0.25
VINYL/FIBERGLASS NICHE SEALING RING, POWDER-COATED			
79206055	Sealing ring, small niche	1	0.01
SEALANT FOR NICHE BONDING LUGS			
60028300	Listed potting compound	1	0.325
SMALL STAINLESS STEEL NICHES - CANADIAN LIGHTS			
78241202	For manufactured pools, spas & tubs, 3/4" top hub - Canadian Lights	12	2
78242202	For manufactured pools, spas & tubs, 3/4" rear hub - Canadian Lights	12	2
78244202	For Concrete Installation - 3/4 in. rear hub - Canadian Lights	12	3

Dimensions and Certifications



Notice: Underwriters Laboratories has listed Pentair Water Pool and Spa, Inc. lights for use with Pentair Water Pool and Spa, Pentair Pool Products, American Products, Purex, or PacFab niches ONLY. To ensure proper grounding/bonding connections install only Pentair Water Pool and Spa lights in Pentair, Water Pool and Spa, Pentair Pool Products, American Products, Purex or PacFab niches only.

PENTAIR LARGE STAINLESS STEEL NICHES

NICHES FOR SWIMMING POOLS AND SPAS



Pentair Large Niches

Large stainless steel niches are formed with brass fittings. All niches have internal and external grounding lugs for use with either metal or PVC conduit.

CALIFORNIA PROPOSITION 65 WARNING
 ⚠️ **WARNING:** Cancer and Reproductive Harm.
 ⚠️ **AVERTISSEMENT:** Peut Causer le Cancer et des Dommages au Système Reproducteur.
 ⚠️ **ADVERTENCIA:** Cáncer y Daño Reproductivo.
 www.p65warnings.ca.gov. PH.201714

Featured Highlights

- Niches for all installations
- Stainless steel housing
- Brass hub: 1/2, 3/4, or 1 in.
- Internal/external bonding lugs
- Vinyl niches with chrome/brass sealing rings
- Sandwich gasket for vinyl
- Powder coated sealing ring (optional)

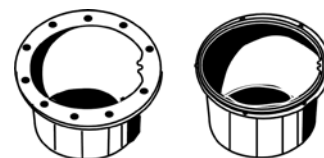
Ordering Information

Product	Description	Carton Qty.	Carton Wt. (Lbs.)
LARGE STAINLESS STEEL NICHES FOR CONCRETE INSTALLATION			
78210400	3/4 in. top hub	1	3
78210700	3/4 in. rear hub	1	3
78210500	1 in. top hub	1	3
78210600	1 in. rear hub	1	3
VINYL AND FIBERGLASS INSTALLATION, STANDARD 10 HOLE PATTERN			
78232400	Fiberglass/liner, 3/4 in. rear hub	1	5
78232500	Fiberglass/liner, 1 in. rear hub	1	5
LARGE STAINLESS STEEL NICHE, CONCRETE SHIELD			
45361000	Niche Shield for construction	1	0.325
79211600Z	Replacement/Repair Niche plaster ring	1	5
LARGE STAINLESS STEEL NICHE - CANADIAN LIGHTS			
78210701	For Concrete Installation - 3/4 in. rear hub	1	0.25
78232401	For Vinyl and Fiberglass Installation - 3/4 in. rear hub		
POWDER COATED SEALING RINGS, VINYL/FIBERGLASS			
79200255	Sealing ring, large niche (white)	1	0.01
SEALANT FOR NICHE BONDING LUGS			
60028300	Listed potting compound	1	0.0375

Dimensions and Certifications

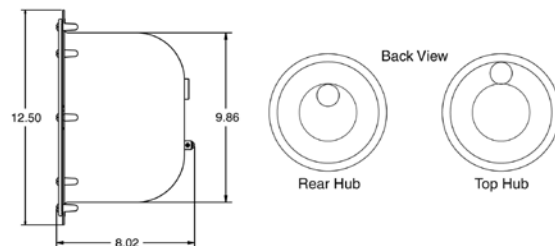


Notice: Underwriters Laboratories has listed Pentair Water Pool and Spa, Inc. lights for use with Pentair Water Pool and Spa, Pentair Pool Products, American Products, Purex, or PacFab niches ONLY. To ensure proper grounding/bonding connections install only Pentair Water Pool and Spa lights in Pentair, Water Pool and Spa, Pentair Pool Products, American Products, Purex or PacFab niches only.



Standard 10 Hole Pattern

Gunite Hole Pattern



PLASTIC NICHEs

PLASTIC NICHEs FOR SWIMMING POOLs AND SPAs

Featured Highlights

Gunite Plastic Niches:

- Innovative cord seal grommet (Accessory sold separately)
- Large and small models
- Rebar tie-backs
- Plaster ring for secure sealing
- Internal/external bonding lugs
- High strength PVC construction
- Rear one inch PVC hub
- Includes 45° and 3/4 in. reducer bushings
- Includes gunite/plaster shield

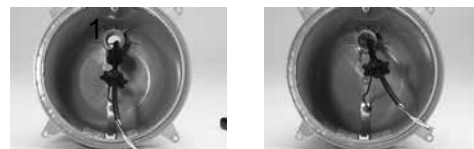
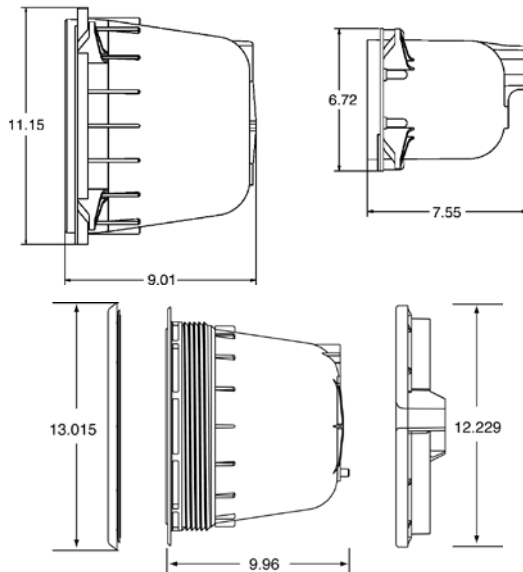


Gunite Plastic Niches - These plastic concrete niches are molded of high strength, corrosion resistant PVC with a one inch PVC hub. Both 45° and 3/4 in. reducer bushings are included. Gunite models feature rebar tie-backs and a plaster ring for clean, simple installations and all are packed with a gunite/plaster shield.

Ordering Information

Product	Description	Carton Qty.	Carton Wt. (Lbs.)
PLASTIC NICHE - CONCRETE			
79206600	Small PVC niche, concrete	1	2
79206700	Large PVC niche, concrete	1	3
ACCESSORIES			
670044	Cord Seal Grommet Kit	3	1
60028300	Listed potting compound	1	0.325

Dimensions and Certifications



Innovative cord seal grommet accessory
(p/n 670044)

Notice: Underwriters Laboratories has listed Pentair Water Pool and Spa, Inc. lights for use with Pentair Water Pool and Spa, Pentair Pool Products, American Products, Purex, or PacFab niches ONLY. To ensure proper grounding/bonding connections install only Pentair Water Pool and Spa lights in Pentair, Water Pool and Spa, Pentair Pool Products, American Products, Purex or PacFab niches only.

¹ Plastic niches are only listed for use with 12V lights in Canada.

CALIFORNIA PROPOSITION 65 WARNING

⚠ **WARNING:** Cancer and Reproductive Harm.
 ⚠ **AVERTISSEMENT:** Peut Causer le Cancer et des Dommages au Système Reproducteur.
 ⚠ **ADVERTENCIA:** Cáncer y Daño Reproductivo.

www.p65warnings.ca.gov. P650075-1

LIGHT ACCESSORIES AND JUNCTION BOXES

ADD-ON FEATURES AND ACCESSORIES FOR ALL PENTAIR LIGHTS



Add-on Light Features and Accessories

Our optional light and niche features are designed to enhance our standard products and accommodate your specific project requirements.

Featured Highlights

Kwik-Change Lens Covers

- Powder coated vinyl niche sealing ring
- Snap-on plastic face rings available for s/s lights

Junction Boxes

- Available in 3 sizes: 1/2, 3/4 & 1 in.
- Polycarbonate cover with brass base
- Built-in strain relief
- UL listed

Ordering Information

Product	Description	Carton Qty.	Carton Wt. (Lbs.)
KWIK-CHANGE LENS COVERS			
650015	SpaBrite/AquaLight lens, magenta	1	0.5
650016	SpaBrite/AquaLight lens, purple	1	0.5
650017	SpaBrite/AquaLight lens, teal	1	0.5
650018	SpaBrite/AquaLight lens, green	1	0.5
78900800	Amerlite/AmerQuartz lens, blue	1	0.5
78900900	Amerlite/AmerQuartz lens, red	1	0.5
650019	SpaBrite/AquaLight lens, 6 assorted colors	1	0.5
78900100	Amerlite/AmerQuartz lens (3 colors - red, green, blue)	1	1
78900700	Amerlite/AmerQuartz lens, green	1	0.5

Product	Description	Carton Qty.	Carton Wt. (Lbs.)
SNAP-ON PLASTIC FACE RINGS FOR AMERLITE			
79212111	Black	1	0.01
79212165	Gray	1	0.01
79213111	Black	24	0.01
79213100	White	24	0.01
SNAP-ON PLASTIC FACE RINGS FOR SPABRITE/AQUALIGHT			
79212200	White	1	0.01
79212211	Black	1	0.06
79212265	Gray	1	0.06
JUNCTION BOX BRASS BASE W/ POLYCARBONATE COVER ¹			
78310500	(3) - 1/2 in. ports	1	1
78310600	(3) - 3/4 in. ports	1	1
78310700	3/4 in. x 1 in. x 3/4 in. ports	1	1

¹ UL Listed.

Dimensions and Certifications



CALIFORNIA PROPOSITION 65 WARNING

⚠️ **WARNING:** Cancer and Reproductive Harm.
 ⚠️ **AVERTISSEMENT:** Peut Causer le Cancer et des Dommages au Système Reproducteur.
 ⚠️ **ADVERTENCIA:** Cáncer y Daño Reproductivo.

www.p65warnings.ca.gov
PA120714.1

UNDERWATER SPEAKERS FOR USE IN SWIMMING POOLS

Featured Highlights

- Sealed speaker - No metal parts exposed to pool water
- Provides underwater communication between coach and swimmers
- Provides background music for synchronized swimming and for scuba instruction
- Equipped with 50 foot, 3 conductor waterproof cable
- UL Listed when used with 68102 Niche



Underwater Speaker

The UW30 30-Watt Underwater Loud Speaker is fully encased in high-impact ABS case and sealed for underwater use to a depth of up to 10 feet. Recommended mounting location is up to 4 feet below the surface of the water for optimum efficiency. The niche is made with a heavy-duty, cast bronze construction with a 3/4" IPS threaded connection. Speaker, Niche and Grill must be ordered separately.

Ordering Information

Product	Description	Carton Qty.
UNDERWATER SPEAKERS		
68101-1	UW30 Underwater Loud Speaker	1
68102	Niche for UW30 Speaker	1
68103SS	Stainless Steel Grille	1

Dimensions and Certifications

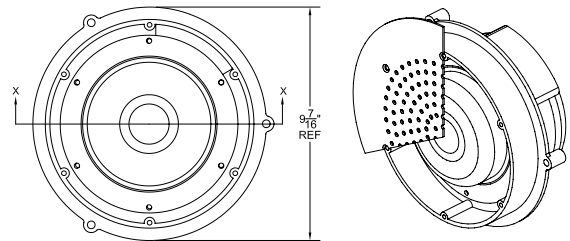


Product Specifications

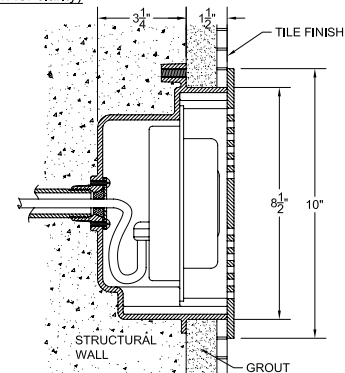
- Frequency Response:** 100-10,000 Hz
Power Handling Capacity: 30 watts continuous pink noise
Impedance: 8 ohms
Dispersion: Omni-directional underwater

Spacing / Layout Guide:

A single speaker is recommended for up to 900 sf of pool surface area. For larger bodies of water, one speaker is recommended for each 900 sf of pool surface area in deep water (1200 sf in shallow water). More units may be required if a high level of turbulence need to be overcome (such as swimming and diving classes). Using more speakers results in better sound dispersion and avoids excessive volume at each speaker. Speaker must be connected to proper approved amplifying system.



FRONT VIEW
(grill not shown for clarity)



Dimensions

CALIFORNIA PROPOSITION 65 WARNING

⚠️ **WARNING:** Cancer and Reproductive Harm.
 ⚠️ **AVERTISSEMENT:** Peut Causer le Cancer et des Dommages au Système Reproducteur.
 ⚠️ **ADVERTENCIA:** Cáncer y Daño Reproductivo.

www.p65warnings.ca.gov
P682011A

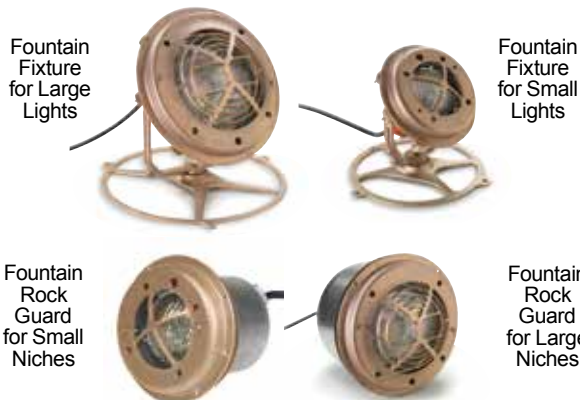
FOUNTAIN LIGHTS AND FIXTURES

FOR USE IN FOUNTAINS

Featured Highlights

Fountain Fixtures

- Sturdy cast bronze construction with attractive natural bronze finish
- Base and yoke-mount rotate 360° and pivot 180°
- Integrated bonding lug for electrical safety
- Innovative strain-relief prevents damage to wiring connections
- Niche installation option available
- Large fixture for use with the IntelliBrite® 5g Pool Light for water fountains, and Amerlite® Lights listed for fountain use
- Small fixture for use with IntelliBrite 5g Spa Light, AquaLight®, and SpaBrite® Lights listed for fountain use



Pentair Fountain Lights are commercial grade fixtures that offer color lighting capabilities, as well as traditional white lighting. When combined with Pentair's IntelliBrite 5g color lights, these systems can bathe fountains in a constantly changing spectrum of color. Both large and small fixtures are designed for easy installation and for use with Pentair lights only.

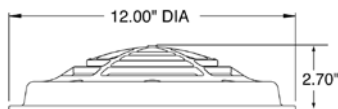
Ordering Information

Product	Description	Carton Qty.	Carton Wt. (Lbs.)
FOUNTAIN FIXTURES			
560000	Fountain fixture for large lights with rock guard ¹	1	15
560001	Fountain fixture for small lights with rock guard ¹	1	9
FOUNTAIN ROCK GUARDS			
560002	Fountain rock guard for large niches ²	1	7
560003	Fountain rock guard for small niches ²	1	4

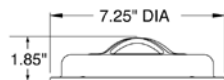
¹ Light is sold separately.

² Light and niche sold separately.

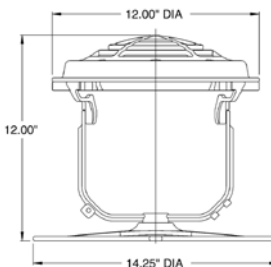
Dimensions and Certifications



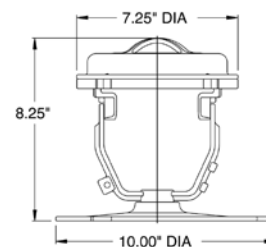
Fountain Rock Guard for Large Niches



Fountain Rock Guard for Small Niches



Fountain Fixture for Large Lights



Fountain Fixture for Small Lights

Note: Underwriters Laboratories has listed Pentair Water Pool and Spa, Inc. lights for use with Pentair Water Pool and Spa, Pentair Pool Products, American Products, Purex, or PacFab niches ONLY. To ensure proper grounding/bonding connections install only Pentair Water Pool and Spa lights in Pentair, Water Pool and Spa, Pentair Pool Products, American Products, Purex or PacFab niches only.

CALIFORNIA PROPOSITION 65 WARNING

⚠️ **WARNING:** Cancer and Reproductive Harm.
 ⚠️ **AVERTISSEMENT:** Peut Causer le Cancer et des Dommages au Système Reproducteur.
 ⚠️ **ADVERTENCIA:** Cáncer y Daño Reproductivo.

www.p65warnings.ca.gov. PN28018A

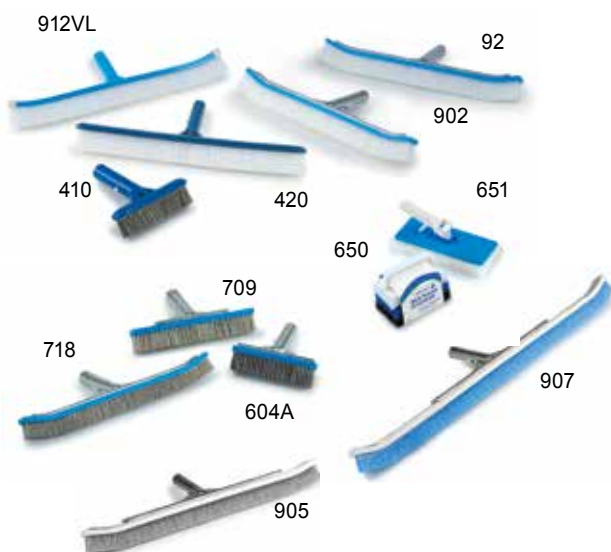


MAINTENANCE,
SAFETY EQUIPMENT,
WHITE GOODS &
CLEANERS



BRUSHES AND SCRUBBERS

POOL, SPA, DECK AND TILE BRUSHES



Pool, Spa, Deck and Tile Brushes

Featured Highlights

Curved Brushes

- UV stabilized polypropylene or nylon bristles.
- Snap-adapt handle fits most poles
- Aluminum Back Brushes with strong die cast aluminum back
- Molded Brushes with heavy-duty one piece molded construction
- Model 907 has a 50/50 blend of stainless and nylon bristles. Recommended for new pool start-up brushing or mild algae cleaning.

Stainless Steel Algae Brushes

- All algae brushes feature quality stainless steel bristles
- Perfect for removing tough algae on plaster surfaces
- Snap-adapt handle fits most poles

Scrubbers

- 650 Scrubber has a molded hand grip and includes 3 interchangeable pads
- 651 Universal Scrubber features an ABS back with a swivel joint handle and a light duty replaceable pad

CALIFORNIA PROPOSITION 65 WARNING

⚠ **WARNING:** Cancer and Reproductive Harm.
 ⚠ **AVERTISSEMENT:** Peut Causer le Cancer et des Dommages au Système Reproducteur.
 ⚠ **ADVERTENCIA:** Cáncer y Daño Reproductivo.
www.p65warnings.ca.gov

Ordering Information

Product	Model	Description	Carton Qty.	Carton Wt. (Lbs.)
CURVED BRUSHES				
R111046	92	18 in. Aluminum Back White nylon	12	13
R111316	902	18 in. Aluminum Back White polypropylene	12	12
R111358	907 ¹	18 in. Aluminum Back Blended, stainless & nylon	12	13
R111342	905	24 in. Aluminum Back Blue nylon	12	19
R111366	912	18 in. Molded Back White polypropylene	12	10
R111386	912VL	18 in. Molded Back White nylon, end caps for vinyl liner pools	12	10
R500013	420	18 in. Molded Back White polypropylene	12	9
ALGAE BRUSH – (NOT FOR VINYL LINER POOLS)				
R500012	410	6 in. Molded Back, Stainless Steel for Plaster, Concrete, Gunite	12	7
R111616	604A	6 in. Aluminum Back, Stainless Steel for plaster, Concrete, Gunite	12	6
R111626	709	9 in., Aluminum Back Stainless Steel for plaster, Concrete, Gunite	12	9
R111646	718	18 in., Aluminum Back Stainless Steel for plaster, Concrete, Gunite	12	15
ACID-WASH/TILE/DECK BRUSHES				
R111584		10 in. Blue & white crimped bristles	25	21
SCRUBBERS				
R111556	650	Multi-purpose scrub brush w/ 3 pads	12	6
R111560	651	Universal swivel handle, 4-5/8 in. x 10 in. w/ removable pad	12	6

¹ Not for use on vinyl liner pools.

Note: All items with snap-adapt handle include a high performance Acetal Resin Spring and will snap into all standard poles or can be bolted on, if preferred, simply by removing the Acetal Resin Spring.

HAND SKIMMERS AND LEAF RAKES

Featured Highlights

Snap-adapt handles allow for use with most poles

Hand Skimmers

- Heavy-duty reversible nets stand up to tough wear

122 Leaf Rake

- Designed to easily remove leaves and debris. Screen and frame completely covered with squeegee for scraping fine, loose debris on pool bottom

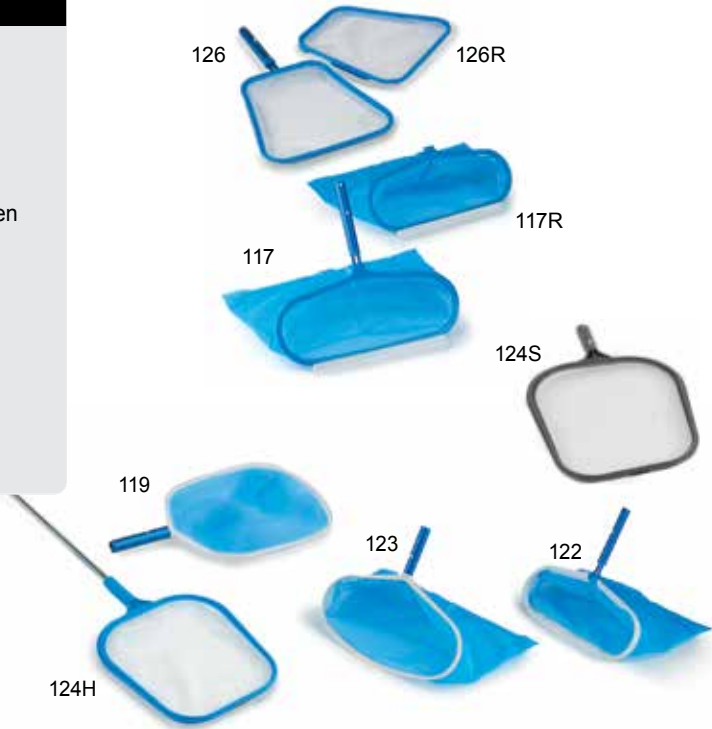
123 Econo Leaf Rake

- ABS molded frame with aluminum reinforcement

117 Pro Leaf Rake

- Replaceable snap-on frame and net fits on 3/8 in. solid anodized aluminum rod

CALIFORNIA PROPOSITION 65 WARNING
 ⚠️ **WARNING:** Cancer and Reproductive Harm.
 ⚠️ **AVERTISSEMENT:** Peut Causer le Cancer et des Dommages au Système Reproducteur.
 ⚠️ **ADVERTENCIA:** Cáncer y Daño Reproductivo.
www.p65warnings.ca.gov PA120271A



Hand Skimmers and Leaf Rakes

Ordering Information

Product	Model	Description	Carton Qty.	Carton Wt. (Lbs.)
HAND SKIMMERS				
R121026	119	Molded Frame Skimmer reinforced with aluminum and aluminum handle	12	8
R121166	124S	Spa/Aboveground Skimmer, screen molded into frame, with magnet	12	7
R121186	124H	Long Handle Skimmer, molded frame with 1 in. x 4 ft. pole	12	11
R121196	126	Professional Grade Heavy-duty Skimmer, 3/8 in. solid aluminum rod, Deep net molded into ABS snap-on replacement frame	12	13
R121216	126R	No. 126 Professional Grade Replacement frame and net	12	6
LEAF RAKES				
R121106	122	Leaf rake, 3/8 in. aluminum rod with attached handle and heavy-duty fiberglass screen	12	18
R121126	123	Econo leaf rake, ABS molded frame reinforced with aluminum, frame has raised lip for scraping bottom	12	10
R121230	117	Pro leaf rake, replaceable frame and net snaps onto 3/8 in. solid aluminum rod, replaceable squeegee strip	12	18
R121232	117R	Replacement frame, squeegee and netting for No. 117 and No. 122	12	12

FLOATS, FLOAT ROPE, AND SAFETY HOOK



Float Keepers

CALIFORNIA PROPOSITION 65 WARNING
 ⚠️ **WARNING:** Cancer and Reproductive Harm.
 ⚠️ **AVERTISSEMENT:** Peut Causer le Cancer et des Dommages au Système Reproducteur.
 ⚠️ **ADVERTENCIA:** Cáncer y Daño Reproductivo.
www.p65warnings.ca.gov 09/2017A

Featured Highlights

Floats & Safety Equipment

- Unsinkable, durable, polyethylene floats are available in a variety of sizes

Safety Float Lines

- Include 3/8 in. poly rope, 3 in. x 5 in. floats, solid chrome brass rope hook, 1 fid and locking device

Floats, Float Rope, and Safety Hook

Ordering Information

Product	Model	Description	Carton Qty.	Carton Wt. (Lbs.)
SAFETY POOL HOOK				
R221026	153	Fits any standard straight pole (do not attach to telescopic poles), nut. Mounting Hardware set not included. See item R221030	12	14
R221030	153	Hardware set for Pool Hook	1	
SWIM TEACHER				
R221056	58	Two 7 in. x 7 in. poly floats with 30 in. white PVC bar, packed in bag with header	6	10
FLOATS				
R181026	350	Red and white, 3 in. x 5 in. Oval Float, Fits 1/2 in. Rope	100	12
R181016	350	Blue and white, 3 in. x 5 in. Oval Float, Fits 1/2 in. Rope	100	12
R181046	350	Solid white, 3 in. x 5 in. Oval Float, Fits 1/2 in. Rope	100	12
R181086	590	Blue and white, 5 in. x 9 in. Oval Float, Fits 3/4 in. Rope	24	11
R181096	590	Red and white, 5 in. x 9 in. Oval Float, Fits 3/4 in. Rope	24	11
R181156	770	Solid white, 7 in. x 7 in. Round Float, Fits 3/4 in. Rope	20	10
FLOAT KEEPERS & ROPE HOOKS				
R181436	71	Secures No. 590 to 3/4 in. rope, two pieces and two screws, one set holds one float in place	1	
R181446	71	Set of two, bubble pack	12	1
R181486	74	Secures No. 590 to 3/4 in. rope, four pieces and two screws, one set holds one float in place	1	
R06017	355	Replacement chrome brass rope hook	1	
R181416	355	Replacement chrome brass rope hook, bubble pack	12	2
SAFETY FLOAT LINES				
R181206	3520	20 ft. Pool Dimension, 9 floats	6	15
R181216	3518	18 ft. Pool Dimension, 7 floats	6	14
R181226	3516	16 ft. Pool Dimension, 5 floats	6	12
R181200	3525	25 ft. Pool Dimension, 9 floats (Available Built to Order Only)	1	3
R181268	3524	24 ft. Pool Dimension, 9 floats (Available Built to Order Only)	1	3
R181269	3530	30 ft. Pool Dimension, 9 floats (Available Built to Order Only)	1	2

MAINTENANCE KITS

Featured Highlights

Maintenance Kits

- Pentair has a variety of standard kits with the most popular combinations requested by our customers. Each kit is packaged in an attractive box with a handle.



CALIFORNIA PROPOSITION 65 WARNING

⚠️ **WARNING:** Cancer and Reproductive Harm.
 ⚠️ **AVERTISSEMENT:** Peut Causer le Cancer et des Dommages au Système Reproducteur.
 ⚠️ **ADVERTENCIA:** Cáncer y Daño Reproductivo.
www.p65warnings.ca.gov

Ordering Information

Product	VL/Gunite	Brush	Vacuum	Thermometer	Test Kit	Leaf Net/Leaf Rake	Pole/Hose Hanger	Discharge Hose	Qty.
SWIMMING POOL MAINTENANCE KITS									
R131016 ¹		912		125	752	119	145		3
R131020 ¹		912		125	754 For Canada	119	145		3
R131021 ²	VL	912VL	191LW	125	752	124S			1
R131037 ¹		902B		127	3-Way Strips	119	145		3
R131046 ¹		902		130	78HR	126	145		3
R131048 ¹	VL	912	194	127		119			3
R131066 ¹	VL	902	194	127	752	126			3
R131074 ¹	VL	912	193	127	752	124S			3
R131075 ¹	VL	912	196	127	752	124S			3
R131076 ¹	VL	912VL	193	127	752	124S			3
R131078 ¹	VL	912VL	196	127	752	124S			3
R131079 ¹	VL	912VL	194		752	119			3
R131106 ¹		902		127	754 For Canada	126	145/165		3
R131146 ¹		912		127	78HR	124S			3
R131147 ¹		902		130	78HR	119			3
R131148A ²		902		133	78HR	119			1
R131155 ¹	Gunite	902	203	133	78HR	123	145		3
R131204 ²		902		136	78DPD	124S	145		1
R131256A ²		903 Alt. ⁴		133	752	119			1
R131316 ²	VL	902	194	136	752	124S		1.5 in. x 50 ft.	1
R131360 ²	Gunite	902	188	127	78HR	119			1
R131371 ²	Gunite	902	203	127 and 133		126			1
R131388 ¹	Gunite	902	201		78HR	119			3
R131398 ²	VL	902	196	127		119			1
R131404 ¹	Gunite	902	203		78HR	124S			3
R131410 ³	Gunite	902	203	125	Test Strips	119	145		1
R131418 ¹	Gunite	912	203	136		119			3
R131442 ³	VL	902	196	127	752	123		1.5 in. x 50 ft.	1
R131448 ¹	Gunite	903 Alt. ⁴	203	Yes - Jumbo	5-Way Strips	124S			3

¹ Pentair kraft box style.

² Corrugated box style.

³ Corrugated white box style.

⁴ Brush model 903 has been replaced with an alternate direct replacement.

POLES



Featured Highlights

- **Telescopic Poles** are constructed of high quality drawn aluminum tubing. The 1-1/8 in. OD inside tube is clear anodized and the 1-1/4 in. OD outer tube is bright blue anodized. Each has a bicycle type vinyl hand grip and packed in a protective poly sleeve.
- **Fiberglass Poles** with E-Z Lock compression lock are manufactured to withstand abuse. Required for service pros in areas where protection from electrical shock is mandatory. UV protective coating helps prevent splintering with age.

CALIFORNIA PROPOSITION 65 WARNING

⚠ **WARNING:** Cancer and Reproductive Harm.
 ⚠ **AVERTISSEMENT:** Peut Causer le Cancer et des Dommages au Système Reproducteur.
 ⚠ **ADVERTENCIA:** Cáncer y Daño Reproductivo.
www.p65warnings.ca.gov

Ordering Information

Product	Model	Description	Carton Qty.	Carton Wt. (Lbs.)
POLES				
R191088	806-24	Commercial Aluminum Pole - 12 ft. to 23-1/2 ft. E-Z Lock	12	52
R191090	812-24	Commercial Aluminum Pole - 12 ft. to 23-1/2 ft. Metal cam	12	52
R191091	808-12	Commercial Fiberglass Pole - 6 ft. to 12 ft.	6	20
R191092	808-16	Commercial Fiberglass Pole - 8 ft. to 16 ft.	6	25
R191095	818-12	Commercial Fiberglass Pole - Straight 12 ft. w/ pole cap	6	21
R191101	808-22	Commercial Fiberglass Pole - 11-1/2 ft. to 22 ft.	6	32
R191104	818-16	Commercial Fiberglass Pole - Straight 16 ft. w/ pole cap	3	38

POOL & SPA SIGNS

Featured Highlights

Pool & Spa Signs

- Commercial quality pool and spa signs are constructed of weather-resistant, high impact plastic and finished with brass grommets for easy, secure hanging.



CALIFORNIA PROPOSITION 65 WARNING

⚠️ **WARNING:** Cancer and Reproductive Harm.
 ⚠️ **AVERTISSEMENT:** Peut Causer le Cancer et des Dommages au Système Reproducteur.
 ⚠️ **ADVERTENCIA:** Cáncer y Daño Reproductivo.

www.p65warnings.ca.gov. PN202131A

Ordering Information

Product	Description	Size	Ctn Qty.
POOL & SPA SIGNS			
R230200	Pool Rules (Calif.)	18 in. x 24 in.	6
R230300	Spa Rules	18 in. x 24 in.	6
R230400	Pool Rules	18 in. x 24 in.	6
R230500	No Lifeguard On Duty. (4 in. letters)	24 in. x 18 in.	6
R235100	No Lifeguard On Duty. (4 in. letters - Texas)	24 in. x 24 in.	6
200186	No Lifeguard On Duty. (4 in. letters - Georgia)	24 in. x 36 in.	6
R230800	Public Pool Use Notice	18 in. x 24 in.	6
R230900	Pool Capacity	18 in. x 12 in.	6
R231100	C.P.R.	24 in. x 18 in.	6
R231200	No Diving Allowed	18 in. x 12 in.	6
R231400	Pool Closed	12 in. x 6 in.	6
R231700	Emergency Phone No. 911	12 in. x 6 in.	6
R232600	No Glassware In Pool Area	9 in. x 12 in.	6
R233800	No Diving (South Carolina)	24 in. x 24 in.	6
R233900	Caution Spa Rules (South Carolina)	24 in. x 36 in.	6
R234000	Pool Rules (South Carolina)	24 in. x 36 in.	6
R234100	Pool Rules (North Carolina)	24 in. x 36 in.	6
R234200	SPA Rules (North Carolina)	24 in. x 36 in.	6
R234500	Water Conditions (Virginia)	12 in. x 9 in.	6
R234700	Danger Pool Closed	18 in. x 12 in.	6
R234800	Pool Rules (Florida)	24 in. x 42 in.	6
R234900	Spa Rules (Florida)	18 in. x 24 in.	6
R235200	Pool Risks (Georgia)	24 in. x 29.5 in.	6
R235300	No Lifeguard (South Carolina) 6 in. x 4 in. letters	36 in. x 24 in.	6
SPANISH POOL & SPA SIGNS			
R233700	(Reglamentos) Pool Rules	18 in. x 24 in.	6

Note: Sign images on the following two pages.

POOL & SPA SIGNS (CONT'D)



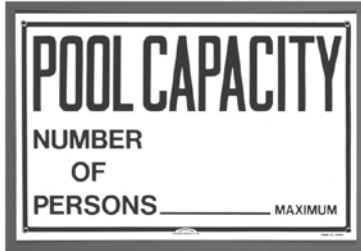
R230500 No Lifeguard On Duty
24 in. x 18 in.



R235100 No Lifeguard On Duty, (Texas) 24 in. x 24 in. (4 in. letters)



R230800 Public Pool Use Notice 18 in. x 24 in.



R230900 Pool Capacity 18 in. x 12 in.



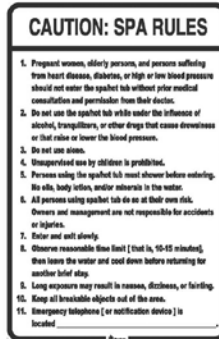
R231100 "C.P.R." 24 in. x 18 in.



R231200 No Diving Allowed, 18 in. x 12 in.



R231700 Emergency Phone No. 911, 12 in. x 6 in.



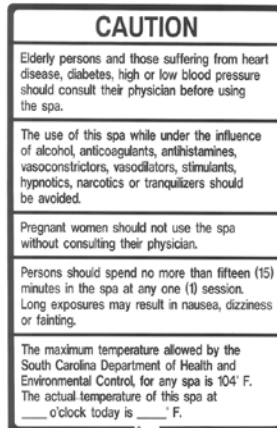
R234200 Caution Spa Rules (N. Carolina) 24 in. x 36 in.



R232600 No Glassware In Pool Area, 9 in. x 12 in.



R231400 Pool Closed 12 in. x 6 in.



R233900 Caution Spa Users (S. Carolina), 24 in. x 36 in.



R233800 No Diving (S. Carolina) 24 in. x 24 in.



R234000 Pool Rules (S. Carolina), 24 in. x 36 in.

POOL & SPA SIGNS (CONT'D)



R234100 Pool Rules
(N. Carolina), 24 in. x 36 in.



R230200 Pool Rules
(Calif.) 18 in. x 24 in.



R230300 Spa Rules
18 in. x 24 in.



R234700 Danger
Pool Closed 18 in. x 12 in.



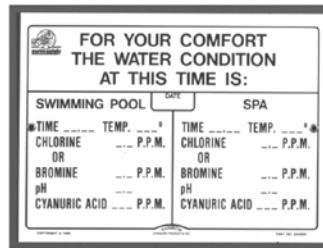
R235200 Pool Risks
Georgia, 24 in. x 29.5 in.



R234900 Spa Rules
(Florida), 18 in. x 25 in.



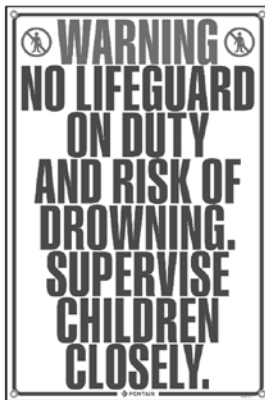
R234800 Pool Rules
(Florida), 24 in. x 50 in.



R234500 Water Conditions
(Virginia), 12 in. x 9 in.



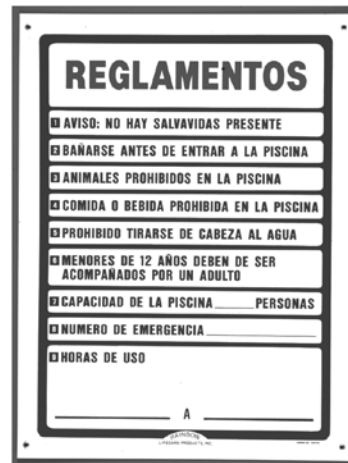
R230400 Pool Rules
18 in. x 24 in.



200186 No Lifeguard On Duty
(Georgia), 24 in. x 36 in.
(4 in. letters)



R235300 No Lifeguard
(S. Carolina), 36 in. x 24 in.
(6 in. x 4 in. letters)



R233700 Reglamentos
(Pool Rules), 18 in. x 24 in.

TEST KITS

DPD, BROMINE, PH & CHLORINE TEST KITS



752DPD/pH



77DPD



752



78HR



78DPD



78DPD+



Bulk Reagents

CALIFORNIA PROPOSITION 65 WARNING
 ⚠️ **WARNING:** Cancer and Reproductive Harm.
 ⚠️ **AVERTISSEMENT:** Peut Causer le Cancer et des Dommages au Système Reproducteur.
 ⚠️ **ADVERTENCIA:** Cáncer y Daño Reproductivo.
www.p65warnings.ca.gov PH202114



756

Ordering Information

Product	Model	Description	Carton Qty.	Carton Wt. (Lbs.)
BROMINE TEST KITS				
R151196	756	"2 n 1" Bromine test kit, 1/2 oz. OTO and pH, Br range 0.5–6.5, yellow hinged case, packed 12 kits per counter display	24	10
R151201	756	"2 n 1" Bromine test kit, 1/2 oz. OTO and pH, Br range 0.5–6.5, yellow hinged case, packed 12 kits per counter display, for Canada	24	10
DPD TEST KITS				
R151190	77DPD	4 in 1 Chlorine/Bromine test kit. DPD No. 1 and No. 3 tablets, solutions No. 2, No. 3, No. 4, No. 5, wide Lucite test cell	12	16
R151246	78DPD	"All-in-One" test kit, free, total and combined Cl, pH, acid demand and total Alkalinity, Lucite test cell, 50 each DPD No. 1 and No. 3 tabs, 1 oz. No. 2, No. 3, 1/2 oz. No. 4, No. 5, water test booklet, red display box	12	17
R151248	78DPD+	"All-in-One" plus test kit, for servicemen or homeowners, free, total and combined Cl, Cyanuric Acid, pH, Acid Demand, Alkali Demand and Total Alkalinity, Lucite test cell, 50 each DPD No. 1 and No. 3 tablets, 10 Cyanuric acid tablets, 1 oz. No. 2, No. 3, 1/2 oz. No. 3B, No. 4, No. 5, water test booklet, red display box	12	18
200063	752DPD/PH	Free chlorine and pH analyzer test kit. DPD and pH tablets, 30 tablets each.	12	5
pH & CHLORINE TEST KITS				
R151076	752	"2 n 1" Test Kit 1/2 oz. OTO and Pre-Blended pH, Cl range 0.3–3.0, blue hinged case, packed 12 Kits per counter dispenser	24	10
R151082	752	"2 n 1" Test Kit 1/2 oz. OTO and Pre-Blended pH, Cl range 0.3–3.0, blue hinged case, packed 12 Kits per counter dispenser, for Canada	24	10
R151083	752	"2 n 1" Test Kit 1/2 oz. OTO and Pre-Blended pH, Cl range 0.3–3.0, blue hinged case, packed 12 Kits per counter dispenser, bubble pack, with Spanish instructions	24	10
R151186	78HR	"All-in-One" 4 Way Test Kit, Cl, pH, Acid Demand, Total Alkalinity, Lucite test cell with wide standards, 1 oz. No. 1, No. 2, No. 3, 1/2 oz. No. 4, No. 5, water test booklet, blue display box	12	16

Note: Products containing OTO not available in the State of California.

Note: Air shipment of OTO solution and kits containing OTO solution is prohibited.

WATER HARDNESS/SPECIALTY TEST KITS

Featured Highlights

Professionals Pro 11 Test Lab

- Complete 11 test lab designed for service professionals. Free, Total and Combined Cl, Br, Iodine, pH, Acid Demand, Total Alkalinity, Water Hardness and Cyanuric Acid. Handy red tote box contains complete instructions, solutions and tests. Pro-Design Test Cell features Cl range to 10ppm and meets recommended industry standards.



PRO11

CALIFORNIA PROPOSITION 65 WARNING

⚠ **WARNING:** Cancer and Reproductive Harm.
 ⚠ **AVERTISSEMENT:** Peut Causer le Cancer et des Dommages au Système Reproducteur.
 ⚠ **ADVERTENCIA:** Cáncer y Daño Reproductivo.
www.p65warnings.ca.gov

Ordering Information

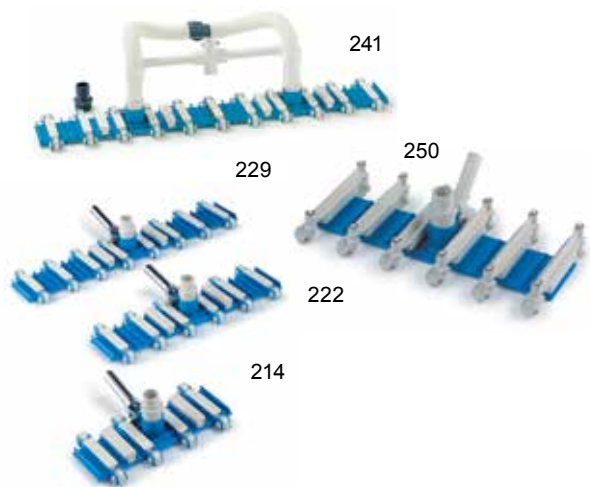
Product	Model	Description	Carton Qty.	Carton Wt. (Lbs.)
CYANURIC ACID TEST KITS				
R151226	79	Determine parts per million of Cyanuric Acid, test vial designed for positive readout, 8 oz. reagent, instructions in Styrene box with clear top	6	8
PRO 11 MINI LAB				
R151716	PRO 11	Professional Test Lab	6	13
TOTAL ALKALINITY TEST KITS				
R151306	1300	Indicates ppm of alkalinity, test vial, 1 oz. No. 3, 1/2 oz. No. 4, No. 5, blue compact box with instructions	24	12
WATER HARDNESS TEST KITS				
R151276	1200	Total Water Hardness Test Kit, total Hardness in ppm or grains, test vial, 1/2 oz. No. 6, 1 oz. No. 7 and instructions, compact box	24	11



Water Hardness/Specialty Test Kits

PROVAC®

FLEXIBLE COMMERCIAL VACUUMS



Featured Highlights

ProVac Residential & Commercial Vacuums

- The ProVac vacuum cleans a pool bottom in half the time
- Suction chamber concentrates vacuum velocity equally
- Full width flex strips guide debris into the suction chamber
- All wheels are adjustable to increase or decrease the vacuum velocity
- Includes 1-1/2 in. vac hose swivel connection

241 Super ProVac Vacuum

- Increased speed in cleaning large commercial pools

241 Super ProVac Vacuum (cont'd)

- 41 in. wide, dual port vacuum
- 22 ball bearing polyurethane wheels
- Includes adapters for 1-1/2 in. and 2 in. vacuum hose

250 Swivel Wheel 19 in. Commercial Flexible Vacuum

- ABS and polyethylene wheels with 6 lead weights swivel in any direction
- 19 in. body has 1-1/2 in. vacuum swivel adapter which allows hose to move freely without twisting. 2 in. hose fits directly on vacuum.
- Has snap-adapt handle and all component parts are replaceable

Ordering Information

Product	Model	Description	Carton Qty.	Carton Wt. (Lbs.)
241 SUPER PROVAC				
R201298	241	Super ProVac Vacuum, 22 ball bearing polyurethane wheels, suction chamber, strategic weighting and dual manifold with handle joining assembly, includes adapters for 1-1/2 in. and 2 in. vacuum hose, boxed	1	21
250 COMMERCIAL FLEXIBLE VACUUM				
R201126	250	Swivel wheel 19 in., boxed	4	37
PROVAC SERIES RESIDENTIAL & COMMERCIAL VACUUMS				
R201276	214	14 in. Commercial model, metal swivel handle, ball bearing wheels, SS nut and bolt, boxed	6	46
R201286	222	22 in. Commercial model, metal swivel handle, ball bearing wheels, stainless steel shaft, boxed	1	9
R201296	229	29 in. Commercial model, metal swivel handle, ball bearing wheels, stainless steel shaft, boxed	1	11

Note: Refer to price list for vacuum replacement items such as handles, pins, hardware, wheels, axle assemblies, High Performance Acetal Resin clips and brushes.

CALIFORNIA PROPOSITION 65 WARNING

▲ **WARNING:** Cancer and Reproductive Harm.
▲ **AVERTISSEMENT:** Peut Causer le Cancer et des Dommages au Système Reproducteur.
▲ **ADVERTENCIA:** Cáncer y Daño Reproductivo.

www.p65warnings.ca.gov
PN201714

FLOWMETERS

FOR COMMERCIAL AND INDUSTRIAL LIQUID APPLICATIONS



Flowmeter

Featured Highlights

- Stainless steel guide and floats
- Easy installation and maintenance; no tools required, tightens by hand
- Textured surface on back of meter for improved readability
- Easy to read GPM and LPM Scales
- Brass threaded knurled nuts for durability

CALIFORNIA PROPOSITION 65 WARNING

⚠ **WARNING:** Cancer and Reproductive Harm.
 ⚠ **AVERTISSEMENT:** Peut Causer le Cancer et des Dommages au Système Reproducteur.
 ⚠ **ADVERTENCIA:** Cáncer y Daño Reproductivo.
www.p65warnings.ca.gov

Ordering Information

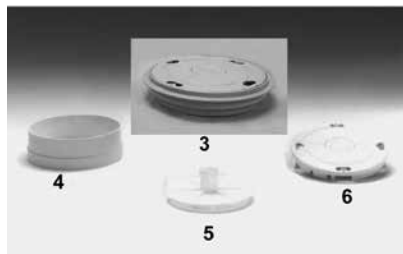
Product	GPM	Description	Carton Qty.	Carton Wt. (Lbs.)
LARGE BODY FLOWMETERS				
LDF451B	8-75	1 in., Brass sweat end	1	1-1/4
LDF461T	8-75	1-1/2 in., Brass threaded end	1	1-1/2
LDF452B	15-100	1 in., Brass sweat end	1	1-1/4
LDF462T	15-100	1-1/2 in., Brass threaded end	1	1-1/2

ADMIRAL™ S20 SKIMMERS

ADMIRAL SKIMMERS FOR POOLS AND SPAS



Admiral Skimmers



Admiral Skimmer Accessories

Admiral S20 Skimmers have a PVC reinforced twin port base. S20 may be purchased with equalizer for commercial and NSF applications or for when the second port is connected to the main drain. All models include the innovative lock down lid that can be personalized with custom logo disks and are available with a flap weir or the exclusive circular weir for superior skimming action.

**Certified to
NSF/ANSI Standard 50**

Ordering Information

- #### Featured Highlights
- Admiral S20 Skimmers: Reinforced PVC base
 - Slip FIPT, 1-1/2 inch or 2 inch
 - Variety of throat lengths
 - Easy to install
 - Innovative lock down lid
 - 1-1/2 inch and 2 inch ports
 - Lid extension collars
 - Flap weir or the exclusive circular weir
 - Custom logo disk available

Product	Description	Carton Qty.	Carton Wt. (Lbs.)
S20 SKIMMERS FOR CONCRETE CONSTRUCTION			
84420500	S20, circ. weir, equalizer, 2 in. threaded, FIPT ¹	1	12
84420505	S20, circ. weir, equalizer, 2 in. slip ¹	1	12
84420530	S20, circ. weir, equalizer, 2 in. threaded, tan	1	12
84420535	S20, circ. weir, equalizer, 2 in. slip, tan	1	12
84420600	S20, flap weir, equalizer, 2 in. threaded, FIPT ¹	1	12
84420605	S20, flap weir, equalizer, 2 in. slip ¹	1	12
84420630	S20, flap weir, equalizer, 2 in. threaded, tan ¹	1	12
84420635	S20, flap weir, equalizer, 2 in. slip, tan	1	12
SKIMMER ACCESSORIES			
87204600	Hydrostatic Relief Spring Valve, 2 in. for S20 commercial equalizer	1	0.25
85018000	Lid with ring seat, S15 & S20, 9 in. beige	1	1
85002300	Extension collar for ring seat, adjustable to 3 in.	1	0.50
85001900	Vacuum plate adapter, S15 & S20	1	0.50
85007400	Lock down lid for existing Admiral skimmers, white	1	0.50
85007411	Lock down lid for existing Admiral skimmers, black	1	0.50
85007413	Lock down lid for existing Admiral skimmers, gray	1	0.50
85007430	Lock down lid for existing Admiral skimmers, tan	1	0.50
85000400	Lid/collar set, white	1	0.50
85000411	Lid/collar set, black	1	0.50

¹ NSF listed for commercial installation.

CALIFORNIA PROPOSITION 65 WARNING

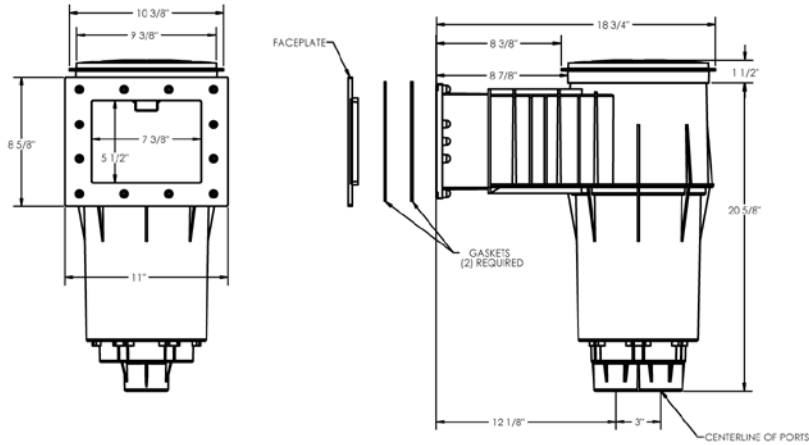
▲ **WARNING:** Cancer and Reproductive Harm.
▲ **AVERTISSEMENT:** Peut Causer le Cancer et des Dommages au Système Reproducteur.
▲ **ADVERTENCIA:** Cáncer y Daño Reproductivo.
www.p65warnings.ca.gov

ADMIRAL™ S20 SKIMMERS (CONT'D)

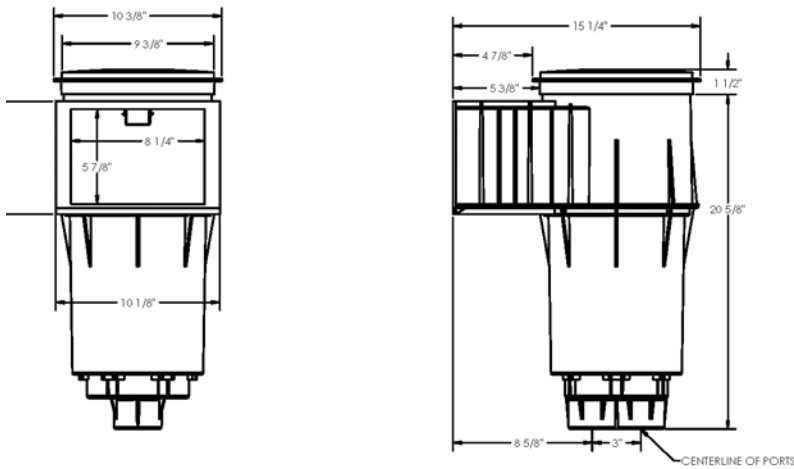
Dimensions and Performance

Certified to
NSF/ANSI Standard 50

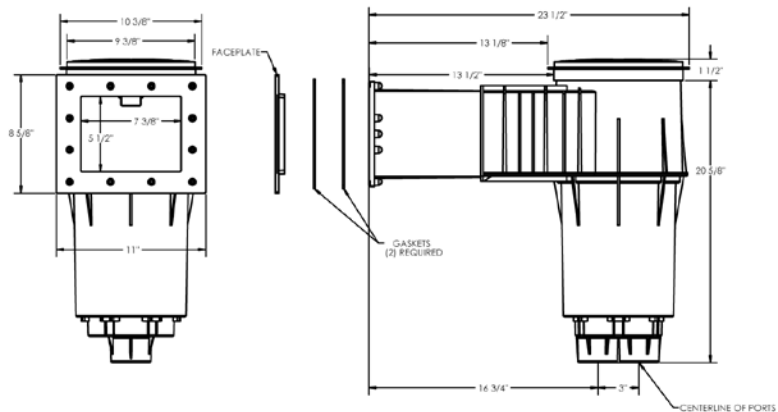
Short Throat Skimmer



Adminral S20 Skimmer for Concrete



Long Throat Skimmer



CALIFORNIA PROPOSITION 65 WARNING
 ⚠️ WARNING: Cancer and Reproductive Harm.
 ⚠️ AVERTISSEMENT: Peut Causer le Cancer et des Dommages au Système Reproducteur.
 ⚠️ ADVERTENCIA: Cáncer y Daño Reproductivo.
www.p65warnings.ca.gov P652014A

BERMUDA™ SKIMMERS

SKIMMERS FOR GUNITE POOLS



Gunite Skimmer

Featured Highlights

Choose among the following configurations:

- ABS or PVC
- White, black and tan colors available
- 1-1/2 in. or 2 in. slip or threaded ports
- Optional equalizer valve

Bermuda Skimmers feature a heavy-duty one-piece construction with sturdy external ribbing for superior strength.

Ordering Information

Product	Description	Material Type	Carton Qty.	Carton Wt. (Lbs.)
GUNITE SKIMMERS				
506300	2 in. Slip ports, white	PVC	1	10
506301	2 in. Threaded ports, white	PVC	1	10
506302	2 in. Slip ports, tan	PVC	1	10
506304	1-1/2 in. Slip ports, white	PVC	1	10
506361	2 in. Slip ports, white	ABS	1	10
506362	2 in. Threaded ports, white	ABS	1	10
506363	1-1/2 in. Slip ports, white	ABS	1	10
506364	1-1/2 in. Threaded ports, white	ABS	1	10
506365	2 in. Slip ports, black	ABS	1	10
GUNITE SKIMMERS WITH FLOAT VALVE ASSEMBLY				
506382	2 in. Slip ports, tan	ABS	1	10
506308	2 in. Slip ports with float valve, white	PVC	1	10
506309	2 in. Threaded ports with float valve, white	PVC	1	10
506310	2 in. Slip ports, tan	PVC	1	10
GUNITE SKIMMERS WITH FLOAT VALVE & EQUALIZER VALVE ASSEMBLY				
506370	2 in. slip ports, white ¹ (BKG)	PVC	1	10
506380	2 in. slip ports, white ¹ (ABKG)	ABS	1	10
506381	2 in. threaded ports, white ¹ (ABKG)	ABS	1	10

¹ NSF listed.



CALIFORNIA PROPOSITION 65 WARNING

⚠ **WARNING:** Cancer and Reproductive Harm.
 ⚠ **AVERTISSEMENT:** Peut Causer le Cancer et des Dommages au Système Reproducteur.
 ⚠ **ADVERTENCIA:** Cáncer y Daño Reproductivo.

www.p65warnings.ca.gov

PH20174A

BERMUDA™ SKIMMERS (CONT'D)



A



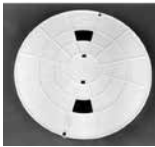
B



D



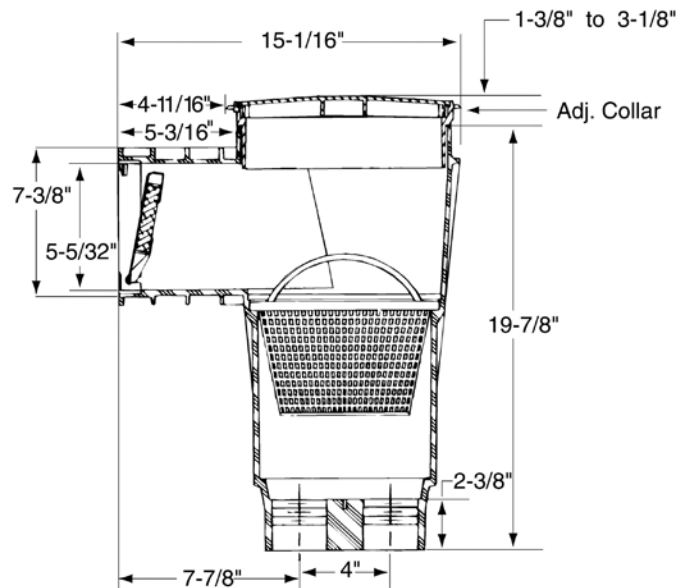
E



F

Item	Product	Description	Carton Wt. (Lbs.)
BERMUDA ACCESSORIES			
A	506160	Float valve assembly	1
B	506161	Vacuum plate/insert assembly, white	0.50
C	506162	Equalizer valve assembly	1.3
D	516220	Square deck ring seat, white	0.62
E	516253	Gunitite extension collar, white, 3-1/8 in. length	0.20
E	516258	Gunitite extension collar, tan, 3-1/8 in. length	0.60
E	516329	Gunitite extension collar, black, 3-1/8 in. length	0.60
F	510327	Deck lid and collar assembly with screws, dark gray	1.3
F	510332	Deck lid, dark gray	0.50
F	516215	Deck lid, white	0.50
F	516216	Deck lid, tan	0.50
F	516254	Deck lid and collar assembly with screws, white	1.3
F	516261	Deck lid and collar assembly with screws, tan	1.3
F	516306	Deck lid, black	0.50
F	516328	Deck lid and collar assembly with screws, black	1.3

Dimensions and Performance



CALIFORNIA PROPOSITION 65 WARNING

⚠️ **WARNING:** Cancer and Reproductive Harm.
 ⚠️ **AVERTISSEMENT:** Peut Causer le Cancer et des Dommages au Système Reproducteur.
 ⚠️ **ADVERTENCIA:** Cáncer y Daño Reproductivo.
www.p65warnings.ca.gov



U-3 SKIMMERS

SWIMQUIP INGROUND SKIMMERS



Ordering Information

Product	Description	Carton Qty.	Carton Wt. (Lbs.)
SKIMMERS FOR CONCRETE POOLS			
08650-1403	U-3 Skimmer White w/ White Lid & Frame, 2 in. NPT with 1-1/2 in. NPT Reducers; Incl. Float and Check Valve, Basket ¹	48	10
08650-3403	U-3 Skimmer Gray w/ Gray Lid & Frame, 2 in. NPT with 1-1/2 in. NPT Reducers; Incl. Float and Check Valve, Basket; NSF ¹	48	10
08650-3403E	U-3 Skimmer Gray, w/ Tan Lid & Frame, 2 in. NPT with 1-1/2 in. NPT Reducers; Incl. Float and Check Valve, Basket; NSF ¹	48	10
08650-2403	U-3 Skimmer White w/ Tan Lid & Frame, 2 in. NPT with 1-1/2 in. NPT Reducers; Incl. Float and Check Valve, Basket ¹	48	10
08650-1404	U-3 Skimmer White w/ White Lid & Frame, 2 in. Slip with 1-1/2 in. Slip Reducers; Incl. Float and Check Valve, Basket ¹	48	10
08650-3404	U-3 Skimmer Gray w/ Gray Lid & Frame, 2 in. Slip with 1-1/2 in. Slip Reducers; Incl. Float and Check Valve, Basket; NSF ¹	48	10
08650-3404E	U-3 Skimmer Gray, w/ Tan Lid & Frame, 2 in. Slip with 1-1/2 in. Slip Reducers; Incl. Float and Check Valve, Basket; NSF ¹	48	10
08650-2404	U-3 Skimmer White w/ Tan Lid & Frame, 2 in. Slip with 1-1/2 in. Slip Reducers; Incl. Float and Check Valve, Basket ¹	48	10

¹ NSF Certified. Only skimmers with Float Valve assemblies are NSF approved.

Note: All U-3 Skimmers are made with high strength ABS plastic.

CALIFORNIA PROPOSITION 65 WARNING

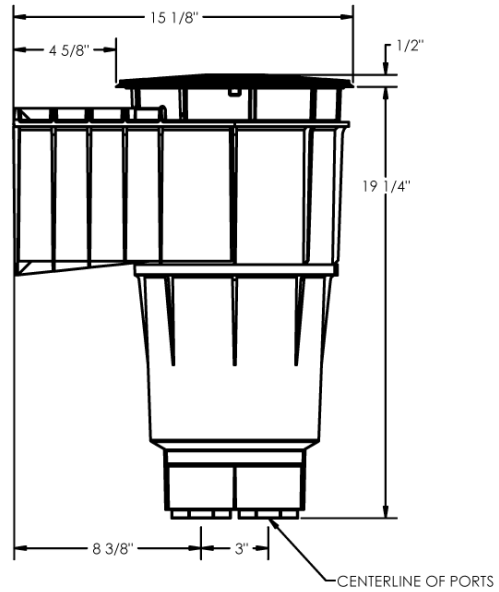
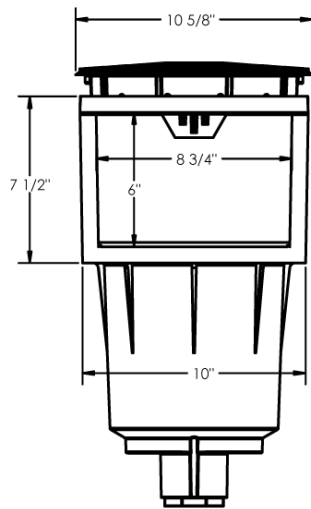
⚠ **WARNING:** Cancer and Reproductive Harm.
 ⚠ **AVERTISSEMENT:** Peut Causer le Cancer et des Dommages au Système Reproducteur.
 ⚠ **ADVERTENCIA:** Cáncer y Daño Reproductivo.

www.p65warnings.ca.gov
PN 202744

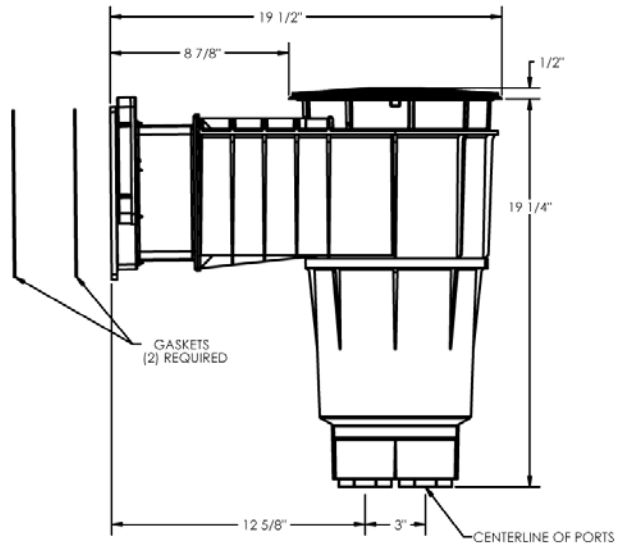
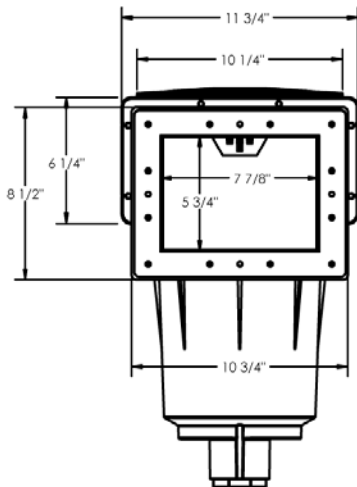
U-3 SKIMMERS (CONT'D)

SWIMQUIP INGROUND SKIMMERS

Dimensions and Performance



U3 Skimmer for concrete



CALIFORNIA PROPOSITION 65 WARNING

⚠ **WARNING:** Cancer and Reproductive Harm.
 ⚠ **AVERTISSEMENT:** Peut Causer le Cancer et des Dommages au Système Reproducteur.
 ⚠ **ADVERTENCIA:** Cáncer y Daño Reproductivo.
www.p65warnings.ca.gov

RETURN FITTINGS FOR SWIMMING POOLS



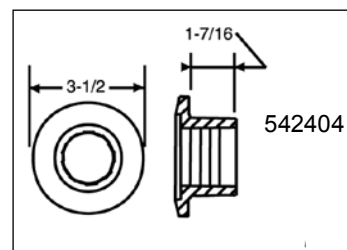
542402



542404



542405



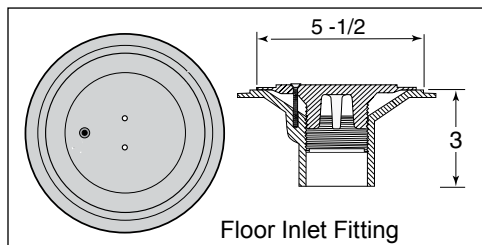
542417



542418



542419



Ordering Information

Product	Description	Carton Qty.	Carton Wt. (Lbs.)
GUNITE/CONCRETE			
542402	Long body, 1-1/2 in. threaded x 1-1/2 in. socket, white	50	9
542417	Long body, 1-1/2 in. threaded x 1-1/2 in. socket, black	50	9
542404	Standard body, 1-1/2 in. threaded x 1-1/2 in. threaded, white	50	9
542405	Standard body, 1-1/2 in. threaded x 1-1/2 in. socket, white	50	9
542418	Standard body, 1-1/2 in. threaded x 1-1/2 in. threaded, black	50	9
542419	Standard body, 1-1/2 in. threaded x 1-1/2 in. socket, black	50	9
INSIDER FITTINGS FOR GUNITE/CONCRETE POOLS			
542423	2 in. slip body, for schedule 40 pvc pipe, white	50	7
542424	2 in. slip body, for schedule 40 pvc pipe, black	50	7
ENERGY EFFICIENT FITTINGS			
178741	Sweep Elbow, PVC, White, 2-1/2 in. Socket, 3 in. Spigot. W=.75	1	0.92
FLOOR INLET FITTINGS			
08417-0000	2 in. Slip with 1-1/2 in. slip bushing, white ³	1	1
08417-0100	2 in. Slip with 1-1/2 in. slip bushing, gray ³	1	1
08417-0200	2 in. Slip with 1-1/2 in. slip bushing, black ³	1	1

¹ Includes face plate, screws & gaskets.

² Includes back gaskets.

CALIFORNIA PROPOSITION 65 WARNING

⚠ **WARNING:** Cancer and Reproductive Harm.
 ⚠ **AVERTISSEMENT:** Peut Causer le Cancer et des Dommages au Système Reproducteur.
 ⚠ **ADVERTENCIA:** Cáncer y Daño Reproductivo.

www.p65warnings.ca.gov. PR630714

AUTOMATIC WATER FILLERS

WATER LEVEL CONTROL

Featured Highlights

- Available for standard in-ground and vanishing edge pools
- Prevents equipment damage due to low water levels
- No electronic controls
- Prevents water waste and landscape damage due to overfilling pool
- Available with white, black, gray, and almond colored lids

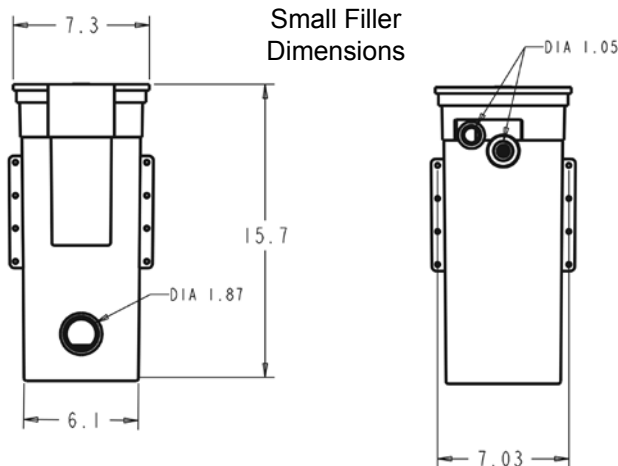


Automatic Water Fillers

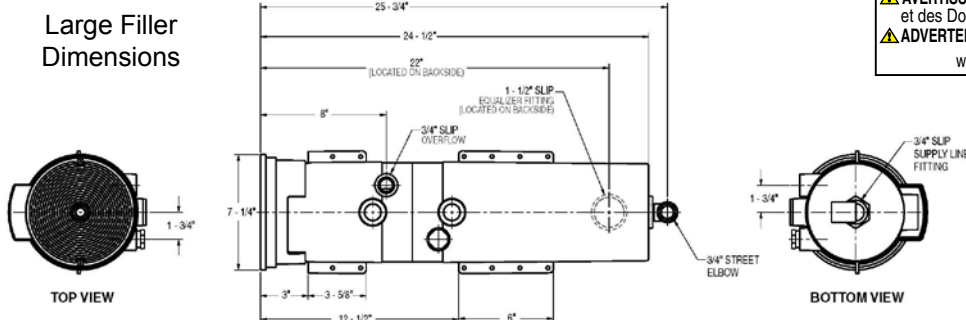
Ordering Information

Product	Description
AUTOMATIC WATER FILLERS	
T40BBE	AutoFill w/ side mounted float valve, almond
T40BBK	AutoFill w/ side mounted float valve, black
T40BG	AutoFill w/ side mounted float valve, gray
T40BDG	AutoFill w/side mounted float valve, dark gray
T40BW	AutoFill w/ side mounted float valve, white
T40FB	AutoFill w/ Fluidmaster® valve, almond
T40FBK	AutoFill w/ Fluidmaster valve, black
T40FG	AutoFill w/ Fluidmaster valve, gray

Product	Description
AUTOMATIC WATER FILLERS	
T40FW	AutoFill w/ Fluidmaster valve, white
T40FDG	AutoFill 2/Fluidmaster valve, dark gray
T40FNB	AutoFill Vanishing Edge w/ Fluidmaster valve, almond
T40FNBK	AutoFill Vanishing Edge w/ Fluidmaster valve, black
T40FNG	AutoFill Vanishing Edge w/ Fluidmaster valve, gray
T40FNDG	AutoFill Vanishing Edge w/ Fluidmaster valve, dark gray
T40FNW	AutoFill Vanishing Edge w/ Fluidmaster valve, white



Fluidmaster Valve



CALIFORNIA PROPOSITION 65 WARNING

⚠️ **WARNING:** Cancer and Reproductive Harm.
 ⚠️ **AVERTISSEMENT:** Peut Causer le Cancer et des Dommages au Système Reproducteur.
 ⚠️ **ADVERTENCIA:** Cáncer y Daño Reproductivo.

www.p65warnings.ca.gov. PA22B71A

PENTAIR PROWLER® 930W

ROBOTIC INGROUND POOL CLEANER

TRADEGRADE



Pentair Prowler 930W

This pool cleaner is the right option for people who want the easiest way to control their pool cleaning. Mainly because it provides pool owners with anytime control via the Pentair Home app. The 930W connects to WiFi for smart device control.



Powered by Dolphin



Featured Highlights

- Using a smart device, the Pentair Home app lets pool owners go right to the problem spots and get them done fast
- All-surface deep cleaning using a powerful, high-speed scrubbing brush
- Programmable daily cleaning schedules
- Dual-level filtration with top access basket captures both large and ultra-fine debris
- Robust storage caddy for increased mobility and easy storage

CALIFORNIA PROPOSITION 65 WARNING
 ⚠️ **WARNING:** Cancer and Reproductive Harm.
 ⚠️ **AVERTISSEMENT:** Peut Causer le Cancer et des Dommages au Système Reproducteur.
 ⚠️ **ADVERTENCIA:** Cáncer y Daño Reproductivo.
www.p65warnings.ca.gov PN201714

Ordering Information

Product	Description	Carton Qty.	Carton Wt. (Lbs.)
PENTAIR PROWLER 930W ROBOTIC CLEANER			
360540	Prowler 930W Robotic Inground Pool Cleaner	1	40

PENTAIR PROWLER® 920

ROBOTIC INGROUND POOL CLEANER

TRADEGRADE



Pentair Prowler 920

Pool walls and floor get deep-scrubbing and powerful vacuuming action, all the way up to the tile line. Prowler 920 comes with separate mesh baskets made for either large or fine debris, to customize the filtration level or do lightning-fast swap out for touchups.



Powered by Dolphin



Featured Highlights

- All-surface deep cleaning with a powerful, high-speed scrubbing brush
- Fast and easy debris removal with a top access filtration basket
- Select from a large or fine debris filtration cartridges
- Programmable daily cleaning schedules with a built-in weekly timer

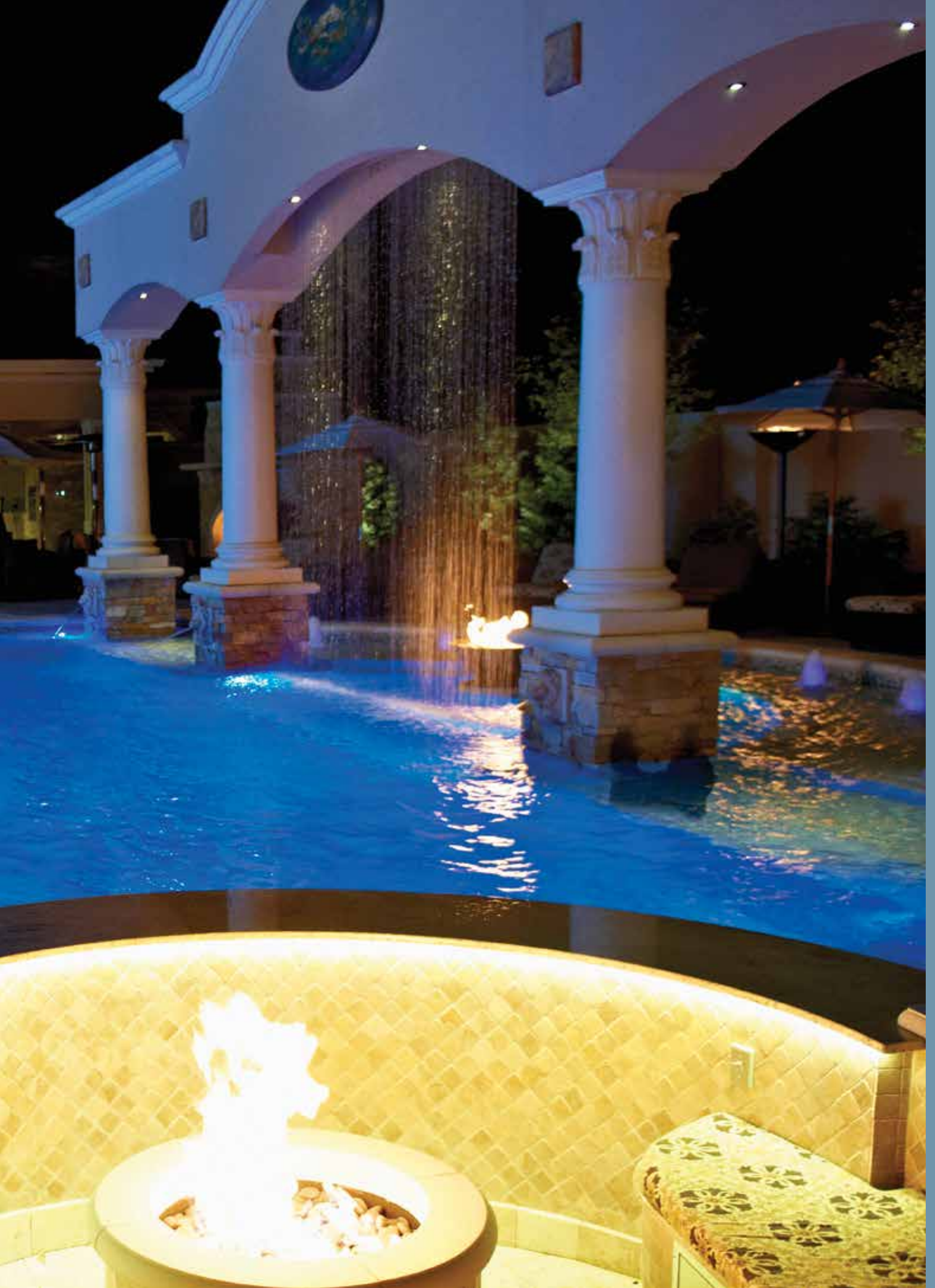
CALIFORNIA PROPOSITION 65 WARNING
 ⚠️ **WARNING:** Cancer and Reproductive Harm.
 ⚠️ **AVERTISSEMENT:** Peut Causer le Cancer et des Dommages au Système Reproducteur.
 ⚠️ **ADVERTENCIA:** Cáncer y Daño Reproductivo.
www.p65warnings.ca.gov PN201714

Ordering Information

Product	Description	Carton Qty.	Carton Wt. (Lbs.)
PENTAIR PROWLER 920 ROBOTIC CLEANER			
360322	Prowler 920 Robotic Inground Pool Cleaner	1	29



PUMPS



COMMERCIAL ACU DRIVE™ XS

VARIABLE FREQUENCY DRIVE

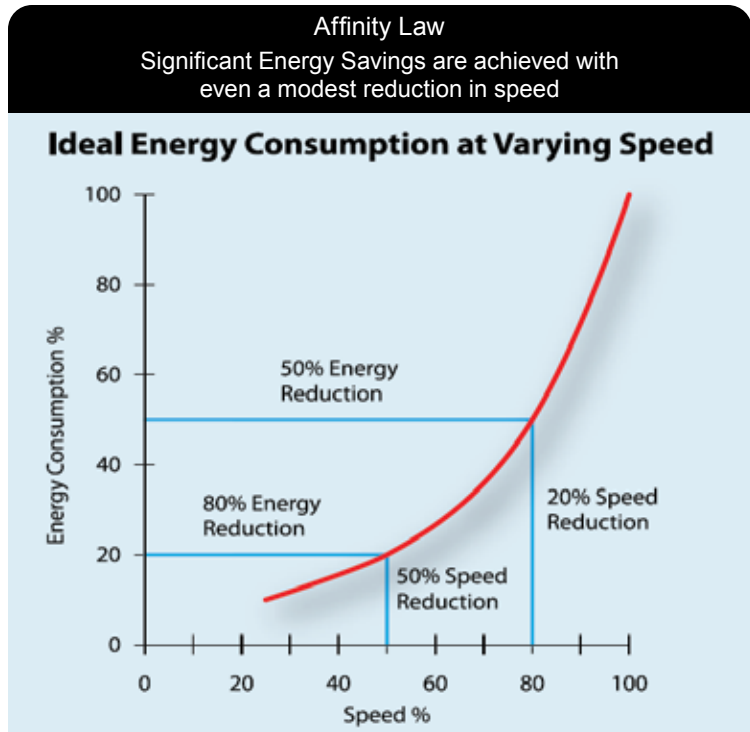


Featured Highlights

- Save up to 60% or more on pump's electricity usage*
- "Right-size" your pump to the exact flow required
- Helps save energy with constant flow as the filters gets dirty (with optional flow sensor)
- Off-hour flow management capability
- Does not blow corrosive filter-room air across the circuitry
- High efficiency up to 98% – adjusts drive input voltage for best efficiency point
- Eliminates need for motor starters
- Integrated disconnects, fusing and optional bypasses
- 2-step ramps (Soft Start Feature)
- Real-time clock for time based functions
- Great match for 3-phase models of EQ Series® Pumps
- Overload trip protection helps protect motor and Acu Drive XS VFD Drive from Voltage Spikes and phase unbalance
- Can connect to an IntelliTouch® Automation System
- Optional: Factory Start-up upgrade available
- Indoor & Outdoor-rated enclosures
- One drive type for the full power range
- For use with 3 phase pumps only
- Acu Drive XS VFD Drives with single phase input power available

The Acu Drive XS VFD Drive offers built-in intelligence for increased performance in all aquatic pump applications. Specified for energy and cost savings, the Acu Drive XS VFD Drive offers a fast return on investment. The Acu Drive XS VFD Drive allows the pump to run at its most efficient point on the curve. Preventative maintenance costs will drop due to motor protection, motor soft start, and a significant decrease in water hammer protecting the shaft and impeller. Up to an additional 5% savings due to the Acu Drive XS VFD Drive's ability to balance power phase and harmonic suppression. Built with powerful standard and optional features specifically designed for energy optimization, the Acu Drive XS VFD Drive is perfectly matched with the full line of Pentair Commercial pumps.

CALIFORNIA PROPOSITION 65 WARNING
 ⚠️ **WARNING:** Cancer and Reproductive Harm.
 ⚠️ **AVERTISSEMENT:** Peut Causer le Cancer et des Dommages au Système Reproducteur.
 ⚠️ **ADVERTENCIA:** Cáncer y Daño Reproductivo.
www.p65warnings.ca.gov PH.202114



*Savings based on single speed pool pumps traditionally configured without VFD's, up to 20% larger than actual required flow and head pressure. Actual savings may vary based on local utility rates, pool size, pump run time, pump horsepower, pump RPM, plumbing size and length, pump model, service factor and other hydraulic factors.

COMMERCIAL ACU DRIVE™ XS

VARIABLE FREQUENCY DRIVE (CONT'D)

Ordering Information

3-PHASE INCLUDES FUSED DISCONNECT, BATTERY BACKUP, & PENTAIR SMART START*						
Horse Power (HP)	NEMA-12 RATED (IP 54/55)			NEMA-4X RATED (IP 66)		
	200-240 VAC	360-480 VAC	525-600 VAC	200-240 VAC	360-480 VAC	525-600 VAC
3	AD030X-2303-N12	AD030X-4603-N12	AD030X-5753-N12	AD030X-2303-N4X	AD030X-4603-N4X	AD030X-5753-N4X
5	AD050X-2303-N12	AD050X-4603-N12	AD050X-5753-N12	AD050X-2303-N4X	AD050X-4603-N4X	AD050X-5753-N4X
7-1/2	AD075X-2303-N12	AD075X-4603-N12	AD075X-5753-N12	AD075X-2303-N4X	AD075X-4603-N4X	AD075X-5753-N4X
10	AD100X-2303-N12	AD100X-4603-N12	AD100X-5753-N12	AD100X-2303-N4X	AD100X-4603-N4X	AD100X-5753-N4X
15	AD150X-2303-N12	AD150X-4603-N12	AD150X-5753-N12	AD150X-2303-N4X	AD150X-4603-N4X	AD150X-5753-N4X
20	AD200X-2303-N12	AD200X-4603-N12	AD200X-5753-N12	AD200X-2303-N4X	AD200X-4603-N4X	AD200X-5753-N4X
25	AD250X-2303-N12	AD250X-4603-N12	AD250X-5753-N12	AD250X-2303-N4X	AD250X-4603-N4X	AD250X-5753-N4X

SINGLE-PHASE INPUT DRIVES (FOR USE WITH 3-PHASE PUMPS ONLY)
INCLUDES STANDARD DISCONNECT ONLY (NO FUSES), BATTERY BACKUP, & PENTAIR SMART START*

Horse Power (HP)	NEMA-12 RATED (IP 54/55)		NEMA-4X RATED (IP 66)	
	200-240 VAC		200-240 VAC	
3	AD030X-2301-N12		AD030X-2301-N4X	
5	AD050X-2301-N12		AD050X-2301-N4X	
7-1/2	AD075X-2301-N12		AD075X-2301-N4X	
10	AD100X-2301-N12		AD100X-2301-N4X	
15 - 20	AD200X-2301-N12		AD200X-2301-N4X	

For 30HP and higher - Please contact factory.

3-PHASE Units available with Optional Bypass Contactor mounted to common back plate. Please contact factory.

*Startup Services

CERTIFIED START-UP ASSISTANCE BY TRAINED TECHNICIANS IS AVAILABLE FOR PURCHASE WITH ALL ACU DRIVE VFD's. USE PRODUCT NUMBERS AS FOLLOWS:	
AD-STDSU01	Startup for single Drive (with or without Bypass Option)
AD-SUDW01	Batch Startup for 2-3 standard drives (4 hr. onsite / day)
AD-SUFW01	Batch Startup for 4-6 standard drives (8 hr. onsite / day)

Optional Accessories and Warranties

"ENHANCED SERVICE WARRANTY - ON SITE" INCLUDES PARTS, LABOR, TRAVEL AND ON-SITE WARRANTY REPAIR. USE PRODUCT NUMBERS AS FOLLOWS:"				
	200-240 VAC		360-480 VAC	
DURATION	3 HP & Below	5-25 HP	10 HP & Below	15-40 HP
6 YEARS	AD-EWW172	AD-EWW272	AD-EWW172	AD-EWW272

Flow Sensor Options

ACU DRIVE XS - FLOW SENSOR KITS			
Pipe Size (inches)	Flow Sensor Blind		Flow Sensor Display
2"	97014-4202KIT	Includes: • Sch80 PVC Clamp-on Pipe Saddle. • 100 linear feet shielded signal wire. • Strain relief connector.	—
3"	97014-4203KIT		97014BL-03KIT
4"	97014-4204KIT		97014BL-04KIT
6"	97016-4206KIT	Does <u>not</u> include separate wall-mount flow display.	97016BL-06KIT
8"	97016-4208KIT		97016BL-08KIT
10"	—		97020BL-10KIT
12"	—		97020BL-12KIT
14"	—		97020BL-14KIT
			97014MM-4204KIT
			97016MM-4206KIT
			97016MM-4208KIT

*Additional charges will apply if on-site start-up exceeds four hours (including round-trip travel) per Acu Drive XS Drive.

Other options and add-ons are available including "Bypass Contactors", and "Contact Motor Select" upgrades, and additional on-site technical training. For more information on these options, other sizes, or applications assistance call 1-800-831-7133.

Some pump motors (e.g. 230/460V versions) can be wired to accommodate multiple voltages. This is not true of VFDs. In order to ensure proper VFD selection, the actual pump motor input voltage must be consistent with the drives operating range as shown.

The Acu Drive VF Drive is recommended for use with all "High" or "Premium" efficiency motors and all motors that have Class F insulation or better. For all non-Class F motors, please contact the factory for proper selection of Acu Drive XS Drive and accessories.

Standard Acu Drive XS VF Drives can be returned within 12 months of invoice only if unused, in original packaging, and subject to a 35% restocking charge. Special drives are non-returnable.

Nema Rated 12 enclosure provides protection against dust, dirt and light splashing. Nema Rated 12 units may be used outdoors when sheltered from direct precipitation and sunlight.

Nema Rated 4X enclosure provides a degree of protection against solid foreign objects (windblown dust), water (rain, sleet, snow, splashing water, and hose directed water), and an additional level of protection against corrosion; and that will be undamaged by the external formation of ice on the enclosure.

EQ SERIES®

COMMERCIAL PLASTIC PUMP WITH AND WITHOUT HAIR AND LINT STRAINER



EQ Series TEFC Pump with Strainer



EQ Series Pump without Strainer

Commercial Plastic pump built specifically for commercial and large residential pools. Pump features electrical and hydraulic designs that helps reduce electrical costs, less wear and tear on critical moving parts, and lightweight for ease of installation.

CALIFORNIA PROPOSITION 65 WARNING

⚠️ **WARNING:** Cancer and Reproductive Harm.
 ⚠️ **AVERTISSEMENT:** Peut Causer le Cancer et des Dommages au Système Reproducteur.
 ⚠️ **ADVERTENCIA:** Cáncer y Daño Reproductivo.

www.p65warnings.ca.gov PN 201714

Featured Highlights

- Efficiency 3-phase motors
- Commercial grade, non-corrosive Plastic Parts for durability and long life
- Now available in TEFC and ODP 3-phase motor options
- Cam and Ramp™ See -Through Lid
- Self-priming with Hair and Lint Strainer
- Light weight
- 3-phase models compatible with Acu Drive™ XS VF Drive
- Drop-in replacement for C Series® and CSP Series™ Pumps
- Waterfall models great for low head, high flow applications
- Easy cleaning and serviceability
- 50 Hz models available -contact factory

Ordering Information

Product	Description	Voltage	Amps	HP	SF	SFHP	Primary Listings and Certifications ⁸	Port Size (ANSI Flange)	Motor Class	Carton Wt. (Lbs.)	Curve Key
PREMIUM EFFICIENCY SINGLE PHASE POOL PUMP WITHOUT STRAINER - ODP											
▶ 340019	EQ-500	230	20.0	5	1.15	5.75	NSF ² , ETL ⁵	6 in. x 4 in.	F	97	A
▶ 340021	EQ-750	230	30.4	7.5	1.15	8.63	NSF ²	6 in. x 4 in.	F	132	B
▶ 340237	EQ-1000	230	40.0	10	1.15	11.50	NSF ²	6 in. x 4 in.	F	125	C
NEMA RATED PREMIUM EFFICIENCY THREE PHASE POOL PUMP WITHOUT STRAINER - ODP											
▶ 340020	EQK-500	208-230/460	13.5-12.3/6.2	5	1.15	5.75	NSF ²	6 in. x 4 in.	F	77	D
▶ 340022	EQK-750	208-230/460	20.4-18.2/9.1	7.5	1.15	8.63	NSF ²	6 in. x 4 in.	F	87	E
▶ 340023	EQK-1000	208-230/460	27.0/26.2-13.1	10	1.15	11.50	NSF ²	6 in. x 4 in.	F	117	F
▶ 340024	EQK-1500	208-230/460	40.0-38.0/18.8	15	1.15	17.25	NSF ²	6 in. x 4 in.	F	132	G
NEMA RATED PREMIUM EFFICIENCY THREE PHASE POOL PUMP WITHOUT STRAINER - TEFC											
▶ 340608	EQKT-500	208-230/460	13.4-12.2/6.1	5	1.25	6.25	NSF ² , UL ⁷	6 in x 4 in	F	97	D
▶ 340609	EQKT-750	208-230/460	19.9-17.8/8.9	7.5	1.25	9.38	NSF ² , UL ⁷	6 in x 4 in	F	117	E
▶ 340610	EQKT-1000	208-230/460	26.4-23.5/11.7	10	1.25	12.50	NSF ² , UL ⁷	6 in x 4 in	F	163	F
▶ 340611	EQKT-1500	208-230/460	39.0-36.0/18.0	15	1.25	18.75	NSF ² , UL ⁸	6 in x 4 in	F	177	G
NEMA RATED PREMIUM EFFICIENCY THREE PHASE POOL PUMP WITHOUT STRAINER - 575 VOLT - ODP											
▶ 340148	EQK-500	575	5.1	5	1.15	5.75	NSF ²	6 in. x 4 in.	F	77	D
▶ 340149	EQK-750	575	7.2	7.5	1.15	8.63	NSF ²	6 in. x 4 in.	F	87	E
▶ 340150	EQK-1000	575	10.2	10	1.15	11.50	NSF ²	6 in. x 4 in.	F	117	F
▶ 340151	EQK-1500	575	15.0	15	1.15	17.25	NSF ²	6 in. x 4 in.	F	132	G
PREMIUM EFFICIENCY SINGLE PHASE POOL PUMP WITH STRAINER - ODP											
▶ 340030	EQ-500	230	20.0	5	1.15	5.75	NSF ³ , ETL ⁵	6 in. x 4 in.	F	126	A
▶ 340032	EQ-750	230	30.4	7.5	1.15	8.63	NSF ³	6 in. x 4 in.	F	161	B
▶ 340238	EQ-1000	230	40.0	10	1.15	11.50	NSF ³	6 in. x 4 in.	F	160	C
NEMA RATED PREMIUM EFFICIENCY THREE PHASE POOL PUMP WITH STRAINER - ODP											
▶ 340031	EQK-500	208-230/460	13.5-12.3/6.2	5	1.15	5.75	NSF ³	6 in. x 4 in.	F	106	D
▶ 340033	EQK-750	208-230/460	20.1-18.3/9.1	7.5	1.15	8.63	NSF ³	6 in. x 4 in.	F	116	E
▶ 340034	EQK-1000	208-230/460	27.0/26.2-13.1	10	1.15	11.50	NSF ³	6 in. x 4 in.	F	146	F
▶ 340035	EQK-1500	208-230/460	40.0-36.0/17.8	15	1.15	17.25	NSF ³	6 in. x 4 in.	F	161	G
NEMA RATED PREMIUM EFFICIENCY THREE PHASE POOL PUMP WITH STRAINER - TEFC											
▶ 340604	EQKT-500	208-230/460	13.4-12.2/6.1	5	1.25	6.25	NSF ³ , UL ⁷	6 in x 4 in	F	127	D
▶ 340605	EQKT-750	208-230/460	19.9-17.8/8.9	7.5	1.25	9.38	NSF ³ , UL ⁷	6 in x 4 in	F	147	E
▶ 340606	EQKT-1000	208-230/460	26.4-23.5/11.7	10	1.25	12.50	NSF ³ , UL ⁷	6 in x 4 in	F	193	F
▶ 340607	EQKT-1500	208-230/460	39.0-36.0/18.0	15	1.25	18.75	NSF ³ , UL ⁸	6 in x 4 in	F	207	G

▶ This product either meets or is exempt from the DOE Dedicated Purpose Pool Pump regulation. This product will remain available after the DOE regulation takes effect in July 2021.

EQ SERIES®

COMMERCIAL PLASTIC PUMP WITH AND WITHOUT HAIR AND LINT STRAINER

Product	Description	Voltage	Amps	HP	SF	SFHP	Primary Listings and Certifications ⁶	Port Size (ANSI Flange)	Motor Class	Carton Wt. (Lbs.)	Curve Key
NEMA RATED PREMIUM EFFICIENCY THREE PHASE POOL PUMP WITH STRAINER - ODP - 575 VOLT											
▶ 340155	EQK-500	575	5.1	5	1.15	5.75	NSF ³	6 in. x 4 in.	F	106	D
▶ 340156	EQK-750	575	7.2	7.5	1.15	8.63	NSF ³	6 in. x 4 in.	F	116	E
▶ 340157	EQK-1000	575	10.2	10	1.15	11.50	NSF ³	6 in. x 4 in.	F	146	F
▶ 340159	EQK-1500	575	15.0	15	1.15	17.25	NSF ³	6 in. x 4 in.	F	161	G
SINGLE PHASE WATERFALL PUMP WITHOUT STRAINER - ODP - 1750 RPM											
▶ 340014	EQW-300	208-230	19.5/19.2	3	1.15	3.45	NSF ² , ETL ⁵	6 in. x 4 in.	F	97	H
▶ 340017	EQW-500	208-230	23.0-20.1	5	1.25	6.25	NSF ² , ETL ⁵	6 in. x 4 in.	F	97	I
NEMA RATED PREMIUM EFFICIENCY THREE PHASE WATERFALL PUMP WITHOUT STRAINER - ODP - 1750 RPM											
▶ 340016	EQWK-300	208-230/460	8.4-7.8/3.9	3	1.15	3.45	NSF ²	6 in. x 4 in.	F	77	H
▶ 340018	EQWK-500	208-230/460	13.8-13.0/6.5	5	1.25	6.25	NSF ²	6 in. x 4 in.	F	77	I
SINGLE PHASE WATERFALL PUMP WITH STRAINER - ODP - 1750 RPM											
▶ 340026	EQW-300	208/230	19.5/19.2	3	1.15	3.45	NSF ³ , ETL ⁵	6 in. x 4 in.	F	126	H
▶ 340028	EQW-500	208-230	23.0/20.1	5	1.25	6.25	NSF ⁴ , ETL ⁵	6 in. x 4 in.	F	126	I
NEMA RATED PREMIUM EFFICIENCY THREE PHASE WATERFALL PUMP WITH STRAINER - ODP											
▶ 340027	EQWK-300	208-230/460	8.4-7.8/3.9	3	1.15	3.45	NSF ³	6 in. x 4 in.	F	106	H
▶ 340029	EQWK-500	208-230/460	13.8-13.0/6.5	5	1.25	6.25	NSF ⁴	6 in. x 4 in.	F	106	I
HAIR AND LINT STRAINER WITH CAM AND RAMP LID, BASKET AND HARDWARE											
340013	EQ 6X6 Strainer						NSF ⁴	6 in. x 6 in.		33	J
EQ SERIES PUMP ACCESSORIES FLANGE ASSEMBLY KITS											
357262	Flange 4 in. w/ gasket and SS hardware ¹	(See images on next page)								20	
357263	Flange 6 in. w/ gasket and SS hardware ¹	(See images on next page)								23	
357212	Flange 6 in. w/ gasket and SS hardware.	For use on EQ Pumps without Strainer.								23	

See page 249 for an assortment of PS Series In-Line Strainers that work well with EQ Series pumps.

¹ Thermoplastic PVC socket style.

² 'NSF' indicates that pump bears a mark signifying evaluation to NSF Standard 50 For Non Self-Priming Centrifugal Pumps For Swimming Pools, Spas and Hot Tubs.

³ 'NSF' indicates that pump bears a mark signifying evaluation to NSF Standard 50 For Self-Priming Centrifugal Pumps For Swimming Pools, Spas and Hot Tubs.

⁴ 'NSF' indicates that product bears a mark signifying evaluation to NSF Standard 50 For Materials and Components.

⁵ 'ETL' indicates that pump bears a specific ETL mark signifying evaluation to U.S. Standards UL1081 for Permanently Connected Swimming Pool and Spa Pumps and to Canadian Standards CAN/CSA C22.2 No. 108-01 Liquid Pumps For Swimming Pools And Spas. (Enclosure 3).

⁶ Product may have been evaluated to other state and local regulatory standards. Listing status may change. Always confirm status with appropriate agency if in doubt.

⁷ 'UL' indicates that pump bears a UL mark signifying evaluation to U.S. Standards UL1081 for Permanently Connected Swimming Pool and Spa Pumps and to Canadian Standards CAN/CSA C22.2 No. 108-01 Liquid Pumps For Swimming Pools Only (Enclosure 3).

⁸ 'UL' indicates that pump bears a UL mark signifying evaluation to U.S. Standards UL1081 for Permanently Connected Swimming Pool and Spa Pumps.

Dimensions and Performance - See next page.

CALIFORNIA PROPOSITION 65 WARNING

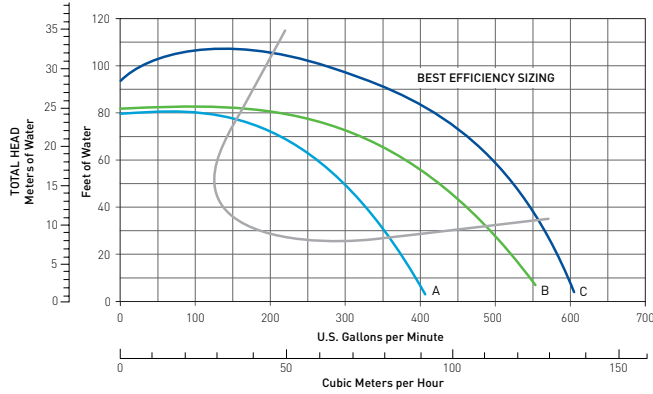
▲ **WARNING:** Cancer and Reproductive Harm.
 ▲ **AVERTISSEMENT:** Peut Causer le Cancer et des Dommages au Système Reproducteur.
 ▲ **ADVERTENCIA:** Cáncer y Daño Reproductivo.
www.p65warnings.ca.gov P65-2014

EQ SERIES®

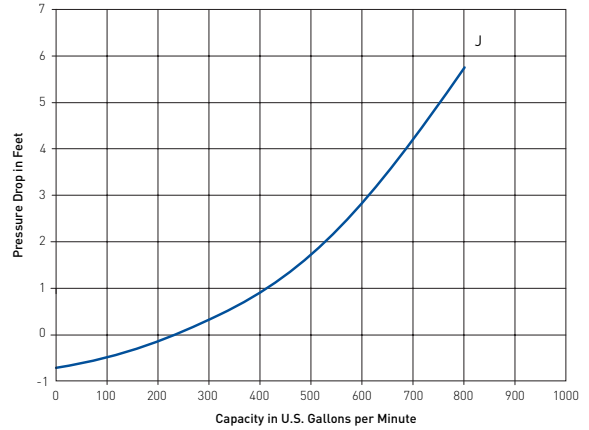
COMMERCIAL PLASTIC PUMP WITH AND WITHOUT HAIR AND LINT STRAINER (CONT'D)

Dimensions and Performance

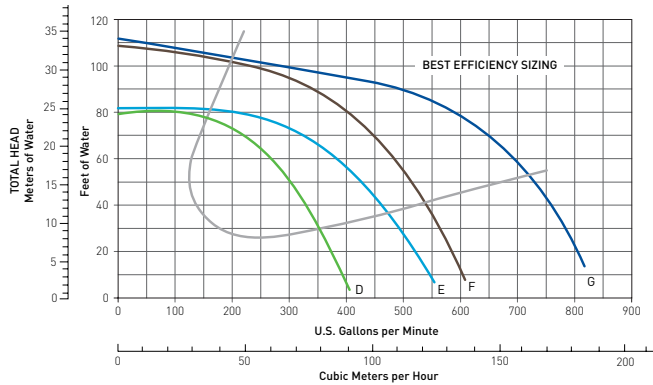
Single Phase Pumps - EQ Models



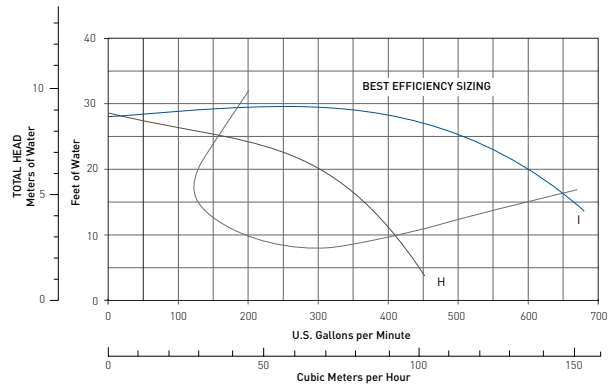
EQ Strainer Only



Three Phase Pumps - EQK Models



WaterFall Pumps - EQW & EQWK Models



For detailed efficiency curves go to www.pentair.com

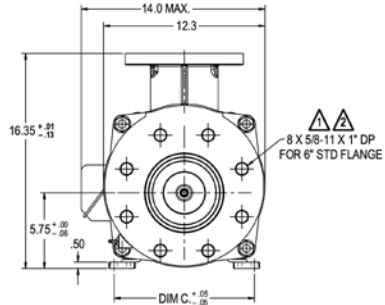
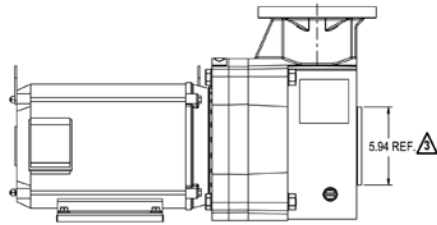
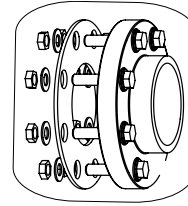
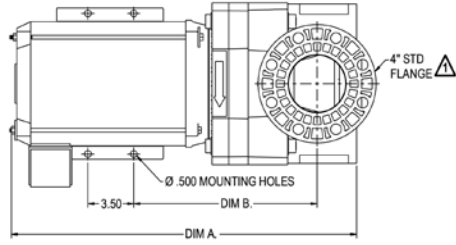
EQ SERIES®

COMMERCIAL PLASTIC PUMP WITH AND WITHOUT HAIR AND LINT STRAINER (CONT'D)

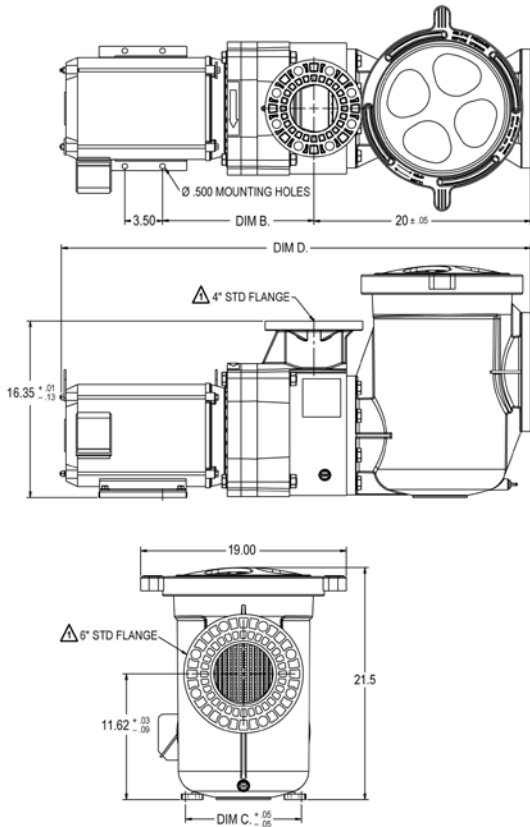
Dimensions and Performance

EQ Series Commercial Pump without Strainer

EQ Series Pump Flange Assembly Kit



EQ Series Commercial Pump with Strainer



Product No W/O Pot	Product No. W/ Pot	Dim A*	Dim B*	Dim C*	Dim D*
340014	340026	26.62	13.32	9.69	43.59
340017	340028	26.62	14.21	9.69	43.59
340019	340030	26.62	13.32	9.69	43.59
340021	340032	27.53	14.21	10.69	44.59
340237	340238	26.94	14.03	10.69	43.92
340016	340027	23.12	13.32	9.69	40.09
340018	340029	23.12	13.32	9.69	40.09
340020	340031	23.12	13.32	9.69	40.09
340022	340033	24.50	13.32	9.69	41.56
340023	340034	26.31	14.38	10.69	43.29
340024	340035	26.31	14.38	10.69	43.29
340148	340155	24.62	13.32	7.50	41.59
340149	340156	24.62	13.32	7.50	41.59
340150	340157	26.31	14.07	8.50	43.29
340151	340159	26.31	14.07	8.50	43.29
340608	340604	24.52	13.48	9.69	41.50
340609	340605	26.52	14.19	10.69	43.50
340610	340606	28.02	14.19	10.69	45.00
340611	340607	28.02	14.19	10.69	45.00
340086	340082	24.62	13.48	9.69	41.59
340085	340081	24.62	13.48	9.69	41.59
340084	340080	28.31	14.19	10.69	45.29
340083	340049	28.31	14.19	10.69	45.29
340048	340046	28.31	14.19	10.69	45.29
340047	340045	28.31	14.19	10.69	45.29

* This value may vary slightly depending upon manufacturer and motor design.

- △ FASTENERS AND O-RING ARE INCLUDED WITH PENTAIR POOL PRODUCTS EQ 6X6 STRAINER TO CONNECT STRAINER DIRECTLY TO EQ SERIES PUMP. IF PUMP IS TO BE INSTALLED WITHOUT STRAINER MAKE BOTH CONNECTIONS PER NOTE 1.
- △ USE ANSI CLASS 150 PLASTIC FLANGE AND 1/8 in. THICK CLASS 150 FULL FLANGE GASKET TO MAKE CONNECTION.
- △ THIS DIAMETER FITS INSIDE 6 in. SCH 40 PIPE. DO NOT USE SCH 80 PIPE AS FINAL PIPE SIZE WHEN MAKING THIS FLANGE CONNECTION.

C SERIES®

COMMERCIAL BRONZE PUMPS



C Series Commercial Bronze Pump

Bronze volute and pot, coated cast iron foot, flanged connections, 6 in. suction, 4 in. discharge.

CALIFORNIA PROPOSITION 65 WARNING

⚠️ **WARNING:** Cancer and Reproductive Harm.
 ⚠️ **AVERTISSEMENT:** Peut Causer le Cancer et des Dommages au Système Reproducteur.
 ⚠️ **ADVERTENCIA:** Cáncer y Daño Reproductivo.
www.p65warnings.ca.gov PH.201714

Featured Highlights

- Large commercial pump with s/s basket
- Easy serviceability
- All-bronze construction for strength and durability
- 6 in. suction and 4 in. discharge for maximum capabilities
- Heavy-gauge stainless steel strainer basket with an open area 5 times the area of the suction port
- Closed impeller for longer motor bearing life
- Heat-resistant seal capable of operation at up to 150°
- Available in single and three-phase, 50 and 60-Hertz models
- For 200-208v applications order 200-208v model pump

Ordering Information

Product	Description	Voltage	Amps	HP	SF	SFHP	Primary Listings and Certifications ²	Motor Class	Port Size (ANSI Flange)	Carton Wt. (Lbs.)	Curve Key
NEMA RATED STANDARD EFFICIENCY SINGLE PHASE 230V											
▶011651	CM-50	230	24.0	5	1.15	5.75	NSF ¹	B	6 in. x 4 in.	352	F
▶011656	CH-50	230	24.0	5	1.15	5.75	NSF ¹	B	6 in. x 4 in.	352	A
▶347917	CM-75	230	37.0	7-1/2	1.15	8.63	NSF ¹	B	6 in. x 4 in.	375	G
▶347916	CH-75	230	37.0	7-1/2	1.15	8.63	NSF ¹	B	6 in. x 4 in.	375	B
▶347964	CM-100	230	51.0	10	1.15	11.50	NSF ¹	B	6 in. x 4 in.	370	H
▶347963	CH-100	230	51.0	10	1.15	11.50	NSF ¹	B	6 in. x 4 in.	370	C
NEMA RATED STANDARD EFFICIENCY SINGLE PHASE 200 - 208V											
▶347938	CM-50	200-208	29.0	5	1.15	5.75	NSF ¹	B	6 in. x 4 in.	322	F
▶348001	CM-75	200-208	42.6	7-1/2	1.15	8.63	NSF ¹	B	6 in. x 4 in.	375	G
NEMA RATED STANDARD EFFICIENCY THREE PHASE 200 - 208V											
▶347940	CMK-50	200-208	16.1	5	1.15	5.75	NSF ¹	B	6 in. x 4 in.	346	F
▶347941	CHK-50	200-208	16.1	5	1.15	5.75	NSF ¹	B	6 in. x 4 in.	350	A
▶347942	CMK-75	200-208	22.3	7-1/2	1.15	8.63	NSF ¹	B	6 in. x 4 in.	346	G
▶347943	CHK-75	200-208	22.3	7-1/2	1.15	8.63	NSF ¹	B	6 in. x 4 in.	346	B
▶347944	CMK-100	200-208	28.7	10	1.15	11.50	NSF ¹	B	6 in. x 4 in.	370	H
▶347945	CHK-100	200-208	28.7	10	1.15	11.50	NSF ¹	B	6 in. x 4 in.	356	C
▶347948	CHK-200	200-208	54.0	20	1.15	23.00	NSF ¹	F	6 in. x 4 in.	406	E
NEMA RATED STANDARD EFFICIENCY THREE PHASE 220/440V											
▶011657	CHK-50	220/440	13.0/6.5	5	1.15	5.75	NSF ¹	F	6 in. x 4 in.	336	A
▶011658	CHK-75	220/440	18.4/9.2	7-1/2	1.15	8.63	NSF ¹	F	6 in. x 4 in.	349	B
▶011659	CHK-100	220/440	25.3/12.6	10	1.15	11.50	NSF ¹	B	6 in. x 4 in.	376	C
▶011660	CHK-150	220/440	37.5/18.8	15	1.15	17.25	NSF ¹	B	6 in. x 4 in.	398	D
▶011661	CHK-200	220/440	49.0/24.6	20	1.15	23.00	NSF ¹	F	6 in. x 4 in.	403	E

▶ This product either meets or is exempt from the DOE Dedicated Purpose Pool Pump regulation. This product will remain available after the DOE regulation takes effect in July 2021.

C SERIES®

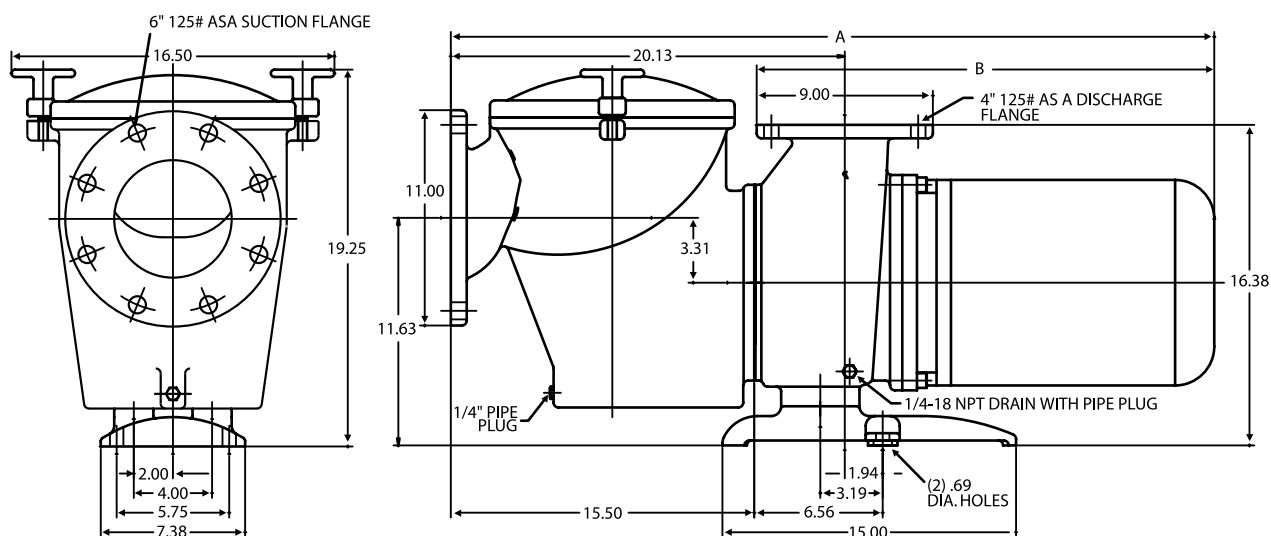
COMMERCIAL BRONZE PUMPS (CONT'D) WITH HAIR AND LINT STRAINER

Product	Description	Voltage	Amps	HP	SF	SFHP	Primary Listings and Certifications ²	Motor Class	Port Size (ANSI Flange)	Carton Wt. (Lbs.)	Curve Key
NEMA RATED STANDARD EFFICIENCY THREE PHASE 575V											
▶ 347967	CHK-50	575	5.6	5	1.15	5.75	NSF ¹	F	6 in. x 4 in.	336	A
▶ 347935	CHK-200	575	19.5	20	1.15	23.00	NSF ¹	F	6 in. x 4 in.	406	E
NEMA RATED STANDARD EFFICIENCY THREE PHASE 380-415V- 50 HZ											
▶ 014884	CHKL-200	380-415	28.0-26.0	20	1.15	23.00	NSF ¹	F	6 in. x 4 in.	403	

¹ "NSF" indicates that pump has been certified to NSF/ANSI 50, the Standard for Equipment for swimming pools, spas, hot tubs and other recreational water features.

² Product may have been evaluated to other state and local regulatory standards. Listing status may change. Always confirm status with appropriate agency if in doubt.

Dimensions and Performance



PUMP DIMENSIONS			
THREE-PHASE AMPS @ 220/440 & 380/415 V			
HP	AMPS	A	B
5	14	34.88	19.50
7.5	20	35.88	20.50
10	26	36.88	22.50
15	38	37.38	22.00
20	46	37.88	23.50

PUMP DIMENSIONS			
SINGLE-PHASE AMPS @ 230 VOLTS			
HP	AMPS	A	B
5	26	35.50	20.50
7.5	37	35.88	20.50

PUMP DIMENSIONS			
SINGLE-PHASE AMPS @ 200 VOLTS			
HP	AMPS	A	B
5	29	35.50	20.50
7.5	39.6	35.88	20.50

NOTES:
 1. BOTH "A" AND "B" DIMENSIONS ARE APPROXIMATE IT DEPENDS ON MOTOR MANUFACTURER.
 2. ALL DIMENSIONS ARE IN INCHES AND MAY VARY ± .25.

C SERIES®

COMMERCIAL BRONZE PUMPS (CONT'D) WITHOUT HAIR AND LINT STRAINER



C Series
Commercial
Bronze Pump
without Hair and
Lint Strainer

Featured Highlights

- High performance motors for maximum flow
- All-bronze construction for strength and durability
- 5 in. suction and 4 in. discharge for maximum capabilities
- Closed impeller for longer motor bearing life
- Heat-resistant seal capable of operation at up to 150°
- Available in single and three-phase, 50 and 60-hertz models
- For 200-208v applications order 200-208v model pump

CALIFORNIA PROPOSITION 65 WARNING

⚠ **WARNING:** Cancer and Reproductive Harm.
 ⚠ **AVERTISSEMENT:** Peut Causer le Cancer et des Dommages au Système Reproducteur.
 ⚠ **ADVERTENCIA:** Cáncer y Daño Reproductivo.
www.p65warnings.ca.gov

Ordering Information

Product	Description	Voltage	Amps	HP	SF	SFHP	Primary Listings and Certifications ³	Motor Class	Port Size (ANSI Flange)	Carton Wt. (Lbs.)	Curve Key
NEMA RATED STANDARD EFFICIENCY SINGLE PHASE 200-208V											
▶ 347950	CH-50	200-208	29.0	5	1.15	5.75	NSF ²	B	5 in. x 4 in.	302	A
▶ 347961	CM-75	200-208	42.6	7-1/2	1.15	8.63	NSF ²	B	5 in. x 4 in.	315	G
C SERIES & AURORA PUMP ACCESSORIES FLANGE ASSEMBLY KITS											
357260	Flange 5 in. w/ gasket and SS hardware ¹ for pump less strainer									22	
357262	Flange 4 in. w/ gasket and SS hardware ¹									20	
357263	Flange 6 in. w/ gasket and SS hardware ¹									23	

¹ Thermoplastic PVC socket style

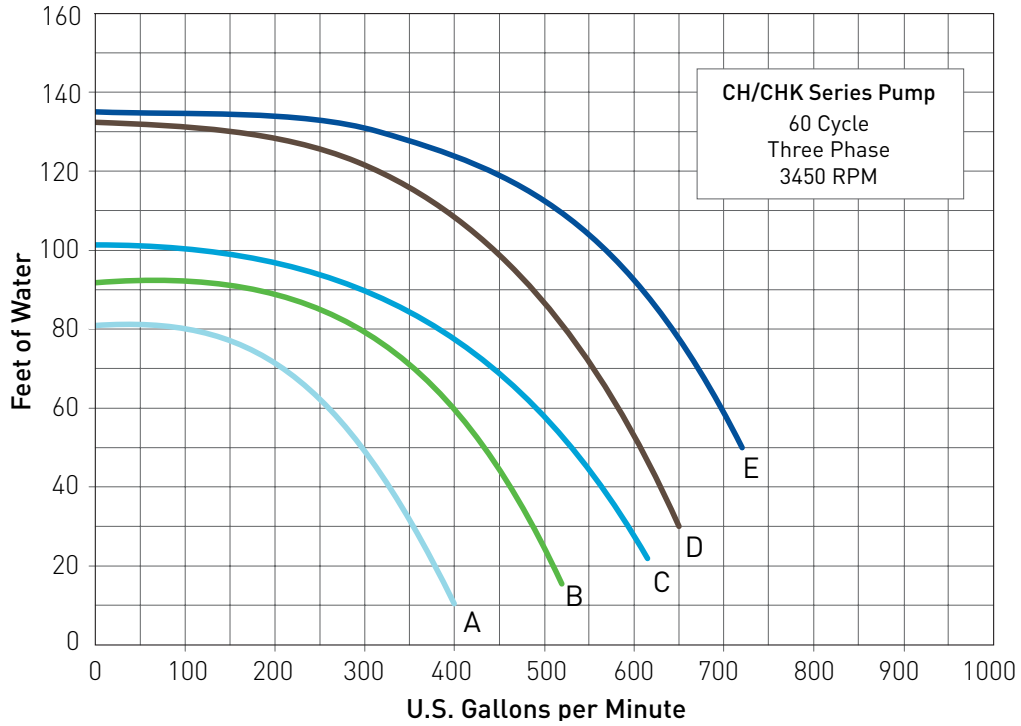
² 'NSF(1)' indicates that pump bears a mark signifying evaluation to NSF Standard 50 For Non Self-Priming Centrifugal Pumps For Swimming Pools, Spas and Hot Tubs.

³ Product may have been evaluated to other state and local regulatory standards. Listing status may change. Always confirm status with appropriate agency if in doubt.

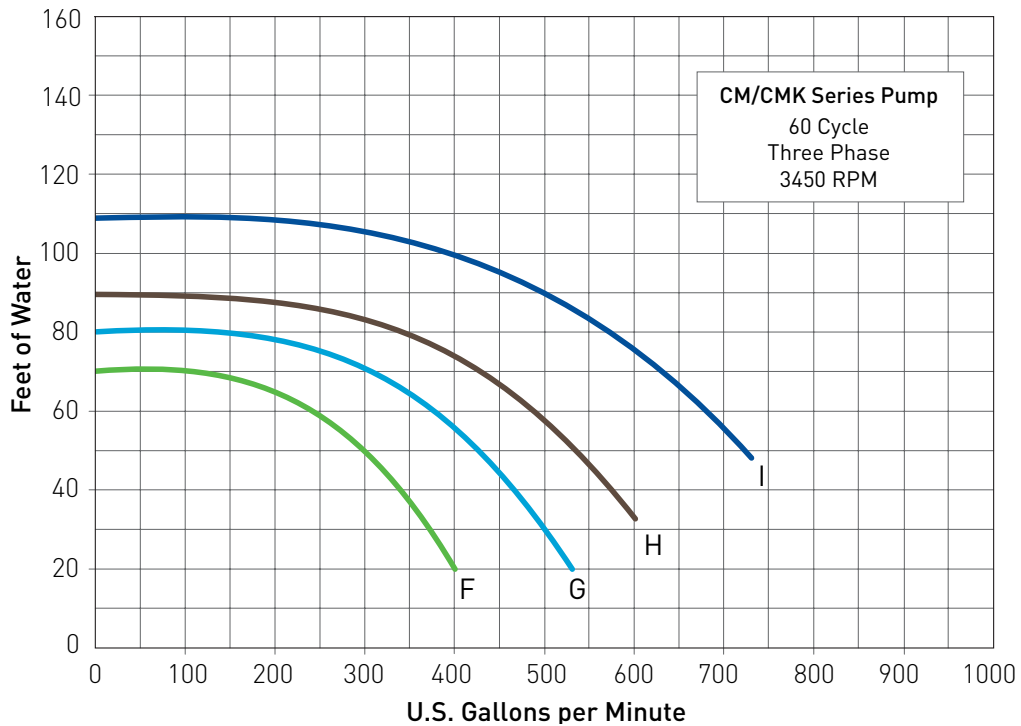
C SERIES®

COMMERCIAL BRONZE PUMPS (CONT'D) WITH HAIR AND LINT STRAINER

CH/CHK SERIES PUMP - 60HZ



CM/CMK SERIES PUMP - 60HZ



For detailed efficiency curves go to www.pentair.com

CSP/CCSP SERIES™

COMMERCIAL SELF-PRIMING PUMP

STA-RITE


CSP/CCSP Series
Commercial Self-Priming
Pump with PKG 184
Strainer (sold separately)

CALIFORNIA PROPOSITION 65 WARNING

⚠ **WARNING:** Cancer and Reproductive Harm.
 ⚠ **AVERTISSEMENT:** Peut Causer le Cancer
 et des Dommages au Système Reproducteur.
 ⚠ **ADVERTENCIA:** Cáncer y Daño Reproductivo.
www.p65warnings.ca.gov

Featured Highlights

- Especially designed for commercial and public swimming pools and spas, aquatic facilities, water parks and fountain applications where high performance and self-priming are required
- Pump has enclosed bronze impeller and standard 6 in. x 4 in. A.N.S.I. rated flange connections
- The pump strainer (order separately) has capacity of 1,100 cubic inches. Both pump and strainer can be ordered with optional epoxy coated castings to provide additional performance and corrosion resistance

Ordering Information

Product	Voltage	Amps ¹	HP	SF	SFHP	Primary Listings and Certifications ⁴	Port Size (ANSI Flange)	Carton Wt. (Lbs.)	Curve Key
NEMA RATED STANDARD EFFICIENCY SINGLE PHASE CAST IRON									
▶ CSPHK-142	230	39	7.5	1.15	8.63	NSF ²	6 in. x 4 in.	270	A
▶ CSPHL-143	230	46	10	1.15	11.50	NSF ²	6 in. x 4 in.	275	B
NEMA RATED STANDARD EFFICIENCY SINGLE PHASE EPOXY COATED CAST IRON									
▶ CCSPHK-142	230	39	7.5	1.15	8.63	NSF ²	6 in. x 4 in.	270	E
▶ CCSPHL-143	230	46	10	1.15	11.50	NSF ²	6 in. x 4 in.	275	F
NEMA RATED STANDARD EFFICIENCY THREE PHASE CAST IRON									
▶ CSPHK3-142	230/460	21.2-19.2/9.6	7-1/2	1.25	9.38	NSF ²	6 in. x 4 in.	265	A
▶ CSPHL3-143	230/460	27.6-24.4/12.2	10	1.25	12.50	NSF ²	6 in. x 4 in.	270	B
▶ CSPHM3-144	230/460	44.2-40/20	15	1.25	18.75	NSF ²	6 in. x 4 in.	280	C
▶ CSPHN3-145	230/460	55.3-50/25	20	1.25	25.00	NSF ²	6 in. x 4 in.	325	D
NEMA RATED STANDARD EFFICIENCY THREE PHASE CAST IRON - 200V⁶									
▶ CSPH2K3-142	200	22.1	7-1/2	1.15	8.63	NSF ²	6 in. x 4 in.	265	A
▶ CSPH2L3-143	200	28.1	10	1.25	12.50	NSF ²	6 in. x 4 in.	270	B
▶ CSPH2M3-144	200	42.3	15	1.25	18.75	NSF ²	6 in. x 4 in.	280	C
▶ CSPH2N3-145	200	57.3	20	1.25	25.00	NSF ²	6 in. x 4 in.	350	D
NEMA RATED STANDARD EFFICIENCY THREE PHASE EPOXY COATED CAST IRON									
▶ CCSPHK3-142	230/460	21.2-19.2/9.6	7-1/2	1.25	9.38	NSF ²	6 in. x 4 in.	265	E
▶ CCSPHL3-143	230/460	27.6-24.4/12.2	10	1.25	12.50	NSF ²	6 in. x 4 in.	270	F
▶ CCSPHM3-144	230/460	44.2-40/20	15	1.25	18.75	NSF ²	6 in. x 4 in.	280	G
▶ CCSPHN3-145	230/460	55.3-50/25	20	1.25	25.00	NSF ²	6 in. x 4 in.	325	H
NEMA RATED STANDARD EFFICIENCY THREE PHASE EPOXY COATED CAST IRON - 200 V⁶									
▶ CCSPH2K3-142	200	22.1	7-1/2	1.15	8.63	NSF ²	6 in. x 4 in.	265	E
▶ CCSPH2L3-143	200	28.1	10	1.25	12.50	NSF ²	6 in. x 4 in.	270	F
▶ CCSPH2M3-144	200	42.3	15	1.25	18.75	NSF ²	6 in. x 4 in.	280	G
▶ CCSPH2N3-145	200	57.3	20	1.25	25.00	NSF ²	6 in. x 4 in.	350	H
ACCESSORIES FOR CSP/CCSP SERIES									
PKG 184	Strainer for CSP/CCSP 6 in. ANSI flange (1,100 cu. in. capacity)					NSF ³	6 in. x 6 in.	180	I
PKG 184C	Same as PKG 184 Except Strainer is Epoxy Coated					NSF ³	6 in. x 6 in.	180	I
357262	Flange 4 in. w/ gasket and SS hardware ⁵							20	
357263	Flange 6 in. w/ gasket and SS hardware ⁵							23	

¹ Amp draw may vary depending on motor manufacturer.

² 'NSF(1)' indicates that pump bears a mark signifying evaluation to NSF Standard 50 For Self-Priming Centrifugal Pumps For Swimming Pools And Spas.

³ 'NSF(2)' indicates that product bears a mark signifying evaluation to NSF Standard 50 For Materials and Components.

⁴ Product may have been evaluated to other state and local regulatory standards. Listing status may change. Always confirm status with appropriate agency if in doubt.

⁵ Thermoplastic PVC socket style.

⁶ For 208 volt applications, use 200v model options.

▶ This product either meets or is exempt from the DOE Dedicated Purpose Pool Pump regulation. This product will remain available after the DOE regulation takes effect in July 2021.

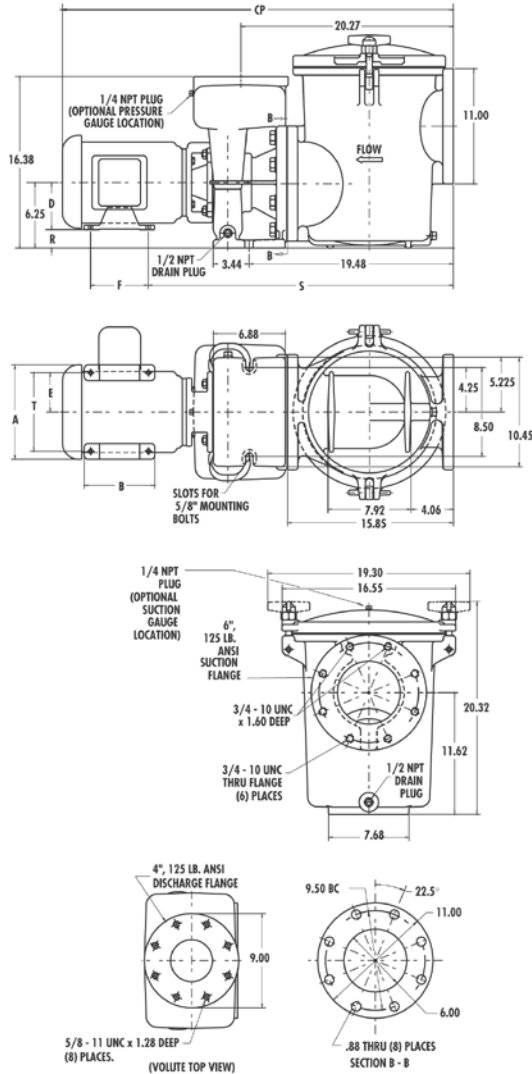
CSP/CCSP SERIES™

COMMERCIAL SELF-PRIMING PUMP (CONT'D)

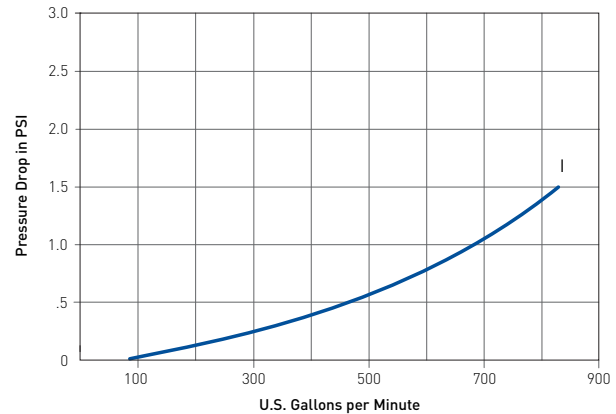
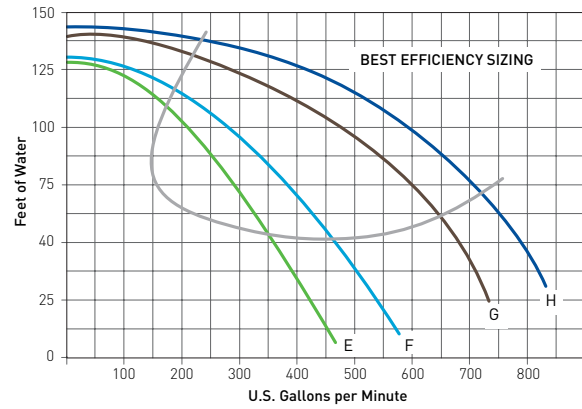
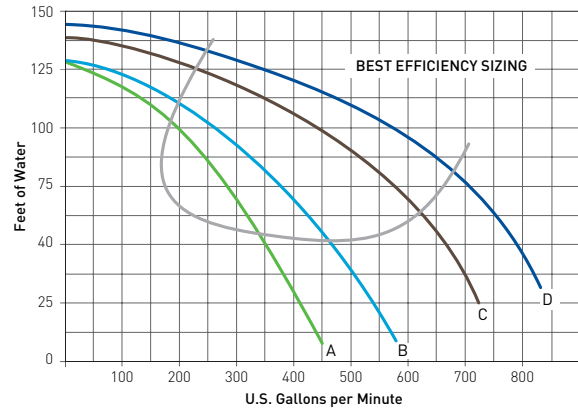
Featured Highlights

Options: CCSP Models feature special epoxy coated castings for maximum performance and corrosion resistance. 60 Hz T.E.F.C., 60 Hz premium efficiency, or 575 volt motors available. Inverter duty rated class F motors available for most models. Contact factory for details.

Note: Maximum ambient temperature for motor is 104°F (40°C). All pump motors require external overload protection (magnetic starter). Pump strainer must be ordered separately. Full load amps on motor model plate.



Dimensions and Performance



Catalog Number	A	B	CP	D	E	F	R	S	T
CSPHK, CCSPHK	10.62	7.00	39.44	5.25	4.25	5.50	1.00	30.00	8.50
CSPHK3, CCSPHK3, CSPH2K3	9.00	6.75	40.31	4.50	3.75	5.50	1.75	29.13	7.50
CSPHL, CCSPHL	10.35	8.26	42.69	5.25	4.25	7.00	1.00	30.00	8.50
CSPHL3, CCSPHL3	10.62	7.00	41.00	5.25	4.25	5.50	1.00	30.00	8.50
CSPHM3, CCSPHM3	10.62	8.50	42.50	5.25	4.25	7.00	1.00	30.00	8.50
CSPH2L3, CSPH2M3	10.62	8.50	42.50	5.25	4.25	7.00	1.00	30.00	8.50
CSPHN3, CCSPHN3	12.50	10.80	46.75	6.25	5.00	8.20	0.00	31.62	10.00
CSPH2N3, CCSPH2N3	13.38	12.44	48.50	6.25	5.00	10.00	0.00	31.65	10.00

All dimensions shown in inches.

5CSP/5CCSP SERIES™

50 HERTZ COMMERCIAL SELF-PRIMING PUMP



5CSP/5CCSP Series Commercial Self-Priming Pump with PKG 184 Strainer Pot (sold separately)

Featured Highlights

- Especially designed for commercial and public swimming pools and spas, aquatic facilities, water parks and fountain applications where high performance and self-priming are required
- Pump has enclosed bronze impeller and standard 6 in. x 4 in. A.N.S.I. flange connections
- The pump strainer (order separately) has capacity of 1,100 cubic inches. Both pump and strainer can be ordered with optional epoxy coated castings to provide additional performance and corrosion resistance

• **Note: 50 hertz pumps cannot be used in North America.**

CALIFORNIA PROPOSITION 65 WARNING
 ⚠️ **WARNING:** Cancer and Reproductive Harm.
 ⚠️ **AVERTISSEMENT:** Peut Causer le Cancer et des Dommages au Système Reproducteur.
 ⚠️ **ADVERTENCIA:** Cáncer y Daño Reproductivo.
www.p65warnings.ca.gov

Ordering Information

Product	Voltage	Amps ¹	HP	SF	SFHP	Primary Listings and Certifications ³	Port Size (ANSI Flange)	Carton Wt. (Lbs.)	Curve Key
SINGLE PHASE CAST IRON WITHOUT STRAINER- 50 HZ									
▶ 5CSPHJ-142	220-240	35.5-32.5	5	1.00	5		6 in. x 4 in.	270	A
▶ 5CSPHK-143	220-240	43.0-39.4	7-1/2	1.00	7-1/2		6 in. x 4 in.	280	B
THREE PHASE CAST IRON WITHOUT STRAINER- 50 HZ									
▶ 5CSPHJ3-142	220-240/380-415	13.0/6.9	5	1.00	5		6 in. x 4 in.	260	A
▶ 5CSPHK3-143	220-240/380-415	20.7-21.5/12.0/12.4	7-1/2	1.00	7-1/2		6 in. x 4 in.	270	B
▶ 5CSPHL3-144	220-240/380-415	27.0-27.5/15.6-15.9	10	1.00	10		6 in. x 4 in.	280	C
▶ 5CSPHM3-145	220-240/380-415	38.9-20.6	15	1.00	15		6 in. x 4 in.	300	D
THREE PHASE EPOXY COATED CAST IRON WITHOUT STRAINER - 50 HZ									
▶ 5CCSPHJ3-142	220-240/380-415	13.0/6.9	5	1.00	5		6 in. x 4 in.	260	A
▶ 5CCSPHK3-143	220-240/380-415	20.7-11.0	7-1/2	1.00	7-1/2		6 in. x 4 in.	270	B
▶ 5CCSPHL3-144	220-240/380-415	26.9-14.3	10	1.00	10		6 in. x 4 in.	280	C
▶ 5CCSPHM3-145	220-240/380-415	38.9-20.6	15	1.00	15		6 in. x 4 in.	300	D
ACCESSORIES FOR 5CSP/5CCSP SERIES									
PKG 184	Strainer for CSP/CCSP 6 in. ANSI flange (1,100 cu. in. capacity)					NSF ⁴	6 in. x 6 in.	180	I
PKG 184C	Same as PKG 184 Except Strainer is Epoxy Coated					NSF ⁴	6 in. x 6 in.	180	I
357262	Flange 4 in. w/ gasket and SS hardware ²							20	
357263	Flange 6 in. w/ gasket and SS hardware ²							23	

¹ Amp draw may vary depending on motor manufacturer. Full load amps on motor model plate.

² Thermoplastic PVC socket style.

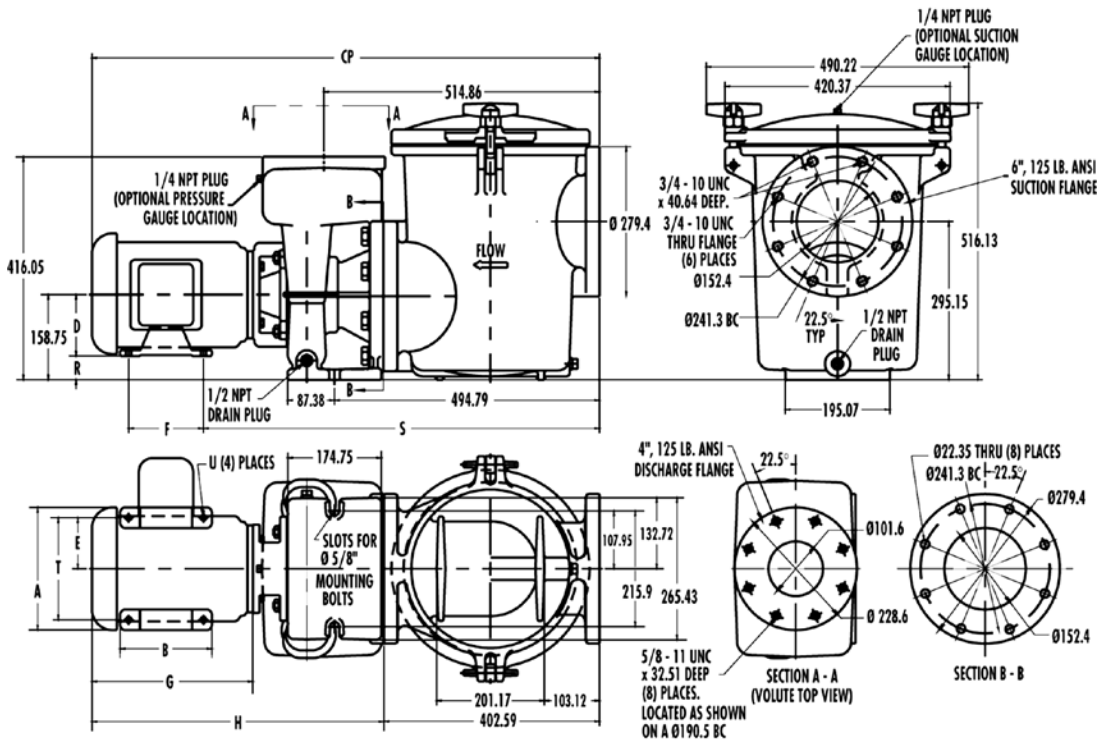
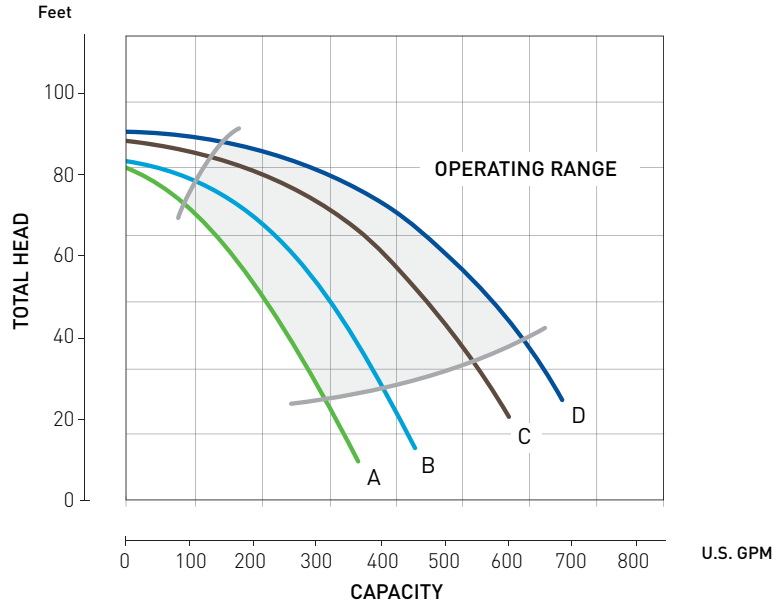
³ Product may have been evaluated to other state and local regulatory standards. Listing status may change. Always confirm status with appropriate agency if in doubt.

⁴ 'NSF(2)' indicates that product bears a mark signifying evaluation to NSF Standard 50 For Materials and Components.

5CSP/5CCSP SERIES™

50 HERTZ COMMERCIAL SELF-PRIMING PUMP (CONT'D)

Dimensions and Performance

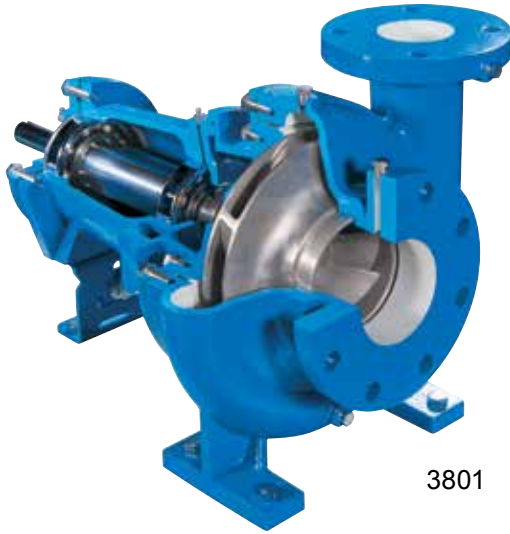


Catalog Number	A	B	CP	D	E	F	R	S	T
5CSPHJ	269.75	177.8	1039.62	133.25	107.95	139.7	25.4	733.3	215.9
5CSPHK	269.75	215.9	1075.69	133.25	107.95	177.8	25.4	733.3	215.9
5CSPHJ3	228.6	171.45	988.82	133.25	95.25	139.7	44.45	734.06	190.5
5CSPHK3	269.75	177.8	1039.62	133.25	107.95	139.7	25.4	733.3	215.9
5CSPHL3	269.75	215.9	1075.69	133.25	107.95	177.8	25.4	733.3	215.9
5CSPHM3	317.5	274.32	1185.67	158.75	127.0	209.55	—	793.75	254.0

All dimensions shown in millimeters.

AURORA® 3800 SERIES AND 410 SERIES

END SUCTION AND SPLIT CASE PUMPS



3801

Featured Highlights

- Multiple configurations available
- Models to 100 ft. TDH
- Compatible with Acu Drive™ XS VF Drive
- Cast Iron Stainless Steel Fitted Models
- Flooded Suction applications
- Highly reliable performance
- NSF approved models available
- Various flow capabilities for all applications
- Epoxy Coating option available
- ODP and TEFC motors in Standard and Premium efficiency available
- PS Series In-line Strainers match up to most Aurora pumps.

Pentair now offers the Aurora 3800 Series End Suction and the 410 Series Split Case Pumps for commercial pools, spas, and other water applications. The 3800 and 410 Series are available in horizontal and vertical configurations in horsepower's to 150 and flows to 8,000 GPM.

Ordering Information

Pump	Power	RPM	HP Range
3801N SERIES; CLOSED-COUPLED END SUCTION W/ EPOXY COATED CASING. TEFC/ODP MOTOR OPTIONS, 3PH, 1800 RPM			
2.5 X 3 X 9	3 PH	1800	7.5HP-10HP
3 X 4 X 9B	3 PH	1800	15HP-20HP
4 X 5 X 9A	3 PH	1800	7.5HP-10HP
4 X 5 X 9A	3 PH	1800	15HP-20HP
4 X 5 X 9B	3 PH	1800	7.5HP-10HP
4 X 5 X 9B	3 PH	1800	15HP-20HP

Pump	Power	RPM	HP Range
3801N SERIES; CLOSED-COUPLED END SUCTION W/ EPOXY COATED CASING. TEFC/ODP MOTOR OPTIONS, 3PH, 1800 RPM			
6 X 6 X 9	3 PH	1800	7.5HP-10HP
6 X 6 X 9	3 PH	1800	15HP-20HP
5 X 6 X 11	3 PH	1800	15HP-20HP
5 X 6 X 11	3 PH	1800	25HP-30HP
6 X 6 X 11	3 PH	1800	15HP-20HP
6 X 6 X 11	3 PH	1800	25HP-30HP

Product	Description	Carton Wt. (Lbs.)
---------	-------------	-------------------

Please contact our factory (1-800-831-7133) for applications sizing, pricing, and availability.

AURORA PUMP ACCESSORIES FLANGE ASSEMBLY KITS		
357259	Flange 2-1/2 in. w/ gasket and SS hardware ¹	16
357260	Flange 5 in. w/ gasket and SS hardware ¹	22
357261	Flange 3 in. w/ gasket and SS hardware ¹	18
357262	Flange 4 in. w/ gasket and SS hardware ¹	20
357263	Flange 6 in. w/ gasket and SS hardware ¹	23

¹ Thermoplastic PVC socket style.

CALIFORNIA PROPOSITION 65 WARNING

⚠️ **WARNING:** Cancer and Reproductive Harm.
 ⚠️ **AVERTISSEMENT:** Peut Causer le Cancer et des Dommages au Système Reproducteur.
 ⚠️ **ADVERTENCIA:** Cáncer y Daño Reproductivo.

www.p65warnings.ca.gov. PA20173A

BERKELEY® B-SERIES

CENTRIFUGAL COMMERCIAL PUMPS



Featured Highlights

Where a large volume of water is needed, in flooded suction applications, Berkeley brand pumps can accommodate almost any water-moving needs. Berkeley brand pumps have been one of the top names in the water systems for decades. Once recognized for only being affiliated with irrigation and water systems, Berkeley pumps are now available in many configurations to be used in the following applications:

- Water features
- Water parks
- Aquaculture
- Commercial pools and spas

The pumps included in the chart below show just a small sampling of the many pump sizes and designs that are available. In addition, we offer a wide range of gpm/head configurations; 1200, 1750, or 3450 rpm motors; 50 or 60 Hz; optional high-efficiency motors; voltage, horsepower, and service factor options; lead-free bronze impellers; flange or threaded connection in many sizes; and packing or mechanical shaft seal design pumps. Flooded suction required. For a complete selection guide to help you size the pump(s) that best fit your needs, call our customer service at 1-800-831-7133, or use the convenient Berkeley Electronic Catalog (BEC) located at www.berkeleypumps.com.

- Berkeley pumps are not NSF approved.



Berkeley B-Series

CALIFORNIA PROPOSITION 65 WARNING

⚠ **WARNING:** Cancer and Reproductive Harm.
 ⚠ **AVERTISSEMENT:** Peut Causer le Cancer et des Dommages au Système Reproducteur.
 ⚠ **ADVERTENCIA:** Cáncer y Daño Reproductivo.
www.p65warnings.ca.gov

Ordering Information

CALL FOR QUOTE

Product	General Pump Design Model	HP	Best Operating Performance G.P.M.	Connection at X ft. of Head	RPM	Flange (inches)
BERKELEY B-SERIES PUMPS						
B71943S	B3ZPMS	5 HP	350	40	1800	3 x 4
B71945S	B3ZPMS	7.5 HP	400	53	1800	3 x 4
B71947S	B3ZPMS	10 HP	500	60	1800	3 x 4
B71949S	B3ZPMS	15 HP	600	63	1800	3 x 4
B76775	B5EPHS	20 HP	950	60	1800	5 x 6
B76776	B5EPHS	25 HP	1050	65	1800	5 x 6
B75861	B4GPBHS	30 HP	1100	85	1800	4 x 6
B74945	B6JPBMS	40 HP	1500	80	1800	6 x 8
B76786	B8GPBMS	50 HP	2700	50	1800	8 x 10

Options: The above pumps have silicon bronze impellers, flanged connections, close-coupled, open drip-proof motors, and mechanical shaft seals. As mentioned in the text at the top of the page, many options are available. Please call our Customer Service at 800-831-7133 or try using the convenient "BEC" system at www.berkeleypumps.com.

D-SERIES™

CAST IRON SELF-PRIMING CENTRIFUGAL COMMERCIAL PUMP



D Series Cast Iron Self-Priming Centrifugal Commercial Pump

Featured Highlights

- Especially designed for commercial applications where high performance and self-priming characteristics are desired
- These self-priming, high performance pumps are available in high head and medium head models, providing a complete range of performance characteristics
- Motors are open drip-proof, continuous duty rated 3450 RPM.

CALIFORNIA PROPOSITION 65 WARNING

⚠️ **WARNING:** Cancer and Reproductive Harm.
 ⚠️ **AVERTISSEMENT:** Peut Causer le Cancer et des Dommages au Système Reproducteur.
 ⚠️ **ADVERTENCIA:** Cáncer y Daño Reproductivo.

www.p65warnings.ca.gov P182073LA

Ordering Information

Product	Voltage	Amps ¹	HP	Primary Listings and Certifications ³	Port Size (NPT)	Carton Wt. (Lbs.)	Curve Key
STANDARD EFFICIENCY THREE PHASE HIGH HEAD							
▶ DHH3-169	230/460	8.6/4.3	3	NSF ²	1-1/2 in.	135	A
▶ DMH3-171	230/460	8.6/4.3	3	NSF ²	2 in.	135	C
STANDARD EFFICIENCY THREE PHASE MEDIUM HEAD							
▶ DHJ3-170	230/460	13.2/6.6	5	NSF ²	2 in.	178	B
▶ DMJ3-172	230/460	13.2/6.6	5	NSF ²	2-1/2 in.	178	D

* 200 Volt models available. Contact factory for details.

¹ Dimensions and Max Load Amps may vary per motor manufacturer.

² 'NSF(1)' indicates that pump bears a mark signifying evaluation to NSF Standard 50 For Self-Priming Centrifugal Pumps For Swimming Pools, Spas and Hot Tubs when installed with a NSF certified Hair and Lint Strainer.

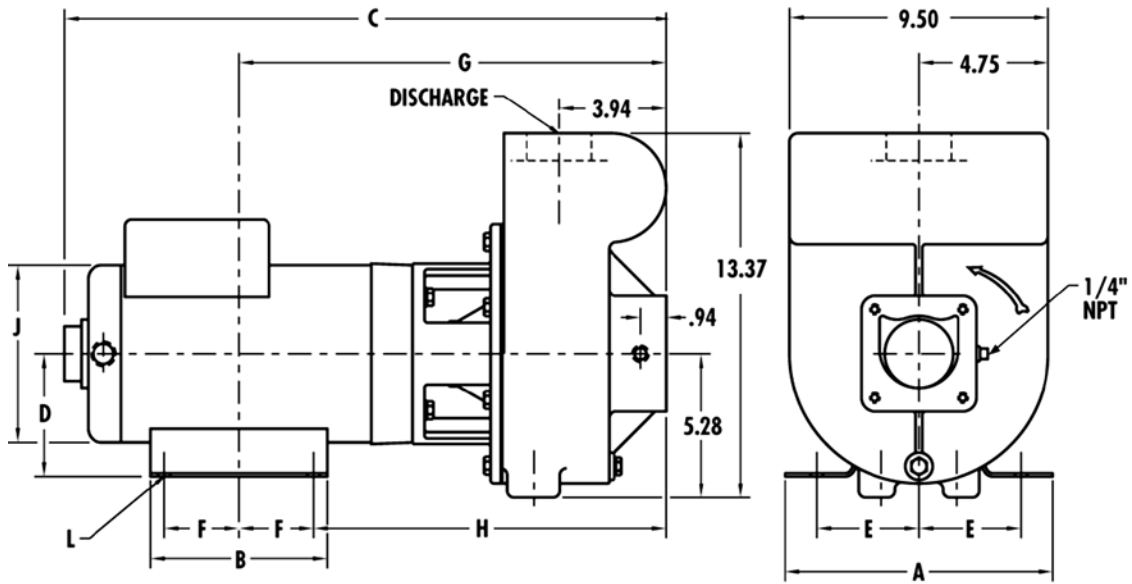
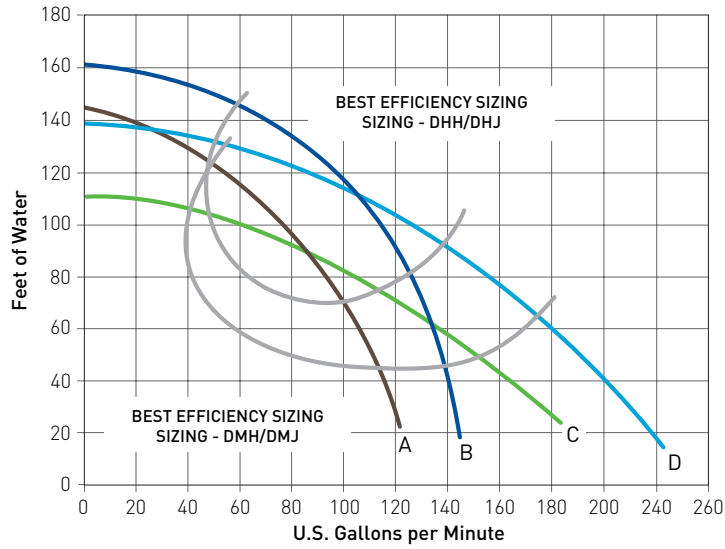
³ Product may have been evaluated to other state and local regulatory standards. Listing status may change. Always confirm status with appropriate agency if in doubt.

See pages 236 for Hair and Lint Strainer Packages.

D-SERIES™

CAST IRON SELF-PRIMING CENTRIFUGAL COMMERCIAL PUMP (CONT'D)

Dimensions and Performance



Note: "L" mounting dimension: .44 Slot = 3/8 in. Bolt .34 Diameter = 5/16 in.

Catalog Number	HP	Discharge (NPT)	A	B	C*	D	E	F	G	H	J	L
DHH-169	3	1-1/2	8.75	6.50	21.37	4.50	3.75	2.25	15.21	12.96	6.51	.44 SLOT
DHH3-169	3	1-1/2	6.50	6.50	19.87	3.50	2.75	2.50	14.45	12.20	6.51	.34 DIA.
DHJ-170	5	2	8.75	6.50	22.12	4.50	3.75	2.75	15.71	12.96	6.51	.44 SLOT
DHJ3-172	5	2	8.75	6.50	21.62	4.50	3.75	2.25	15.21	12.96	6.50	.44 SLOT
DMH-171	3	2	8.75	6.50	21.37	4.50	3.75	2.25	15.21	12.96	6.51	.44 SLOT
DMH3-171	3	2	6.50	6.50	19.87	3.50	2.75	2.50	14.45	12.20	6.51	.34 DIA.
DMJ-172	5	2-1/2	8.75	6.50	22.12	4.50	3.75	2.75	15.71	12.96	6.51	.44 SLOT
DMJ3-172	5	2-1/2	8.75	6.50	21.62	4.50	3.75	2.25	15.21	12.96	6.50	.44 SLOT

WHISPERFLOXF[®] VS COMMERCIAL VARIABLE SPEED PUMP

TRADEGRADE



WhisperFloXF VS Pump

The first variable speed pump that runs on single-phase or three-phase power. It's economical, combined motor/drive solution for HMAC (hotel, motel, apartment, condominium) or large residential installations, providing sophisticated, energy-saving pump technology without the high costs typically associated with independent pump/external drive setups.

Featured Highlights

- Integrated 5HP motor/drive; no expensive external drive required
- Versatile power input capability; runs off a wide range of single- or three-phase power
- Speed or flow control for maximum efficiency and pool performance*
- External control capability through automation systems or relays
- Intuitive programming and operation
- Meets commercial codes and agency requirements

Ordering Information

Product	THP	WEF	HHP	Service Factor	Voltage	Frequency	Current	Port Size	Weight	Certifications ³
WHISPERFLOXF VARIABLE SPEED										
022035	5.0	5.0	2.09	1.00	Single-Phase: 208-230/277-460 Three-Phase: 208-460	50/60	Single-Phase: 20-21/17-11 Three-Phase: 13-6	2.5" x 2.5" or 3" x 3"	95	UL ¹ , NSF ²
ACCESSORIES										
356324Z	RS-485 Automation Wiring Kit, 25 ft.									
400012	XF Riser Base - Simplifies installation of XF-series pumps in application where Challenger Pumps are being replaced.									

*When connected to Pentair's inline 4-20mA flowmeter for 3" plumbing (P/N 97014-4203KIT—sold separately), or similar 4-20mA flowmeters, this pump is capable of maintaining a constant flow based on the needs of your pool system. To connect the flowmeter and pump, the digital input cable provided in the External Control Wiring Kit (P/N 356324Z sold separately) is required.

¹ 'UL' indicates that pump bears a UL mark signifying evaluation to U.S. Standards UL1081 for Permanently Connected Swimming Pool and Spa Pumps and to Canadian Standards CAN/CSA C22.2 No. 108-01 Liquid Pumps For Swimming Pools Only (Enclosure 3).

² 'NSF' indicates that pump bears a mark signifying evaluation to NSF Standard 50 For Self-Priming Centrifugal Pumps For Swimming Pools, Spas and Hot Tubs.

³ Product may have been evaluated to other state and local regulatory standards. Listing status may change. Always confirm status with appropriate agency if in doubt.

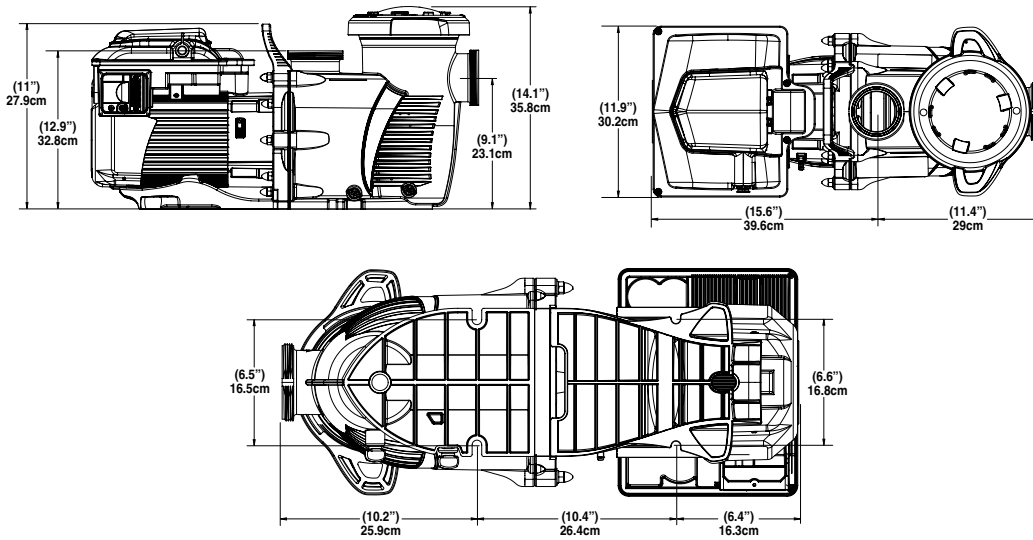
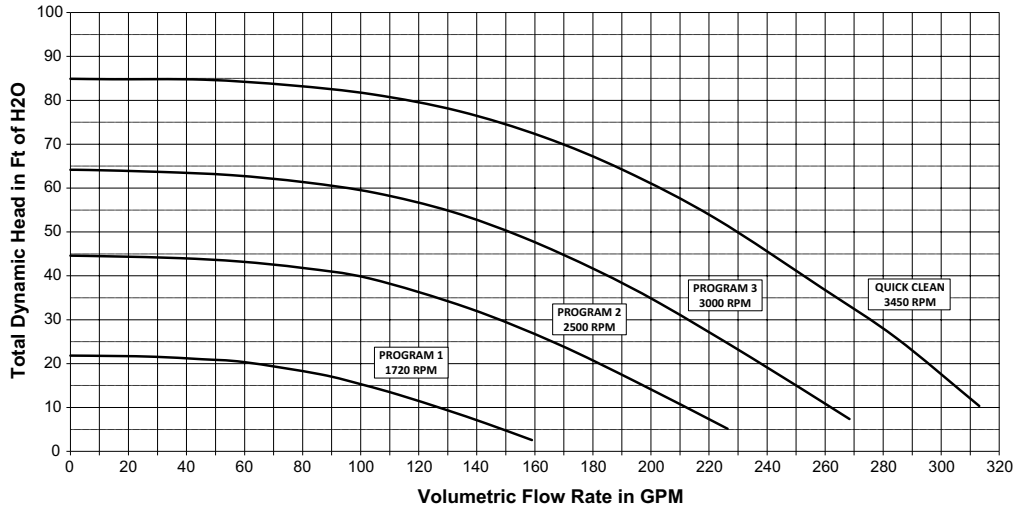
CALIFORNIA PROPOSITION 65 WARNING

▲ **WARNING:** Cancer and Reproductive Harm.
▲ **AVERTISSEMENT:** Peut Causer le Cancer et des Dommages au Système Reproducteur.
▲ **ADVERTENCIA:** Cáncer y Daño Reproductivo.

www.p65warnings.ca.gov
PH.202114

WHISPERFLOXF VS COMMERCIAL VARIABLE SPEED PUMP (CONT'D)

Dimensions and Performance



WHISPERFLOXF[®]

HIGH PERFORMANCE PUMPS

TRADEGRADE



WhisperFloXF Pump shown with TEFC Motor

Developed using the most advanced engineering tools available - CFD (Computational Fluid Dynamics) and FEA (Finite Element Analysis). The impeller design delivers high level of precision concentricity for increased efficiency. *Optional riser base for Challenger pump replacements. Part # 400012 available separately.

Featured Highlights

- Drop-in replacement for all WhisperFlo[®] Pump models. Simple replacement for Challenger[®] Pumps.*
- Union connectors included for connecting directly to 2.5 in. or 3 in. plumbing
- Extra large, robust basket with smooth surface for easy debris removal
- Easy-carry handle; easily removable ergonomic lock ring; and see-through lid for easy basket inspection
- Three Phase XF pumps are compatible with Pentair's Acu Drive XS VFD's

Ordering Information

Product	Rated HP	THP	WEF	HHP	Service Factor	Voltage	Frequency	Current	Port Size	Weight	Certifications ³	Curve Key
COMMERCIAL SINGLE-SPEED TEFC												
022034	5	5	N/A	N/A	1.00	208-230	60	20.0-18.8	2.5" x 2.5" or 3" x 3"	67	UL ¹ , NSF ²	C
TEFC SINGLE-SPEED—NOT FOR SALE IN THE USA												
022032-INT	2	2.60	N/A	N/A	1.30	208-230	60	11.1-9.5	2.5" x 2.5" or 3" x 3"	57	UL ¹ , NSF ²	B
022033-INT	3	3.45	N/A	N/A	1.15	208-230	60	14.6-12.7	2.5" x 2.5" or 3" x 3"	61	UL ¹ , NSF ²	A
THREE-PHASE SUPER-DUTY												
022017	2	2.6	N/A	N/A	1.30	208-230/460	60	7.5-7.2/3.6	2.5" x 2.5" or 3" x 3"	60	UL ¹ , NSF ²	I
022018	3	3.25	N/A	N/A	1.15	208-230/460	60	9.8-9.4/4.7	2.5" x 2.5" or 3" x 3"	60	UL ¹ , NSF ²	H
022019	5	5.00	N/A	N/A	1.00	208-230/460	60	13.9-13.1/6.6	2.5" x 2.5" or 3" x 3"	72	UL ¹ , NSF ²	G
ACCESSORIES												
400012	XF Riser Base - Simplifies installation of XF-series pumps in applications where Challenger pumps are being replaced.											

¹ 'UL' indicates that pump bears a UL mark signifying evaluation to U.S. Standards UL1081 for Permanently Connected Swimming Pool and Spa Pumps and to Canadian Standards CAN/CSA C22.2 No. 108-01 Liquid Pumps For Swimming Pools Only (Enclosure 3).

² 'NSF' indicates that pump bears a mark signifying evaluation to NSF Standard 50 For Self-Priming Centrifugal Pumps For Swimming Pools, Spas and Hot Tubs.

³ Product may have been evaluated to other state and local regulatory standards. Listing status may change. Always confirm status with appropriate agency if in doubt.

CALIFORNIA PROPOSITION 65 WARNING

▲ **WARNING:** Cancer and Reproductive Harm.
▲ **AVERTISSEMENT:** Peut Causer le Cancer et des Dommages au Système Reproducteur.
▲ **ADVERTENCIA:** Cáncer y Daño Reproductivo.

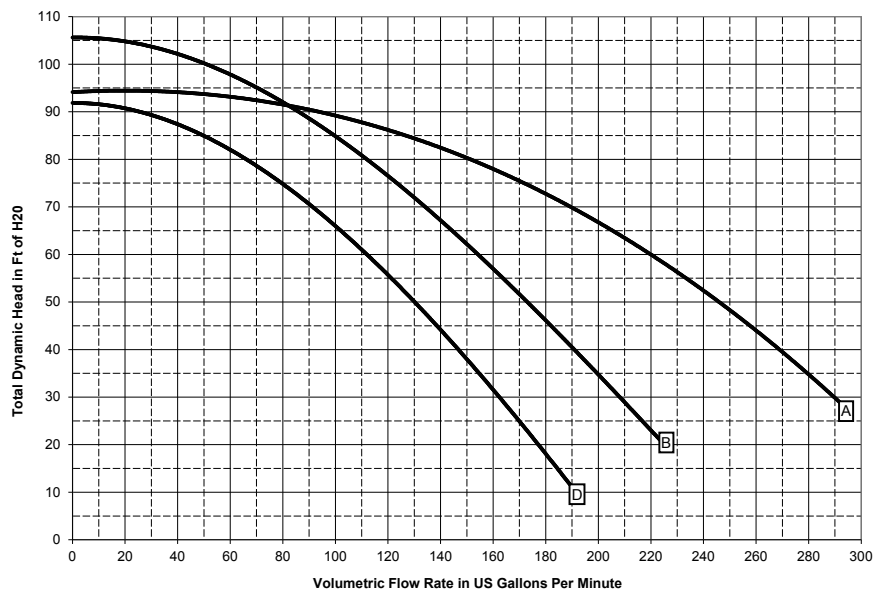
www.p65warnings.ca.gov
P6/2011A

WHISPERFLOXF[®]

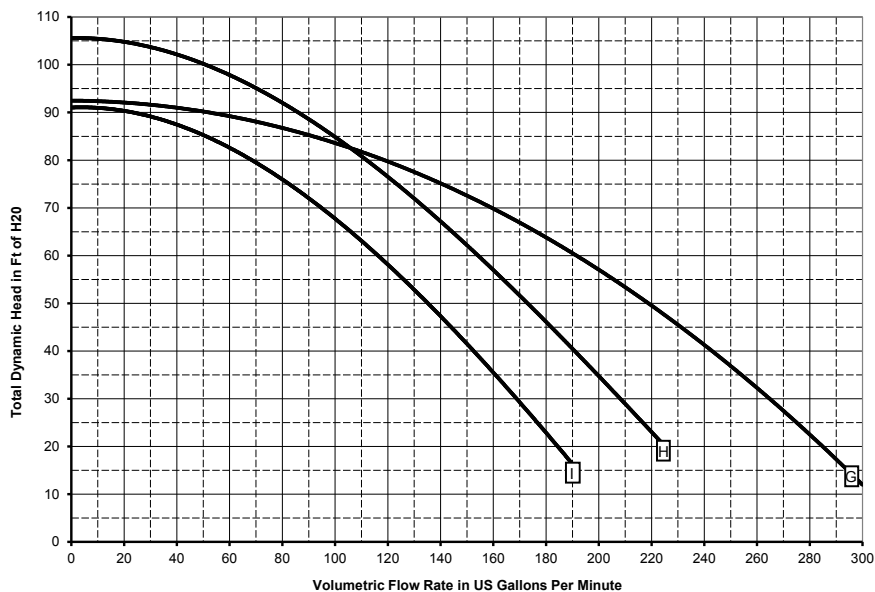
HIGH PERFORMANCE PUMPS (CONT'D)

Dimensions and Performance

1 & 2-Speed
Performance
Curve

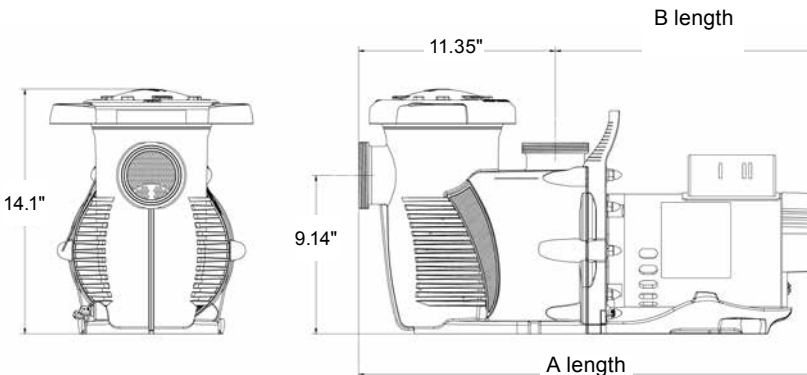


3 Phase
Performance
Curve



B-VARYING LENGTH		
HP	TEFC	3-PH
2	13.05	12.35
3	13.65	13.05
5	14.55	13.88

A-VARYING LENGTH		
HP	TEFC	3-PH
2	24.4	23.7
3	25	24.4
5	25.9	25.23



INTELLIFLOXF® VSF

VARIABLE SPEED AND FLOW PUMP

TRADEGRADE



IntelliFloXF VSF
Variable Speed and Flow Pump

Patent Information: www.pentair.com/patents

Featured Highlights

- Eight programmable speed or flow settings and built-in timer
- Rotatable keypad with optional wall mount kit (sold separately)
- Top-mounted field wiring compartment is easier to access and connect
- Totally enclosed fan-cooled design keeps motor shielded from the elements for extended life
- Menus are easier than ever to use
- Union connectors included for connecting directly to 2.5" or 3" plumbing
- Maintains system flow requirements
- Compatible with Pentair Automation

The IntelliFlo VSF pump family is the first variable speed and flow pump that adjusts to changes in flow system conditions to maintain its programmed flow rate. With its available performance and efficiency, it is perfectly suited for large and feature rich pools with high flow demand to power waterfalls, slides, negative edges and more.

Ordering Information

Product	Description	THP	WEF	HHP	Service Factor	Voltage	Frequency	Current	Port Size (NPT)	Weight	Certifications ³
INTELLIFLOXF VSF ENERGY EFFICIENT VARIABLE SPEED AND FLOW PUMP											
022056	IntelliFloXF VSF	3.95	5.6	2.10	1.0	230	50/60	16.0	2.5" x 2.5" OR 3" x 3"	60	UL ¹ , NSF ²
ACCESSORIES											
400012	XF Riser Base - Simplifies installation of XF-series pumps in applications where Challenger pumps are being replaced.										
521109	IntelliCom 2 - Rated 9 - 30 V DC with 4 inputs										1
350122	Communication Cable - 50 ft. - Included with pump										2
356904Z	Keypad Relocation Kit										2

¹ 'UL' indicates that pump bears a UL mark signifying evaluation to U.S. Standards UL1081 for Permanently Connected Swimming Pool and Spa Pumps and to Canadian Standards CAN/CSA C22.2 No. 108-01 Liquid Pumps For Swimming Pools Only (Enclosure 3).

² 'NSF' indicates that pump bears a mark signifying evaluation to NSF Standard 50 For Self-Priming Centrifugal Pumps For Swimming Pools Only.

³ Product may have been evaluated to other state and local regulatory standards. Listing status may change. Always confirm status with appropriate agency if in doubt.

Note: Pump must be used with current collectors when installed on spas or hot tubs in Canada.

Refer to catalog page 15 for a selection of 2-Pole GFCI breakers which offer 6 milliamp personnel protection while meeting 2008 to current NEC Standards for Pool Pumps.

CALIFORNIA PROPOSITION 65 WARNING

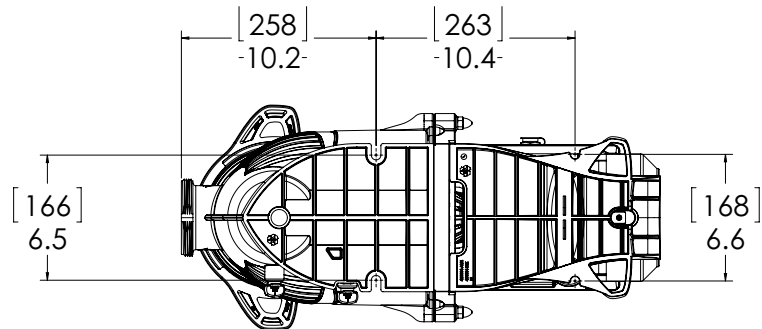
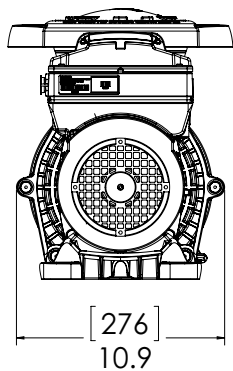
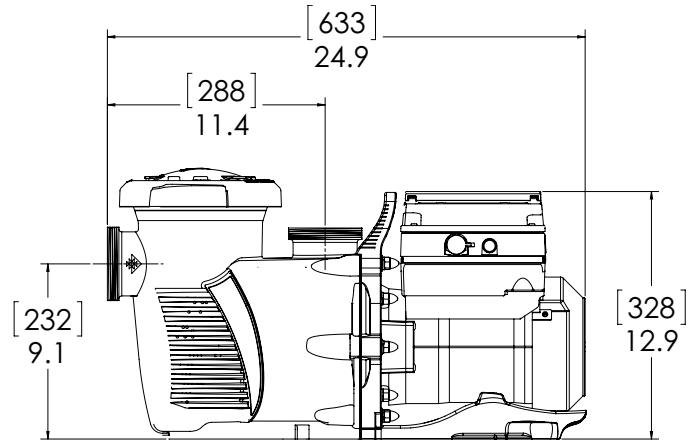
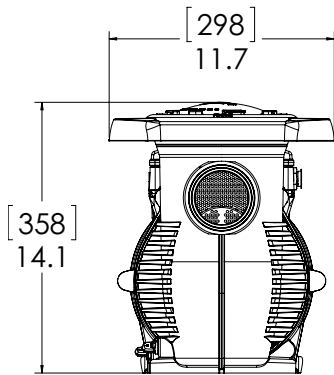
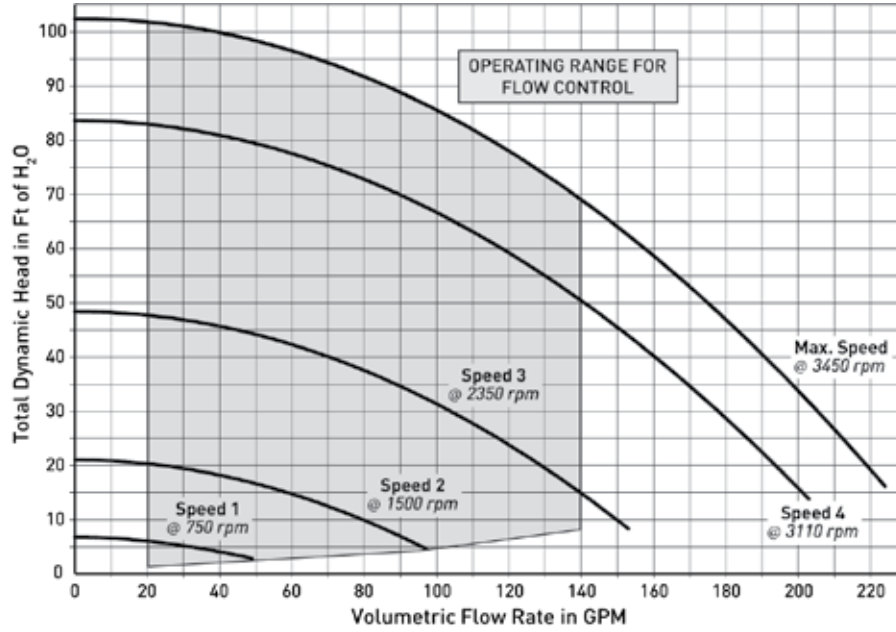
▲ **WARNING:** Cancer and Reproductive Harm.
▲ **AVERTISSEMENT:** Peut Causer le Cancer et des Dommages au Système Reproducteur.
▲ **ADVERTENCIA:** Cáncer y Daño Reproductivo.

www.p65warnings.ca.gov
P632017A

INTELLIFLOXF[®] VSF

VARIABLE SPEED AND FLOW PUMP (CONT'D)

Dimensions and Performance



INTELLIFLO® VS+SVRS

HIGH PERFORMANCE PUMPS



IntelliFlo VS+SVRS
High Performance Pump

Patent Information: www.pentair.com/patents

IntelliFlo pumps combine variable speed technology, onboard digital intelligence and permanent magnet motors (used in hybrid cars) to reduce pump-related energy costs by up to 90%*. The IntelliFlo VS+SVRS pump models were the first swimming pool pumps to feature a built-in Safety Vacuum Release System that detects drain blockage and automatically shuts the pump off.

Featured Highlights

- Ability to program exact pump speeds for specific operations – filtering, heating, cleaning, spa jets, water features and more
- SVRS complies with Virginia Graeme Baker Safety Act
- Built-in diagnostics helps protect the IntelliFlo pump from the most common causes of premature failure – overheating, freezing, and voltage irregularities.
- Includes priming protection. No SVRS calibrations needed. Built-in SVRS cannot be turned off.
- Safety lock-out feature (password protected) prevents pump speed settings from being changed by unauthorized personnel
- Ability to set minimum and maximum speeds so pump will only operate within the ranges set to help assure suitable operation for a longer life
- Compatible with Pentair Automation Systems
- Compliant with the current ASME A112.19.17 Standard for Safety Vacuum Release Systems (SVRS)
- Operates seamlessly on 50 hz or 60 hz input power. Flow/speed are constant when operating on 50hz or 60 hz.

Ordering Information

Product	Description	THP	WEF	HHP	Service Factor	Voltage	Frequency	Current	Port Size	Weight	Certifications ³
ENERGY EFFICIENT VARIABLE SPEED WITH SAFETY VACUUM RELEASE SYSTEM											
011057	IntelliFlo VS+SVRS	3.95	6.9	1.88	1.0	230	50/60	16.0	2" x 2"	53	UL ¹ , NSF ²
ACCESSORIES											
521109	IntelliCom 2 - Rated 9 - 30 V DC with 4 inputs										1
350122	Communication Cable - 50 ft. - Included with pump										2
350250Z	SVRS KIT - Allows use of discharge check valves with SVRS pump										1
356198	Chemical/Salt/Ozone Resistant EPDM & SS Seal Quick Kit										1
UNIONS											
11201-0154	2 in. x 2 in. Union (2 in. NPT male x 2 in. female NPT quick connect)										* Note: two required per pump (sold individually) 2

¹ 'UL' indicates that pump bears a UL mark signifying evaluation to U.S. Standards UL1081 for Permanently Connected Swimming Pool and Spa Pumps and to Canadian Standards CAN/CSA C22.2 No. 108-01 Liquid Pumps For Swimming Pools Only (Enclosure 3).

² 'NSF' indicates that pump bears a mark signifying evaluation to NSF Standard 50 For Self-Priming Centrifugal Pumps For Swimming Pools Only.

³ Product may have been evaluated to other state and local regulatory standards. Listing status may change. Always confirm status with appropriate agency if in doubt.

Note: Pump must be used with current collectors when installed on spas or hot tubs in Canada.

• Savings based on variable speed pump compared to a single-speed pump running 12 hours per day at an average of \$0.16 per kWh in a 20,000 gallon pool. Actual savings may vary based on local utility rates, pool size, pump run time, pump horsepower, pump rpm, plumbing size and length, pump model, service factor and other hydraulic factors.

Refer to catalog page 15 for a selection of 2-Pole GFCI breakers which offer 6 milliamp personnel protection while meeting 2008 to Current NEC Standards for Pool Pumps.

CALIFORNIA PROPOSITION 65 WARNING

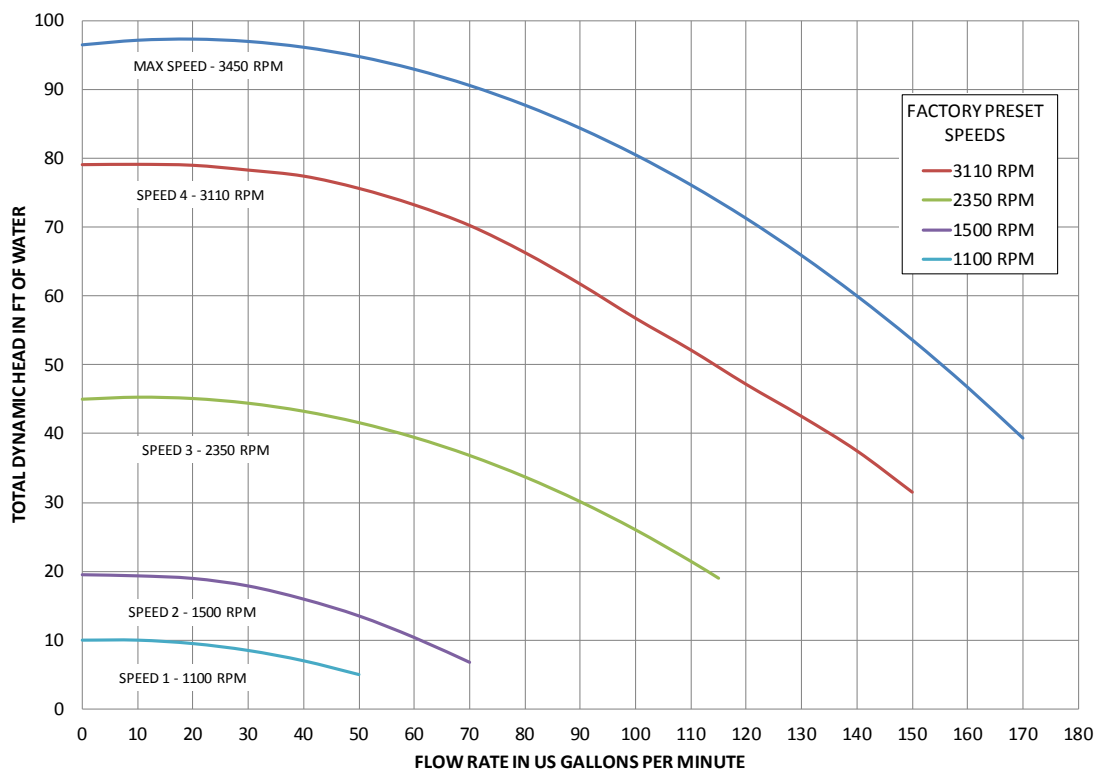
▲ **WARNING:** Cancer and Reproductive Harm.
▲ **AVERTISSEMENT:** Peut Causer le Cancer et des Dommages au Système Reproducteur.
▲ **ADVERTENCIA:** Cáncer y Daño Reproductivo.

www.p65warnings.ca.gov
PR030714

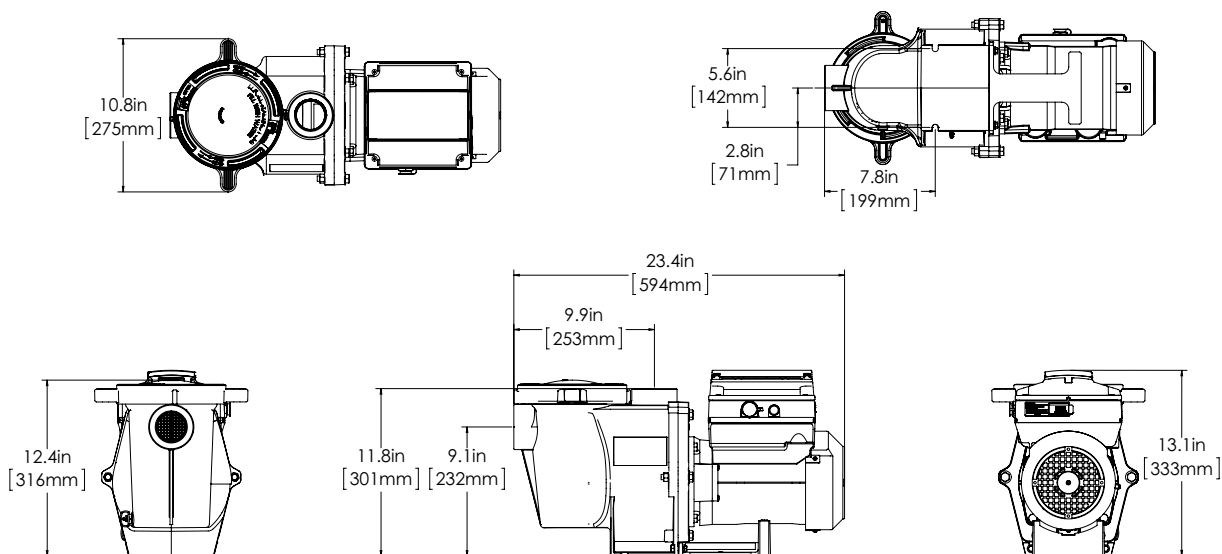
INTELLIFLO® VS+SVRS

HIGH PERFORMANCE PUMPS (CONT'D)

Dimensions and Performance



Note: IntelliFlo VS+SVRS minimum speed is 1100 RPM



WHISPERFLO®

HIGH PERFORMANCE PUMPS

TRADEGRADE



WhisperFlo Pump shown with TEFC Motor

Robust thermoplastic with the Cam & Ramp™ See-Through Lid design. Self-priming, high flow with Funnel-Flo™ Diffusers. 2 in. suction and discharge ports. Motor features threaded shaft and durable commercial duty 56 frame motor.

Featured Highlights

- Oversized strainer basket and volute—industry standard in pool pumps
- TEFC Motors available
- Lower HP's deliver higher performance than industry standard
- Compatible with all cleaning systems, various filters and jet action spas
- Heavy-duty/durable construction is designed for long life
- Designed for residential and commercial applications

CALIFORNIA PROPOSITION 65 WARNING

⚠ **WARNING:** Cancer and Reproductive Harm.
 ⚠ **AVERTISSEMENT:** Peut Causer le Cancer et des Dommages au Système Reproducteur.
 ⚠ **ADVERTENCIA:** Cáncer y Daño Reproductivo.
www.p65warnings.ca.gov PH 201714

Ordering Information

Product	Rated HP	THP	WEF	HHP	Service Factor	Voltage	Frequency	Current	Port Size	Weight	Certifications ³	Curve Key
DOE COMPLIANT SINGLE-SPEED TEFC												
015583	N/A	1.1	3.4	0.69	1.00	115/208-230	60	10.5/5.4-5.4	2" x 2"	50	UL ¹ , NSF ²	E
ENERGY EFFICIENT SINGLE-SPEED - NOT FOR SALE IN THE USA												
011511-INT	1/2	0.95	N/A	N/A	1.00	115/208-230	60	8.8/4.5-4.4	2" x 2"	44	UL ¹ , NSF ²	E
011512-INT	3/4	1.25	N/A	N/A	1.00	115/208-230	60	12.8/7.0-6.4	2" x 2"	44	UL ¹ , NSF ²	F
TEFC SINGLE-SPEED - NOT FOR SALE IN THE USA												
011527-INT	1	1.65	N/A	N/A	1.00	115/208-230	60	15.1/8.5-7.7	2" x 2"	50	UL ¹ , NSF ²	G
011528-INT	1 1/2	2.21	N/A	N/A	1.00	208-230	60	10.3-9.1	2" x 2"	53	UL ¹ , NSF ²	H
011529-INT	2	2.60	N/A	N/A	1.00	208-230	60	11.7-10.3	2" x 2"	58	UL ¹ , NSF ²	I
011530-INT	3	3.45	N/A	N/A	1.00	208-230	60	14.6-12.7	2" x 2"	62	UL ¹ , NSF ²	J
ENERGY EFFICIENT 50 HZ SINGLE-SPEED - NOT FOR SALE IN THE USA												
347926-INT	1/2	0.55	N/A	N/A	1.10	240/120	50	7.5/15.0	2" x 2"	45	—	—
347927-INT	3/4	0.83	N/A	N/A	1.10	240/120	50	7.5/15.0	2" x 2"	45	—	—
347928-INT	1	1.10	N/A	N/A	1.10	240/120	50	6.9/13.8	2" x 2"	52	—	—
347929-INT	1 1/2	1.65	N/A	N/A	1.10	240	50	7.2	2" x 2"	52	—	—
347930-INT	2	2.20	N/A	N/A	1.10	240	50	9.4	2" x 2"	55	—	—
THREE-PHASE SUPER-DUTY												
011641	1	1.65	2.9	1.10	1.65	208-230/460	60	4.9-4.5/2.3	2" x 2"	41	UL ¹ , NSF ²	G
011642	1.5	2.21	2.6	1.44	1.47	208-230/460	60	6.4-6.3/3.2	2" x 2"	43	UL ¹ , NSF ²	H
011643	2	2.60	2.5	1.61	1.30	208-230/460	60	7.5-7.2/3.6	2" x 2"	47	UL ¹ , NSF ²	I
011644	3	3.45	2.1	2.02	1.15	208-230/460	60	9.8-9.4/4.7	2" x 2"	52	UL ¹ , NSF ²	J
ACCESSORIES												
11201-0154	2 in. x 2 in. Union (2 in. NPT male x 2 in. female NPT quick connect) * Note: two required per pump (sold individually)											
357156	Cover/Lid, Chemical Resistant, CAM & RAMP											
356198	Chemical/Salt/Ozone/Resistant EPDM & SS Seal Quick Kit											

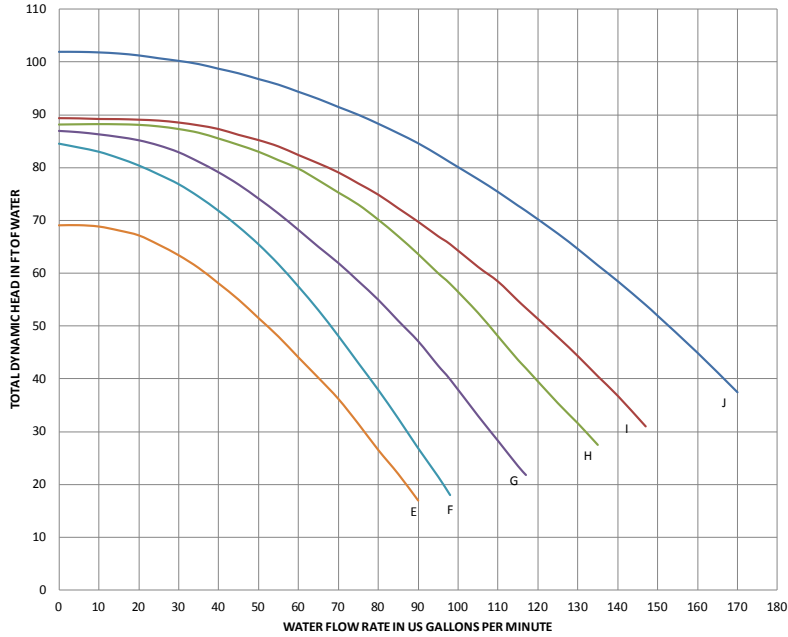
¹ 'UL' indicates that pump bears a UL mark signifying evaluation to U.S. Standards UL1081 for Permanently Connected Swimming Pool and Spa Pumps and to Canadian Standards CAN/CSA C22.2 No. 108-01 Liquid Pumps For Swimming Pools Only (Enclosure 3).

³ Product may have been evaluated to other state and local regulatory standards. Listing status may change. Always confirm status with appropriate agency if in doubt.

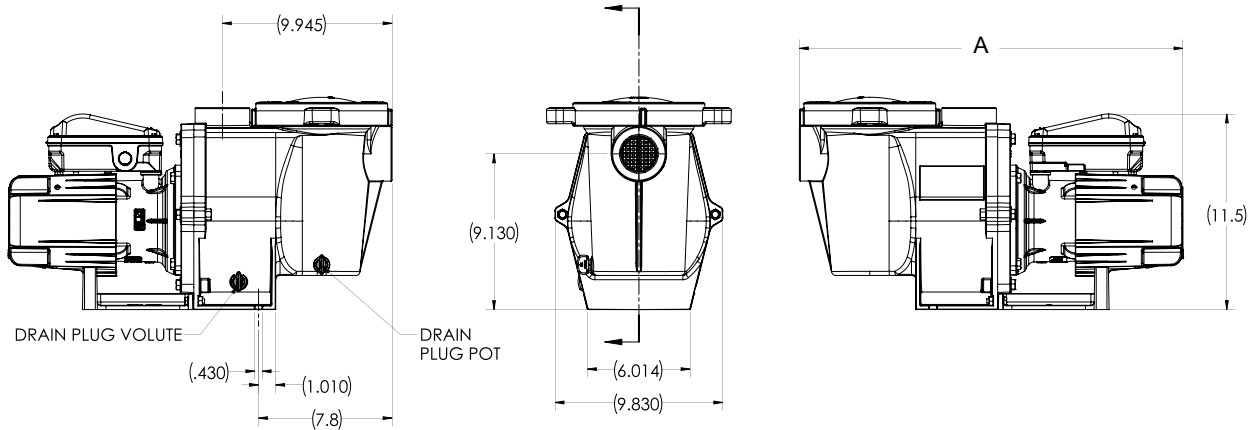
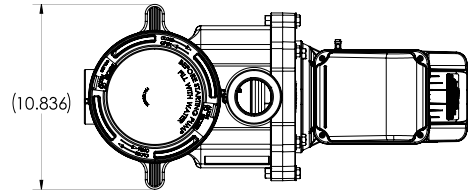
² 'NSF' indicates that pump bears a mark signifying evaluation to NSF Standard 50 For Self-Priming Centrifugal Pumps For Swimming Pools, Spas and Hot Tubs.

WHISPERFLO® HIGH PERFORMANCE PUMPS (CONT'D)

Dimensions and Performance



A- VARYING LENGTH				
HP	EE	TEFC	DOE Compliant	3-PH
0.5	24.41	—	—	—
0.75	24.41	—	—	—
1	—	21.71	—	21.5
1.1	—	—	22.5	—
1.5	—	22.16	—	21.5
2	—	22.51	—	21.81
3	—	23.21	—	22.61



MAX-E-PROXF[®] VS COMMERCIAL VARIABLE SPEED PUMP



TRADEGRADE



Max-E-ProXF VS Pump

Featured Highlights

- Integrated 5HP motor/drive; no expensive external drive required
- Versatile power input capability; runs off a wide range of single- or three-phase power
- Speed or flow control for maximum efficiency and pool performance*
- External control capability through automation systems or relays
- Intuitive programming and operation
- Meets commercial codes and agency requirements

The first variable speed pump that runs on single-phase or three-phase power. It's economical, combined motor/drive solution for HMAc (hotel, motel, apartment, condominium) or large residential installations, providing sophisticated, energy-saving pump technology without the high costs typically associated with independent pump/external drive setups.

Ordering Information

Product	THP	WEF	HHP	Service Factor	Voltage	Frequency	Current	Port Size	Weight	Certifications ³
WHISPERFLOXF VARIABLE SPEED										
023035	5.0	5.0	2.09	1.00	Single-Phase: 208-230/277-460 Three-Phase: 208-460	50/60	Single-Phase: 20-21/17-11 Three-Phase: 13-6	2.5" x 2.5" or 3" x 3"	95	UL ¹ , NSF ²
ACCESSORIES										
356324Z	RS-485 Automation Wiring Kit, 25 ft.									
400012	XF Riser Base - Simplifies installation of XF-series pumps in application where Challenger Pumps are being replaced.									

*When connected to Pentair's inline 4-20mA flowmeter for 3" plumbing (P/N 97014-4203KIT—sold separately), or similar 4-20mA flowmeters, this pump is capable of maintaining a constant flow based on the needs of your pool system. To connect the flowmeter and pump, the digital input cable provided in the External Control Wiring Kit (P/N 356324Z sold separately) is required.

¹ 'UL' indicates that pump bears a UL mark signifying evaluation to U.S. Standards UL1081 for Permanently Connected Swimming Pool and Spa Pumps and to Canadian Standards CAN/CSA C22.2 No. 108-01 Liquid Pumps For Swimming Pools Only (Enclosure 3).

² 'NSF' indicates that pump bears a mark signifying evaluation to NSF Standard 50 For Self-Priming Centrifugal Pumps For Swimming Pools, Spas and Hot Tubs.

³ Product may have been evaluated to other state and local regulatory standards. Listing status may change. Always confirm status with appropriate agency if in doubt.

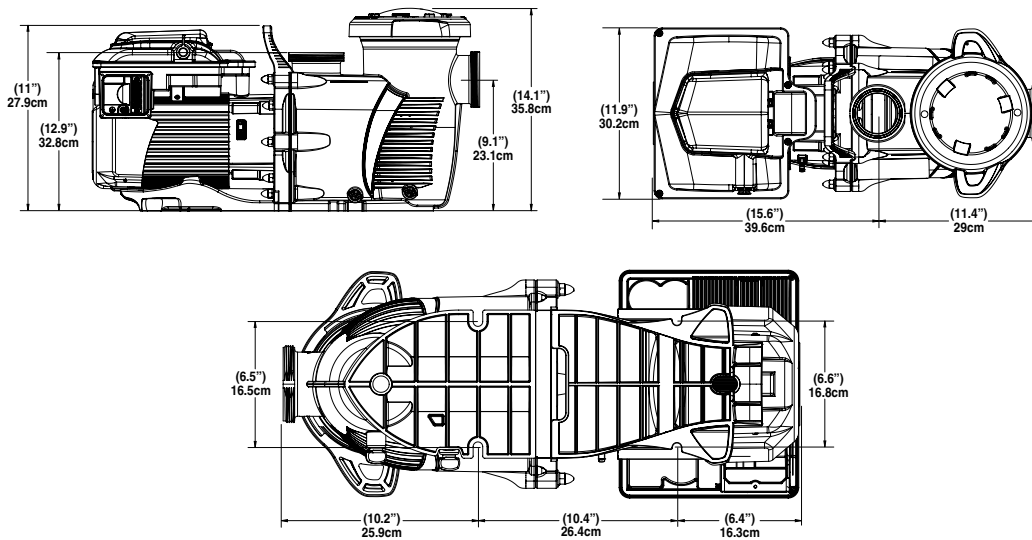
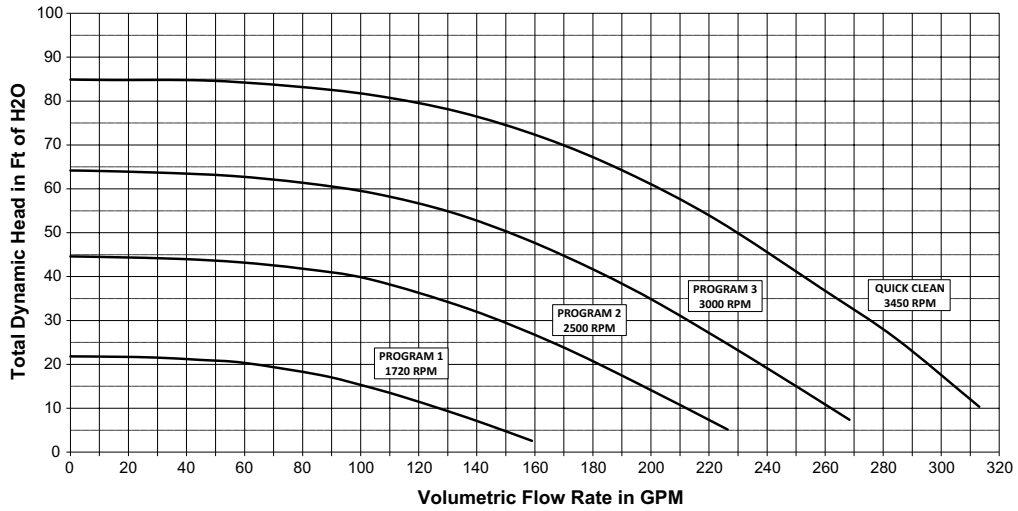
CALIFORNIA PROPOSITION 65 WARNING

▲ **WARNING:** Cancer and Reproductive Harm.
▲ **AVERTISSEMENT:** Peut Causer le Cancer et des Dommages au Système Reproducteur.
▲ **ADVERTENCIA:** Cáncer y Daño Reproductivo.

www.p65warnings.ca.gov
PH.202114

MAX-E-PROXF[®] VS COMMERCIAL VARIABLE SPEED PUMP (CONT'D)

Dimensions and Performance



MAX-E-PROXF[®]

HIGH PERFORMANCE PUMPS



TRADEGRADE



Max-E-ProXF Pump shown with TEFC Motor

Developed using the most advanced engineering tools available - CFD (Computational Fluid Dynamics) and FEA (Finite Element Analysis). The impeller design delivers high level of precision concentricity for increased efficiency.

Featured Highlights

- Drop-in replacement for all Max-E-Pro[®] Pump models. Simple replacement for Challenger[®] Pumps *
- Hydraulic isolator separates priming water from pumping water for faster priming, more turbulent-free flow and increased efficiency
- Union connectors included for connecting directly to 2.5 in. or 3 in. plumbing
- Extra large, robust basket with smooth surface for easy debris removal
- Easy-carry handle; easily removable ergonomic lock ring; and see-through lid for easy basket inspection
- Three Phase XF pumps are compatible with Pentair's Acu Drive XS VFD's
- Optional riser base for Challenger pump replacements, part #400012 available separately

Ordering Information

Product	Rated HP	THP	WEF	HHP	Service Factor	Voltage	Frequency	Current	Port Size	Weight	Certifications ³	Curve Key
COMMERCIAL SINGLE-SPEED TEFC												
023034	5	5	N/A	N/A	1.00	208-230	60	20.0-18.8	2.5" x 2.5" or 3" x 3"	67	UL ¹ , NSF ²	C
TEFC SINGLE-SPEED - NOT FOR SALE IN THE USA												
023032-INT	2	2.60	N/A	N/A	1.30	208-230	60	11.1-9.5	2.5" x 2.5" or 3" x 3"	57	UL ¹ , NSF ²	B
023033-INT	3	3.45	N/A	N/A	1.15	208-230	60	14.6-12.7	2.5" x 2.5" or 3" x 3"	61	UL ¹ , NSF ²	A
THREE-PHASE SUPER-DUTY												
023017	2	2.6	N/A	N/A	1.30	208-230/460	60	7.5-7.2/3.6	2.5" x 2.5" or 3" x 3"	60	UL ¹ , NSF ²	I
023018	3	3.25	N/A	N/A	1.15	208-230/460	60	9.8-9.4/4.7	2.5" x 2.5" or 3" x 3"	60	UL ¹ , NSF ²	H
023019	5	5.00	N/A	N/A	1.00	208-230/460	60	13.9-13.1/6.6	2.5" x 2.5" or 3" x 3"	72	UL ¹ , NSF ²	G
ACCESSORIES												
400012	XF Riser Base - Simplifies installation of XF-series pumps in applications where Challenger pumps are being replaced.											

¹ 'UL' indicates that pump bears a UL mark signifying evaluation to U.S. Standards UL1081 for Permanently Connected Swimming Pool and Spa Pumps and to Canadian Standards CAN/CSA C22.2 No. 108-01 Liquid Pumps For Swimming Pools Only (Enclosure 3).

² 'NSF' indicates that pump bears a mark signifying evaluation to NSF Standard 50 For Self-Priming Centrifugal Pumps For Swimming Pools, Spas and Hot Tubs.

³ Product may have been evaluated to other state and local regulatory standards. Listing status may change. Always confirm status with appropriate agency if in doubt.

CALIFORNIA PROPOSITION 65 WARNING

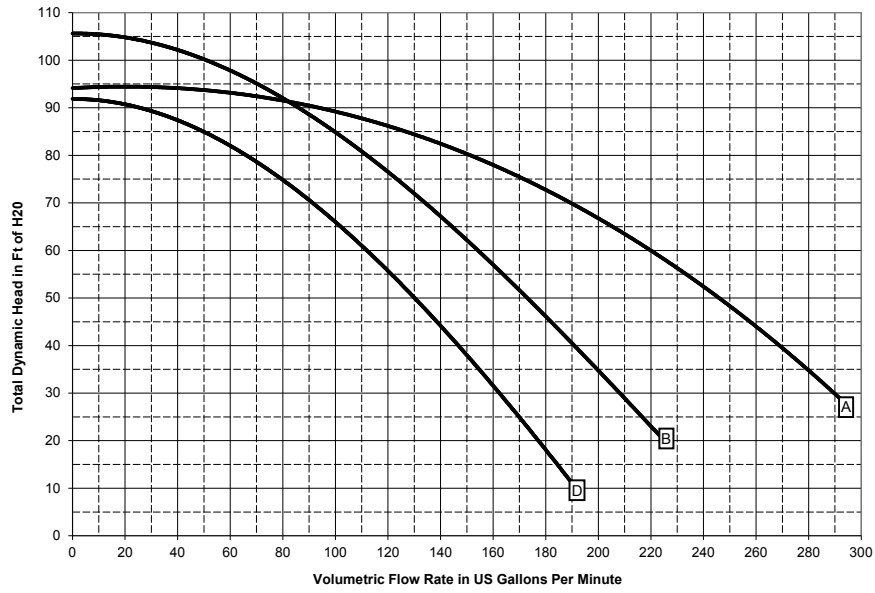
WARNING: Cancer and Reproductive Harm.
AVERTISSEMENT: Peut Causer le Cancer et des Dommages au Système Reproducteur.
ADVERTENCIA: Cáncer y Daño Reproductivo.
www.p65warnings.ca.gov

PN 20211A

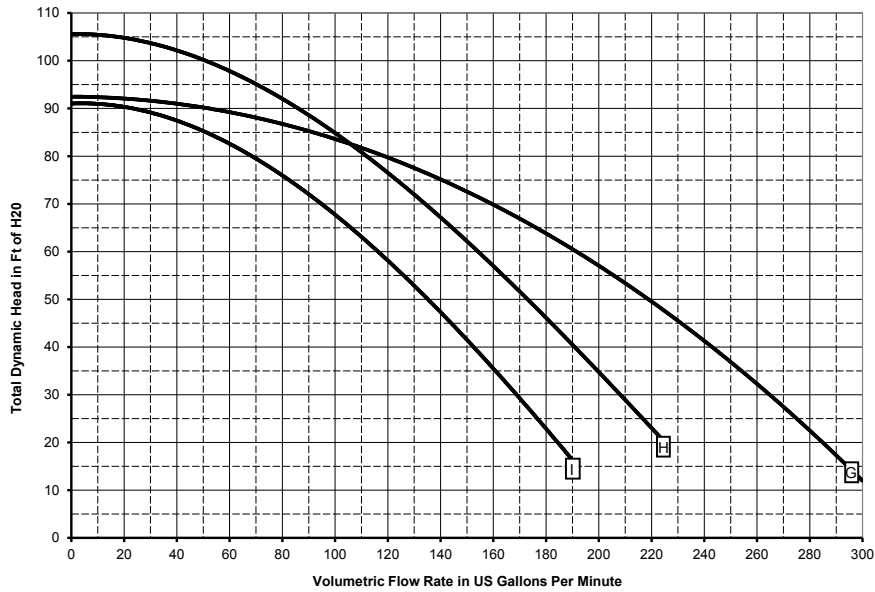
MAX-E-PROXF[®]

HIGH PERFORMANCE PUMPS (CONT'D)

1 & 2-Speed
Performance
Curve

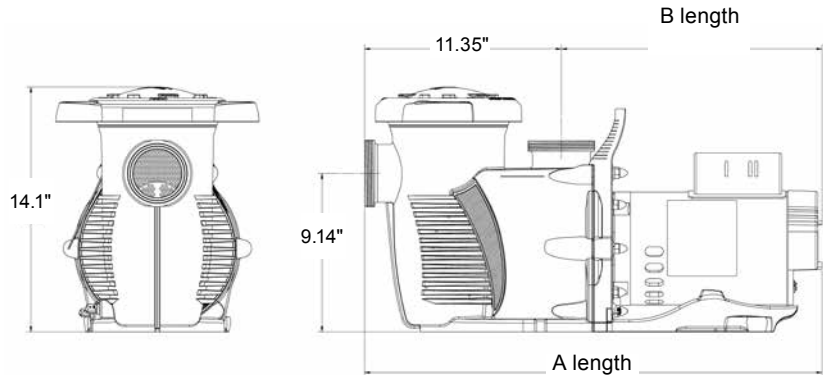


3 Phase
Performance
Curve



B-VARYING LENGTH		
HP	TEFC	3-PH
2	13.05	12.35
3	13.65	13.05

A-VARYING LENGTH		
HP	TEFC	3-PH
2	24.4	23.7
3	25	24.4



MAX-E-PRO®

HIGH-EFFICIENCY POOL/SPA PUMPS



TRADEGRADE



Max-E-Pro Pump shown with TEFC Motor

CALIFORNIA PROPOSITION 65 WARNING
 ⚠️ **WARNING:** Cancer and Reproductive Harm.
 ⚠️ **AVERTISSEMENT:** Peut Causer le Cancer et des Dommages au Système Reproducteur.
 ⚠️ **ADVERTENCIA:** Cáncer y Daño Reproductivo.
 www.p65warnings.ca.gov. PR20211A

Featured Highlights

- Typical Installation – Inground pools, pool/spa combinations, inground spas, fountains and water features
- Easy-to-Install – 2 in. ports include external and internal threads for more plumbing options
- Efficient Hydraulic Design – Moves larger volumes of water, resulting in lower operating costs
- Impeller Manufactured with PPO Resin – Withstands the toughest water environments
- EDPM Rubber Shaft Seal – Longer-lasting seal stands up to the harshest environments
- Self-lubricating Lid O-ring – Does not require lubricant

P6 & 5P6R SERIES – High efficiency, low maintenance and maximum performance—all the features demanded by today’s pool professionals. The Max-E-Pro pump has our new Quick-Lock™ Trap Cover Ring and the 2 in. ports incorporate internal and external threads. Available in single- and two-speed models, with ratings from 1/2 to 3 HP. **Built with quality construction** using a durable one-piece pump housing constructed of industry leading glass-reinforced composite resin. **Fast cleaning** with a new Quick-Lock trap cover ring permits fast access to strainer basket. Large see-through lid makes it simple to check for debris. A **strong, sturdy**, specially-designed base dampens sound and vibration, making the Max-E-Pro pump one of the quietest pumps in its class.

Ordering Information

Product	Rated HP	THP	WEF	HHP	Service Factor	Voltage	Frequency	Current	Port Size	Weight	Certifications ³	Curve Key
DOE COMPLIANT SINGLE-SPEED TEFC												
348185	N/A	1.1	3.5	0.65	1.00	115/208-230	60	10.5/5.4-5.4	2" x 2"	50	UL ¹ , NSF ²	B
ENERGY EFFICIENT SINGLE-SPEED - NOT FOR SALE IN THE USA												
P6E6C-204L-INT	1/2	0.95	N/A	N/A	1.00	115/208-230	60	11/5.5	2" x 2"	44	UL ¹ , NSF ²	A
P6E6D-205L-INT	3/4	1.25	N/A	N/A	1.00	115/208-230	60	13.8/6.9	2" x 2"	44	UL ¹ , NSF ²	C
TEFC SINGLE-SPEED - NOT FOR SALE IN THE USA												
348150-INT	1	1.65	N/A	N/A	1.00	115/208-230	60	15.1/8.5-7.7	2" x 2"	50	UL ¹ , NSF ²	D
348151-INT	1-1/2	2.21	N/A	N/A	1.00	208-230	60	10.3-9.1	2" x 2"	53	UL ¹ , NSF ²	E
348152-INT	2	2.60	N/A	N/A	1.00	208-230	60	11.7-10.3	2" x 2"	58	UL ¹ , NSF ²	F
348153-INT	3	3.45	N/A	N/A	1.00	208-230	60	14.6-12.7	2" x 2"	62	UL ¹ , NSF ²	G
ENERGY EFFICIENT 50 HZ SINGLE-SPEED - NOT FOR SALE IN THE USA												
5P6R6D-209-INT	1/2	0.55	N/A	N/A	1.10	240/120	50	12.6/6.1	2" x 2"	45	—	I
5P6R6E-210-INT	3/4	0.83	N/A	N/A	1.10	240/120	50	15.4/7.7	2" x 2"	45	—	J
5P6R6F-211-INT	1	1.10	N/A	N/A	1.10	240/120	50	19.4/9.7	2" x 2"	52	—	K
5P6R6G-212-INT	1-1/2	1.65	N/A	N/A	1.10	240	50	10.5	2" x 2"	52	—	L
5P6R6H-213-INT	2	2.20	N/A	N/A	1.10	240	50	13.9	2" x 2"	55	—	M

MAX-E-PRO®

HIGH-EFFICIENCY POOL/SPA PUMPS (CONT'D)

Ordering Information

Product	Rated HP	THP	WEF	HHP	Service Factor	Voltage	Frequency	Current	Port Size	Weight	Certifications ³	Curve Key
THREE-PHASE SUPER-DUTY												
345076	1	1.65	*	*	1.65	208-230/460	60	4.9-4.5/2.3	2" x 2"	41	UL ¹ , NSF ²	D
345077	1-1/2	2.21	*	*	1.47	208-230/460	60	6.4-6.3/3.2	2" x 2"	43	UL ¹ , NSF ²	E
345078	2	2.60	*	*	1.30	208-230/460	60	7.5-7.2/3.6	2" x 2"	47	UL ¹ , NSF ²	F
345079	3	3.45	*	*	1.15	208-230/460	60	9.8-9.4/4.7	2" x 2"	52	UL ¹ , NSF ²	G
THREE-PHASE SINGLE-SPEED - HIGH VOLTAGE APPLICATIONS												
P6EA6D36-204	3/4	1.12	*	*	1.50	575	60	1.2	2" x 2"	37	NSF ²	C
P6EA6E36-205	1	1.4	*	*	1.40	575	60	1.5	2" x 2"	40	NSF ²	D
P6EA6F36-206	1-1/2	1.65	*	*	1.10	575	60	1.9	2" x 2"	41	NSF ²	E
P6EA6G36-207	2	2	*	*	1.00	575	60	3.2	2" x 2"	45	NSF ²	F
P6E6H36-209	3	3.45	*	*	1.15	575	60	3.9	2" x 2"	52	NSF ²	G
THREE-PHASE 50 HZ SINGLE-SPEED - NOT FOR SALE IN THE USA												
5P6R6D3-209-INT	3/4	0.95	N/A	N/A	1.27	220-240/380-415	50	3.6/2.1	2" x 2"	38	—	I
5P6R6E3-210-INT	1	1.25	N/A	N/A	1.25	220-240/380-415	50	4.0/2.3	2" x 2"	40	—	J
5P6R6F3-211-INT	1-1/2	1.65	N/A	N/A	1.10	220-240/380-415	50	5.2/3.0	2" x 2"	47	—	K
5P6R6G3-212-INT	2	2.2	N/A	N/A	1.10	220-240/380-415	50	6.6/3.8	2" x 2"	49	—	L
5P6R6H3-213-INT	3	3	N/A	N/A	1.10	220-240/380-415	50	8.0/4.7	2" x 2"	58	—	M
ACCESSORIES												
77703-0100	2 in. Union Half x 1-1/2 in. FPT – Package Of Two											
77703-0101	2 in. Union Half x 1-1/2 in. Slip – Package Of Two											
PKG 188Z	2 in. Union Half x 2 in. Slip – Package Of Two											
PKG 189	2 in. Union Half x 2 in. FPT – Package Of Two											
356196	Chemical/Salt/Ozone Resistant EPDM & SS Seal Quick Kit											

¹ 'UL' indicates that pump bears a specific UL mark signifying evaluation to U.S. Standards UL1081 for Permanently Connected Swimming Pool and Spa Pumps and to Canadian Standards CAN/CSA C22.2 No. 108-01 Liquid Pumps For Swimming Pools And Spas. (Enclosure 3).

² 'NSF' indicates that pump bears a mark signifying evaluation to NSF Standard 50 For Self-Priming Centrifugal Pumps For Swimming Pools, Spas and Hot Tubs.

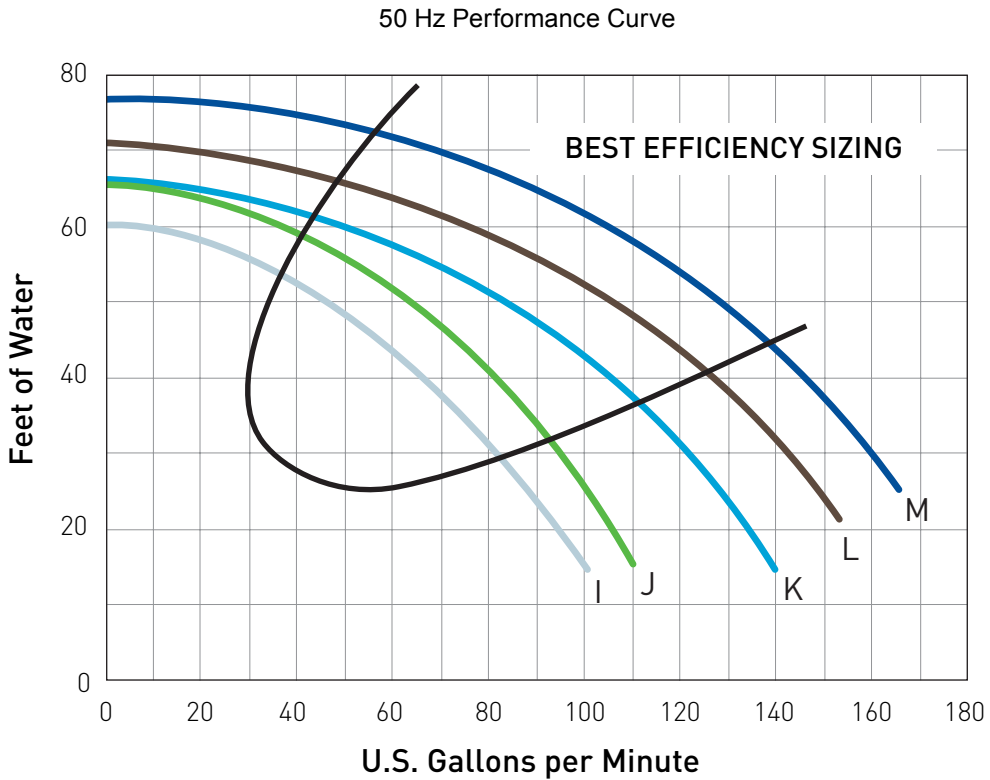
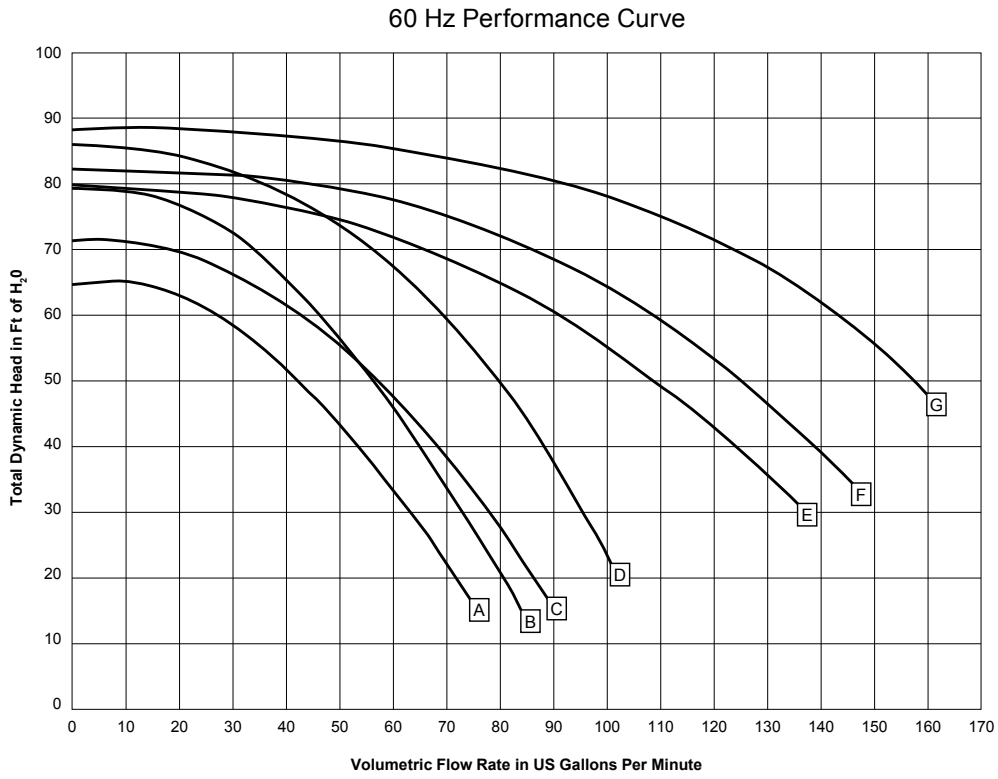
³ Product may have been evaluated to other state and local regulatory standards. Listing status may change. Always confirm status with appropriate agency if in doubt.

* WEF and HHP values will be updated at a date TBD. For product specific requests contact Pentair.

MAX-E-PRO[®]

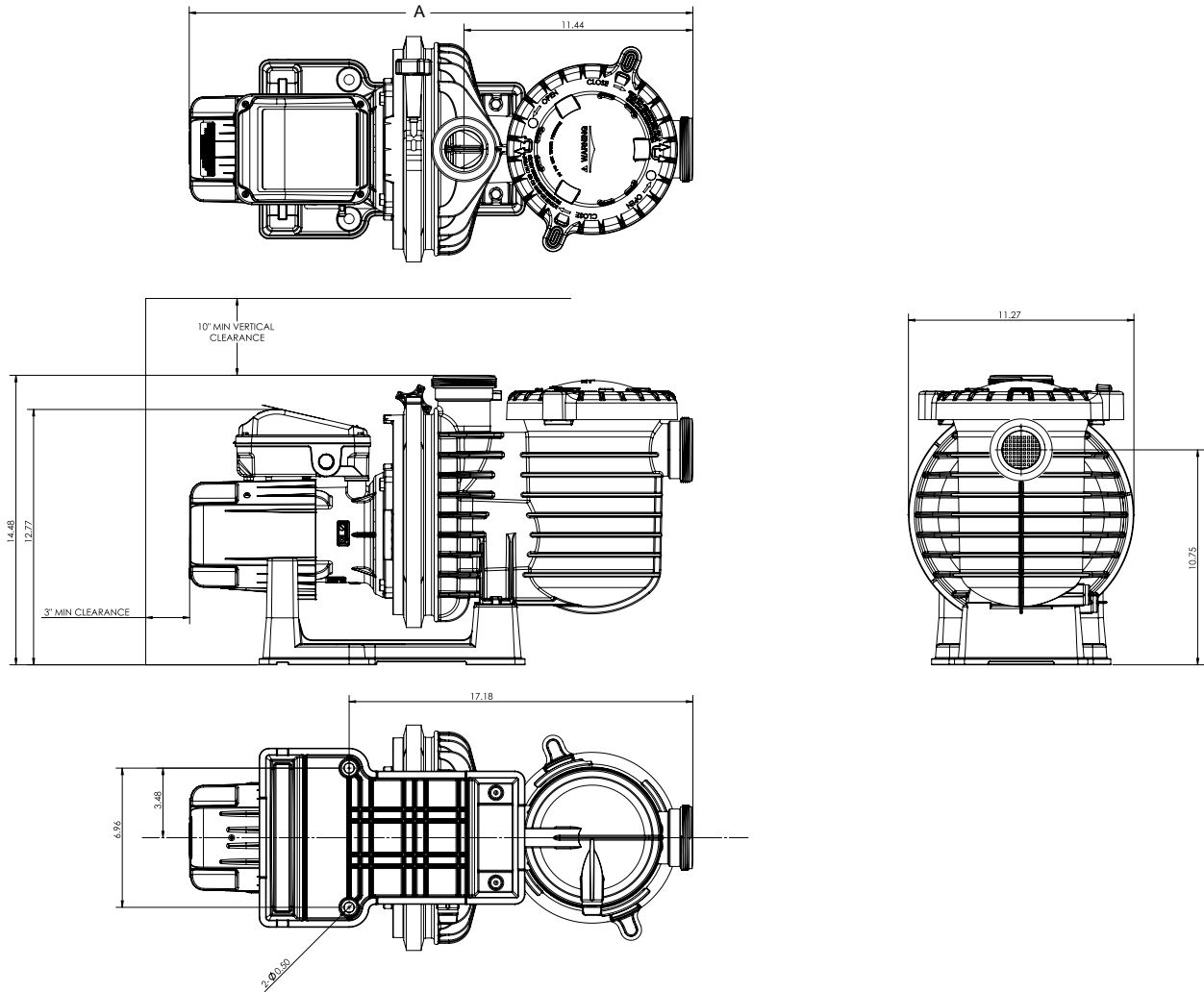
HIGH-EFFICIENCY POOL/SPA PUMPS (CONT'D)

Dimensions and Performance



MAX-E-PRO[®]

HIGH-EFFICIENCY POOL/SPA PUMPS (CONT'D)



A- VARYING LENGTH					
HP	STD EFF	EE	1PH TEFC	3PH	DOE COMPLIANT
0.5	26.92	—	—	—	—
0.75	26.92	—	—	—	—
1	27.29	28.45	25.03	24.76	—
1.1	—	—	—	—	25.18
1.5	28.92	28.45	25.48	24.76	—
2	28.92	29.08	25.93	25.17	—
3	28.92	29.08	26.53	25.87	—

INTELLIPROXF[®] VSF

VARIABLE SPEED AND FLOW PUMP



TRADEGRADE



IntelliProXF VSF Pump

Featured Highlights

- Eight programmable speed or flow settings and built-in timer
- Rotatable keypad with optional wall mount kit (sold separately)
- Top-mounted field wiring compartment is easier to access and connect
- Totally enclosed fan-cooled design keeps motor shielded from the elements for extended life
- Menus are easier than ever to use
- Union connectors included for connecting directly to 2.5" or 3" plumbing
- Maintains system flow requirements
- Compatible with Pentair Automation

Patent Information: www.pentair.com/patents

The IntelliPro VSF pump family is the first variable speed and flow pump that adjusts to changes in flow system conditions to maintain its programmed flow rate. With its available performance and efficiency, it is perfectly suited for large and feature rich pools with high flow demand.

Ordering Information

Product	Description	THP	WEF	HHP	Service Factor	Voltage	Frequency	Current	Port Size	Weight	Certifications ³
INTELLIPROXF VSF VARIABLE SPEED AND FLOW PUMP											
023056	IntelliProXF VSF	3.95	5.6	2.10	1.0	230	50/60	16.0	2" x 2"	60	UL ¹ , NSF ²
ACCESSORIES											
400012	XF Riser Base - Simplifies installation of XF-series pumps in applications where Challenger pumps are being replaced.										
521109	IntelliCom 2 - Rated 9 - 30 V DC with 4 inputs									1	
350122	Communication Cable - 50 ft. - Included with pump									2	
356905Z	Keypad Relocation Kit									1	

¹ 'UL' indicates that pump bears a UL mark signifying evaluation to U.S. Standards UL1081 for Permanently Connected Swimming Pool and Spa Pumps and to Canadian Standards CAN/CSA C22.2 No. 108-01 Liquid Pumps For Swimming Pools Only (Enclosure 3).

² 'NSF' indicates that pump bears a mark signifying evaluation to NSF Standard 50 For Self-Priming Centrifugal Pumps For Swimming Pools Only.

³ Product may have been evaluated to other state and local regulatory standards. Listing status may change. Always confirm status with appropriate agency if in doubt.

Refer to catalog page 15 for a selection of 2-Pole GFCI breakers which offer 6 milliamp personnel protection while meeting 2008 to current NEC Standards for Pool Pumps.

CALIFORNIA PROPOSITION 65 WARNING

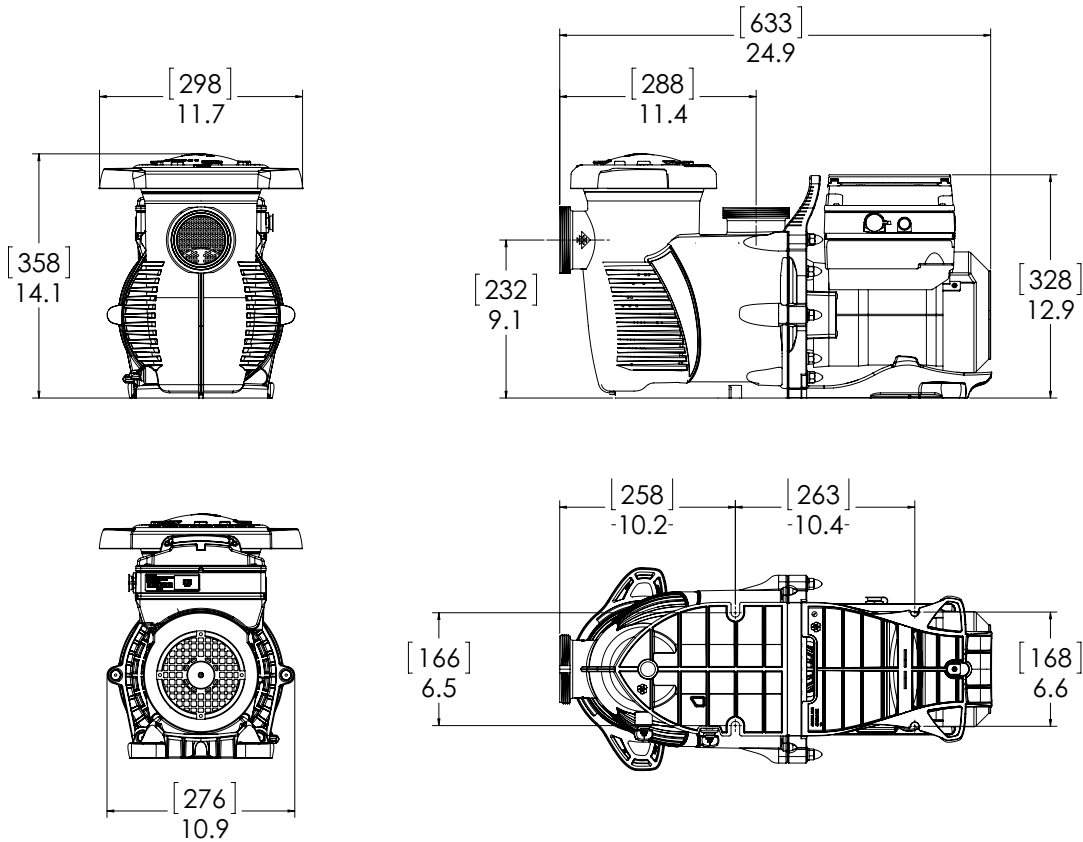
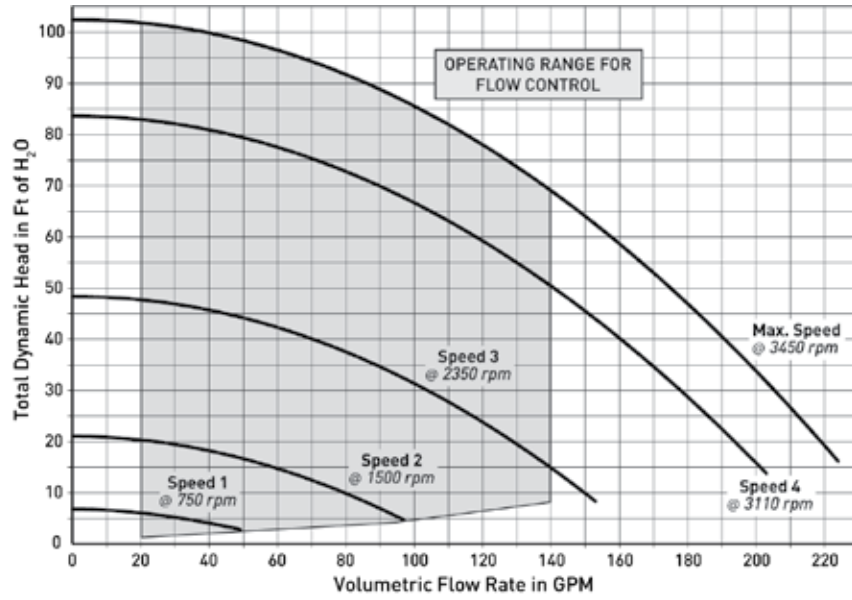
▲ **WARNING:** Cancer and Reproductive Harm.
▲ **AVERTISSEMENT:** Peut Causer le Cancer et des Dommages au Système Reproducteur.
▲ **ADVERTENCIA:** Cáncer y Daño Reproductivo.

www.p65warnings.ca.gov
PR020714A

INTELLIPROXF[®] VSF

VARIABLE SPEED AND FLOW PUMP (CONT'D)

Dimensions and Performance



INTELLIPRO® VS+SVRS HIGH PERFORMANCE PUMPS



IntelliPro VS+SVRS
Variable Speed Pump

Patent Information: www.pentair.com/patents

IntelliPro pumps combine variable speed technology, onboard digital intelligence and permanent magnet motors (used in hybrid cars) to reduce pump-related energy costs by up to 90%. The IntelliPro VS+SVRS pump models were the first swimming pool pumps to feature a built-in Safety Vacuum Release System that detects drain blockage and automatically shuts the pump off.

CALIFORNIA PROPOSITION 65 WARNING
 ⚠️ **WARNING:** Cancer and Reproductive Harm.
 ⚠️ **AVERTISSEMENT:** Peut Causer le Cancer et des Dommages au Système Reproducteur.
 ⚠️ **ADVERTENCIA:** Cáncer y Daño Reproductivo.
www.p65warnings.ca.gov PB 201714

Featured Highlights

- Ability to program exact pump speeds for specific operations – filtering, heating, cleaning, spa jets, water features and more
- SVRS complies with Virginia Graeme Baker Safety Act
- Built-in diagnostics helps protect the IntelliPro pump from the most common causes of premature failure – overheating, freezing, and voltage irregularities.
- Includes priming protection. No SVRS calibrations needed. Built-in SVRS cannot be turned off.
- Safety lock-out feature (password protected) prevents pump speed settings from being changed by unauthorized personnel
- Ability to set minimum and maximum speeds so pump will only operate within the ranges set to help assure suitable operation for a longer life
- Compatible with Pentair Automation Systems
- Compliant with the current ASME A112.19.17 standard for Safety Vacuum Release Systems (SVRS)

Ordering Information

Product	Description	THP	WEF	HHP	Service Factor	Voltage	Frequency	Current	Port Size	Weight	Certifications ³
INTELLIPRO VS+ SVRS VARIABLE SPEED WITH SAFETY VACUUM RELEASE SYSTEM											
013004	IntelliPro VSF	3.95	6.6	2.10	1.0	230	50/60	16.0	2" x 2"	53	UL ¹ , NSF ²
ACCESSORIES											
521109	IntelliCom 2 - Rated 9 - 30 V DC with 4 inputs										1
350122	Communication Cable - 50 ft. - Included with pump										2
350250Z	SVRS KIT - Allows use of discharge check valves with SVRS pump										1
356905Z	Optional Keypad Wall Mount Kit										
356196	Chemical/Salt/Ozone Resistant EPDM & SS Seal Quick Kit										1
UNIONS											
11201-0154	2 in. x 2 in. Union (2 in. NPT male x 2 in. female NPT quick connect)										* Note: two required per pump (sold individually) 2

¹ 'UL' indicates that pump bears a UL mark signifying evaluation to U.S. Standards UL1081 for Permanently Connected Swimming Pool and Spa Pumps and to Canadian Standards CAN/CSA C22.2 No. 108-01 Liquid Pumps For Swimming Pools Only (Enclosure 3).

² 'NSF' indicates that pump bears a mark signifying evaluation to NSF Standard 50 For Self-Priming Centrifugal Pumps For Swimming Pools Only.

³ Product may have been evaluated to other state and local regulatory standards. Listing status may change. Always confirm status with appropriate agency if in doubt.

Note: Pump must be used with current collectors when installed on spas or hot tubs in Canada.

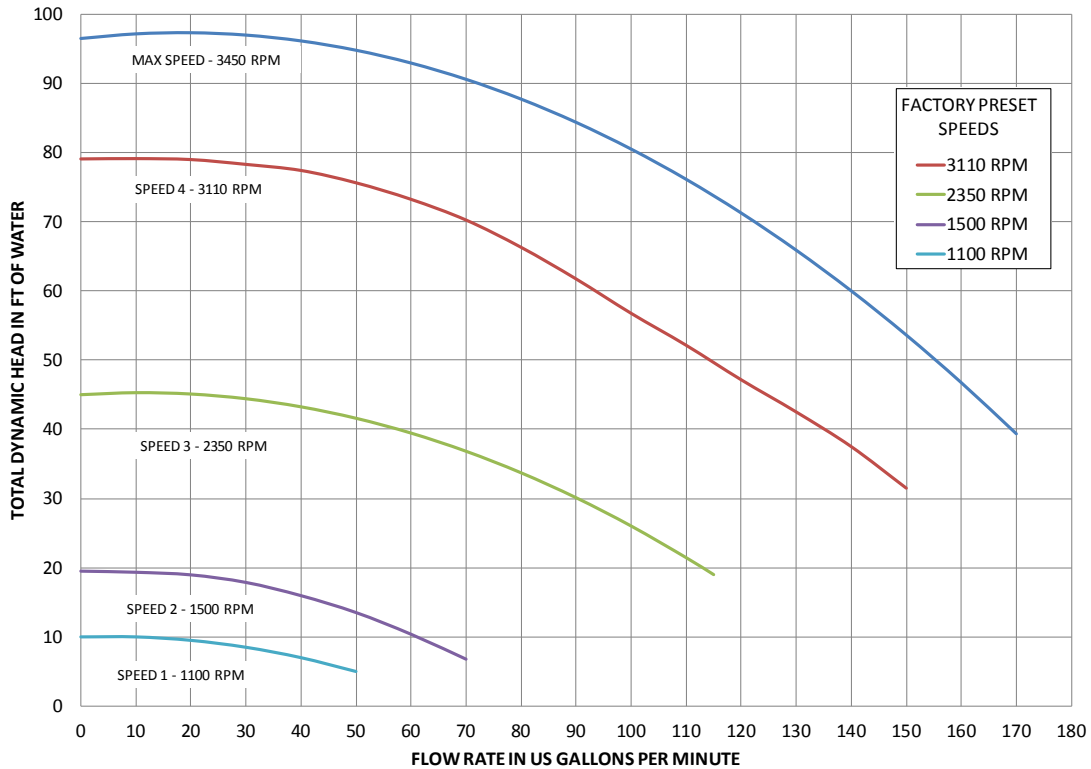
Refer to catalog page 15 for a selection of 2-Pole GFCI breakers which offer 6 milliamp personnel protection while meeting 2008 to Current NEC Standards for Pool Pumps.

• Savings based on variable speed pump compared to a single-speed pump running 12 hours per day at an average of \$0.16 per kWh in a 20,000 gallon pool. Actual savings may vary based on local utility rates, pool size, pump run time, pump horsepower, pump rpm, plumbing size and length, pump model, service factor and other hydraulic factors

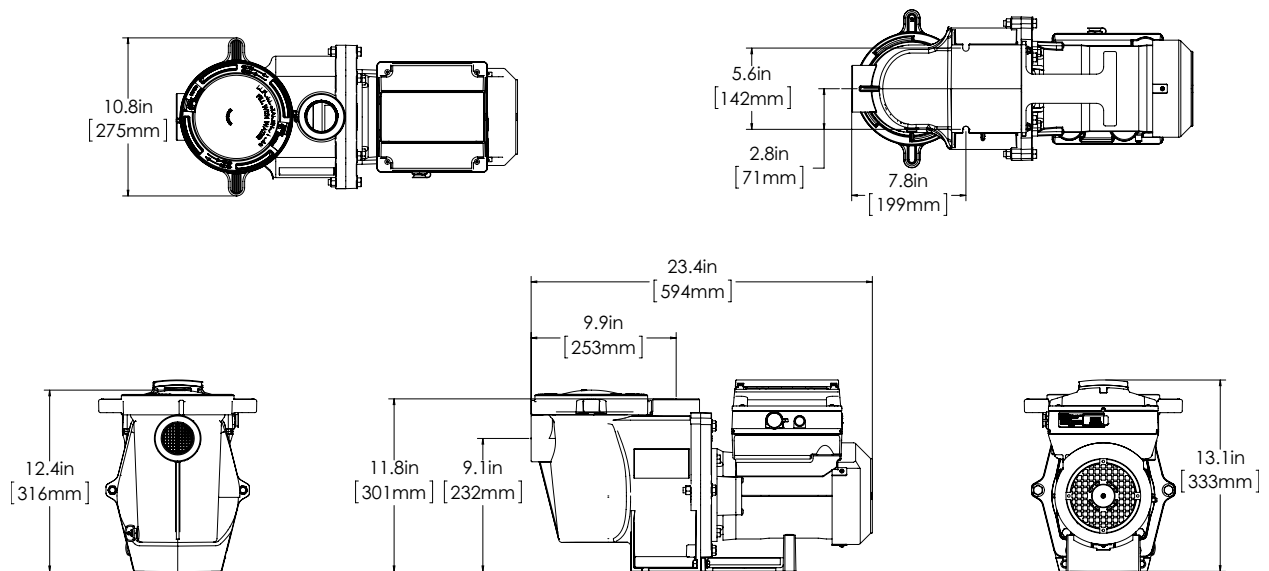
INTELLIPRO® VS+SVRS

HIGH PERFORMANCE PUMPS (CONT'D)

Dimensions and Performance



* IntelliPro VS+SVRS minimum speed is 1100 RPM



INTELLIFLO® i2

VARIABLE SPEED PUMP



IntelliFlo i2
Variable Speed Pump

Patent Information: www.pentair.com/patents

Featured Highlights

- Rotable keypad for easy programming and viewing
- Keypad has the ability to be wall mounted with optional wall kit (sold separately)
- Intuitive interface/HMI simplifies programming and use
- Top-mounted field wiring compartment for easy access and installation
- 8 programmable speed settings and built in timer
- Totally-enclosed fan-cooled design (TEFC) for quiet operation
- Built-in diagnostics helps protect the pump for longer service life
- Interfaces perfectly with Pentair automation systems

IntelliFlo i2 Variable Speed pump is hydraulically engineered to provide maximum performance on a 15-amp breaker. It has a maximum rating of 11.8 amps, also making retrofits easier in applications that are limited by existing wire gauge size. The IntelliFlo i2 pump provides all the great features that have made our best-selling IntelliFlo pumps the industry standard.

Ordering Information

Product	Description	THP	WEF	HHP	Service Factor	Voltage	Frequency	Current	Port Size	Weight	Certifications ³
ENERGY EFFICIENT VARIABLE SPEED FULL RATED											
011060	IntelliFlo i2	3.95	6.9	1.69	1.0	230	50/60	11.8	2" x 2"	53	UL ¹ , NSF ²
ACCESSORIES											
521109	IntelliCom 2 - Rated 9 - 30 V DC with 4 inputs									1	
350122	Automation Communication Cable for IntelliFlo - Included with pump									2	
357156	Chemical Resistant Lid									1	
356904Z	Optional Keypad Wall Mount Kit									2	
356198	Chemical/Salt/Ozone/Resistant EPDM & SS Seal Quick Kit									1	

¹ 'UL' indicates that pump bears a specific UL mark signifying evaluation to U.S. Standards UL1081 for Permanently Connected Swimming Pool and Spa Pumps and to Canadian Standards CAN/CSA C22.2 No. 108-01 Liquid Pumps For Swimming Pools Only (Enclosure 3).

² 'NSF' indicates that pump bears a mark signifying evaluation to NSF Standard 50 For Self-Priming Centrifugal Pumps For Swimming Pools Only.

³ Product may have been evaluated to other state and local regulatory standards. Listing status may change. Always confirm status with appropriate agency if in doubt.

Refer to catalog page 15 for a selection of 2-Pole GFCI breakers which offer 6 milliamp personnel protection while meeting 2008 to current NEC Standards for Pool Pumps.

CALIFORNIA PROPOSITION 65 WARNING

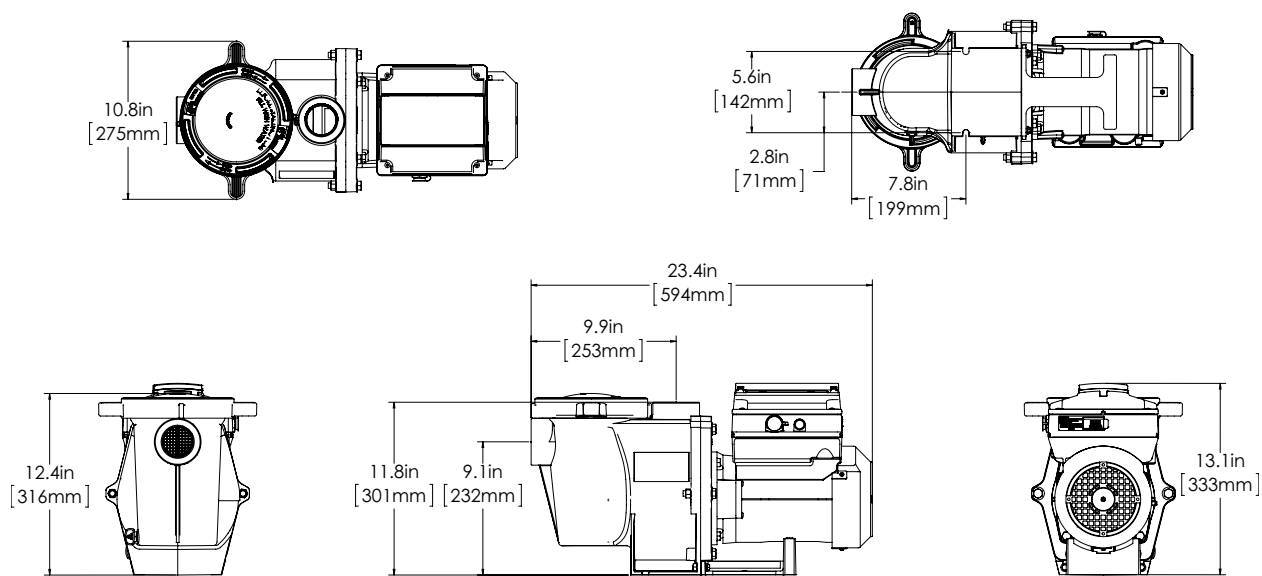
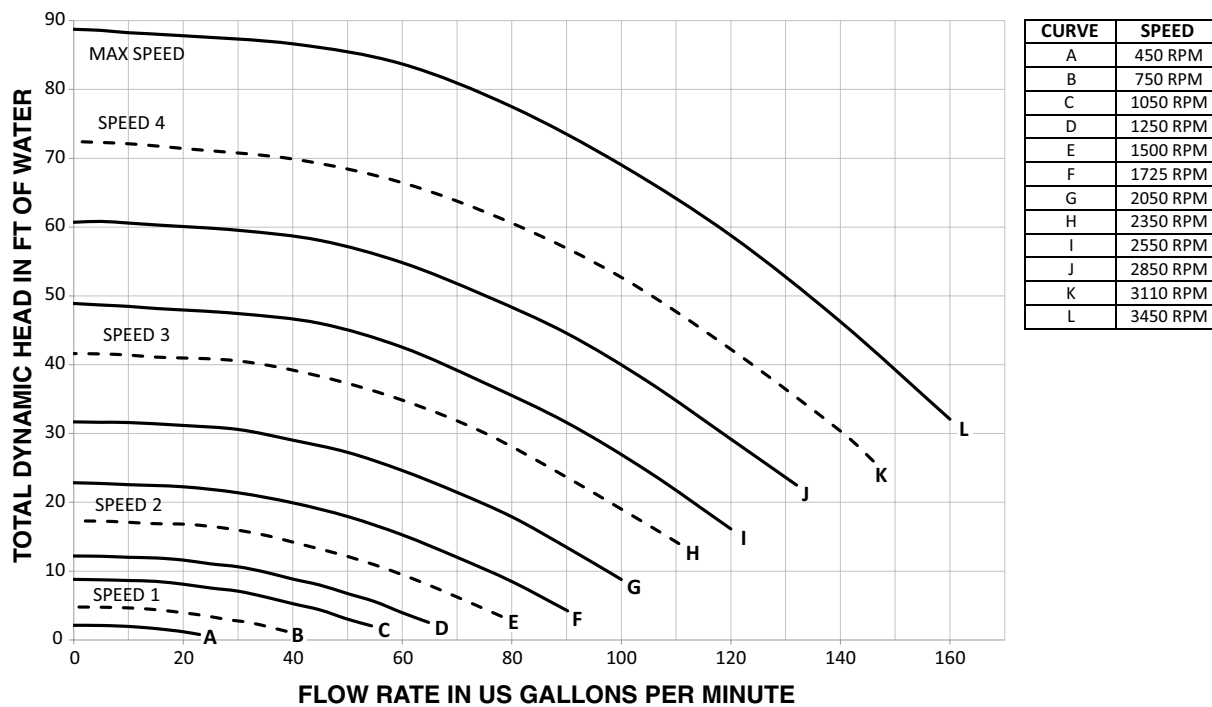
⚠ **WARNING:** Cancer and Reproductive Harm.
 ⚠ **AVERTISSEMENT:** Peut Causer le Cancer et des Dommages au Système Reproducteur.
 ⚠ **ADVERTENCIA:** Cáncer y Daño Reproductivo.

www.p65warnings.ca.gov
PH.201714

INTELLIFLO® i2

VARIABLE SPEED PUMP (CONT'D)

Dimensions and Performance



INTELLIFLO® i1

VARIABLE SPEED PUMP



IntelliFlo i1
Variable Speed Pump

Featured Highlights

- Rotable keypad for easy programming and viewing
- Keypad has the ability to be wall mounted with optional wall kit (sold separately)
- Intuitive interface/HMI simplifies programming and use
- Top-mounted field wiring compartment for easy access and installation
- 8 programmable speed settings and built in timer
- Totally-enclosed fan-cooled design (TEFC) for quiet operation
- Built-in diagnostics helps protect the pump for longer service life
- Interfaces perfectly with Pentair automation systems

Patent Information: www.pentair.com/patents

IntelliFlo i1 Variable Speed pump has a unique hydraulic platform designed for compliance in specific geographical areas with certain flow rates. IntelliFlo i1 pump provides all the features as standard IntelliFlo pumps but is engineered to be limited to the flow rate of a 1-HP pump. It also has a max amp rating of 7 amps for easy retrofits with limited existing wire gauge size.

Ordering Information

Product	Description	THP	WEF	HHP	Service Factor	Voltage	Frequency	Current	Port Size	Weight	Certifications ³
ENERGY EFFICIENT VARIABLE SPEED FULL RATED											
011059	IntelliFlo i1	3.95	7.5	1.13	1.0	230	50/60	7.3	2" x 2"	53	UL ¹ , NSF ²
ACCESSORIES											
521109	IntelliCom 2 - Rated 9 - 30 V DC with 4 inputs									1	
350122	Automation Communication Cable for IntelliFlo - Included with pump									2	
357156	Chemical Resistant Lid									1	
356904Z	Optional Keypad Wall Mount Kit									2	
356198	Chemical/Salt/Ozone/Resistant EPDM & SS Seal Quick Kit									1	

¹ 'UL' indicates that pump bears a specific UL mark signifying evaluation to U.S. Standards UL1081 for Permanently Connected Swimming Pool and Spa Pumps and to Canadian Standards CAN/CSA C22.2 No. 108-01 Liquid Pumps For Swimming Pools Only (Enclosure 3).

² 'NSF' indicates that pump bears a mark signifying evaluation to NSF Standard 50 For Self-Priming Centrifugal Pumps For Swimming Pools Only.

³ Product may have been evaluated to other state and local regulatory standards. Listing status may change. Always confirm status with appropriate agency if in doubt.

Refer to catalog page 15 for a selection of 2-Pole GFCI breakers which offer 6 milliamp personnel protection while meeting 2008 to current NEC Standards for Pool Pumps

CALIFORNIA PROPOSITION 65 WARNING

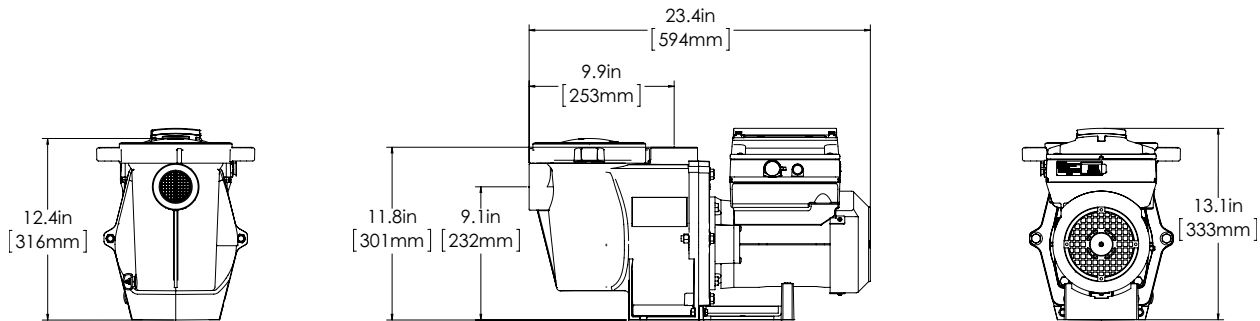
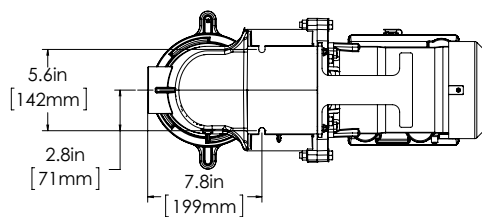
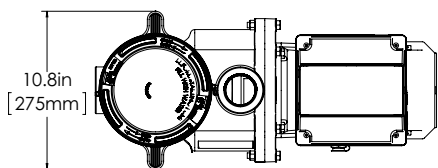
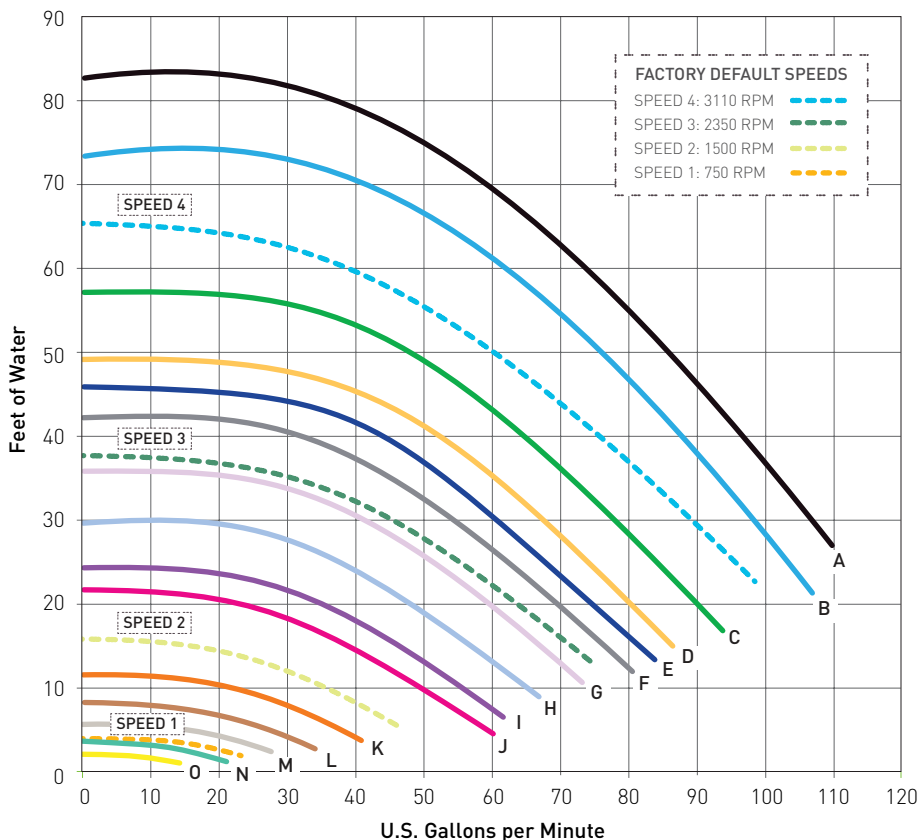
⚠ **WARNING:** Cancer and Reproductive Harm.
 ⚠ **AVERTISSEMENT:** Peut Causer le Cancer et des Dommages au Système Reproducteur.
 ⚠ **ADVERTENCIA:** Cáncer y Daño Reproductivo.

www.p65warnings.ca.gov

INTELLIFLO® i1

VARIABLE SPEED PUMP (CONT'D)

Dimensions and Performance



PS SERIES™ IN-LINE STRAINER

FOR COMMERCIAL SERIES PUMPS



PS Series In-Line Strainer

Featured Highlights

- Designed for hydraulic performance
- Clear lid with easy access allows for simple visibility of debris
- Extra large stainless steel strainer basket
- 50 psi rating
- NSF listed

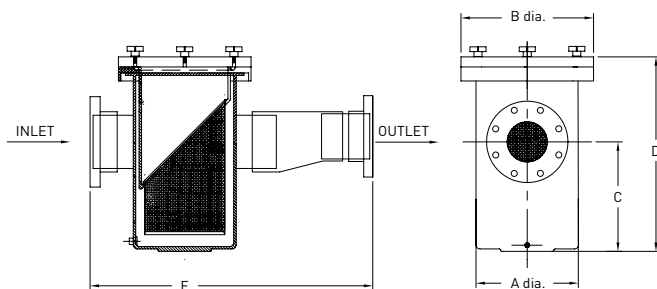
CALIFORNIA PROPOSITION 65 WARNING

⚠ **WARNING:** Cancer and Reproductive Harm.
 ⚠ **AVERTISSEMENT:** Peut Causer le Cancer et des Dommages au Système Reproducteur.
 ⚠ **ADVERTENCIA:** Cáncer y Daño Reproductivo.
www.p65warnings.ca.gov

The Commercial PS Series In-Line Strainers from Pentair are designed for ease of installation and hydraulic efficiencies in commercial aquatics applications. In three standard sizes and with the addition of eccentric reducers PS Series strainers fit with almost any plumbing configuration. The design of the PS Series accommodates the high-flow performance in a variety of applications. ANSI flange bolt pattern allows for ease of installation and peace of mind.

Ordering Information

Product	Description	Flange Size		Typical Max. Flow (GPM)	A (Inches)	B (Inches)	C (Inches)	D (Inches)	E (Inches)
		Inlet (suction)	Outlet (pump)						
PS SERIES 6 INCH SUCTION									
PS6X6	Straight	6 in.	6 in.	540	12-3/4	16-1/2	13-5/8	25-1/2	23-5/8
PS6X5E	Eccentric Reducing	6 in.	5 in.	540	12-3/4	16-1/2	13-5/8	25-1/2	35-1/4
PS6X4E	Eccentric Reducing	6 in.	4 in.	540	12-3/4	16-1/2	13-5/8	25-1/2	32-7/8
PS6X3E	Eccentric Reducing	6 in.	3 in.	540	12-3/4	16-1/2	13-5/8	25-1/2	38
PS SERIES 8 INCH SUCTION									
PS8X8	Straight	8 in.	8 in.	930	12-3/4	16-1/2	13-5/8	25-1/2	23-3/8
PS8X6E	Eccentric Reducing	8 in.	6 in.	930	12-3/4	16-1/2	13-5/8	25-1/2	35-7/8
PS8X5E	Eccentric Reducing	8 in.	5 in.	930	12-3/4	16-1/2	13-5/8	25-1/2	43-1/2
PS8X4E	Eccentric Reducing	8 in.	4 in.	930	12-3/4	16-1/2	13-5/8	25-1/2	41-1/4
PS SERIES 10 INCH SUCTION									
PS10X10	Straight	10 in.	10 in.	1470	12-3/4	16-1/2	20-5/8	32-1/2	24-1/2
PS10X8E	Eccentric Reducing	10 in.	8 in.	1470	12-3/4	16-1/2	20-5/8	32-1/2	38-3/4
PS10X6E	Eccentric Reducing	10 in.	6 in.	1470	12-3/4	16-1/2	20-5/8	32-1/2	47
PS10X5E	Eccentric Reducing	10 in.	5 in.	1470	12-3/4	16-1/2	20-5/8	32-1/2	54-1/2
BASKETS									
67150	PS6 and PS8 Basket								
67152	PS10 Basket								



Dimensions and Performance

1. Select inlet size based on size of suction pipe. Use chart above to determine Typical Max. Flow in pipe size based on flow velocity of 6 fps.
2. Select strainer outlet size to match pump inlet where practical.
3. Also available with custom flange sizes. Call factory for more information.

HAIR AND LINT STRAINER PACKAGES

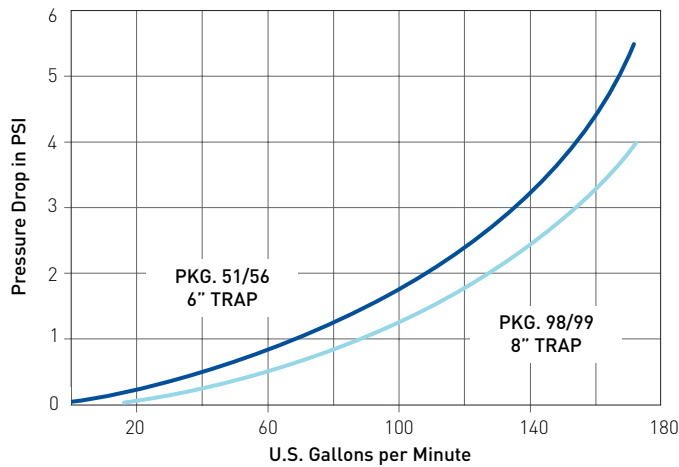


Ordering Information

Product	Description	Suction Port Size	Carton Wt. (Lbs.)
HAIR AND LINT STRAINER PACKAGES			
PKG 115	5 in. Trap with Basket (For Dura-Glas, Max-E-Glas and JWP Pumps)	1-1/2 in. NPT	5
PKG 51	6 in. Cast Iron Trap with Basket (For C, CC, and D Series Pumps)	2 in. NPT	20
PKG 56	6 in. Bronze Trap with Basket (For C, CC, and D Series Pumps)	2 in. NPT	20
PKG 98	8 in. Cast Iron Trap with Basket (For C, CC, and D Series Pumps)	3 in. NPT	40
PKG 76	Cast Iron Flange for Remote Trap Install	3 in. NPT	4
PKG 161	6 in. PPO Resin Strainer (For P2R, PE Series, Dura-Glas and Max-E-Glas Pumps)	2 in. NPT	6
PKG 184	CSP Series Hair and Lint Strainer (1100 cu. in. capacity)	6 in. ANSI Flange	180
PKG 184C	CCSP Series Hair and Lint Strainer – Coated (1100 cu. in. capacity)	6 in. ANSI Flange	180
PKG 73	3 in. Suction Flange (For C, CC, and D Series Pumps)		
PKG 72	2.5 in. Suction Flange (For C, CC, and D Series Pumps)		
PKG 52	1.5 in. Suction Flange (For C, CC, and D Series Pumps)		
PKG 53	1.5 in. Suction Flange (For C, CC, and D Series Pumps)		

CALIFORNIA PROPOSITION 65 WARNING
 ⚠️ **WARNING:** Cancer and Reproductive Harm.
 ⚠️ **AVERTISSEMENT:** Peut Causer le Cancer et des Dommages au Système Reproducteur.
 ⚠️ **ADVERTENCIA:** Cáncer y Daño Reproductivo.
www.p65warnings.ca.gov

Dimensions and Performance



PKG 76



PKG 98 - 8 in.

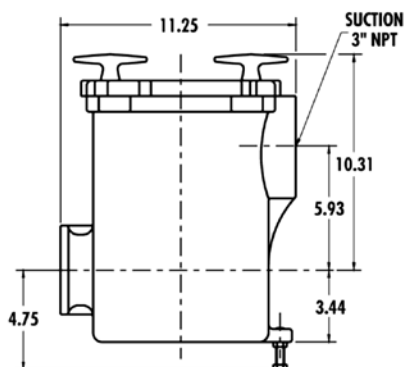


PKG 184 - 8 in.

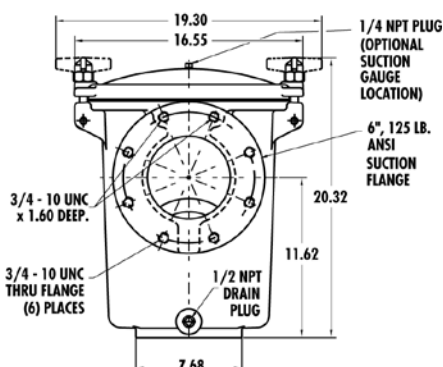


PKG 51 - 5 in. OR 6 in.

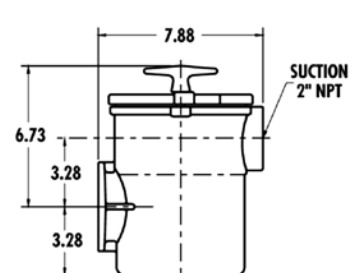
PKG 98/99 - 8 INCH TRAP



PKG 184/184C



PKG 51/56 - 6 INCH TRAP



PCD-1000 SUBMERSIBLE PUMP

STAINLESS STEEL SUBMERSIBLE POOL SERVICE PUMP



Submersible Pool Service Pump

Featured Highlights

- 115V, 60 Hz single phase, permanent split capacitor motor
- Automatic thermal overload protection
- Clog-resistant cast stainless steel impeller
- Accommodates water temperatures ranging from 32 degrees F to 130 degrees F
- Permanently lubricated ball bearings
- Equipped with 15-foot, 18/3 grounding type power cord
- Convenient top-mounted handle
- Rubber feet to eliminate scratching
- Optional float switch included

The PCD-1000 submersible, portable, high capacity pump designed for use by the professional in draining pools and spas as well as for general purpose applications, now has improved flow rates, and stainless steel casing, suction strainer, impeller and shaft for greater corrosion resistance and longer service life.

The PCD-1000 can pump water down to 1-3/8 inches in depth. Debris and stones up to 3/4 inch are able to pass through the pump. It also features a 1-1/4 inch discharge port for faster draining. Discharge port adapters are included. Optional float switch included; switch stops pump when low water level reached. Remove float switch for constant run.

CALIFORNIA PROPOSITION 65 WARNING
 ⚠️ **WARNING:** Cancer and Reproductive Harm.
 ⚠️ **AVERTISSEMENT:** Peut Causer le Cancer et des Dommages au Système Reproducteur.
 ⚠️ **ADVERTENCIA:** Cáncer y Daño Reproductivo.
www.p65warnings.ca.gov P182011A

Adaptors included:

- 1-1/4 in. Female NPT Elbow
- 1-1/4 in. Male NPT to 1-1/2 in. Female NPT Adaptor



Optional Float Switch Included



Ordering Information

Product	Description	Voltage	Full Load Amps	HP	Carton Wt. (Lbs.)
STAINLESS STEEL SUBMERSIBLE WITH BRASS BASE					
▶ PCD-1000	Submersible Utility Pump	115	6.4	3/4	15
ACCESSORIES					
ZBR46760	Replacement Float Switch				

Dimensions and Performance

Model	HP	Motor Full Load (Amps)	RPM	Minimum Circuit Req.	Liquid Temperature Range	Switch Setting		Pumps Down To
						On	Off	
PCD-1000	3/4	6.4	3450	15 amps	32/130°F 0/54°C	12" 30 cm	6" 15.2 cm	1 3/8" 3.5 cm

Pump Performance TDH/GPM						Shut Off Head
TDH	5'	10'	15'	20'	25'	28
GPM	55	45.5	36.5	25	8.5	N/A

▶ This product either meets or is exempt from the DOE Dedicated Purpose Pool Pump regulation. This product will remain available after the DOE regulation takes effect in July 2021.



 **PENTAIR**

SANITIZERS



COMMERCIAL BIOSHIELD® CLP

UV DISINFECTION STERILIZER



Establishing a healthier swimming facility begins at the pool design stage. Pentair BioShield Commercial lowpressure UV systems helps protect against Giardia, harmful waterborne pathogens and irritating chloramines.

Featured Highlights

- Energy efficient Low Pressure UV converts up to 30-40% energy into UV-C light
- Cost effective UV inhibited Schedule 80 PVC vessels stand up to UV degradation and corrosion caused by pool water
- Conserve free-chlorine by as much as 25% compared to Medium Pressure UV systems
- NSF certified with flow rates up to 2,335 GPM
- Low-pressure Amalgam UV lamps offer up to 12,000 hours of continuous operation
- Low temperature lamps conserve energy and negate the need for quartz sleeve wiper systems
- UL 508 Listed
- Single-end UV lamp and quartz sleeve access for easy servicing
- Choice of input / output piping connections
- Enhanced, electronic ballast, sized precisely to the lamp's power requirement, ensures optimal UV-C output and maximum useful lamp life
- Most effective and efficient UV-spectral power distribution

Micro-Processor Standard Features

- Touch Screen Interface
- Power Enclosure Over-Temp. Safety Shut-Down
- Vessel Over-Temp. Safety Shut-Down
- Individual Lamp Status and Re-settable Hour Meter
- Master System Hour Meter
- Output Alarm Relay
- UV Intensity Monitor
- Thermoplastic NEMA 12 Enclosure
- External Power Switch
- 20 Foot Lamp Cables
- Enclosure Cooling Fan
- RJ11 Modbus Communication (CLP6 only)



CALIFORNIA PROPOSITION 65 WARNING

⚠ **WARNING:** Cancer and Reproductive Harm.
 ⚠ **AVERTISSEMENT:** Peut Causer le Cancer et des Dommages au Système Reproducteur.
 ⚠ **ADVERTENCIA:** Cáncer y Daño Reproductivo.
www.p65warnings.ca.gov

COMMERCIAL BIOSHIELD® CLP

UV DISINFECTION STERILIZER

SIZING YOUR BIOSHIELD UV SYSTEM

1. Establishing flow rate requirements in GPM is critical to selecting the correct UV system for your application.
2. Know your UVT and dose requirement. UVT is the measure of UV-C light transmittance (254nm) in water. Contaminates and waterborne agents suspended in water will absorb UV light, preventing transmittance. Dose is a factor of UV light intensity and contact time. Pentair calculates two average dose levels for pool applications as follows:

UV Dose	Commercial Application
40 mJ/cm ²	To help the inactivation of most of the Cryptosporidium and other chlorine tolerant pathogens
60 mJ/cm ²	Additional breakdown of chloramines for greatly improved air and water quality.

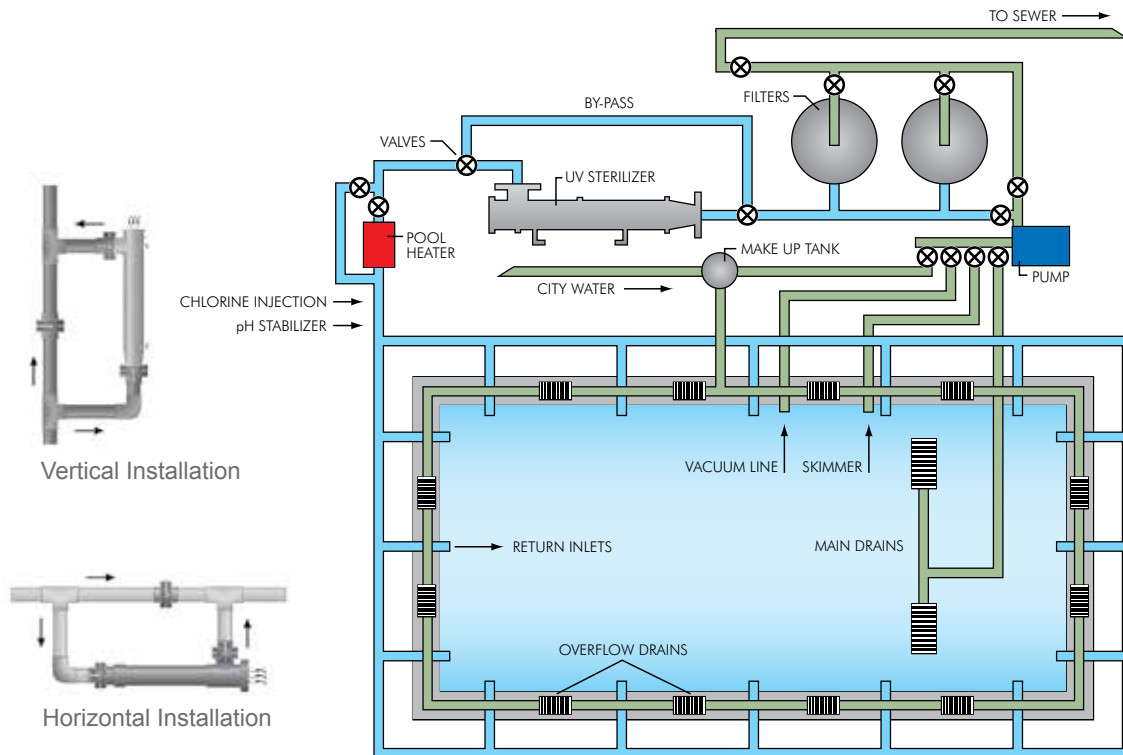
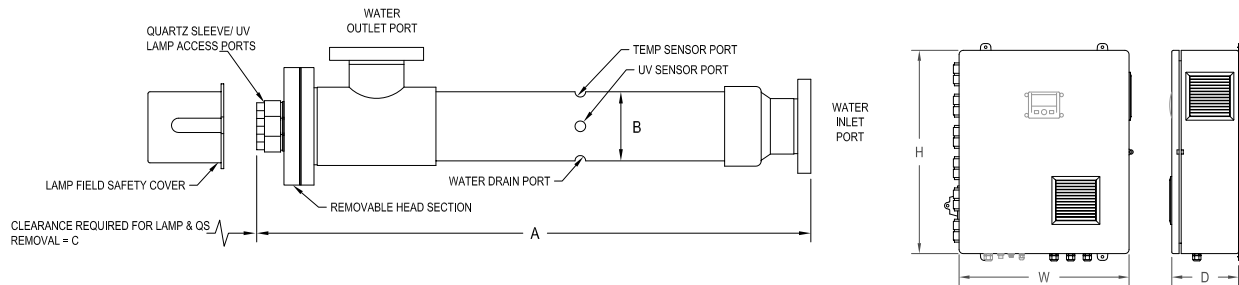
3. Choose your BioShield UV system model. Select desired dose column below. Identify maximum flow rate that meets system flow rate requirement. Complete this step for model CLP4 or CLP6 and with provided vessel and power enclosure dimensions, choose the best model suited for the mechanical space. *Note max flow rate for desired port size on each model.

Model ¹	Lamps/ Watts	Max Flow Rate (GPM) 40 mJ/cm ²	Max Flow Rate (GPM) 60 mJ/cm ²	Port Size ¹	Max. Flow	Amps Max Load	UV Vessel Dimensions ² (A x B x C)	Power Enclosure Dimensions (H x W x D)	Max. PSI
ONLY AVAILABLE IN 120VAC									
CLP41A6-XN	1/130	62	42	2"	64	2.1/1.0	56" x 6"x 47"	24.6" x 20.2" x 10.6"	100
CLP42A6-XN	2/130	105	70	3"	144	3.9/2.0	56" x 6" x 47"	24.6" x 20.2" x 10.6"	100
CLP43A6-XN	3/130	152	101	3"	144	5.8/2.9	56" x 6" x 47"	24.6" x 20.2" x 10.6"	100
				4"	251				
CLP43A8-XN	3/130	225	150	4"	251	5.8/2.9	62" x 8" x 51"	24.6" x 20.2" x 10.6"	100
CLP44A8-XN	4/130	295	196	4"	251	7.5/3.7	62" x 8" x 51"	24.6" x 20.2" x 10.6"	100
				6"	569				
CLP45A8-XN	5/130	350	233	4"	251	9.4/4.7	62" x 8" x 51"	30.5" x 24.9" x 12.6"	100
				6"	569				
CLP46A10-XN	6/130	500	334	6"	569	11.2/5.6	64" x 10" x 51"	30.5" x 24.9" x 12.6"	75
CLP47A10-XN	7/130	585	390	6"	569	13.3/6.5	64" x 10" x 51"	30.5" x 24.9" x 12.6"	75
				8"	996				
CLP47A12-XN	7/130	700	467	6"	569	13.3/6.5	69" x 12" x 51"	30.5" x 24.9" x 12.6"	50
				8"	996				
CLP48A12-XN	8/130	790	525	6"	569	15.0/7.5	69" x 12" x 51"	30.5" x 24.9" x 12.6"	50
				8"	996				
ONLY AVAILABLE IN 240VAC									
CLP61A6-XN	1/320	185	123	3"	144	1.6	85" x 6" x 76"	24.6" x 20.2" x 10.6"	100
				4"	251				
CLP62A6-XN	2/320	325	216	3"	144	3	85" x 6" x 76"	24.6" x 20.2" x 10.6"	100
				4"	251				
CLP63A6-XN	3/320	465	310	3"	144	4.5	85" x 6" x 76"	24.6" x 20.2" x 10.6"	100
				4"	251				
CLP63A8-XN	3/320	660	438	4"	251	4.5	85" x 6" x 76"	24.6" x 20.2" x 10.6"	100
				6"	569				
CLP64A8-XN	4/320	850	566	4"	251	6	85" x 6" x 76"	24.6" x 20.2" x 10.6"	100
				6"	569				
CLP65A8-XN	5/320	1020	678	6"	569	7.5	85" x 6" x 76"	30.5" x 24.1" x 12.6"	100
CLP66A10-XN	6/320	1470	979	6"	569	9	88" x 10" x 76"	30.5" x 24.1" x 12.6"	75
				8"	996				
CLP67A10-XN	7/320	1730	1158	6"	569	11	88" x 10" x 76"	30.5" x 24.1" x 12.6"	75
				8"	996				
CLP67A12-XN	7/320	2080	1385	8"	996	11	90" x 12" x 76"	30.5" x 24.1" x 12.6"	50
				10"	1567				
CLP68A12-XN	8/320	2350	1566	8"	996	13	90" x 12" x 76"	30.5" x 24.1" x 12.6"	50
				10"	1567				
CLP69A14-XN	9/320	2870	1912	12"	2218	14	92" x 14" x 76"	40.4" x 32.5" x 12.6"	50
CLP610A16-XN	10/320	3400	2267	12"	2218	16	94" x 16" x 76"	40.4" x 32.5" x 12.6"	50
				14"	2650				

¹ When ordering: Replace 'X' in part number with requested flange size; eg. '2' for two-inch flange.

² Vessel dimension "C" represents clearance requirement for glassware maintenance.

COMMERCIAL BIOSHIELD® UV DISINFECTION STERILIZER



BioShield UV Sterilizer Installation:

1. Position the BioShield UV Sterilizer after the pool filters so it receives solids-free water. This will assist in neutralizing bacteria and pathogens that cause Recreation Water Illnesses such in pool water, while protecting the quartz sleeves and lamps from potential damage.
2. The NSF-50 certified BioShield UV Sterilizer vessel is equipped with various sensor ports (UV intensity and Water Over-Temperature Protection Sensors). All sensor ports are clearly labeled on the vessel based on their respective function. Additionally, the vessel is equipped with a 1/2" threaded drain port for installation of the Drain Valve Assembly.
3. For horizontal or vertical piping installation, it is recommended to install a piping bypass manifold (as shown) which will allow for BioShield UV Sterilizer removal from the filter-loop without disrupting water flow or filter operation. Isolation Valves are necessary for vessel removal and chemical cleaning procedure.
4. Always install BioShield UV Sterilizer's with the outlet port facing upward, allowing trapped air to escape. Trapped air can result in rupture or heat damage to the vessel.
5. Provide enough space around the electrical end of the BioShield UV Sterilizer to allow for easy removal of the UV lamp and quartz sleeves. A 46" clearance for CLP4 models and 76" clearance for CLP6 models is required.
6. Do not install or operate any UV system without thoroughly reading the operators manual.

COMMERCIAL BIOSHIELD® CVP

UV DISINFECTION STERILIZER

Featured Highlights

System Features:

- Enhanced, electronic ballast, sized precisely to the lamp's power requirement, ensures optimal UV-C output and maximum "useful lamp life"
- Small footprint: vertical operation reduces required horizontal space
- Cost-effective Schedule 80 solvent welded PVC plastic vessels stand up to corrosive Chlorine environments.
- Single-End UV lamp and quartz sleeve access for easy servicing
- Watertight design protects all electrical hardware from water damage
- Low-pressure Amalgam UV lamps offer up to 12,000 hours of continuous operation
- Choice of inlet/outlet port styles
- Included Over-Temp System Shutdown Sensor shuts down the lamp field to avoid damage when water temperature inside the vessel exceeds 120° F
- 20-foot lamp cables



CALIFORNIA PROPOSITION 65 WARNING
 ⚠️ **WARNING:** Cancer and Reproductive Harm.
 ⚠️ **AVERTISSEMENT:** Peut Causer le Cancer et des Dommages au Système Reproducteur.
 ⚠️ **ADVERTENCIA:** Cáncer y Daño Reproductivo.
www.p65warnings.ca.gov PB20273A

When operating space is restricted, our vertical BioShield UV Systems provide the small footprint you need. These vertical models feature single-end, top-loading quartz sleeve(s) to minimize space required and maximize serviceability. Each model is extremely durable and features a corrosion-resistant remote power supply enclosure and UV vessel. All models are designed to deliver optimum UV performance by utilizing the UV lamp's UV-C output to its maximum potential. BioShield UV Systems are water-tight and designed for indoor/outdoor use. Each model is equipped with a flanged base for easy installation. Unit can also be installed horizontally.

Ordering Information

Model (120/240 VAC)	Lamps/Watts	Max Flow Rate (GPM) 40 mJ/cm ²	Max Flow Rate (GPM) 60 mJ/cm ²	Port Size	Max. Flow ²	Amps Max Load @ 120/240 VAC	UV Vessel Dimensions ¹ (A x B x C)	Power Enclosure Dimensions (H x W x D)	Max. PSI
522904/523171	1/130	62	42	2"	64	2.1/1.0	56" x 6" x 47"	24.6" x 20.2" x 10.6"	50
522918/523175	2/130	105	70	3"	144	3.9/2.0	56" x 6" x 47"	24.6" x 20.2" x 10.6"	50
522919/523178	3/130	152	101	3"	144	5.8/2.9	56" x 6" x 47"	24.6" x 20.2" x 10.6"	50
522932/523179				4"	251				
522920/523181	3/130	225	150	4"	251	5.8/2.9	62" x 8" x 51"	24.6" x 20.2" x 10.6"	50
522921/523184				4"	251				
522934/523185	4/130	295	196	6"	569	7.5/3.7	62" x 8" x 51"	24.6" x 20.2" x 10.6"	50
522922/523187				4"	251				
522935/523188	5/130	350	233	6"	569	9.4/4.7	62" x 8" x 51"	30.5" x 24.9" x 12.6"	50
522923/523190				6"	569				
522924/523193	7/130	585	390	6"	569	13.3/6.5	64" x 10" x 51"	30.5" x 24.9" x 12.6"	50
522937/523194				8"	996				
522912/523195	7/130	700	467	6"	569	13.3/6.5	69" x 12" x 51"	30.5" x 24.9" x 12.6"	50
522925/523196				8"	996				
522913/523197	8/130	790	525	6"	569	15.0/7.5	69" x 12" x 51"	30.5" x 24.9" x 12.6"	50
522926/523198				8"	996				

¹ Vessel dimension "C" represents clearance requirement for glassware maintenance

² When selecting a port size, be sure the system flow rate will never exceed "Max. Flow for Port Size"

BIOSHIELD® UV DISINFECTION STERILIZER

TRADEGRADE



BioShield UV Disinfection Sterilizer falls under the APSP 11 Standard for Commercial Swimming Pools as a Water Conditioning Device.



Featured Highlights

System Features:

- Housing Material: Heavy-Wall UV Resistant High-Density Polymer
- Housing Pressure (Max.): 50 psi / 3.4 bar
- Housing Inlet/Outlet Port Size: 2", 2.5", or 3" Union
- UV Lamp(s): Low-Pressure High-Output, T6-style
- Highest-quality, low-pressure high-output UV lamps offer 12,000 hours of continuous operation (80% efficient after 12,000 hours)

BioShield residential UV sterilizers feature Low Pressure High Output (LPHO) lamps that offer approximately twice the UV output of standard Low Pressure (LP) lamps with the same arc length. UV vessels are built of a UV-resistant, high density polymer with a removable end cap to provide easy internal access. Viewing ports allow visual indication of lamp status. Units are made with a 5-3/4" diameter housing and have inlet/outlet ports fittings to accommodate 2", 2.5", and 3" plumbing. Ballast comes with a 10' cable to lamp, 6' power cord and 10' cable to flow switch. Flow switch comes with 10' cable. 115V and 230V units are available. Models include an in-line, sealed water-tight power supply for wet applications.

Ordering Information

MODEL	INPUT WATTS	UV-C OUTPUT WATTS	UV VESSEL DIMENSIONS	VOLTAGE	AMPS MAX LOAD	30 MJ/CM ² GPM/LPM	40 MJ/CM ² GPM/LPM	60 MJ/CM ² GPM/LPM
HIGH-OUTPUT STERILIZERS								
522635	50	15	30" x 6"	115/230V	1.15/0.57	31/117	25/94	16/60
522636	80	27	45" x 6"	115/230V	1.15/0.57	56/211	45/170	30/113
522637	120	37	57" x 6"	115/230V	1.15/0.57	79/299	62/234	41/155
522638	150	57	71" X 6"	115/230V	1.85/0.85	128/448	100/378	64/242

PREVIOUS			CURRENT XF						
WATTS	SEAL KITS	BALLAST	SEAL KITS	BALLAST	FLOW SWITCH	4-PIN LAMP CONNECTOR	LAMP SPACER	LAMP	QUARTZ SLEEVE
HIGH-OUTPUT STERILIZER REPLACEMENT PARTS									
50	523031	523032	523383	523460	523458	523034	523423	523035	523039
80	523031	523032	523383	523460	523458	523034	523423	523036	523040
120	523031	523032	523383	523460	523458	523034	523423	523037	523041
150	523031	523033*	523383	523462	523458	523034	523423	523038	523042
150	523031	523053**			523458	523034	523423	523038	523042

* 115V Only
** 230V Only

CALIFORNIA PROPOSITION 65 WARNING
 ⚠️ WARNING: Cancer and Reproductive Harm.
 ⚠️ AVERTISSEMENT: Peut Causer le Cancer et des Dommages au Système Reproducteur.
 ⚠️ ADVERTENCIA: Cáncer y Daño Reproductivo.
www.p65warnings.ca.gov



COMMERCIAL INTELLICHLOR®

SALT CHLORINE GENERATOR

Featured Highlights

- Each single cell produces up to 2 lbs of chlorine per day
- Color LED status displays
- Performance data captured daily
- Automatic shut-off feature helps protect and prolong cell life
- Pre-mounted multi-power center configuration
- Must be used with an external ORP/pH Controller
- Self-cleaning
- Listed to UL 1563/CSA C22.2 No. 218-1
- Certified to NSF/ANSI 50



- Need 30 GPM per cell in manifold to trigger flow switch
- Power Centers are mounted on PVC boards and pre-wired for 220 VAC and ORP Controller



Possible Power Center and Manifold Configurations

IntelliChlor Salt Chlorine Generator uses common table salt to produce all the chlorine a pool needs, effectively, and automatically. Same sanitation performance as manual chlorine addition without the drawbacks.

Must use an external ORP Controller. We suggest Commercial IntelliChem Systems.



CALIFORNIA PROPOSITION 65 WARNING
 ⚠️ **WARNING:** Cancer and Reproductive Harm.
 ⚠️ **AVERTISSEMENT:** Peut Causer le Cancer et des Dommages au Système Reproducteur.
 ⚠️ **ADVERTENCIA:** Cáncer y Daño Reproductivo.
www.p65warnings.ca.gov PH 201714

Ordering Information

PART NUMBER	DESCRIPTION	NUMBER OF PRIMARY (P) AND SECONDARY (S) IC60 CELLS	NUMBER OF PRIMARY POWER CENTERS (520978)	NUMBER OF SECONDARY POWER CENTERS (520556)	CHLORINE PER 24 HRS (LBS.)	POOL VOLUME (GAL) ¹
520970	COMSYS-2	1P	1	0	2	10,000
520971	COMSYS-4	1P, 1S	1	1	4	20,000
520972	COMSYS-6	1P, 2S	1	2	6	30,000
520973	COMSYS-8	1P, 3S	1	3	8	40,000
520974	COMSYS-10	1P, 4S	1	4	10	50,000
520975	COMSYS-12	1P, 5S	1	5	12	60,000
520976	COMSYS-14	1P, 6S	1	6	14	70,000
520977	COMSYS-16	1P, 7S	1	7	16	80,000

¹ Commercial pools typically require 2 lbs. of chlorine production per every 10,000 gallons. Please consult your local codes for chlorine production requirements.

Note: COMSYS-System includes: Primary Cell, Secondary Cells, Primary Power Center, Secondary Power Centers, and the manifold.

* Call factory for sizing Commercial IntelliChlor systems for pools larger than 80,000 gallons.

Product	Description	Carton Qty.	Carton Wt. (Lbs.)
COMMERCIAL INTELLICHLOR SALT CHLORINE GENERATOR FOR UNITED STATES			
521151	IntelliChlor CIC60P Replacement Primary Commercial Cell	1	
521005	IntelliChlor CIC60S Replacement Secondary Commercial Cell	1	
520978	IntelliChlor IC60P Replacement Primary Power Center	1	
520556	IntelliChlor Replacement Secondary Power Center	1	
P104-1	IntelliChlor Surge Board with ORP (Commercial)	1	

For replacement parts please call Technical Service at 1-800-831-7133.

PENTAIR AUTOMATIC CHLORINE/BROMINE FEEDERS



Pentair Chlorine and Bromine Feeders

Years of customer use and satisfaction have proven Pentair feeders to be the performance leader in pool & spa chemical dispensers.

Featured Highlights

- 300 and 320 series feeders available in clear amber for easy tablet level monitoring
- Completely enclosed system – no special venting required
- No escaping gases
- 50 PSI maximum operating pressure

In-Line Feeders

- **320 Series.** For permanent installation in return line of new or existing pools or spas. Installs in return line on pressure side of pump downstream of all equipment. Standard with 2 in. slip PVC fittings and adapters for 1-1/2 in.

Off-Line Feeders

- **300 Series.** Retrofits into existing pools or spas. Operates on pressure side of pump. Uses 1/4 in. feeder hoses, control valve and fittings.

CALIFORNIA PROPOSITION 65 WARNING

⚠ **WARNING:** Cancer and Reproductive Harm.
 ⚠ **AVERTISSEMENT:** Peut Causer le Cancer et des Dommages au Système Reproducteur.
 ⚠ **ADVERTENCIA:** Cáncer y Daño Reproductivo.

www.p65warnings.ca.gov
PR300174

Ordering Information

Product	Model	Description	Carton Qty.	Carton Wt. (Lbs.)
IN-LINE FEEDERS				
R171096 ¹	320	Holds 11 large or 98 small Bromine or slow dissolving Trichlor tablets. Treats 6,500 to 27,000 gallons bottom feed and 18,000 to 70,000 gallons top feed.	1	30
R171218 ¹	320C	Holds 11 large or 98 small Bromine or slow dissolving Trichlor tablets. Treats 6,500 to 27,000 gallons in a bottom feed configuration and 18,000 to 70,000 gallons in a top feed configuration with see-through amber body.	1	30
OFF-LINE FEEDERS				
R171016 ¹	300	Holds 11 large or 98 small tablets. Treats 12,000 to 48,000 gallons.	1	26
R171022 ¹	300C	Holds 11 large or 98 small tablets. Treats 12,000 to 48,000 gallons with see-through amber body.	1	26
R171026	302	Spa feeder. Includes spa chamber. Treats 500 to 2,000 gallons. Holds 15 small tablets.	1	28
R171056 ¹	300-19	Spa feeder includes double-capacity 19 in. chamber. Treats 13,000 to 52,000 gallons.	1	5
R171066 ¹	300-29	Spa feeder includes triple-capacity 29 in. chamber. Treats 14,000 to 57,000 gallons.	1	6
COMMERCIAL AND HIGH CAPACITY FEEDERS				
R171070 ¹	300-29X	Heavy duty 1/2 in. control valve and tubing optimizes flow and erosion to provide larger amounts of sanitizer. Dispenses 8.5 lbs. of 1 in. Trichlor Tablets in 24 hours. Holds 29 large or 237 small tablets. Treats 80,000 to 322,000 gallons.	1	8
R171215 ¹	HC-3315	High capacity for 1 in. hard plumbing installations. Holds 15 lbs. of tablets. Treats up to 20,200 gallons with Bromine and up to 97,600 gallons with Trichlor.	1	9
R171230 ¹	HC-3330	High capacity for 1 in. hard plumbing installations. Holds 30 lbs. of tablets. Treats up to 40,000 gallons with Bromine and up to 160,000 gallons with Trichlor.	1	12
R171240 ¹	HC-3340	High capacity for 1 in. hard plumbing installations. Holds 40 lbs. of tablets. Treats up to 61,000 gallons with Bromine and up to 332,000 gallons with Trichlor.	1	14

Note: Pentair Automatic Chlorine/Bromine feeders are for use with slow dissolving trichlor or bromine tablets only.

PENTAIR AUTOMATIC CHLORINE/BROMINE SIZING CHART

Model	Chamber Capacity				Maximum Erosion in 24 Hours ¹	Treats Pool/Spa Size			H	W	D	Service Clearance for Lid Removal
	1 in. Tablet		3 in. Tablet			@ 10 ppm	@ 5 ppm	@ 2-1/2 ppm				
	Qty.	Wt.	Qty.	Wt.								
AUTOMATIC CHLORINE/BROMINE SIZING CHART												
#300 ¹	98	3.5 lbs.	11	4.8 lbs.	1.19 lbs.	11,900	23,800	47,600	21 in.	7 in.	12 in.	22-1/4 in.
#302 with spa chamber ¹	15	0.5 lbs.	—	—	0.5 lbs.	500	1,000	2,000	21 in.	7 in.	12 in.	22-1/4 in.
#300-19 ¹	153	5.5 lbs.	20	8.8 lbs.	1.30 lbs.	13,000	26,000	52,000	28-1/2 in.	7 in.	12 in.	29-3/4 in.
#300-29 ¹	237	9.8 lbs.	29	12.7 lbs.	1.41 lbs.	14,100	28,200	56,400	38-1/2 in.	7 in.	12 in.	39-3/4 in.
#300-29X ¹ commercial model	237	9.8 lbs.	29	12.7 lbs.	8.05 lbs.	80,500	161,000	322,000	38-1/2 in.	7 in.	12 in.	39-3/4 in.
#320 bottom feed ¹	98	3.5 lbs.	11	4.8 lbs.	0.67 lbs.	6,700	13,400	26,800	17-3/4 in.	5 in.	10 in.	19 in.
#320 top feed ¹	98	3.5 lbs.	11	4.8 lbs.	1.75 lbs.	17,500	35,000	70,000	17-3/4 in.	5 in.	10 in.	19 in.

WITH 10 in. FEEDER EXTENSION ON #300 – REFER TO #300-19, max. height 11 in.6 PPM-COMMERCIAL POOLS & SPAS

WITH 20 in. FEEDER EXTENSION ON #300 – REFER TO #300-29, max. height 21 in.3 PPM-RESIDENTIAL POOL & SPAS

¹ Based on use of 1 in. Trichlor in 24 hours. Use of 3 in. tablets or sticks or bromine tablets will lower results. For 8 hour turnover divide by 3.

Note: This chart is only a suggested guide. Consult your local authority to determine their guidelines if needed. Results may vary due to pool/spa equipment and many other factors.

CALIFORNIA PROPOSITION 65 WARNING

⚠ **WARNING:** Cancer and Reproductive Harm.
⚠ **AVERTISSEMENT:** Peut Causer le Cancer et des Dommages au Système Reproducteur.
⚠ **ADVERTENCIA:** Cáncer y Daño Reproductivo.

www.p65warnings.ca.gov
P/N20174A

PENTAIR HIGH CAPACITY CHLORINE/BROMINE SIZING CHART

Model	Capacity	Maximum Erosion In 24 Hours		Treats Pool/Spa Size In Gallons Per 24 Hours		H	W	D	Service Clearance
		Chlorine	Bromine	Chlorine (10 ppm)	Bromine (10 ppm)				
		HIGH CAPACITY CHLORINE/BROMINE SIZING CHART							
HC3315	15 lbs.	29.28 lbs.	13.68 lbs.	97,600	20,200	21-1/2 in.	8 in.	15 in.	22 3/4 in.
HC3330	30 lbs.	48.00 lbs.	27.60 lbs.	160,000	40,900	39-1/8 in.	8 in.	15 in.	40-3/8 in.
HC3340	40 lbs.	99.60 lbs.	41.52 lbs.	332,000	61,500	49 3/4 in.	8 in.	15 in.	51 in.

CALIFORNIA PROPOSITION 65 WARNING

⚠ **WARNING:** Cancer and Reproductive Harm.
⚠ **AVERTISSEMENT:** Peut Causer le Cancer et des Dommages au Système Reproducteur.
⚠ **ADVERTENCIA:** Cáncer y Daño Reproductivo.

www.p65warnings.ca.gov
P/N20174A



VALVES



DIVERTER AND CHECK VALVES – 1-1/2 IN. AND 2 IN.

2-WAY, 3-WAY AND CHECK

263027



263026



263042



Featured Highlights

- All valves available in CPVC or PVC
- Maintenance-free PTFE coated diverter seal
- Optimum positive-seal
- High Flow Rate
- Fiberglass reinforced handle
- Withstands pressure up to 150 psi
- Chemical-resistant
- Used for diverting, shut-off or mixing applications
- Accepts 1-1/2 in., 2 in., and 2-1/2 in. PVC plumbing
- Field-adjustable stop positions
- Plumbed with inlet at any port
- Designed to work with most industry standard actuators

CALIFORNIA PROPOSITION 65 WARNING

⚠ **WARNING:** Cancer and Reproductive Harm.
 ⚠ **AVERTISSEMENT:** Peut Causer le Cancer et des Dommages au Système Reproducteur.
 ⚠ **ADVERTENCIA:** Cáncer y Daño Reproductivo.
www.p65warnings.ca.gov

Ordering Information

Product	Description	Carton Qty.	Carton Wt. (Lbs.)
2-WAY AND 3-WAY DIVERTER VALVES			
263026	3-Way CPVC 2 in. (2-1/2 in. slip outside)	1	2
263027	2-Way CPVC 2 in. (2-1/2 in. slip outside)	1	2
263028	3-Way PVC 2 in. (2-1/2 in. slip outside)	1	2
263029	2-Way PVC 2 in. (2-1/2 in. slip outside)	1	2
263035	3-Way CPVC 1-1/2 in. (2 in. slip outside)	1	2
263036	2-Way CPVC 1-1/2 in. (2 in. slip outside)	1	2
263037	3-Way PVC 1-1/2 in. (2 in. slip outside)	1	2
263038	2-Way PVC 1-1/2 in. (2 in. slip outside)	1	2
263047	3-Way Solar Valve w/ drain-down, CPVC 2 in. (2-1/2 in. slip outside)	1	2
CHECK VALVES			
263042	Check Valve CPVC 2 in. (straight 2-1/2 in. slip outside)	1	2
263042Z	Check Valve Rebuild Kit		



263027



263029



263026



263028

PVC Valves not recommended for climates that can reach air temperatures of over 104°F.

FULLFLOXF[®] DIVERTER & CHECK VALVES 2-1/2 IN. & 3 IN.

2-WAY, 3-WAY AND CHECK

Featured Highlights

- Valves available in CPVC for maximum heat resistance
- Maintenance-free PTFE coated diverter seal
- Optimum positive-seal
- Maximum Flow Rate, low head loss
- Chemical-resistant
- Used for diverting, shut-off or mixing applications
- Accepts 2-1/2 in. and 3 in. PVC plumbing
- Field-adjustable stop positions
- Plumbed with inlet at any port
- Designed to work with most industry standard actuators

CALIFORNIA PROPOSITION 65 WARNING

⚠️ **WARNING:** Cancer and Reproductive Harm.
 ⚠️ **AVERTISSEMENT:** Peut Causer le Cancer et des Dommages au Système Reproducteur.
 ⚠️ **ADVERTENCIA:** Cáncer y Daño Reproductivo.
www.p65warnings.ca.gov



263059



263060



263056/263057



263068



263077

Ordering Information

Product	Description	Carton Qty	Carton Wt (Lbs)
2-WAY AND 3-WAY DIVERTER VALVES			
263056	3-Way CPVC 2.5 in. (3 in. slip outside)	1	4
263057	3-Way Solar Valve w/ drain-down, CPVC 2.5 in. (3 in. slip outside)	1	4
263059	2-Way CPVC 2.5 in. (3 in. slip outside)	1	4
263068	90 degree 2-way CPVC 2.5 in. (3 in. slip outside)	1	4
2-WAY AND 90 DEGREE CHECK VALVES			
263060	Check Valve CPVC 2.5 in. (3 in. slip outside)	1	4
263077	90 degree Check Valve CPVC 2.5 in. (3 in. slip outside)	1	3
270119Z	Check Valve Rebuild Kit		

PRE-PLUMBED VALVES

BACKWASH VALVES FOR 1-1/2 & 2 IN. D.E. AND SAND FILTERS

Side mounted HiFlow™ and Multiport Valves are designed for maximum performance and working pressures. Available in 1-1/2 and 2 in. threaded or slip models.

CALIFORNIA PROPOSITION 65 WARNING
 ⚠️ **WARNING:** Cancer and Reproductive Harm.
 ⚠️ **AVERTISSEMENT:** Peut Causer le Cancer et des Dommages au Système Reproducteur.
 ⚠️ **ADVERTENCIA:** Cáncer y Daño Reproductivo.
www.p65warnings.ca.gov PB 201514

Featured Highlights

- PVC body
- The right valve for easy operation
- Six-position, positive-lock operation
- Special winterizing position

Ordering Information

Product	Description	Carton Qty.	Carton Wt. (Lbs.)
MULTIPOINT VALVE KIT FOR FILTERS, SLIP			
261055	2 in. MPV, for Triton & Quad D.E. filters [SM 20-3] 7-1/2 in. Centerline	1	10
261152	2 in. MPV, for FNS, FNS Plus & NSP filters [SM 20-2] 7-1/2 in. Centerline	1	10
261173	1-1/2 in. MPV, for Triton & Quad D.E. filters [SM 10-3] 7-1/2 in. Centerline	1	6
261177	1-1/2 in. MPV, for FNS, FNS Plus & NSP filters [SM 10-2] 7-1/2 in. Centerline	1	7
HIFLOW VALVE KIT FOR FILTERS, SLIP			
261050	2 in., w/ bulkhead fittings, for Triton & Quad D.E. filters, 7-1/2 in. Centerline	1	11
261142	2 in., w/ bulkhead fittings, for FNS, FNS Plus & NSP filters, 7-1/2 in. Centerline	1	11
PVC SLIDE VALVE, SLIP			
263064	Push Pull Valve, 7-1/2 in. Center, PVC, Almond	1	4.5
263079	2 in. w/o bulkhead fittings for D.E. and sand filters, 7-1/2 in. Centerline	1	3
FULLFLOXF BACKWASH VALVES			
262507	Sta-Rite version for System 3 Mod D.E., inlet on top, with Sta-Rite offset adapters glued on	1	11
262508	Sta-Rite version for System 3 D.E. and Sand, inlet on bottom, with Sta-Rite offset adapters glued on	1	10
262509	Valve with filter inlet port on top, no fittings, only valve	1	10
262511	Valve with filter inlet port on bottom, no fittings, only valve	1	10
263080	Valve for Sand and Quad D.E., inlet port on top, Pentair 2 in. unions glued on	1	12
263081	Valve for D.E., inlet port on bottom, Pentair 2 in. unions glued on	1	12



HiFlow Valve Kit
261050



PVC Slide Valve
Kit
263064



Multiport Valve Kit
261055



FullFloXF®
Backwash
Valve Kit
263080

SLIDE VALVES

ABS SLIDE VALVES/MULTIPOINT VALVES (SIDE MOUNT)



Featured Highlights

- Six-position dial-type valves offer convenience, ease of use and efficient operation
- Includes connecting pipe to match side ports in sand and D.E. filters
- 2 in. PVC unions for filter-to-valve connection
- Positive seal prevents leakage between ports



18201-0110

Featured Highlights

- Two-position backwash valves have minimal flow restriction
- Innovative handle design allows easier operation; pin locks valve in filter position
- Connects directly to side ports in D.E. or sand filters with 2 in. PVC unions



263053

Ordering Information

Product	Description	Valve Port Size	Carton Wt. (Lbs.)
SLIDE VALVES - UNION CONNECTION DESIGN			
263053	Push Pull Valve, 7.81 in. Center	2 in.	4
SLIDE VALVES - HOSE CONNECTION DESIGN ¹			
263078	Slide Valves, 2 position, Plastic	2 in.	5
MULTIPOINT VALVES - UNION CONNECTION DESIGN			
18201-0300	ABS 6-Position Valve (for System 3 Mod DE)	2 in.	8
18202-0250	ABS 6-Position Valves with piping	1-1/2 in.	6
18202-0150	ABS 6-Position Valves with 1-1/2 in. piping	1-1/2 in.	6
18201-0200	ABS 6-Position Valves with piping	2 in.	10
MULTIPOINT VALVES - UNION CONNECTION DESIGN ¹			
18202-0150H	ABS 6-Position Valves (hoses not included)	1-1/2 in.	6
18201-0200H	ABS 6-Position Valves (hoses not included)	2 in.	9
ACCESSORIES - HOSE CONNECTOR KITS - VALVE TO FILTER			
24750-0624	1-1/2 in. x 2 in. Connector		1

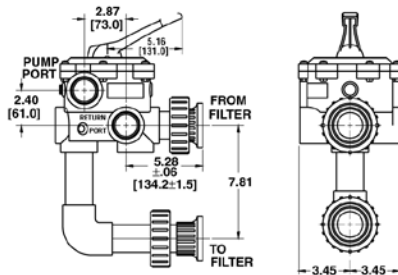
¹ Replacement Valves for Old Design Filters.

CALIFORNIA PROPOSITION 65 WARNING
 ⚠️ **WARNING:** Cancer and Reproductive Harm.
 ⚠️ **AVERTISSEMENT:** Peut Causer le Cancer et des Dommages au Système Reproducteur.
 ⚠️ **ADVERTENCIA:** Cáncer y Daño Reproductivo.
www.p65warnings.ca.gov PK32075A

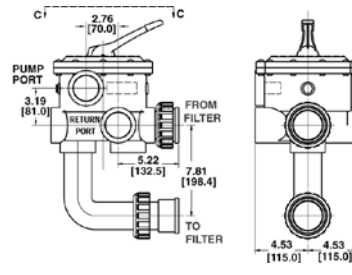
Dimensions and Performance



Certified to NSF/ANSI Standard 50



1-1/2 in. Multiport Valve
18201-0110



2 in. Multiport Valve
18201-0300

HIFLOW™ VALVE

BACKWASH VALVE FOR SIDE MOUNTED SAND & D.E. FILTERS



HiFlow Valve 261049

The side mounted HiFlow valve is designed for maximum performance and working pressures. Available in 2 in. slip models.



Certified to
NSF/ANSI Standard 50

Featured Highlights

- PVC body
- Large, one-piece handle for trouble-free operation
- Six-position, positive-lock operation
- Noryl heavy-duty diverter
- 2 in. ports for unrestricted flow
- Specific Valves for D.E. and sand applications
- Special winterizing position

CALIFORNIA PROPOSITION 65 WARNING

⚠️ **WARNING:** Cancer and Reproductive Harm.
 ⚠️ **AVERTISSEMENT:** Peut Causer le Cancer et des Dommages au Système Reproducteur.
 ⚠️ **ADVERTENCIA:** Cáncer y Daño Reproductivo.
www.p65warnings.ca.gov

Ordering Information

Product	Description	Carton Qty.	Carton Wt. (Lbs.)
HIFLOW VALVE			
261049	2 in. HiFlow Valve, no plumbing	1	10

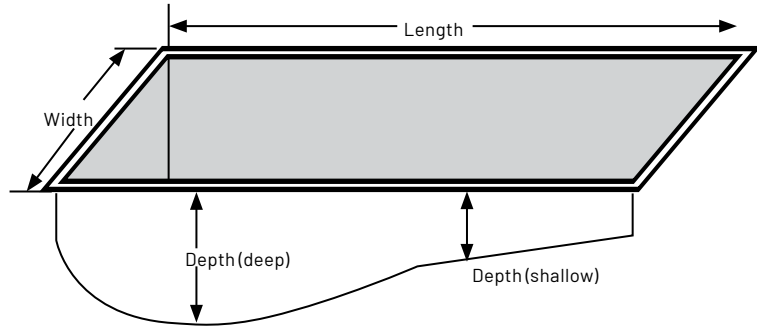
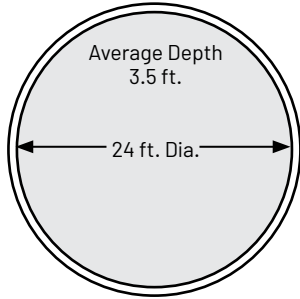




ENGINEERING DATA

ENGINEERING DATA

ESTIMATING TOTAL GALLONS IN A POOL OR SPA



Radius² x 3.14 x A.D. x 7.5 = Gallons

12 x 12 x 3.14 x 3.5 x 7.5 = 11,869 Gals.

Dia. x Dia. x Av Dp x 5.9 = Gallons

24 x 24 x 3.5 x 5.9 = 11,894 Gals.

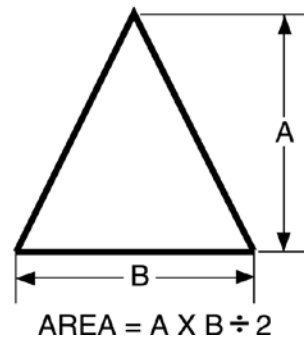
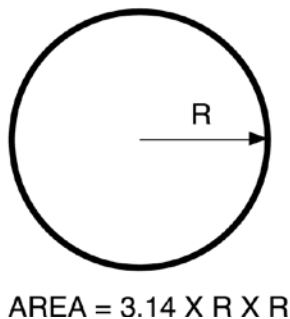
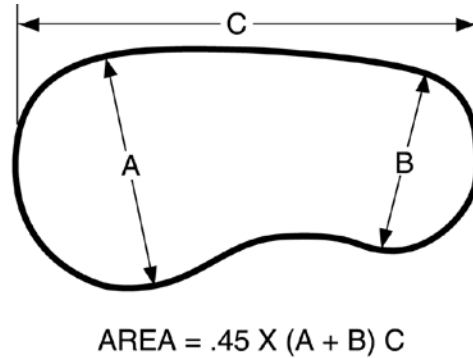
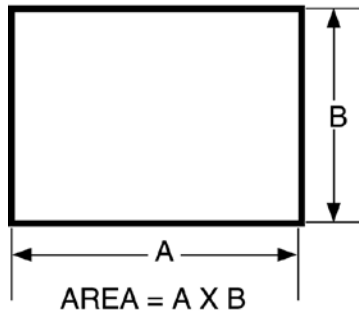
Gal.cu.ft.	
Rectangle:	7.5
Oval:	6.7
Kidney:	7.0

Formula A: Length X Width X Average Depth X Gal.cu.ft. = Gallons

Example: Pool Length = 40 ft.
 Pool Width = 20 ft.
 Shallow Depth = 3 ft.
 Deep Depth = +8 ft.

Total Depth = 11 ft.

Using formula A: 40 X 20 = 800 sq. ft., 800 X 5.5 = 4,400 cubic ft.,
 4,400 X 7.5 = 33,000 gallons



ENGINEERING DATA

UNITS OF MEASURE

UNITS OF PRESSURE

UNIT	INCHES OF WATER	FEET OF WATER	POUNDS PER SQUARE INCH	INCHES OF MERCURY
INCHES OF WATER	1.0	.0833	.0361	.0736
FEET OF WATER	12.0	1.0	.433	.883
POUNDS PER SQUARE INCH	27.72	2.31	1.0	2.04
INCHES OF MERCURY	13.596	1.133	.4906	1.0

CURRENT CAPACITY (AMPS) OF WIRE*

Three wires in cable, ambient temp. 86°F

WIRE SIZE	AMPERES	
	COPPER	ALUMINIUM
14	20	-
12	25	20
10	30	25
8	40	30
6	55	40
4	70	55
3	85	65
2	95	75
1	110	85
0	125	100

* Wire size is minimum for amperes listed.

EFFICIENCY	
EFFICIENCY	$\frac{\text{POWER OUTPUT}}{\text{POWER INPUT}}$
MOTOR EFFICIENCY	$\frac{\text{HP OUTPUT}}{\text{K.W. INPUT}}$
PUMP EFFICIENCY	$\frac{\text{G.P.M.} \times \text{TOTAL HEAD (F.T.)}}{3960 \times \text{BHP}}$
OVERALL PLANT EFFICIENCY (OPE)	$\frac{\text{G.P.M.} \times \text{TOTAL HEAD (F.T.)}}{5310 \times \text{K.W. INPUT}}$

Amperage =	$\frac{\text{Watts}}{\text{Volts}}$
Watts =	Volts x Amperage
WHP =	Water Horsepower (output HP of pump) = $\frac{\text{g.p.m.} \times \text{total head}}{3960}$
HP input (to motor) =	KW input x 1.341
Total Head =	Discharge head + Pumping water level (ft)
Discharge Head =	Discharge Pressure (PSI) x 2.31 ft. of head

ENGINEERING DATA

HEATER SIZING INFORMATION

ETI 400 ASME HIGH EFFICIENCY HEATER MODEL
REQUIRED TIME TO TEMPERATURE RISE

°F Temperature Rise	Pool Volume (Gallons)									
	10,000	20,000	30,000	40,000	50,000	60,000	70,000	80,000	90,000	100,000
	Hours to Reach Temperature									
5	1.08	2.17	3.26	4.34	5.43	6.52	7.60	8.69	9.77	10.86
10	2.17	4.34	6.52	8.69	10.86	13.03	15.20	17.38	19.55	21.72
15	3.25	6.52	9.77	13.03	16.29	19.55	22.80	26.06	29.32	35.58
20	4.35	8.69	13.03	17.38	21.72	26.06	30.41	34.75	39.09	43.44
25	5.43	10.86	16.29	21.72	27.15	32.58	38.01	43.44	48.87	54.30
30	6.52	13.03	19.55	26.06	32.58	39.09	45.61	52.13	58.64	65.16
35	7.60	15.20	22.80	30.41	38.01	45.61	53.21	60.81	68.41	76.02
40	8.68	17.38	26.06	34.75	43.44	52.13	60.81	69.50	78.19	86.88
50	9.77	19.55	29.32	39.09	48.87	58.64	68.41	78.19	87.96	97.73
	10.87	21.72	32.58	43.44	54.30	65.16	76.02	86.88	97.73	108.59

ETI HEATER - POOL SIZING

TEMPERATURE RISE IN 24 HOURS (°F)	POOL GALLON CAPACITY
5	221,000
10	110,500
15	73,700
20	55,300
25	44,250
30	36,800

ETI HEATER - SPA SIZING

MINUTES TO RISE 30 DEGREES (°F)	SPA GALLONS
16	400
20	500
23	600
27	700
31	800
35	900
39	1,000

Note: The chart is based on a 30°F (16.6°C) temperature rise, discounting losses and only based on heat required to raise temperature in minutes.

For more specification information and sizing assistance, contact your local Pentair Sales Representative or www.pentair.com

ENGINEERING DATA

ACU DRIVE™ XS STARTUP INFORMATION

Acu Drive Startup Request Information Sheet

Please complete the following information and return to Pentair Aquatic Systems (phone - 845-463-7200, ext. 2 / fax - 845-463-7291 / email - paragoncustserv@pentair.com) in order to schedule the startup service for your new Acu Drive. A startup service partner will contact the job site contact person listed below to schedule the

**** Before Requesting a Start-Up be Performed, Please Ensure the Following has been Completed ****

- All VFDs requiring start-up have been properly mounted per installation guide
- The power wiring has been properly connected to each VFD
- Any control wiring (i.e. flowmeter, level control, alarms) have been properly connected
- If needed, be prepared to explain any special programming requirements with startup representative

**** Appointments are based on availability. Allot up to 10 working days to schedule a startup appointment.

Startup Job Site Information:

_____/_____/_____
Requested Startup Date (NUMBERS ONLY)

Facility Name

Street

City

State/Province

Zip Code

Number of units to startup

Site Contact Name

PM NUMBER DISTRIBUTOR

PO NUMBER DATE

Contact Phone Number

INITIAL

ACU DRIVE SERIAL #(S): REQUIRED

By signing below, please confirm that your equipment will be ready for startup by the requested startup date listed below:

"I confirm that the equipment for startup will be ready for startup at a time and date agreed to by the contact person listed above and startup service partner. All control and power wiring necessary to perform startup will be completed by the agreed date. All processes will be ready and available by the agreed date. All equipment is installed per Danfoss installation instructions and all local codes. I will coordinate all personnel and contractors that I want present at startup. I agree to notify the startup service partner 24 hours prior to the agreed startup time and date of any changes to the schedule. I accept any additional charges not covered by the service agreement for the startup contract."

Print Name: _____

Phone: _____

Signature: _____

Date: _____

ENGINEERING DATA, FRICTION FLOW

FRICTION/FLOW CHART FOR SCHEDULE 40 RIGID PVC PIPE*

U.S. Gal. per min.	3/4 in. pipe		1 in. pipe		1-1/4 in. pipe		1-1/2 in. pipe		2 in. pipe		2-1/2 in. pipe		3 in. pipe		4 in. pipe		5 in. pipe		6 in. pipe		U.S. Gal. per min.	
	Velocity feet per second	Loss in feet	Velocity feet per second	Loss in feet	Velocity feet per second	Loss in feet	Velocity feet per second	Loss in feet	Velocity feet per second	Loss in feet	Velocity feet per second	Loss in feet	Velocity feet per second	Loss in feet	Velocity feet per second	Loss in feet	Velocity feet per second	Loss in feet	Velocity feet per second	Loss in feet		
1	.71	.40	.40	.10	0.26	0.03															1	
2	1.43	1.44	.80	.35	.51	.12	.36	.05														2
3	2.14	3.05	1.20	.75	.77	.25	.53	.10														3
4	2.85	5.19	1.60	1.28	1.03	.43	.71	.18														4
5	3.56	7.85	2.00	1.94	1.28	.65	.89	.27	.50	.07	.32	.02	.22	.01								5
6	4.28	11.01	2.41	2.71	1.54	.92	1.07	.38	.60	.09	.38	.03	.27	.01								6
8	5.70	18.75	3.21	4.82	2.05	1.56	1.43	.64	.80	.16	.51	.05	.36	.02								8
10	7.13	28.34	4.01	6.99	2.57	2.36	1.78	.97	1.00	.24	.64	.08	.45	.03								10
15	10.89	60.06	6.01	14.81	3.85	5.00	2.67	2.06	1.50	.51	.96	.17	.67	.07								15
20			8.02	25.24	5.13	6.52	3.56	3.51	2.00	.87	1.28	.29	.89	.12	.50	.03						20
25			10.02	38.16	6.41	12.88	4.45	5.31	2.51	1.31	1.60	.44	1.11	.18	.63	.04						25
30			12.03	53.48	7.70	18.06	5.34	7.44	3.01	1.83	1.92	.82	1.34	.26	.75	.06	.48	.02				30
35					8.98	24.03	6.24	9.89	3.51	2.44	2.24	.82	1.56	.34	.88	.08	.56	.03				35
40					10.26	30.77	7.13	12.67	4.01	3.13	2.57	1.06	1.78	.43	1.00	.11	.64	.04				40
45					11.54	38.27	8.02	15.76	4.51	3.89	2.89	1.31	2.00	.54	1.13	.13	.72	.05				45
50					12.83	46.51	8.91	19.16	5.01	4.72	3.21	1.60	2.23	.66	1.25	.16	.80	.05	.56	.02		50
60							10.69	26.85	6.01	6.62	3.85	2.24	2.67	.92	1.50	.23	.96	.08	.67	.03		60
70									7.01	8.81	4.49	2.98	3.12	1.23	1.75	.30	1.12	.10	.78	.04		70
80									8.02	11.28	5.13	3.81	3.56	1.57	2.00	.39	1.28	.13	.89	.05		80
90									9.02	14.03	5.77	4.74	4.01	1.95	2.25	.48	1.44	.16	1.00	.07		90
100									10.02	17.06	6.41	5.76	4.45	2.37	2.51	.59	1.60	.20	1.11	0.08		100
125											8.02	8.71	5.57	3.59	3.13	.88	2.00	.30	1.39	.12		125
150											9.62	12.20	6.68	5.03	3.76	1.24	2.41	.42	1.67	.17		150
175													7.79	6.69	4.38	1.65	2.81	.56	1.95	.23		175
200													8.91	8.56	5.01	2.11	3.21	.71	2.23	.29		200
225													10.02	10.65	5.64	2.63	3.81	.89	2.51	.37		225
250													11.13	12.95	6.26	3.19	4.01	1.08	2.78	.44		250
275															6.89	3.81	4.41	1.29	3.06	.53		275
300															7.52	4.48	4.81	1.51	3.34	.62		300
325															8.14	5.19	5.21	1.75	3.62	.72		325
350																8.77	5.95	5.61	2.01	3.90	.83	350
375																9.39	6.77	6.01	2.28	4.18	.94	375
400																10.02	7.63	6.41	2.57	4.45	1.06	400
425																		6.81	2.88	4.73	1.19	425
450																		7.22	3.20	5.01	1.32	450
475																		7.62	3.54	5.29	1.46	475
500																		8.02	3.89	5.57	1.60	500
550																		8.82	4.64	6.12	1.91	550
600																		9.62	5.46	6.68	2.25	600
650																				7.24	2.61	650
700																				7.79	2.99	700
750																				8.35	3.40	750
1000																				11.13	5.79	1000

* Friction loss of water in feet per 100 feet length of pipe. Based on Williams & Hazen formula using constant 150.

* Recommended operating flow velocities indicated by boxed areas.

ENGINEERING DATA

FRICITION LOSS CHARTS

Hydraulic Charts and Tables

Friction/Flow Chart For Schedule 40 Rigid PVC Pipe

Friction Loss of Water in Feet per 100 Feet Length of Pipe

Based on Williams & Hazen Formula Using Constant 150. Sizes of Standard Pipe in Inches.

U.S. Gals. per Min.	3/4" Pipe		1" Pipe		1 1/4" Pipe		1 1/2" Pipe		2" Pipe		2 1/2" Pipe		3" Pipe		4" Pipe		6" Pipe		U.S. Gals. per Min.
	Vel. Ft. per Sec.	Loss in Feet	Vel. Ft. per Sec.	Loss in Feet	Vel. Ft. per Sec.	Loss in Feet	Vel. Ft. per Sec.	Loss in Feet	Vel. Ft. per Sec.	Loss in Feet	Vel. Ft. per Sec.	Loss in Feet	Vel. Ft. per Sec.	Loss in Feet	Vel. Ft. per Sec.	Loss in Feet	Vel. Ft. per Sec.	Loss in Feet	
1	.60	.25	.37	.07	1
2	1.20	.90	.74	.28	.43	.07	2
3	1.80	1.92	1.11	.60	.64	.16	.47	.07	3
4	2.41	3.28	1.48	1.02	.86	.25	.63	.12	4
5	3.01	5.8	1.86	1.52	1.07	.39	.79	.18	5
6	3.61	7.0	2.33	2.15	1.29	.55	.95	.25	.57	.07	6
8	4.81	11.8	2.97	3.6	1.72	.97	1.25	.46	.76	.14	.54	.05	8
10	6.02	17.9	3.71	5.5	2.15	1.46	1.58	.69	.96	.21	.67	.09	10
15	9.02	37.8	5.57	11.7	3.22	3.07	2.36	1.45	1.43	.44	1.01	.18	.65	.07	15
20	7.42	19.9	4.29	4.2	3.15	2.47	1.91	.74	1.34	.30	.87	.12	20
25	9.28	30.0	5.36	7.9	3.94	3.8	2.39	1.11	1.67	.46	1.08	.16	25
30	11.14	42.0	6.43	11.1	4.73	5.2	2.87	1.55	2.01	.65	1.30	.23	30
35	U.S. GAL. PER MIN.	7.51	14.7	5.52	7.0	3.35	2.06	2.35	.88	1.52	.30	.88	.07	35
40	8" PIPE		8.58	18.9	6.30	8.9	3.82	2.63	2.64	1.11	1.73	.39	1.01	.09	40
45	9.65	23.5	9.65	23.5	7.09	11.1	4.30	3.28	3.01	1.39	1.95	.48	1.13	.12	45
50	700	4.37	.66	10.72	28.5	7.88	13.5	4.78	4.0	3.35	1.69	2.17	.58	1.26	.16	50
60	750	4.70	.75	9.46	18.9	5.74	5.6	4.02	2.36	2.60	.81	1.51	.21	60
70	800	4.99	.82	11.03	25.1	6.69	7.4	4.69	3.14	3.04	1.09	1.76	.28	70
80	850	5.37	.95	7.65	9.5	5.35	4.0	3.47	1.39	2.02	.37	80
90	900	5.64	1.06	8.60	11.8	6.03	5.0	3.91	1.73	2.27	.46	90
100	950	5.94	1.23	9.56	14.4	6.70	6.1	4.34	2.10	2.52	.55	1.11	.07	100
125	1000	6.25	1.28	U.S. GAL. PER MIN.	11.95	21.8	8.38	9.2	5.42	3.19	3.15	.85	1.39	.12	125
150	1050	6.57	1.40	10.05	12.8	6.51	4.5	3.78	1.18	1.67	.16	150
175	1100	6.89	1.51	7.59	5.9	4.41	1.57	1.94	.21	175
200	1150	7.20	1.65	8.68	7.9	5.04	2.08	2.22	.28	200
225	1200	7.51	1.79	1500	5.99	.92	9.76	9.4	5.67	2.52	2.50	.35	225
250	1250	7.82	1.94	1600	6.40	1.03	10.85	11.5	6.30	3.05	2.78	.42	250
275	1300	8.13	2.09	1700	6.80	1.15	6.93	3.6	3.05	.48	275
300	1350	8.45	2.23	1800	7.20	1.27	7.56	4.3	3.33	.58	300
325	1400	8.77	2.37	1900	7.60	1.41	8.19	5.0	3.61	.67	325
350	1450	9.08	2.53	2000	7.99	1.54	8.82	5.7	3.89	.79	350
375	1500	9.39	2.68	2100	8.39	1.68	9.45	6.5	4.17	.88	375
400	1550	9.70	2.85	2200	8.80	1.82	10.08	7.3	4.44	.99	400
425	1600	10.00	3.01	2300	9.20	1.99	4.72	1.11	425
450	1650	10.32	3.21	2400	9.60	2.17	5.00	1.22	450
475	1700	10.64	3.40	2500	10.00	2.34	5.28	1.36	475
500	1750	10.96	3.59	2600	10.40	2.50	5.55	1.50	500
550	1800	11.27	3.78	2700	10.79	2.69	6.11	1.80	550
600	1850	11.58	3.98	2800	11.18	2.88	6.67	2.10	600
650	1900	11.89	4.19	2900	11.59	3.08	7.22	2.44	650
700	1950	12.21	4.40	3000	11.99	3.28	7.78	2.79	700
750	2000	12.52	4.61	3100	12.39	3.32	8.33	3.19	750
800	3200	12.79	3.35	8.89	3.6	800

Normal safe operating selection; Suction piping; Discharge or pressure piping.
Note: Where long pipe runs are encountered, make selection in minimum head loss range.

P.V.C. Pipe Specifications

PVC Pipe Size	Nominal Diameter (Inches)	Nominal Square Inch	Cubic Feet Water	Gallons Water/ Foot
0.5	0.622	0.303858694	0.00211013	0.01578
0.75	0.824	0.53326775	0.003703248	0.02770
1	1.049	0.864254945	0.00600177	0.04489
1.25	1.38	1.49571576	0.010386915	0.07769
1.5	1.61	2.03583534	0.014137745	0.10575
2	2.067	3.355612861	0.023302867	0.17431
2.5	2.469	4.787767769	0.033248387	0.24870
3	3.068	7.39267489	0.05133802	0.38401
4	4.026	12.73029413	0.08840482	0.66127
6	6.065	28.89033032	0.200627294	1.50069
8	7.961	49.77670499	0.345671562	2.58562
10	10.02	78.85447416	0.547600515	4.09605
12	11.938	111.9319439	0.777305166	5.81424

ENGINEERING DATA

2 AND 3 SYSTEM MANIFOLDS

3 SYSTEM MANIFOLDS

SUCTION MANIFOLD

RETURN MANIFOLD

TECHNICAL DATA

Gallons	Gallons Per Min.	Turn Over Rate.-Hrs.	Pump H.P.(3)	Filter Sq.Ft.	Filter Flow Rate	Pipe Sizing					
						A	B	C	D	E	F
43,200	120	6.0	1/2	900	.133	3"	2"	2"	3"	2"	1 1/2"
64,800	180	6.0	3/4	900	.20	4"	2 1/2"	2"	3"	2 1/2"	2"
78,800	219	6.0	1	1,350	.16	4"	3"	2 1/2"	4"	2 1/2"	2"
91,800	255	6.0	1.5	1,350	.19	6"	3"	3"	4"	3"	2"
113,400	315	6.0	1.5	1,350	.233	6"	4"	3"	4"	3"	3"
124,200	345	6.0	2	1,350	.26	6"	4"	3"	6"	3"	3"
155,500	432	6.0	3	2,700	.16	6"	4"	4"	6"	4"	3"
167,400	465	6.0	5	2,700	.17	6"	6"	4"	8"	4"	3"
216,000	600	6.0	5	2,700	.22	8"	6"	4"	8"	4"	4"
324,000	900	6.0	7.5	4,050	.22	8"	6"	6"	8"	6"	4"
459,000	1,275	6.0	10	5,400	.24	10"	8"	6"	8"	6"	6"

ALL SUCTION PIPING SIZED AT 6 FPS OR BETTER.

ALL RETURN PIPING SIZED AT 8 FPS OR BETTER.

ALL PUMPS AVAILABLE IN SINGLE OR THREE PHASE.

PIPE SIZING BASED ON 35' RUNS OR LESS.

GALLONS PER MINUTE ARE BASED ON 60 FOOT OF HEAD.

FILTER FLOW RATES OF .375 OR LOWER ARE REQUIRED.

3 SYSTEM MANIFOLDS

3 SYSTEM MANIFOLDS

SUCTION MANIFOLD

RETURN MANIFOLD

TECHNICAL DATA

Gallons	Gallons Per Min.	Turn Over Rate.-Hrs.	Pump H.P.(4)	Filter Sq.Ft.	Filter Flow Rate	Pipe Sizing					
						A	B	C	D	E	F
57,600	160	6.0	1/2	1,200	.133	4"	2"	2"	3"	2"	2"
86,400	240	6.0	3/4	1,200	.20	4"	2 1/2"	2"	3"	3"	2"
105,120	292	6.0	1	1,800	.16	6"	3"	2 1/2"	4"	3"	2"
122,400	340	6.0	1.5	1,800	.19	6"	3"	2 1/2"	6"	3"	2"
151,200	420	6.0	1.5	1,800	.233	6"	3"	3"	6"	4"	2 1/2"
165,600	460	6.0	2	1,800	.26	6"	4"	3"	6"	4"	3"
207,360	576	6.0	3	3,600	.16	8"	4"	4"	8"	4"	3"
223,200	620	6.0	5	3,600	.17	8"	4"	4"	8"	4"	3"
288,000	800	6.0	5	5,400	.22	8"	6"	4"	8"	6"	4"
432,000	1,200	6.0	7.5	7,200	.22	10"	6"	6"	8"	6"	6"
612,000	1,700	6.0	10	10,800	.24	12"	8"	6"	10"	8"	6"

ALL SUCTION PIPING SIZED AT 6 FPS OR BETTER.

ALL RETURN PIPING SIZED AT 8 FPS OR BETTER.

ALL PUMPS AVAILABLE IN SINGLE OR THREE PHASE.

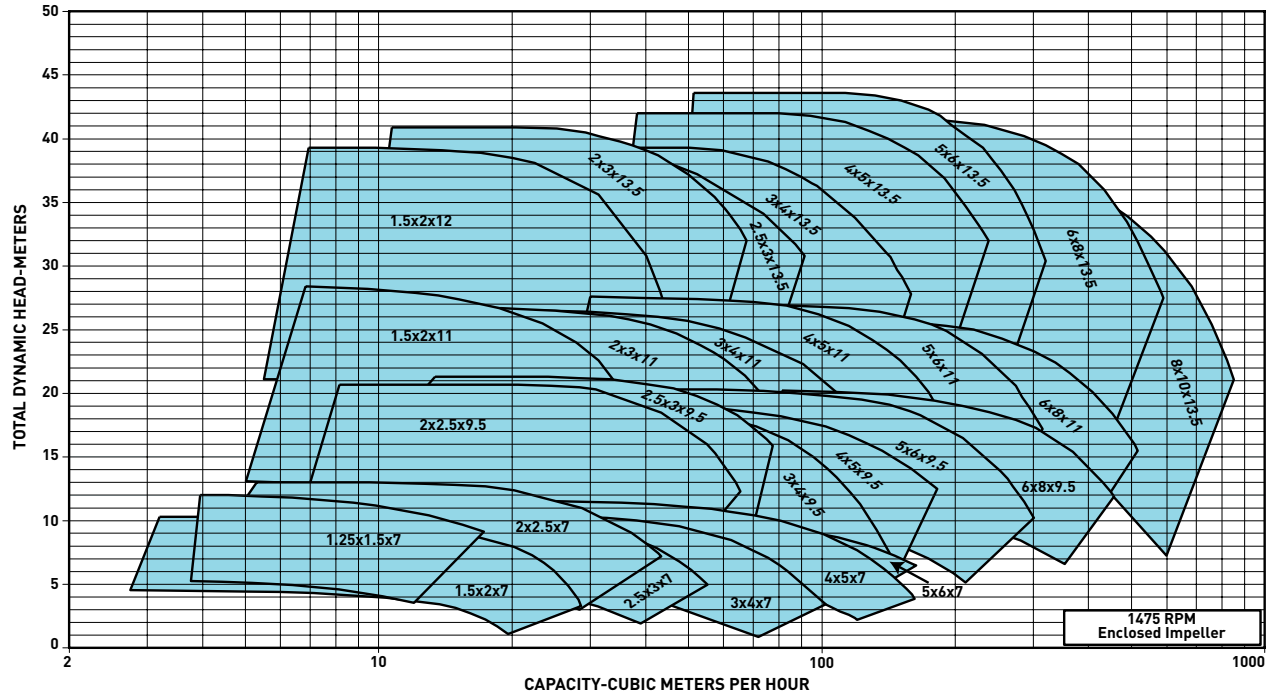
PIPE SIZING BASED ON 35' RUNS OR LESS.

GALLONS PER MINUTE ARE BASED ON 60 FOOT OF HEAD.

FILTER FLOW RATES OF .375 OR LOWER ARE REQUIRED.

ENGINEERING DATA

AURORA 3801 SERIES PUMP SELECTIONS



For assistance in selecting the proper pump, please contact our commercial sales team or technical support.

CONVERSION REFERENCE CHARTS

1 U.S. Gallon/Minute = 0.22712470704 Cubic Meter/Hour
1 U.S. Gallon/Minute = 0.83267418463 UK Gallon/Minute
1 Foot of Water/Head = 0.30487804878 Meter of Water/Head
1 Foot of Water/Head = 0.43352750193 Pound/Square Inch

Pressure to Head Conversion		
Feet of Water	Meters of Water	PSI
10	3.05	4.34
20	6.10	8.67
30	9.15	13.01
40	12.20	17.34
50	15.24	21.68
60	18.29	26.01
70	21.34	30.35
80	24.39	34.68
90	27.44	39.02
100	30.49	43.35
110	33.54	47.69
120	36.59	52.02
130	39.63	56.36
140	42.68	60.69
150	45.73	65.03

Volumetric Flow Rate Conversion		
US Gallons per Minute	Cubic Meters per Hour	British Gallons per Minute
10	2.27	8.33
20	4.54	16.65
30	6.81	24.98
40	9.09	33.31
50	11.36	41.64
60	13.63	49.96
70	15.90	58.29
80	18.17	66.62
90	20.44	74.94
100	22.71	83.27
110	24.98	91.60
120	27.26	99.92
130	29.53	108.25
140	31.80	116.58
150	34.07	124.91
160	36.34	133.23
170	38.61	141.56
180	40.88	149.89
190	43.15	158.21
200	45.43	166.54
210	47.70	174.87
220	49.97	183.19
230	52.24	191.52
240	54.51	199.85
250	56.78	208.18
260	59.05	216.50
270	61.32	224.83
280	63.60	233.16
290	65.87	241.48
300	68.14	249.81
310	70.41	258.14
320	72.68	266.46
330	74.95	274.79
340	77.22	283.12
350	79.49	291.45
360	81.77	299.77
370	84.04	308.10
380	86.31	316.43
390	88.58	324.75
400	90.85	333.08



PART NUMBER INDEX

INDEX

BY PRODUCT NUMBERS

P/N	pg no.	P/N	pg no.	P/N	pg no.	P/N	pg no.	P/N	pg no.
011057	132	11208	60	143484	26	18201-0200	171	263064	29, 35, 170
011059	150	11211	60	144272	26	18201-0200H	171	263068	169
011060	148	11212	60	144284	26	18201-0300	36, 171	263077	169
011511-INT	134	11213	60	144296	26	18202-0150	171	263078	171
011512-INT	134	11215	60	146400	30	18202-0150H	171	263079	29, 35, 170
011527-INT	134	11222	60	146402	30	18202-0250	171	263080	28, 29, 35, 170
011528-INT	134	11226	60	146403	30	188592	35	263081	170
011529-INT	134	11231	60	146404	30	188593	35	270100	35
011530-INT	134	11232	60	146405	30	188594	35	270119Z	169
011641	134	11240	60	146406	30	200063	92	274426	35
011642	134	11241	60	146407	30	200186	89	340013	111
011643	134	11242	60	146408	30	23910-1100S	36	340014	111, 113
011644	134	11243	60	146409	30	24750-0624	171	340016	111, 113
011651	114	11250	58, 60	147400	30	25021-0021	33	340017	111, 113
011656	114	11250-A	58, 60	147401	30	25021-0025	33	340018	111, 113
011657	114	11252	60	147402	30	25021-0200S	33	340019	110, 113
011658	114	11253	60	147403	30	25021-0202S	33	340020	110, 113
011659	114	11254	60	147404	30	25021-0223S	33	340021	110, 113
011660	114	11255	60	147405	30	25021-0224S	33	340022	110, 113
011661	114	11256	60	147406	30	25022-0201S	33	340023	110, 113
013004	146	11256-B	60	147407	30	25022-0203S	33	340024	110, 113
014884	115	11256-C	60	147408	30	25022-0224S	33	340026	111, 113
015583	134	11257	60	147409	30	25022-0225S	33	340027	111, 113
022017	128	11258	60	155700	27	25023-0160S	36	340028	111, 113
022018	128	11259	60	155701	27	25023-0172S	36	340029	111, 113
022019	128	11260	60	155702	27	261049	29, 35, 172	340030	110, 113
022032-INT	128	11261	60	155703	27	261050	28, 29, 35, 170	340031	110, 113
022033-INT	128	11270	60	155706	27	261055	28, 29, 35, 170	340032	110, 113
022034	128	11271	60	155720	27	261142	170	340033	110, 113
022035	126	11273	60	155721	27	261152	170	340034	110, 113
022056	130	11274	60	155722	27	261173	29, 35, 170	340035	110, 113
023017	138	11275	60	155723	27	261177	170	340045	113
023018	138	11276	60	155730	27	262507	170	340046	113
023019	138	11277	60	155800	27	262508	170	340047	113
023032-INT	138	11278	60	156100	27	262509	170	340048	113
023033-INT	138	11279	60	156150	27	262511	170	340049	113
023034	138	11285	60	156400	26	263010	28	340080	113
023035	136	11287	60	156450	26	263026	168	340081	113
023056	144	11289	60	156800	26	263027	168	340082	113
08417-0000	102	11305	60	159029	28	263028	168	340083	113
08417-0100	102	11306	60	159030	28	263029	168	340084	113
08417-0200	102	11343	60	159031	28	263035	168	340085	113
08650-1403	100	11420	58, 60	159032	28	263036	168	340086	113
08650-1404	100	11420-A	58, 60	160301	34	263037	168	340148	110, 113
08650-2403	100	11421	58, 60	160310	34	263038	168	340149	110, 113
08650-2404	100	11421-A	58, 60	160332	34	263042	168	340150	110, 113
08650-3403	100	11430	58, 60	160340	34	263042Z	168	340151	110, 113
08650-3403E	100	11430-A	58, 60	170145	33	263043	12	340155	111, 113
08650-3404	100	11480	58, 60	170146	33	263044	12	340156	111, 113
08650-3404E	100	140310	28	170147	33	263045	12	340157	111, 113
11201-0154	132, 134, 146	140315	28	170148	33	263047	168	340159	111, 113
11202	60	140316	28	178741	102	263053	36, 171	340237	110, 113
11204	60	140325	27	179133	34	263056	169	340238	110, 113
11205	60	140335	29	179134	34	263057	169	340604	110, 113
11206	60	140342	28	179135	34	263059	169	340605	110, 113
11207	60	143461	26	179136	34	263060	169	340606	110, 113

INDEX

BY PRODUCT NUMBERS

P/N	pg no.	P/N	pg no.	P/N	pg no.	P/N	pg no.	P/N	pg no.
340607	110, 113	400012	126, 128, 130,	516216	99	5CSPHK-143	120	602136	70
340608	110, 113		136, 138, 144	516220	99	5CSPHK3	121	602137	70
340609	110, 113	42001-0085S	53	516253	99	5CSPHK3-143	120	602138	70
340610	110, 113	45361000	76	516254	99	5CSPHL3	121	602155	71
340611	110, 113	45361500	75	516258	99	5CSPHL3-144	120	602157	71
345076	141	460738	53	516261	99	5CSPHM3	121	602158Z	71
345077	141	460741	53	516306	99	5CSPHM3-145	120	602165	71
345078	141	460742	53	516328	99	5P6R6D-209-INT	140	602167	71
345079	141	460755	53	516329	99	5P6R6D3-209-INT	141	618040	71
347916	114	460756	53	520556	163	5P6R6E-210-INT	140	619962	70, 71
347917	114	460763	51	520970	163	5P6R6E3-210-INT	141	619963	70, 71
347926-INT	134	460764	51	520971	163	5P6R6F-211-INT	140	620039	70
347927-INT	134	460767	51	520972	163	5P6R6F3-211-INT	141	620040	70
347928-INT	134	460768	51	520973	163	5P6R6G-212-INT	140	620041	70
347929-INT	134	460771	49	520974	163	5P6R6G3-212-INT	141	620093	70
347930-INT	134	460775	49	520975	163	5P6R6H-213-INT	140	620094	70
347935	115	460794	53	520976	163	5P6R6H3-213-INT	141	620314	70
347938	114	460795	53	520977	163	60028300	75, 76, 77	620428	71
347940	114	461000	49	520978	163	601100	68	620429	71
347941	114	461020	49	521005	163	601101	68	620430	71
347942	114	461021	49	521109	130, 132, 144,	601102	68	620457	71
347943	114	461031	53		146, 148, 150	601103	68	620459	71
347944	114	461062	53	521151	163	601104	68	620460	71
347945	114	461063	53	522104	10	601105	68	620463	71
347948	114	461100	53	522577	10	601106	68	640140	69
347950	116	461101	53	522578	10	601107	68	640141	69
347961	116	461102	53	523478	10	601108	68	640142	69
347963	114	461113	48	523492Z	10	601200	68	640143	69
347964	114	474845	53	523493	10	601201	68	640144	69
347967	115	474974	53	523494	10	601202	68	640150	69
348001	114	475002	53	542402	102	601203	68	640151	69
348150-INT	140	475612	48	542404	102	601204	68	640152	69
348151-INT	140	475971	48	542405	102	601205	68	640153	69
348152-INT	140	476072	48	542417	102	601206	68	650015	78
348153-INT	140	506160	99	542418	102	601207	68	650016	78
348185	140	506161	99	542419	102	601208	68	650017	78
350122	130, 132, 144,	506162	99	542423	102	601300	68	650018	78
	146, 148, 150	506300	98	542424	102	601301	68	650019	78
350250Z	132, 146	506301	98	560000	80	601302	68	670044	77
356196	141, 146	506302	98	560001	80	601303	68	67150	152
356198	132, 134, 148, 150	506304	98	560002	80	601304	68	67152	152
356324Z	126, 136	506308	98	560003	80	601305	68	68101-1	79
356904Z	130, 148, 150	506309	98	56400	72	601306	68	68102	79
356905Z	144, 146	506310	98	56401	72	601307	68	68103SS	79
357156	134, 148, 150	506361	98	56402	72	601308	68	77703-0100	33, 141
357212	111	506362	98	56403	72	602102	70	77703-0101	33, 141
357259	122	506363	98	56404	72	602103	70	77707-0076	52
357260	116, 122	506364	98	5CCSPHJ3-142	120	602104	70	77707-0077	52
357261	122	506365	98	5CCSPHK3-143	120	602105	70	77707-0086	52
357262	111, 116,	506370	98	5CCSPHL3-144	120	602106	70	77707-0087	52
	118, 120, 122	506380	98	5CCSPHM3-145	120	602107	70	77707-1411	53
357263	111, 116,	506381	98	5CSPHJ	121	602108	70	77707-1421	53
	118, 120, 122	506382	98	5CSPHJ-142	120	602131	71	77707-1431	53
360322	104	510327	99	5CSPHJ3	121	602132	71	77707-1441	53
360540	104	510332	99	5CSPHJ3-142	120	602134	71	77707-1451	53
		516215	99	5CSPHK	121	602135	71	77707-1461	53

INDEX

BY PRODUCT NUMBERS

P/N	pg no.	P/N	pg no.	P/N	pg no.	P/N	pg no.	P/N	pg no.
78210400	76	79110600	74	CCSPH2N3-145	118	MT0600IP09C1PC	44	MT1825EN09CBPN	44
78210500	76	79200255	76	CCSPHK-142	118	MT0600IP09C1PN	44	MT1825EP09CBPC	45
78210600	76	79206055	75	CCSPHK3-142	118	MT0715EN09CBPC	43	MT1825IN09CBPC	43
78210700	76	79206600	77	CCSPHL-143	118	MT0715EN09CBPN	44	MT1825IN09CBPN	43
78210701	76	79206700	77	CCSPHL3-143	118	MT0715EP09CBPC	45	MT1825IP09CBPC	44
78232400	76	79211600Z	76	CCSPHM3-144	118	MT0715EP09CBPN	45	MT1825IP09CBPN	45
78232401	76	79212111	74, 78	CCSPHN3-145	118	MT0715IN09C1PC	43	MT2000IN18CCAC	44
78232500	76	79212165	74, 78	CS400DP	27	MT0715IN09C1PN	43	MT2000IN18CCAN	44
78241202	75	79212200	78	CSPH2K3-142	118	MT0715IP09C1PC	44	MT2200EN18CCAC	44
78242200	75	79212211	78	CSPH2L3-143	118	MT0715IP09C1PN	44	MT2200EN18CCAN	44
78242202	75	79212265	78	CSPH2M3-144	118	MT0850EN09CBPC	43	MT2450IN18CCAC	44
78242300	75	79213100	74, 78	CSPH2N3-145	118	MT0850EN09CBPN	44	MT2450IN18CCAN	44
78243200	75	79213111	78	CSPHK-142	118	MT0850EP09CBPC	45	MT2800EN18CCAC	44
78243300	75	84420500	96	CSPHK3-142	118	MT0850EP09CBPN	45	MT2800EN18CCAN	44
78244200	75	84420505	96	CSPHL-143	118	MT0850IN09C1PC	43	MT3050IN18CCAC	44
78244202	75	84420530	96	CSPHL3-143	118	MT0850IN09C1PN	43	MT3050IN18CCAN	44
78244300	75	84420535	96	CSPHM3-144	118	MT0850IP09C1PC	44	MT3200EN18CCAC	44
78310500	78	84420600	96	CSPHN3-145	118	MT0850IP09C1PN	44	MT3200EN18CCAN	44
78310600	78	84420605	96			MT0999EN09CBPC	43	MT3500IN18CCAC	44
78310700	78	84420630	96			MT0999EN09CBPN	44	MT3500IN18CCAN	44
78411100	73	84420635	96	D					
78415100	73	85000400	96	DHH-169	125	MT0999EP09CBPC	45	MT3600EN18CCAC	44
78418100	73	85000411	96	DHH3-169	124, 125	MT0999EP09CBPN	45	MT3600EN18CCAN	44
78421100	73	85001900	96	DHJ-170	125	MT0999IN09C1PC	43	MT4000EN18CCAC	44
78428100	73	85002300	96	DHJ3-170	124	MT0999IN09C1PN	43	MT4000EN18CCAN	44
78431100	74	85007400	96	DHJ3-172	125	MT0999IP09C1PC	44	MT4050IN18CCAC	44
78435100	74	85007411	96	DMH-171	125	MT0999IP09C1PN	45	MT4050IN18CCAN	44
78438100	74	85007413	96	DMH3-171	124, 125	MT1010EN09CBPC	43	MT4500EN18CCAC	44
78441100	73	85007430	96	DMJ-172	125	MT1010EN09CBPN	44	MT4500EN18CCAN	44
78444200	74	85018000	96	DMJ3-172	124, 125	MT1010EP09CBPC	45	MT4500IN18CCAC	44
78447100	73	87204600	96			MT1010IN09C1PC	43	MT4500IN18CCAN	44
78448100	73			E		MT1010IN09C1PN	43	MT5000IN18CCAC	44
78448200	74			ES03	11	MT1010IP09C1PC	44	MT5000IN18CCAN	44
78449100	73	B				MT1010IP09C1PN	45		
78451100	73	B4110	27	L		MT1200EN09CBPC	43		
78453102	74	B4221KIT	27	LDF451B	95	MT1200EN09CBPN	44	P	
78454200	74	B71943S	123	LDF452B	95	MT1200EP09CBPC	45	P104-1	163
78456300	73	B71945S	123	LDF461T	95	MT1200IN09C1PC	43	P8E6C-204L-INT	140
78457100	73	B71947S	123	LDF462T	95	MT1200IN09C1PN	43	P8E6D-205L-INT	140
78458100	73	B71949S	123	LX802	11	MT1200IP09C1PC	44	P8EGH36-209	141
78458200	74	B74945	123	LX8202	11	MT1200IP09C1PN	45	P8EA6D36-204	141
78458300	73	B75861	123			MT1430EN09CBPC	43	P8EA6E36-205	141
78459100	73	B76775	123	M		MT1430EN09CBPN	44	P8EA6F36-206	141
78900100	74, 78	B76786	123	MT0500EN09CBPC	43	MT1430EP09CBPC	45	P8EA6G36-207	141
78900700	78			MT0500EN09CBPN	43	MT1430IN09C1PC	43	PA2156F	15
78900800	78			MT0500EP09CBPC	45	MT1430IN09C1PN	43	PA2206F	15
78900900	78	CA0001000	40	MT0500EP09CBPN	45	MT1430IP09C1PC	44	PCD-1000	154
78927000	73	CA000800	40	MT0500IN09C1PC	43	MT1430IP09C1PN	44	PKG 115	153
78927900	73	CA000900	40	MT0500IN09C1PN	43	MT1430IP09C1PN	45	PKG 161	153
78928500	73	CA001100	40	MT0500IP09C1PC	44	MT1670EN09CBPC	43	PKG 184	118, 120, 153
78949100	73	CA001200	40	MT0500IP09C1PN	44	MT1670EN09CBPN	44	PKG 184C	118, 120, 153
78950100	74	CA001300	40	MT0600EN09CBPC	43	MT1670EP09CBPC	45	PKG 188Z	33, 36, 53, 141
78958500	74	CCSPH2K3-142	118	MT0600EN09CBPN	44	MT1670IN09CBPC	43	PKG 189	33, 36, 141
79100100	74	CCSPH2L3-143	118	MT0600EP09CBPC	45	MT1670IN09CBPN	43	PKG 51	153
79100200	74	CCSPH2M3-144	118	MT0600EP09CBPN	45	MT1670IP09CBPC	44	PKG 52	153
				MT0600IN09C1PC	43	MT1670IP09CBPN	45	PKG 53	153
				MT0600IN09C1PN	43	MT1825EN09CBPC	43	PKG 56	153

INDEX

BY PRODUCT NUMBERS

P/N	pg no.	P/N	pg no.	P/N	pg no.	P/N	pg no.	P/N	pg no.
PKG 72	153	R111584	84	R171016	164	R233900	89		
PKG 73	153	R111616	84	R171022	164	R234000	89		
PKG 76	153	R111626	84	R171026	164	R234100	89		
PKG 98	153	R111646	84	R171056	164	R234200	89		
PM0500NACC3BXN	40	R121026	85	R171066	164	R234500	89		
PM0500NACC3PXN	40	R121106	85	R171070	164	R234700	89		
PM0500PACC3BXN	40	R121126	85	R171096	164	R234800	89		
PM0500PACC3PXN	40	R121166	85	R171215	164	R234900	89		
PM0750NACC3BXN	40	R121186	85	R171218	164	R235100	89		
PM0750NACC3PXN	40	R121196	85	R171230	164	R235200	89		
PM0750PACC3BXN	40	R121216	85	R171240	164	R235300	89		
PM0750PACC3PXN	40	R121230	85	R181016	86	R500012	84		
PM1000NACC3BXN	40	R121232	85	R181026	86	R500013	84		
PM1000NACC3PXN	40	R131016	87	R181046	86	RCS1	11		
PM1000PACC3BXN	40	R131020	87	R181086	86	RLYLX	11		
PM1000PACC3PXN	40	R131021	87	R181096	86	RLYLX3HP	11		
PM1250NACC3BXN	40	R131037	87	R181156	86	RLYSC	11		
PM1250NACC3PXN	40	R131046	87	R181200	86	RLYSC3HP	11		
PM1250PACC3BXN	40	R131048	87	R181206	86	RYALX	11		
PM1250PACC3PXN	40	R131066	87	R181216	86				
PM1500NACC3BXN	40	R131074	87	R181226	86	S			
PM1500NACC3PXN	40	R131075	87	R181268	86	S7M120	32		
PM1500PACC3BXN	40	R131076	87	R181269	86	S7M400	32		
PM1500PACC3PXN	40	R131078	87	R181416	86	S7MD60	36		
PM1750NACC3BXN	40	R131079	87	R181436	86	S7MD72	36		
PM1750NACC3PXN	40	R131106	87	R181446	86	S8M150	32		
PM1750PACC3BXN	40	R131146	87	R181486	86	S8M500	32		
PM1750PACC3PXN	40	R131147	87	R191088	88				
PM2000NACC3BXN	40	R131148A	87	R191090	88	T			
PM2000NACC3PXN	40	R131155	87	R191091	88	T40BBE	103		
PM2000PACC3BXN	40	R131204	87	R191092	88	T40BBK	103		
PM2000PACC3PXN	40	R131256A	87	R191095	88	T40BDG	103		
PS10X10	152	R131316	87	R191101	88	T40BG	103		
PS10X5E	152	R131360	87	R191104	88	T40BW	103		
PS10X6E	152	R131371	87	R201126	94	T40FB	103		
PS10X8E	152	R131388	87	R201276	94	T40FBK	103		
PS6X3E	152	R131398	87	R201286	94	T40FDG	103		
PS6X4E	152	R131404	87	R201296	94	T40FG	103		
PS6X5E	152	R131410	87	R201298	94	T40FNB	103		
PS6X6	152	R131418	87	R221026	86	T40FNBK	103		
PS8X4E	152	R131442	87	R221030	86	T40FNDG	103		
PS8X5E	152	R131448	87	R221056	86	T40FNG	103		
PS8X6E	152	R151076	92	R230200	89	T40FNW	103		
PS8X8	152	R151082	92	R230300	89	T40FW	103		
		R151083	92	R230400	89				
	R	R151186	92	R230500	89	U			
RO6017	86	R151190	92	R230800	89	U11-197P	53		
R111046	84	R151196	92	R230900	89				
R111316	84	R151201	92	R231100	89	Z			
R111342	84	R151226	93	R231200	89	ZBR46760	154		
R111358	84	R151246	92	R231400	89				
R111366	84	R151248	92	R231700	89				
R111386	84	R151276	93	R232600	89				
R111556	84	R151306	93	R233700	89				
R111560	84	R151716	93	R233800	89				



WHISPERFLOXF[®] VS VARIABLE SPEED COMMERCIAL PUMP

Get up to speed with savings

Energy-efficient commercial pool pumps

Get performance that will help reduce expenses and produce better flow. The WhisperFloXF VS Commercial Pump provides sophisticated, energy-savings pump technology without the high costs.

- Speed and flow control for the best efficiency and performance
- May save thousands of dollars over a pump's life*
- Department of Energy (DOE) compliant pump runs on single or three-phase power
- ENERGY STAR[®] Certified

800.831.7133

pentair.com/whisperfloxfvs

Scan the QR code to go now



*Actual savings may vary based on local utility rates, pool size, run time, pump rpm, plumbing size/length and service and other hydraulic factors. Example reflects savings for an avg. 30,000 gallon commercial pool operating 24hrs/day at a flow rate sufficient to perform a min. 6hr turnover.



WHISPERFLOXF[®] VS
VARIABLE SPEED POOL PUMP



Path to Paradise

PARTNERS INCENTIVE PROGRAM

Our goal is to provide the most innovative products available, the strongest marketing tools, unmatched customer service and sales support that help you grow your business, and a spectacular incentive program.

Our Partners Incentive Program rewards your loyalty to Pentair with trips, merchandise, cash and other great incentives. The more you sell, the greater your reward. Maximize your incentives and earn even more by selling combinations of four or more product categories, including a select variety of commercial products.

