



EVERPURE® KLEENSTEAM® II SINGLE SYSTEM

EVERPURE'S SECOND GENERATION OF TOTAL WATER TREATMENT SYSTEM FOR STEAM APPLICATIONS

Kleensteam II Single System: EV9797-21
7CB5 Replacement Cartridge: Ev9618-11
SS-10 Cartridge: EV9799-02



APPLICATIONS

Commercial Steam
Foodservice Steamer
Combi Oven

FEATURES • BENEFITS

Sophisticated Hydroblend compound prevents limescale formation in high temperature steam applications

A total system delivering high quality filtered water with cleaning and deliming capabilities

Filters incoming water to improve the performance, maximize energy efficiency and increase the life of steam equipment

New dual cartridge design provides enhanced performance for low or high flow capacity steamers and flexibility for expanding to meet future needs

Reduces chlorine-induced corrosion

System is simple to install, operate and maintain

The Kleensteam II Single System is shipped with one 7CB5 Cartridge (for first filter head) and one filter head plug installed in the second filter head; capacity is expandable by adding a second 7CB5 Cartridge

Longer lasting SS-10 Cartridge is more effective in higher alkalinity/hardness/TDS/temperature installations

ScaleStick is NSF® Certified under NSF/ANSI Standard 42 for materials

Easy deliming with Everpure ScaleKleen, which is fed directly into the boiler through the SR-X Bowl without use of hazardous chemicals or special piping

INSTALLATION TIPS

Choose a mounting location suitable to support the full weight of the system when operating.

Use minimum 1/2" inlet water line (3/4" preferred).

Connect the system to the boiler water only. Do not connect system to the condenser.

Install vertically with cartridges hanging down.

Allow 2 1/2" (6.35 cm) clearance below the cartridge for easy cartridge replacement.

Flush cartridges by running water through system for five (5) minutes at full flow.

OPERATION TIPS

Change 7CB5 Cartridge on a regular six (6) month preventative maintenance program, when capacity is reached or when pressure falls below 10 psi (0.7 bar).

Change SS-10 Cartridge before Hydroblend™ compound is completely used up.

Service flow rate must not exceed 2.5 gpm (9.46 Lpm) for single cartridge systems or 5.0 (18.92 Lpm) for dual cartridge systems.

Always flush the filter cartridge at time of installation and cartridge change.

Use for periodic deliming as needed by installing the dip tube assembly in place of the SS-10 and dissolving ScaleKleen in SR-X Housing. Full deliming instructions are provided with the system.

SIZING

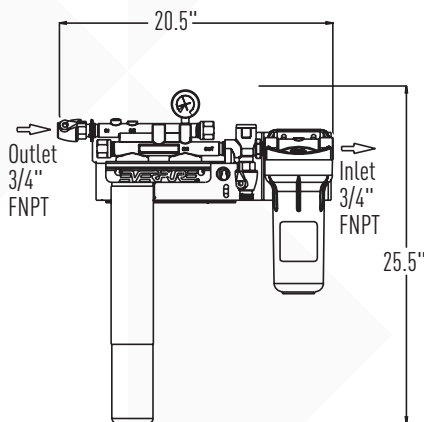
Service Flow Rate:

Maximum 2.5 gpm (9.5 Lpm) single cartridge

Maximum 5.0 gpm (18.9 Lpm) dual cartridge

EVERPURE® KLEENSTEAM® II SINGLE SYSTEM

EV9797-21



The contaminants or other substances removed or reduced by this drinking water system are not necessarily in your water. Do not use with water that is microbiologically unsafe or of unknown quality without adequate disinfection before or after the system.

SPECIFICATIONS

Service Flow Rate

Maximum 2.5 gpm (9.5 Lpm) single cartridge

Maximum 5.0 gpm (18.9 Lpm) dual cartridge

Pressure Requirements

10 - 125 psi (0.7 - 8.6 bar), non-shock

Maximum Water Temperature at Inlet

100°F (38°C)

Overall Dimensions

25.5" H x 20.5" W x 7" D
(64.7 cm x 52.0 cm x 17.7 cm)

Inlet Connection

3/4" FNPT

Outlet Connection

3/4" FNPT

Operating Weight

32 lbs (14.5 kgs)

Shipping Weight

26 lbs (11.7 kgs)

Electrical Connection

None required

Alkalinity Range

2 to 12 grains per gallon

WARRANTY

Everpure water treatment systems by Pentair® (excluding replaceable elements) are covered by a limited warranty against defects in material and workmanship for a period of five years after date of purchase. Everpure replaceable elements (filter cartridges and water treatment cartridges) are covered by a limited warranty against defects in material and workmanship for a period of one year after date of purchase. See printed warranty for details. Pentair will provide a copy of the warranty upon request.



WATER QUALITY SYSTEMS

EVERPURE-SHURFLO WORLD HEADQUARTERS, 1040 MUIRFIELD DRIVE, HANOVER PARK, IL 60133 USA • FOODSERVICE.PENTAIR.COM
800.942.1153 (US ONLY) • 630.307.3000 MAIN • 630.307.3030 FAX • CSEVERPURE@PENTAIR.COM EMAIL

EVERPURE-SHURFLO AUSTRALIA, 1-21 MONASH DRIVE, DANDENONG SOUTH, VIC 3175 AUSTRALIA
011.1300.576.190 TEL • 011.61.39.562.7237 FAX • AU.EVERPURE@PENTAIR.COM EMAIL

EVERPURE-SHURFLO CHINA, 21F CLOUD 9 PLAZA, NO 1118, SHANGHAI, 200052, CHINA
86.21.3211.4588 TEL • 86.21.3211.4580 FAX • CHINA.WATER@PENTAIR.COM EMAIL

EVERPURE-SHURFLO INDIA, GREEN BOULEVARD, B-9/A, 7TH FLOOR - TOWER B SECTOR 62, NOIDA - 201301
91.120.419.9444 TEL • 91.120.419.9400 FAX • INDIACUSTOMER@PENTAIR.COM EMAIL

EVERPURE-SHURFLO EUROPE, PENTAIR WATER BELGIUM BVBA, INDUSTRIEPARK WOLFSTEE, TOEKOMSTLAAN 30, B-2200 HERENTALS, BELGIUM
+32.(0).14.283.504 TEL • +32.(0).14.283.505 FAX • SALES@EVERPURE-EUROPE.COM EMAIL

EVERPURE-SHURFLO JAPAN INC., HASHIMOTO MN BLDG. 7F, 3-25-1 HASHIMOTO, MIDORI-KU, SAGAMIHARA-SHI KANAGAWA 252-0143, JAPAN
81.(0)42.775.3011 TEL • 81.(0)42.775.3015 FAX • INFO@EVERPURE.CO.JP EMAIL

EVERPURE-SHURFLO SOUTHEAST ASIA, 390 HAVELOCK ROAD, #04-01 KING'S CENTRE, SINGAPORE 169662
65.6768.5800 TEL • 65.6737.5149 FAX • CSEVERPURE@PENTAIR.COM EMAIL

All Pentair trademarks and logos are owned by Pentair, Inc. or its affiliates. All other registered and unregistered trademarks and logos are the property of their respective owners. Because we are continuously improving our products and services, Pentair reserves the right to change specifications without prior notice. Pentair is an equal opportunity employer.