

# EVERPURE® FC5-S FILTER CARTRIDGES

DELIVER PREMIUM QUALITY DRINKING WATER FOR ICE, STEAM AND COFFEE APPLICATIONS

4FC5-S Replacement Cartridge 1 PK: EV9693-31

7FC5-S Replacement Cartridge 1 PK: EV9693-71



## APPLICATIONS

Ice	Combi ovens
Steam ovens	Coffee

## FEATURES • BENEFITS

Compatible with Insurice®, Insurice PF, QC7I, QL2, QL3B and QL3 Heads

New Fibredyne™ II media with AgION® antimicrobial protection inhibits any potential bacterial growth

Sanitary cartridge replacement is simple, quick and clean. Internal filter parts are never exposed to handling or contamination

NSF® Certified under NSF/ANSI Standard 42 Increased capacity for extended reduction of chemical and mechanical contaminants

Balanced cartridge for optimum performance in varying water qualities

Integrated beaded phosphate with levels specifically selected for greater life and scale inhibition

Reduces chlorine taste and odor and other offensive contaminants that can adversely affect the taste of beverages

Improves the taste of fountain beverages and helps retain the drink's carbonation

Reduces dirt and particles as small as five (5) microns in size

Protects drink system seals, pump, tubing and small orifices from clogging, corrosion and abrasive wear

## INSTALLATION TIPS

Install vertically so cartridge hangs down  
Allow 2-1/2" (6.3 cm) clearance below the cartridge for easy cartridge replacement

Flush cartridge by running water through system for five (5) minutes at full flow

## OPERATION TIPS

Change cartridges on a regular six (6) month preventative maintenance program

Change cartridges when capacity is reached or when pressure falls below 10 psi (0.6 bar)

Always flush the filter cartridge at time of installation and cartridge change

## SIZING

Service Flow Rate: 2.5 gpm (9.5 Lpm)

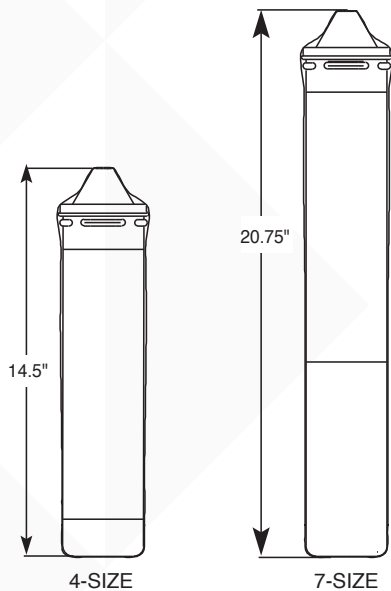
Capacity

4FC5-S: 15,000 gallons (56,781 L)

7FC5-S: 25,000 gallons (94,635 L)

# EVERPURE® FC5-S FILTER CARTRIDGES

EV9693-31 • EV9693 -71



## SPECIFICATIONS

### Overall Dimensions

4FC5-S: 14.5" L x 3.25" dia (36.8 x 8.3 cm)  
7FC5-S: 20.7" L x 3.25" dia (52.7 x 8.3 cm)

### Capacity

4FC5-S: 15,000 gallons (56,781 L)  
7FC5-S: 25,000 gallons (94,635 L)

### Service Flow Rate

2.5 gpm (9.5 Lpm)

### Pressure Requirements

10 - 125 psi (0.7 - 8.6 bar), non-shock

### Temperature

35 - 100°F (2 - 38°C)

### Electrical Connection

None required



System Tested and Certified by NSF International against NSF/ANSI Standard 42 for the reduction of:

Std. No. 42-  
Aesthetic effects  
Bacteriostatic Effects  
Chemical Reduction  
Taste & Odor  
Chlorine

Mechanical Filtration  
Nominal Particulate Class III

## WARRANTY

Everpure by Pentair® water treatment systems (excluding replaceable elements) are covered by a limited warranty against defects in material and workmanship for a period of five years after date of purchase. Everpure replaceable elements (filter cartridges and water treatment cartridges) are covered by a limited warranty against defects in material and workmanship for a period of one year after date of purchase. See printed warranty for details. Pentair will provide a copy of the warranty upon request.



### FILTRATION & PROCESSING SOLUTIONS

EVERPURE-SHURFLO WORLD HEADQUARTERS, 1040 MUIRFIELD DRIVE, HANOVER PARK, IL 60133 USA • WWW.EVERPURE.COM  
800.942.1153 MAIN (US ONLY) • 630.307.3000 MAIN • 630.307.3030 FAX • CSEVERPURE@PENTAIR.COM EMAIL

EVERPURE-SHURFLO AUSTRALIA / NEW ZEALAND, 1-21 MONASH DRIVE, DANDENONG SOUTH, VIC, 3175, AUSTRALIA  
1300.576.190 TEL • AU.EVERPURE@PENTAIR.COM EMAIL

EVERPURE-SHURFLO CHINA, 21F CLOUD 9 PLAZA, NO 1118, SHANGHAI, 200052, CHINA  
86.21.3211.4588 TEL • 86.21.3211.4580 FAX • CHINA.WATER@PENTAIR.COM EMAIL

EVERPURE-SHURFLO INDIA, GREEN BOULEVARD, B-9/A, 7TH FLOOR - TOWER B SECTOR 62, NOIDA - 201301  
91.120.419.9444 TEL • 91.120.419.9400 FAX • INDIACUSTOMER@PENTAIR.COM EMAIL

EVERPURE-SHURFLO EUROPE, PENTAIR WATER BELGIUM BVBA, INDUSTRIEPARK WOLFSTEE, TOEKOMSTLAAN, 30 B-2200 HERENTALS, BELGIUM  
+32.(0).14.283.500 TEL • +32.(0).14.283.505 FAX • SALES@EVERPURE-EUROPE.COM EMAIL

EVERPURE-SHURFLO JAPAN INC., HASHIMOTO MN BLDG. 7F, 3-25-1 HASHIMOTO, MIDORI-KU, SAGAMIHARA-SHI KANAGAWA 252-0143, JAPAN  
81.(0)42.775.3011 TEL • 81.(0)42.775.3015 FAX • INFO@EVERPURE.CO.JP EMAIL

EVERPURE-SHURFLO SOUTHEAST ASIA, 390 HAVELOCK ROAD, #04-01, KING'S CENTRE, SINGAPORE 169662  
65.6795.2213 TEL • FAX: 65.6795.2219 FAX • CSEVERPURE@PENTAIR.COM EMAIL

All Pentair trademarks and logos are owned by Pentair, Inc. All other brand or product names are trademarks or registered marks of their respective owners. Because we are continuously improving our products and services, Pentair reserves the right to change specifications without prior notice. Pentair is an equal opportunity employer.