

INSURICE® TRIPLE - i4000² SYSTEM

DELIVERS QUALITY WATER FOR ICE APPLICATIONS

Insurice Triple-i4000² System: EV9325-03
i4000² Replacement Cartridge: EV9612-32



APPLICATIONS

- ◆ Ice machines
 - Higher volume, higher flow, higher capacity ice machines

FEATURES • BENEFITS

- ◆ Reduces water-related ice machine maintenance and downtime caused by scale buildup from dirt and dissolved minerals*
- ◆ Easy, sanitary, quick-change filter replacement
- ◆ Reduces scale* and clogging of distribution lines, evaporator plate and pump
- ◆ Exclusive precoat filtration provides superior chlorine taste & odor reduction and micro-filters dirt and particles as small as 0.2[†] microns in size by mechanical means
- ◆ Reduces particulates, chloramines, and chlorine taste and odors that can adversely affect the taste of beverages
- ◆ Proprietary Pentair™ Everpure™ Micro-Pure® II filtration media effectively inhibits the growth of bacteria on the filter media that can decrease product life
- ◆ Self-contained scale inhibitor feed keeps ice machines functioning at full capacity*
- ◆ Manifold features a water shutoff, flushing valve and outlet pressure gauge
- ◆ NSF/ANSI Standard 53 certified to reduce cysts such as *Cryptosporidium* and *Giardia* by mechanical means

INSTALLATION TIPS

- ◆ Choose a mounting location suitable to support the full weight of the system when operating.
- ◆ Never use a saddle valve for connection.
- ◆ Use 3/4" water line.
- ◆ Do not connect system to water-cooled condenser.
- ◆ Install vertically with cartridges hanging down. Allow 2 1/2" (6.35 cm) clearance below the cartridge for easy cartridge replacement.
- ◆ Flush cartridges by running water through system for five (5) minutes at full flow.

OPERATION TIPS

- ◆ Change cartridges on a regular six (6) month preventative maintenance program.
- ◆ Change cartridges when capacity is reached or when pressure falls below 10 psi (0.7 bar).
- ◆ Service flow rate must not exceed 5 gpm (18.9 Lpm).
- ◆ Always flush the filter cartridge at time of installation and cartridge change.

SIZING

- ◆ Service Flow Rate:
Maximum 5 gpm (18.9 Lpm)
- ◆ Capacity: 36,000 gallons (136,247 L)

* As tested by Pentair.

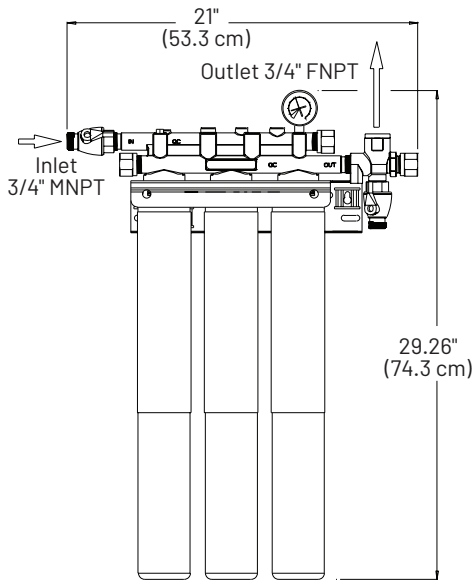
† Validated by ISO 17025 accredited lab for 99.999% reduction of *Pseudomonas diminuta* following the ASTM F838-05 protocol for the validation of 0.2 µm sterilizing grade filters.

EPA Est. No. 002623-IL-002

INSURICE® TRIPLE - i4000² SYSTEM

EV9325-03

Insurice Triple-i4000² System: EV9325-03
i4000² Replacement Cartridge: EV9612-32



SPECIFICATIONS

- ◆ **Service Flow Rate**
Maximum 5 gpm (18.9 Lpm)
- ◆ **Rated Capacity**
36,000 gallons (136,247 L)
- ◆ **Pressure Requirements**
10 - 125 psi (0.7 - 8.6 bar), non-shock
- ◆ **Temperature**
35 - 100°F (2 - 38°C)
- ◆ **Overall Dimensions**
29.26" H x 21" W x 5.5" D
(74.3 x 53.3 x 13.9 cm)
- ◆ **Inlet Connection**
Inlet Connection: 3/4"
- ◆ **Outlet Connection**
Outlet Connection: 3/4"
- ◆ **Operating Weight**
28 lbs. (12.7 kg)
- ◆ **Shipping Weight**
18 lbs. (8.1 kg)
- ◆ **Electrical Connection**
None required

The contaminants or other substances removed or reduced by this drinking water system are not necessarily in your water. Do not use with water that is microbiologically unsafe or of unknown quality without adequate disinfection before or after the system.

Since the conditions under which our products may be used are beyond our control, we cannot accept any liability with respect to the improper installation, application and/or use of our products.

For Pentair Everpure Product Warranties visit:
<http://pentair.com/assets/foodservice-warranty>



System Tested and Certified by NSF International against NSF/ ANSI Standards 42 and 53 for the reduction of:

STANDARD NO. 42 –
AESTHETIC EFFECTS

Chemical Reduction
Taste & Odor
Chlorine

Mechanical Filtration
Nominal Particulate Class I

STANDARD NO. 53 –
HEALTH EFFECTS

Mechanical Filtration
Cyst



United States | 1040 Muirfield Drive | Hanover Park, IL 60133 | 800.942.1153 (US Only) 630.307.3000 Main | cseverpure@pentair.com | foodservice.pentair.com

Australia | 1-21 Monash Drive | Dandenong South, Vic 3175 | Australia | 011.1300.576.190 Tel | au.everpure@pentair.com

China | 21F Cloud 9 Plaza, NO 1118 | Shanghai, 200052 | China | 86.21.3211.4588 Tel | china.water@pentair.com

India | Boulevard, B-9/A, 7th Floor - Tower B Sector 62 | Noida - 201301 | 91.120.419.9444 Tel | indiacustomer@pentair.com

Europe | Pentair Water Belgium BVBA | Industriepark Wolfstee, Toekomstlaan 30, B-2200 Herentals | Belgium | +32.(0).14.283.504 Tel | sales@everpure-europe.com

Japan | Japan Inc. | Hashimoto MN Bldg. 7F, | 3-25-1 Hashimoto, Midori-ku, Sagami-hara-shi | Kanagawa 252-0143 | Japan | 81.(0)42.775.3011 Tel | info@everpure.co.jp

Southeast Asia | 390 Havelock Road, | #04-01 King's Centre | Singapore 169662 | 65.6768.5800 Tel | cseverpure@pentair.com

All indicated Pentair trademarks and logos are property of Pentair. Third party registered and unregistered trademarks and logos are the property of their respective owners.